



US00D720000S

(12) **United States Design Patent**
Lyons et al.

(10) **Patent No.:** **US D720,000 S**

(45) **Date of Patent:** **** Dec. 23, 2014**

(54) **POINT-OF-SALE STAND**

(71) Applicant: **First Data Corporation**, Greenwood Village, CO (US)

(72) Inventors: **David Frederick Lyons**, Palo Alto, CA (US); **Christopher Loew**, Palo Alto, CA (US); **Lynette Ross**, Mountain View, CA (US); **Leonard Speiser**, Mountain View, CA (US); **John Beatty**, Mountain View, CA (US); **Eric Fuhs**, Mountain View, CA (US)

(73) Assignee: **First Data Corporation**, Greenwood Village, CO (US)

(**) Term: **14 Years**

(21) Appl. No.: **29/469,374**

(22) Filed: **Oct. 9, 2013**

(51) **LOC (10) Cl.** **18-01**

(52) **U.S. Cl.**
USPC **D18/4.5**

(58) **Field of Classification Search**
USPC D14/218, 336, 341–347, 371–376, 387;
D18/1–12, 12.1–12.3; D21/324, 325,
D21/332, 512; D99/28, 34–36, 43; 235/1 E,
235/2, 7 R, 12, 22, 33, 52, 58 R, 59 A,
235/59 BC–59 BH, 59 CP, 59 T, 59 TP, 61 R;
705/12, 15–18, 43; 708/100, 105, 130;
D16/242, 244, 245; 248/162.1, 166,
248/168, 169–171, 187.1, 188.6
See application file for complete search history.

(56) **References Cited**

U.S. PATENT DOCUMENTS

D314,564 S * 2/1991 Grundstrom et al. D14/375
D317,912 S * 7/1991 Takai D14/375
D349,489 S * 8/1994 Wang D14/375

D359,952 S * 7/1995 Cox et al. D18/4.5
D363,467 S * 10/1995 Takahashi D14/336
D508,519 S * 8/2005 Kuramochi et al. D18/4.1
D526,002 S * 8/2006 Nakajima et al. D18/4.5
D542,834 S * 5/2007 Ando et al. D18/4.6

(Continued)

Primary Examiner — Susan Bennett Hattan

Assistant Examiner — Ethiene Salgado-Rodriguez

(74) *Attorney, Agent, or Firm* — Sutherland Asbill & Brennan LLP

(57) **CLAIM**

The ornamental design for a point-of-sale stand, as shown and described.

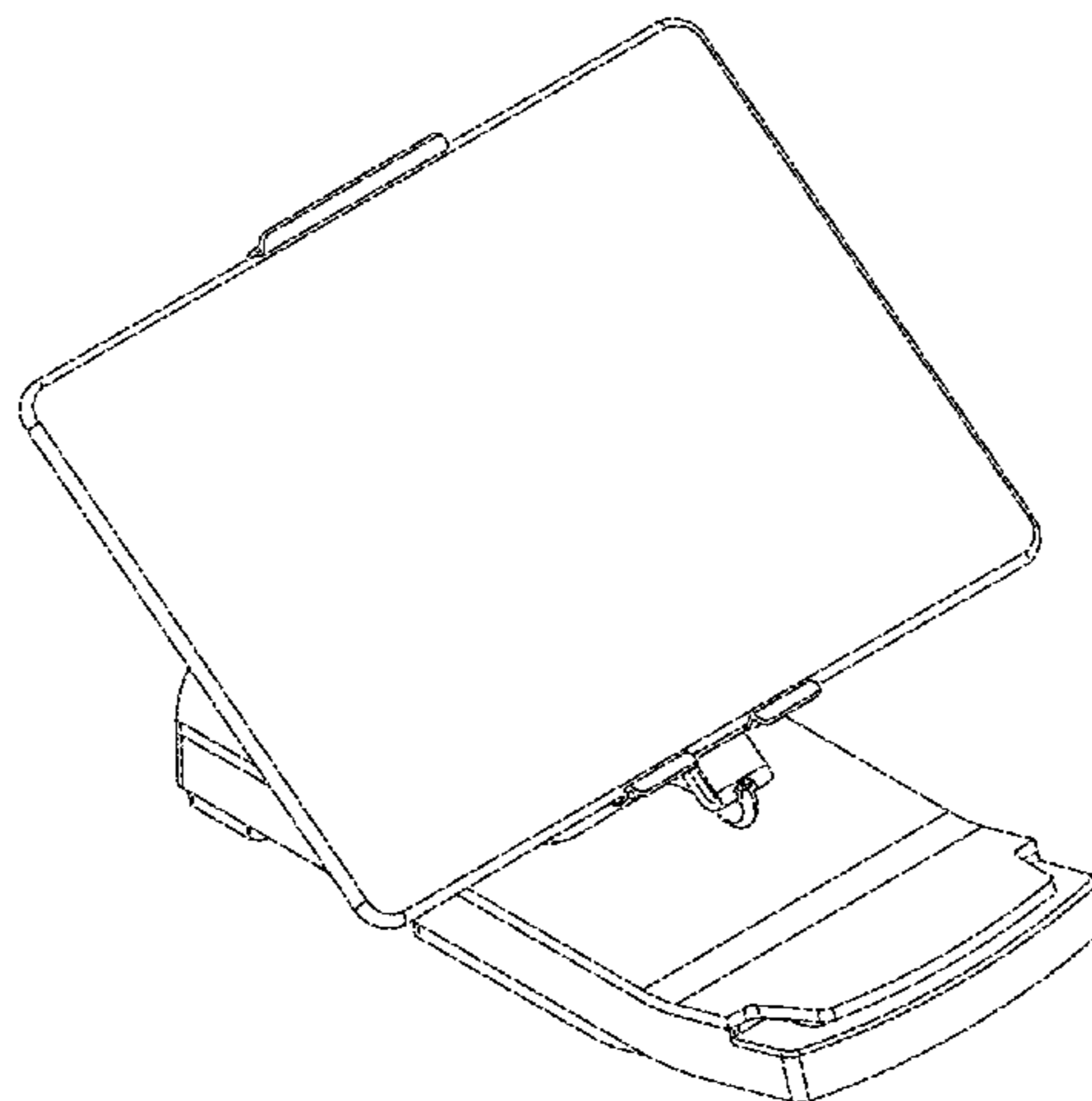
DESCRIPTION

FIG. 1 is a right elevational view of a point-of-sale stand; FIG. 2 is a top plan thereof; FIG. 3 is a front view thereof; FIG. 4 is a rear view thereof; FIG. 5 is a right side view thereof; FIG. 6 is a left side view thereof; FIG. 7 is a right-bottom perspective view thereof; and FIG. 8 is a bottom plan view thereof. FIG. 9 is a right elevational view of the point-of-sale stand in an alternate position; FIG. 10 is a top plan thereof; FIG. 11 is a front view thereof; FIG. 12 is a rear view thereof; FIG. 13 is a right side view thereof; FIG. 14 is a left side view thereof; FIG. 15 is a right-bottom perspective view thereof; and, FIG. 16 is a bottom plan view thereof.

The claimed point-of-sale stand is used to process transactions.

The broken lines in the figures are for the purpose of illustrating portions of the point of sale stand that form no part of the claimed design.

1 Claim, 16 Drawing Sheets



US D720,000 S

Page 2

(56)

References Cited

D687,484 S * 8/2013 Eun D18/4.6
D689,126 S * 9/2013 Eun D18/4.6

U.S. PATENT DOCUMENTS

D544,028 S * 6/2007 Hanafusa et al. D18/4.4 * cited by examiner

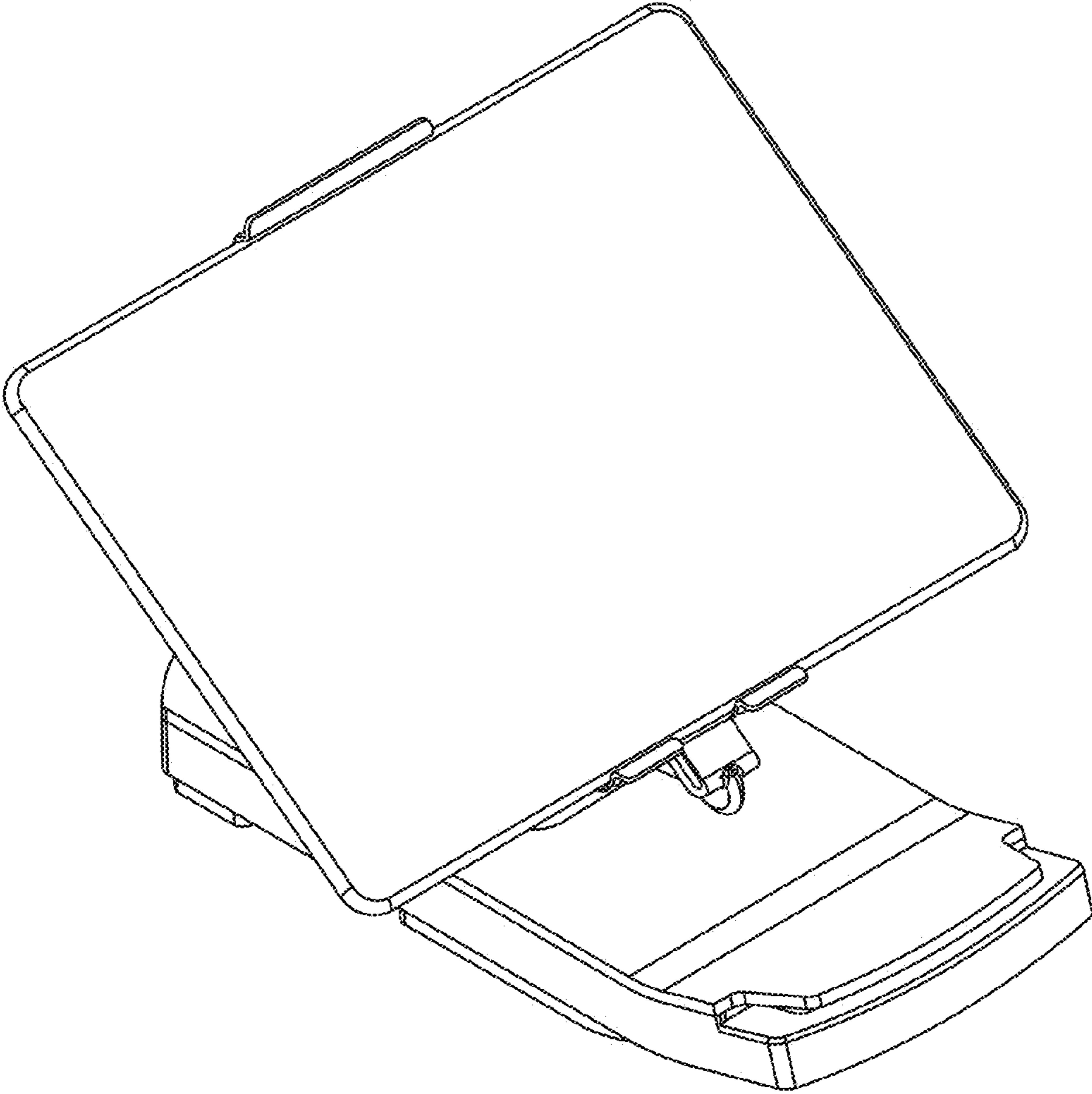


FIG. 1

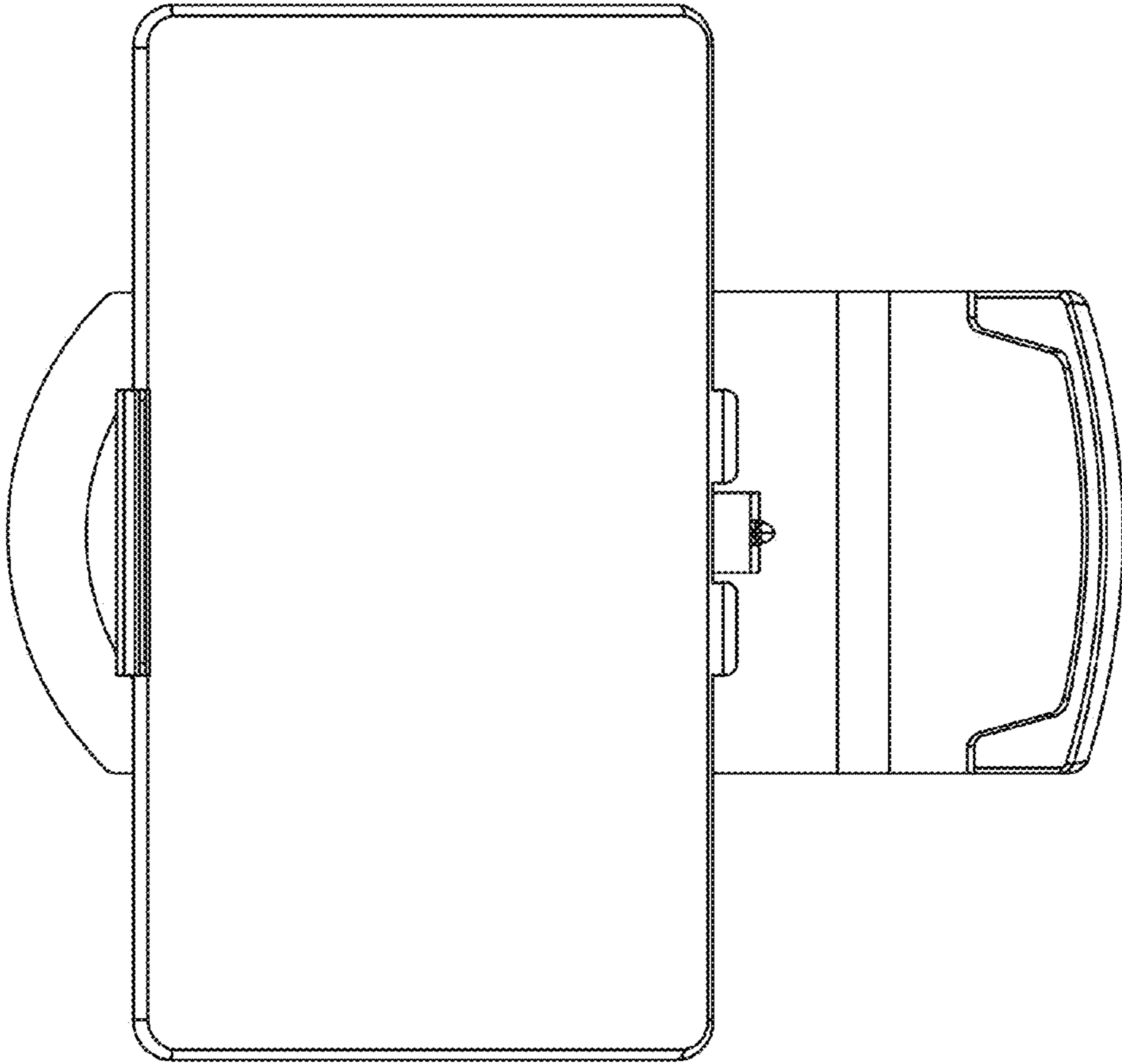


FIG. 2

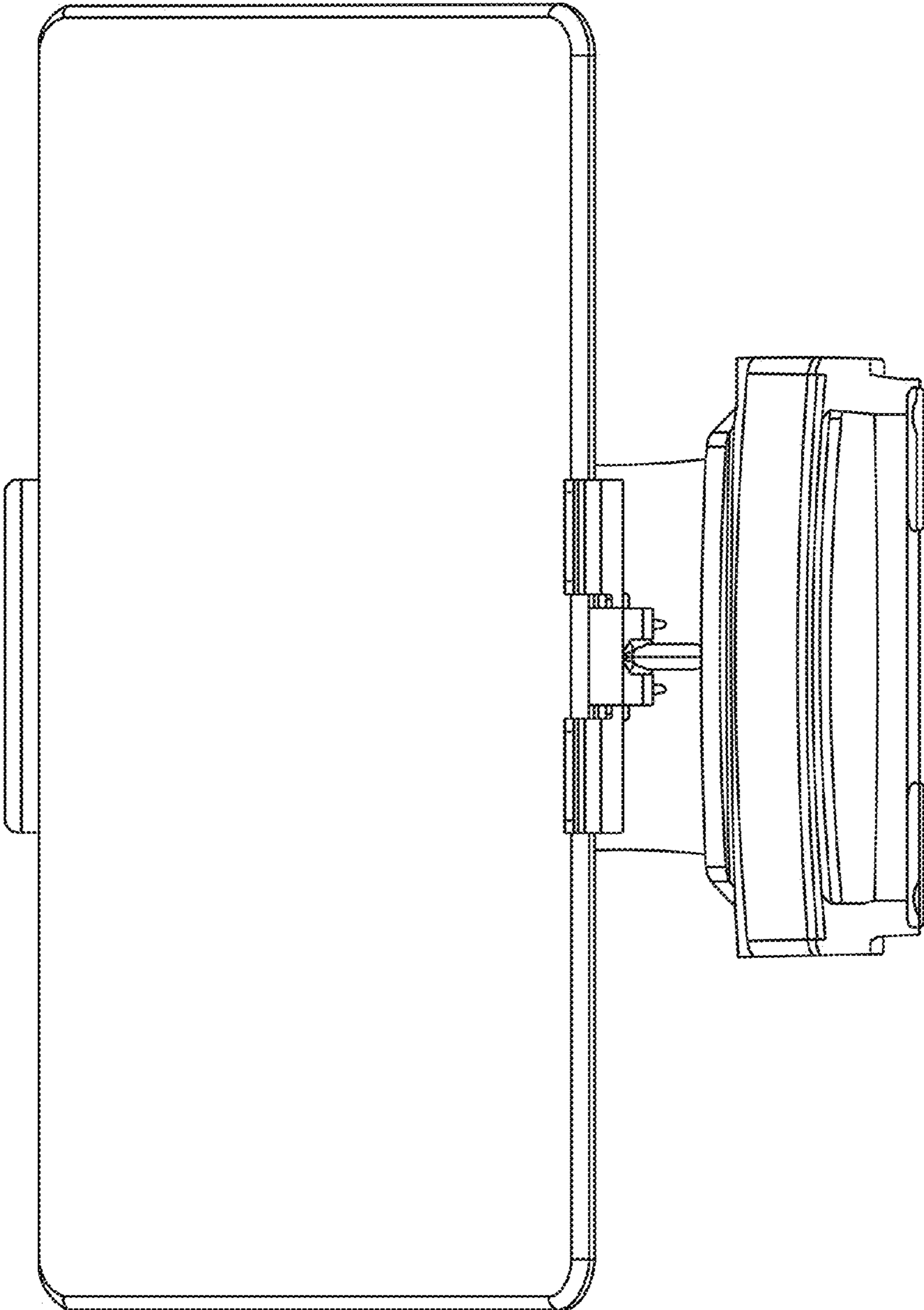


FIG. 3

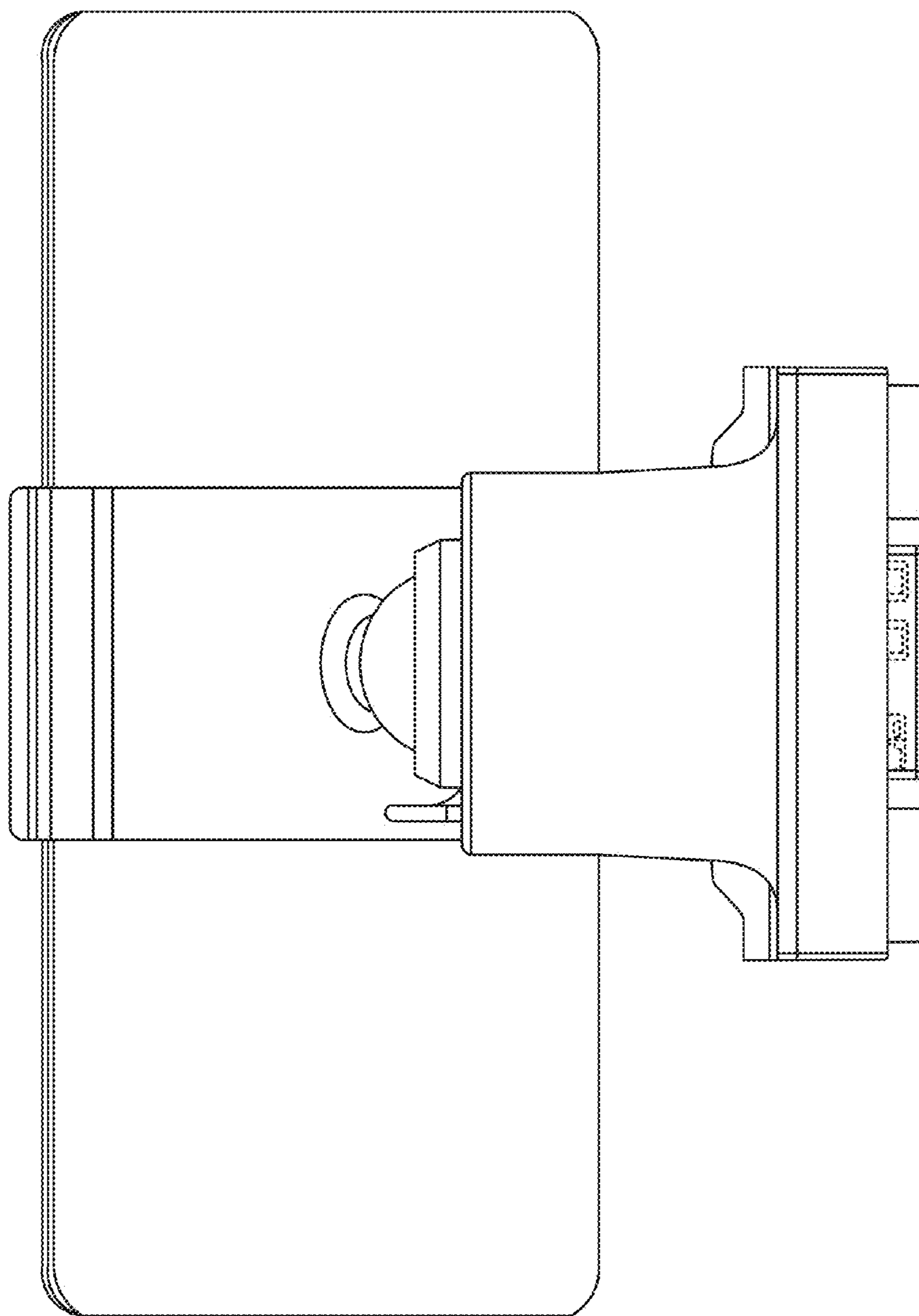


FIG. 4

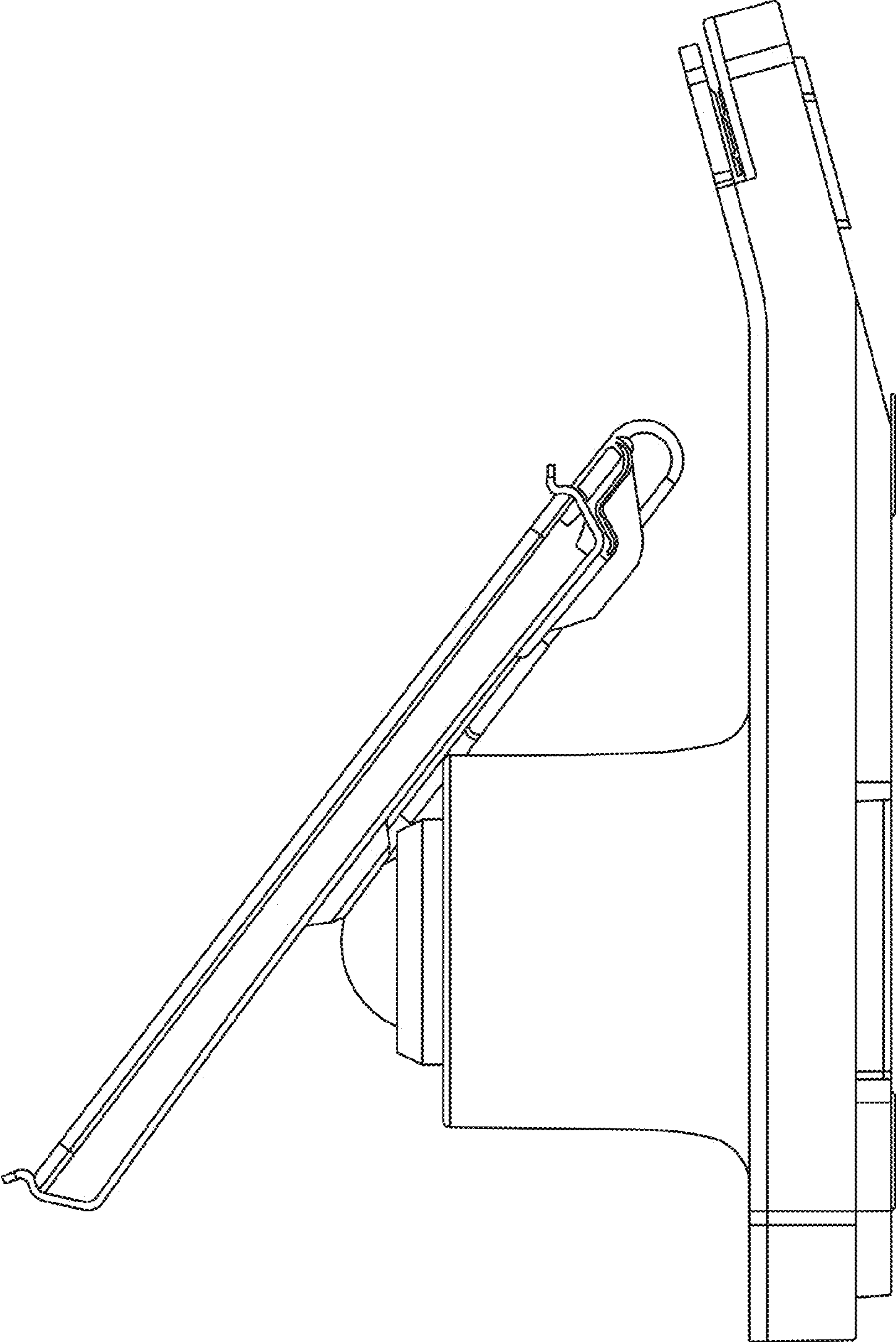


FIG. 5

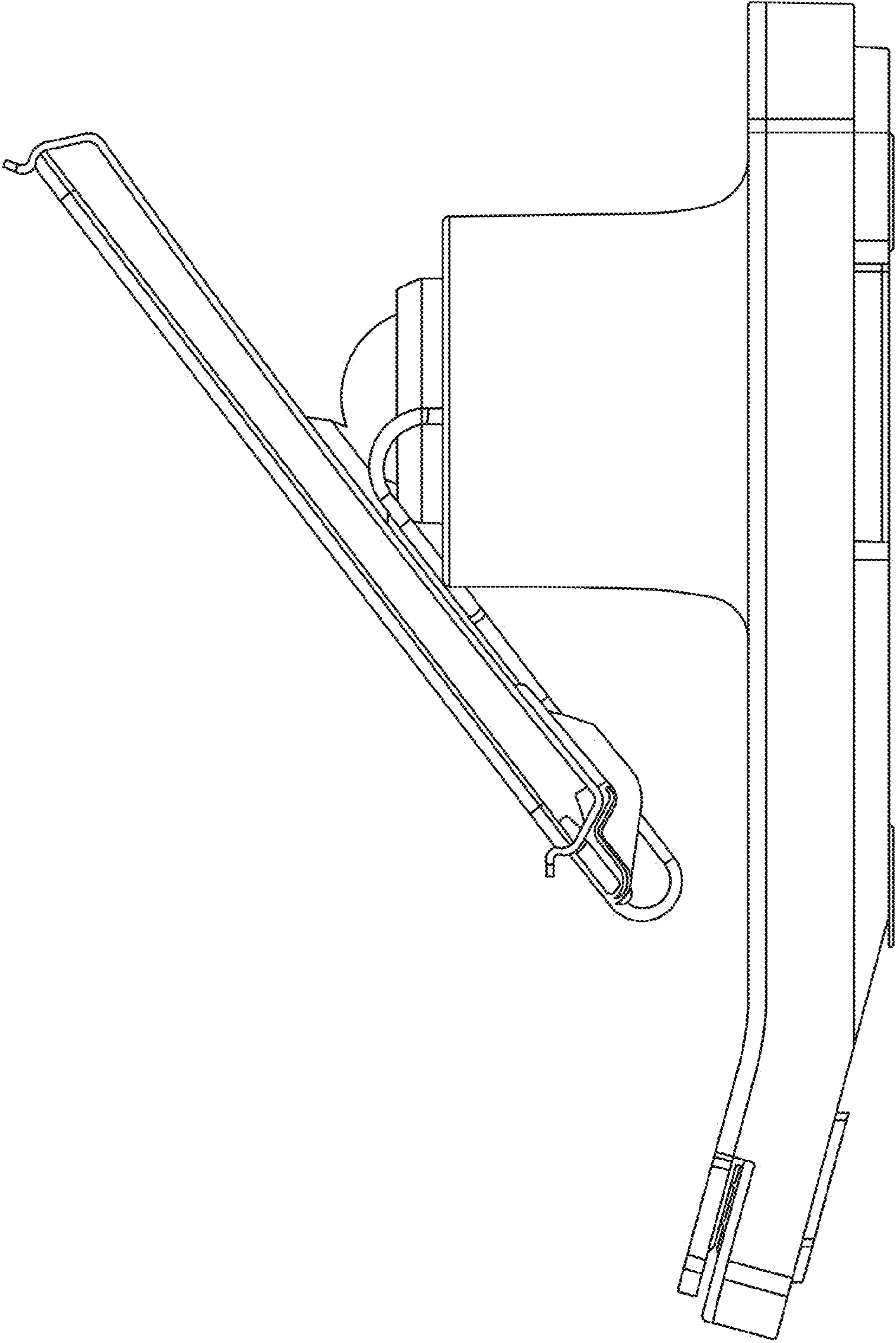


FIG. 6

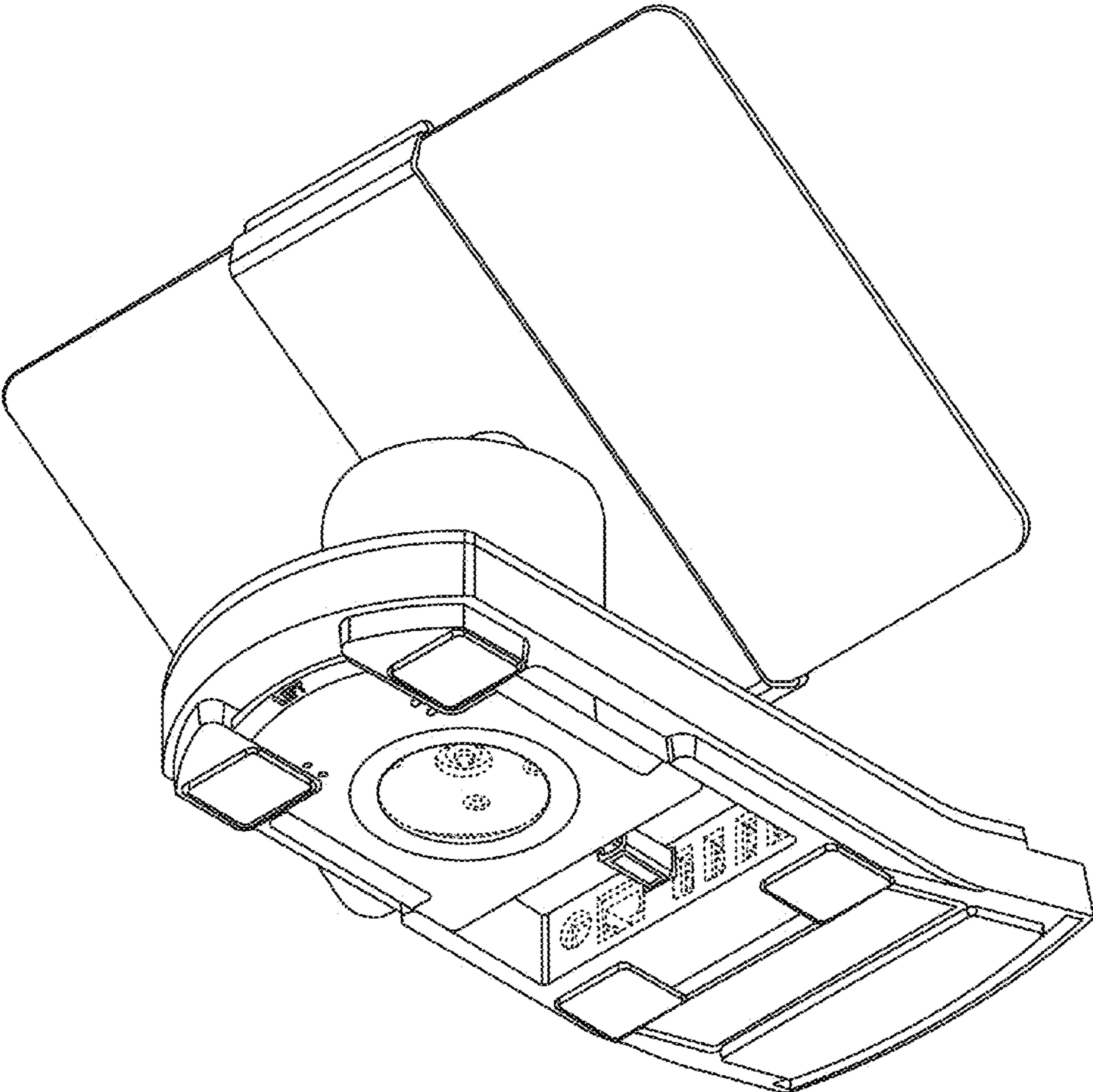


FIG. 7

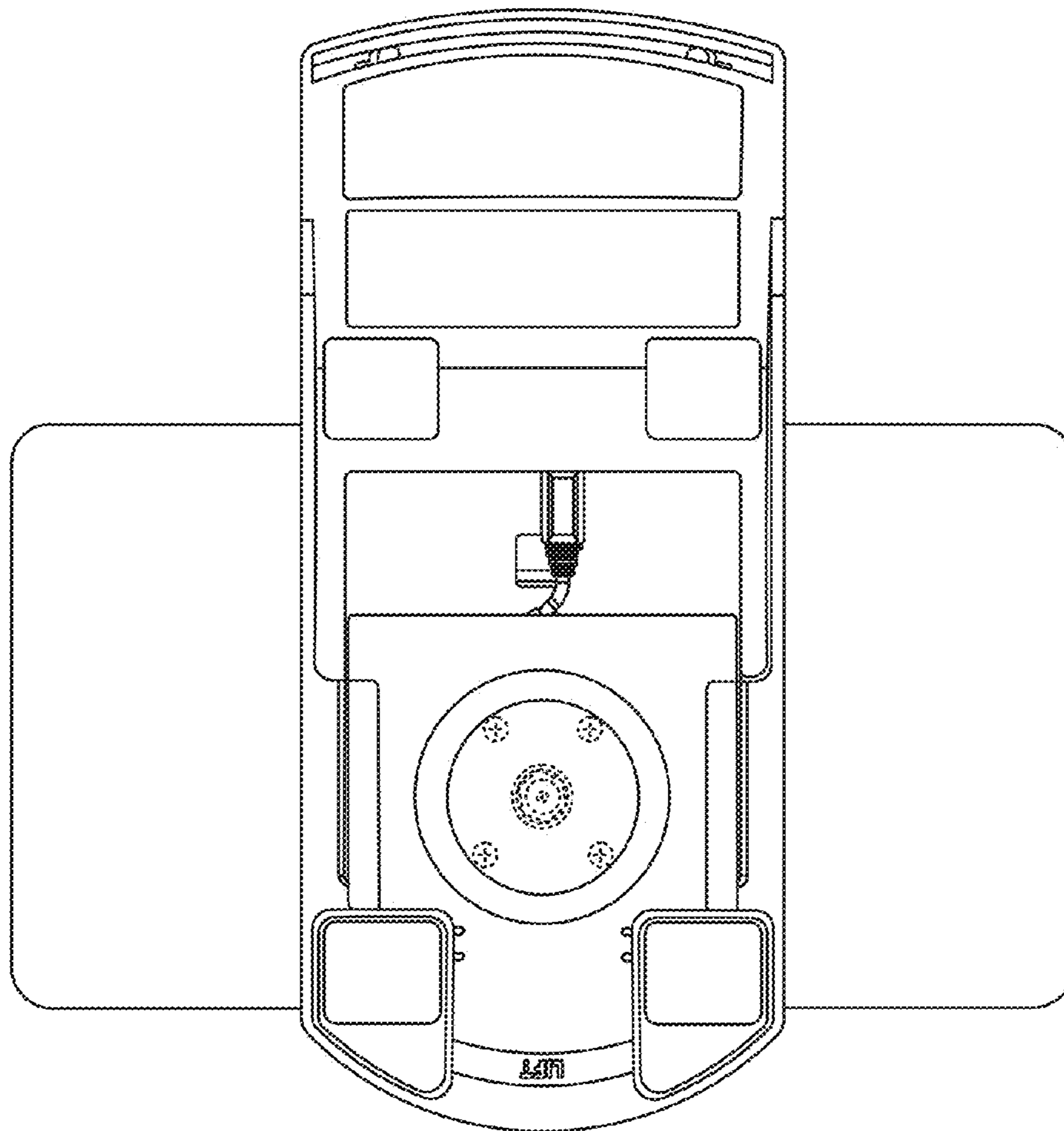


FIG. 8

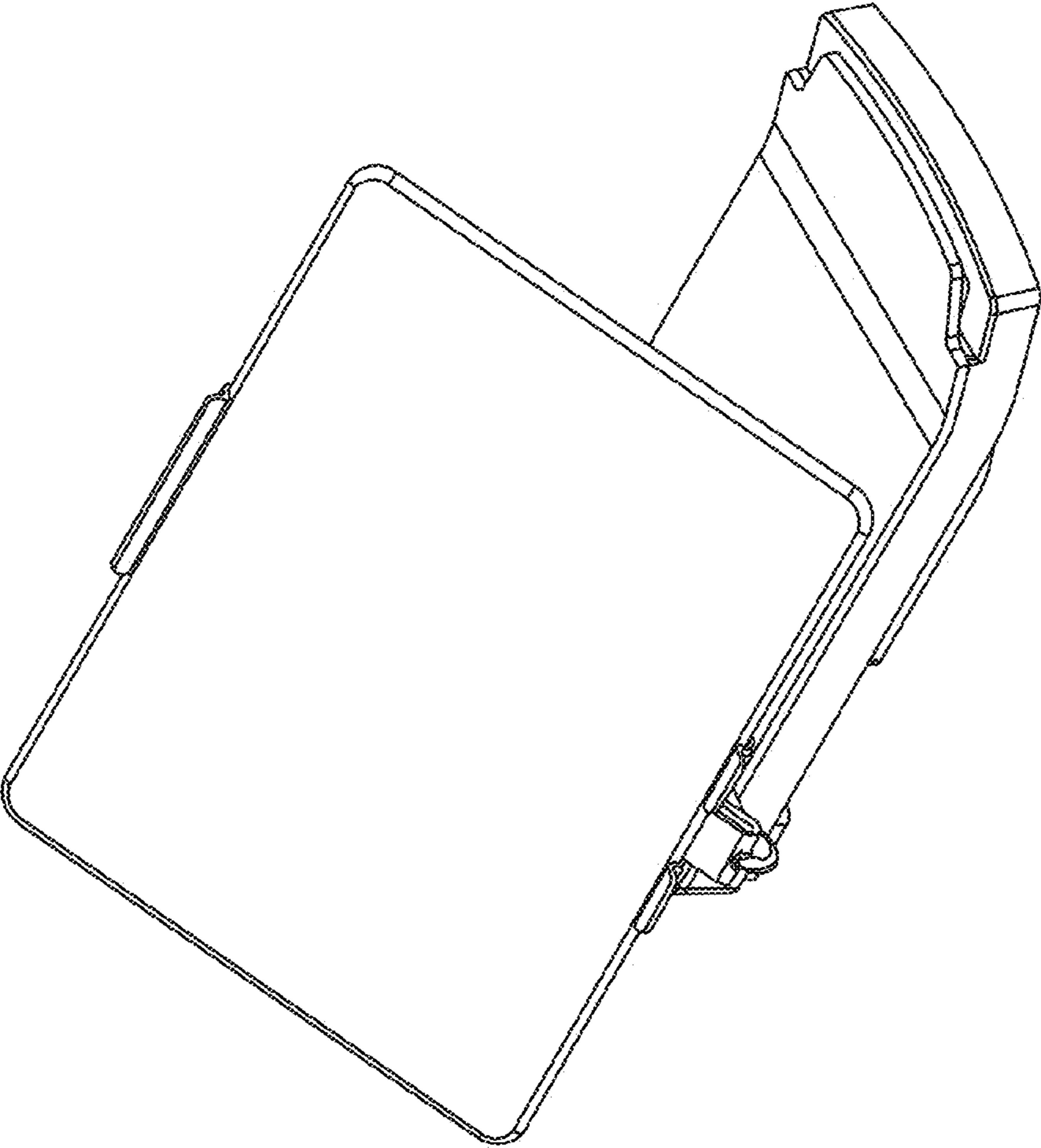


FIG. 9

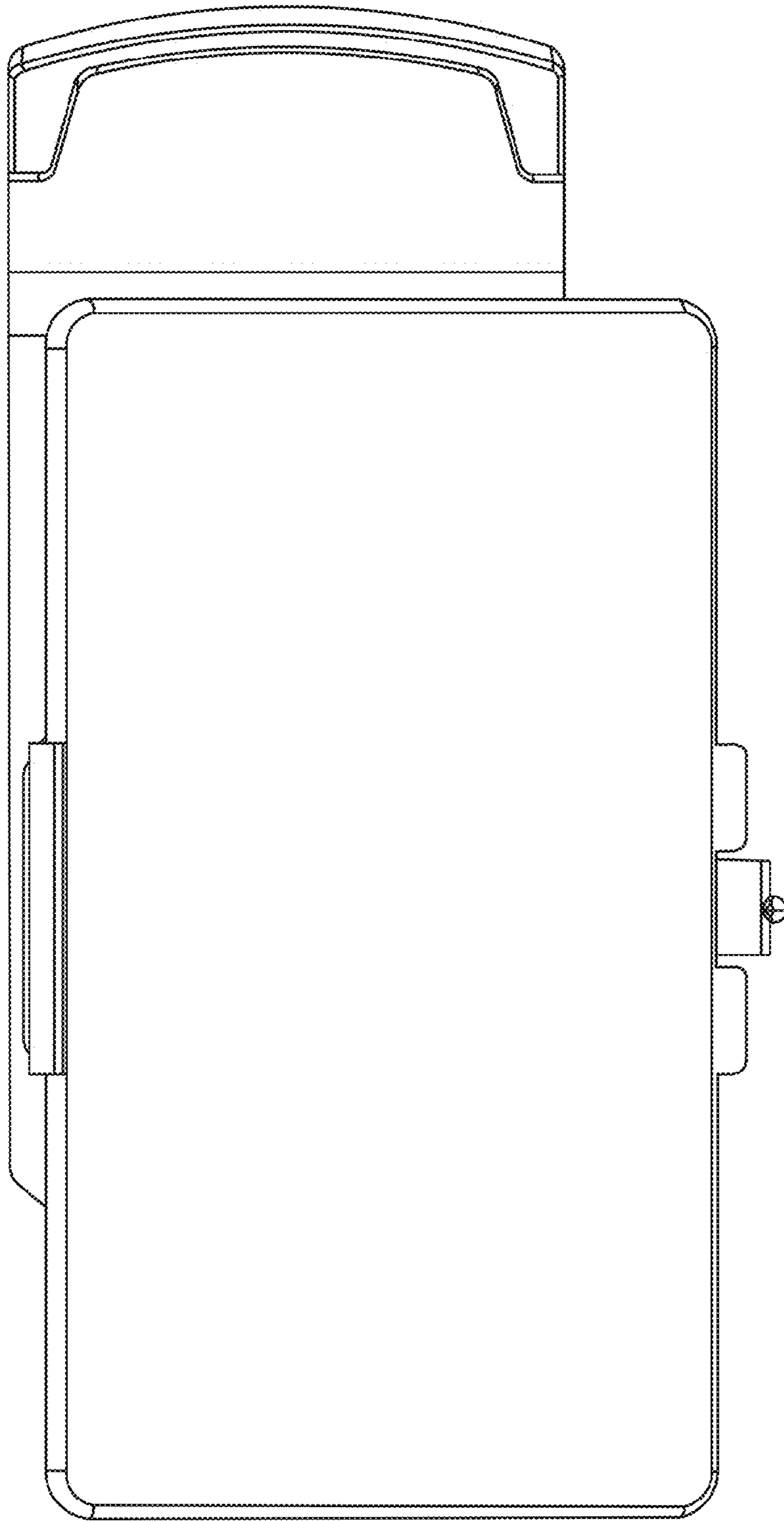


FIG. 10

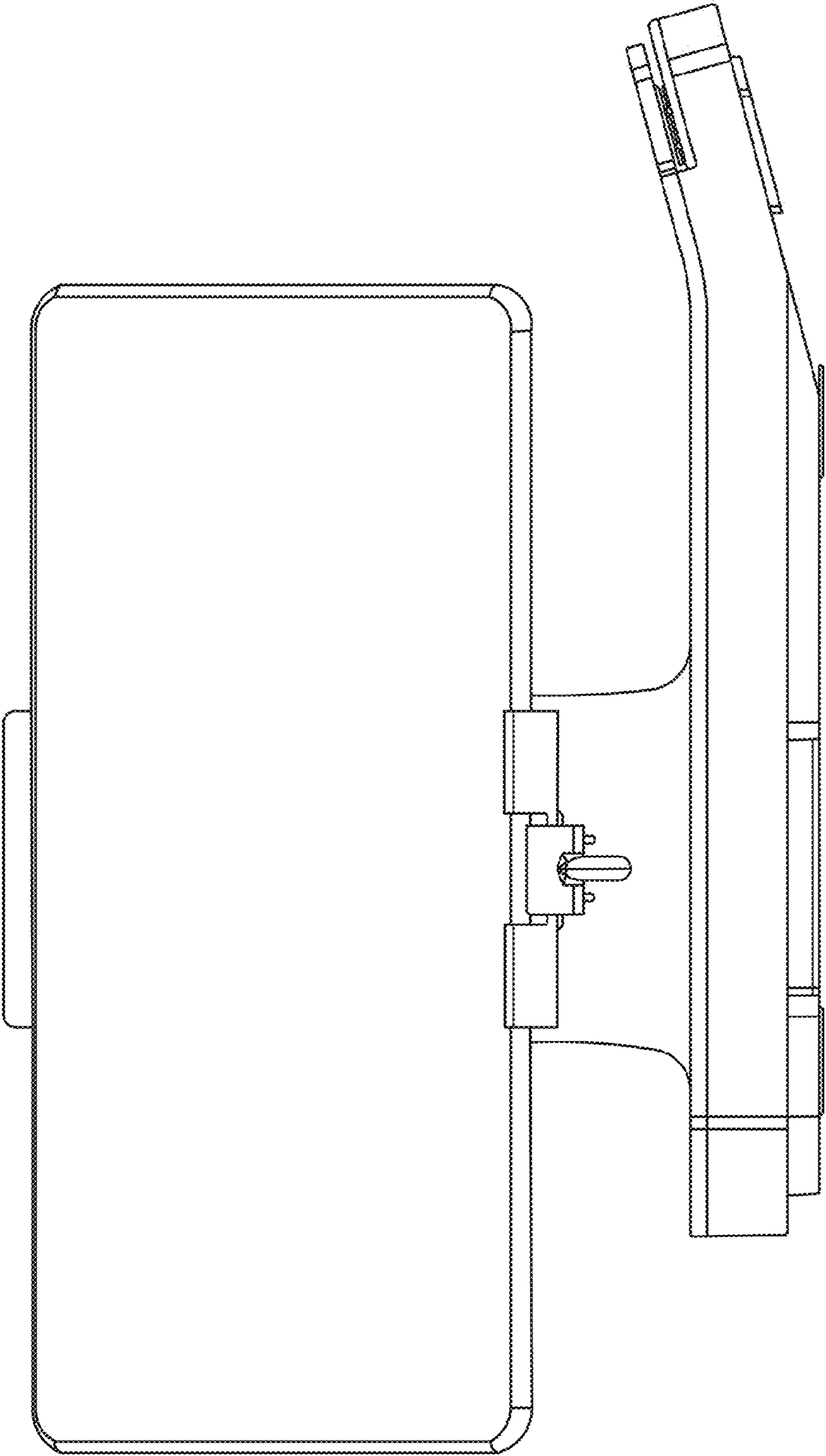


FIG. 11

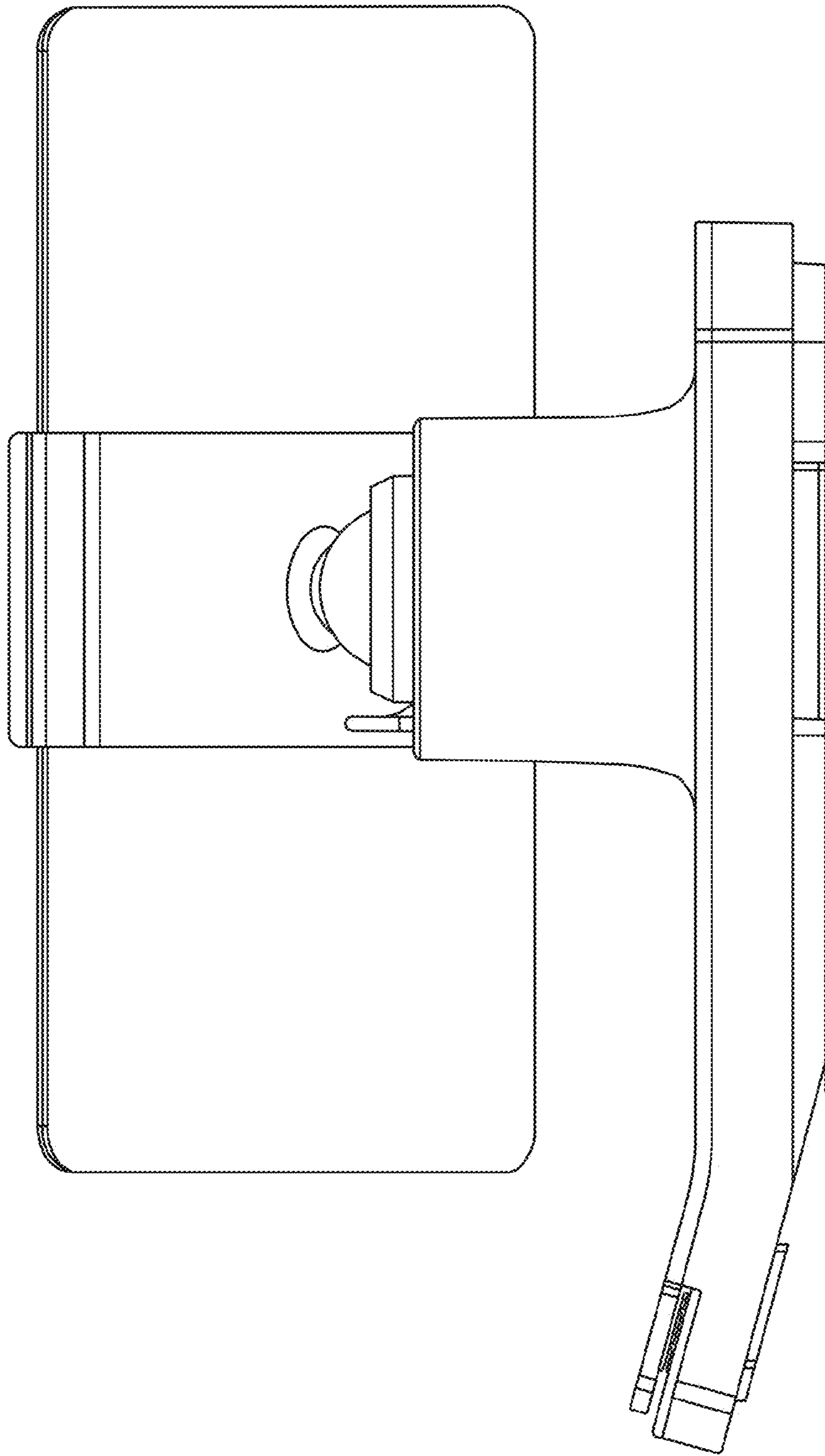


FIG. 12

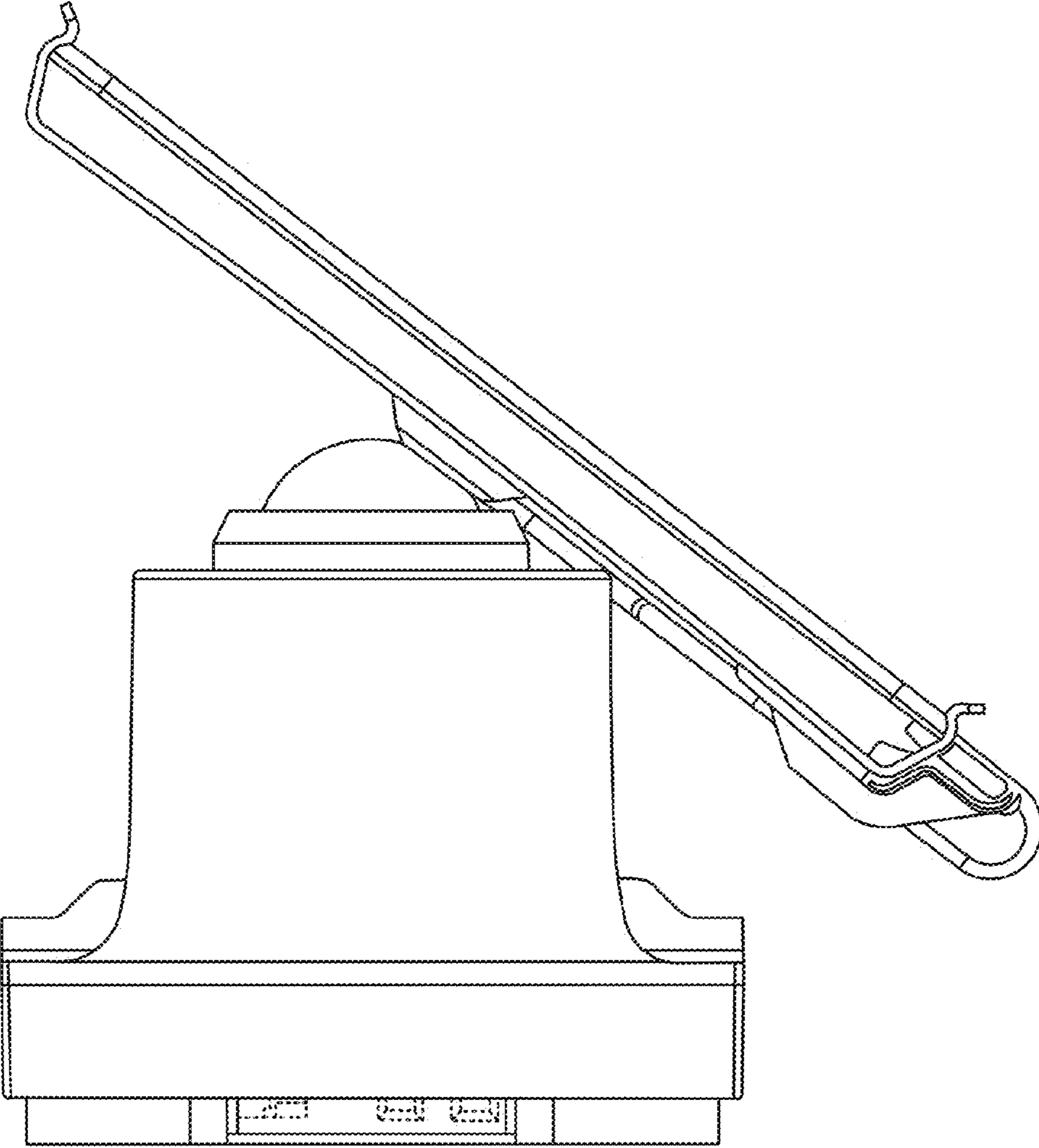


FIG. 13

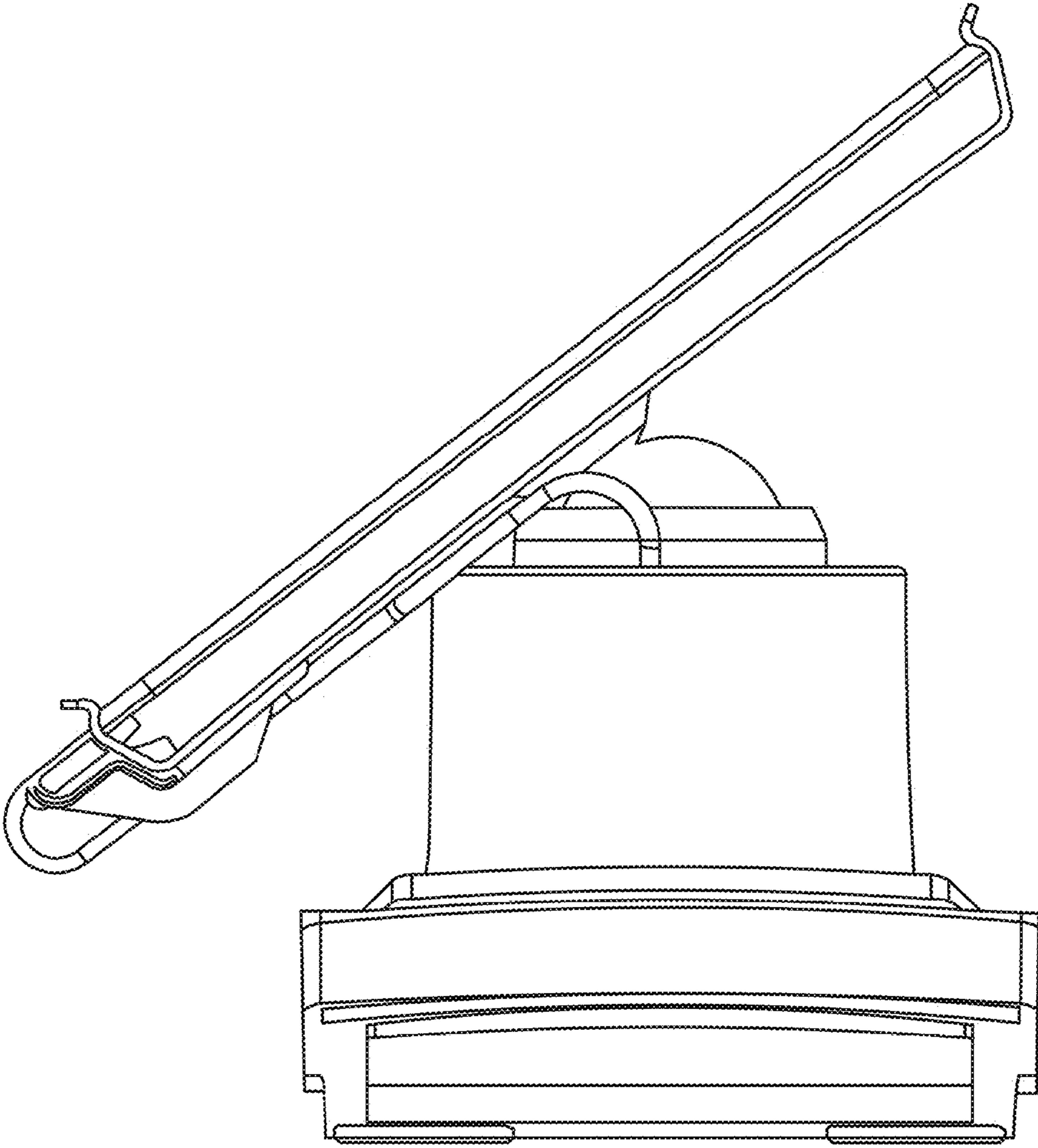


FIG. 14

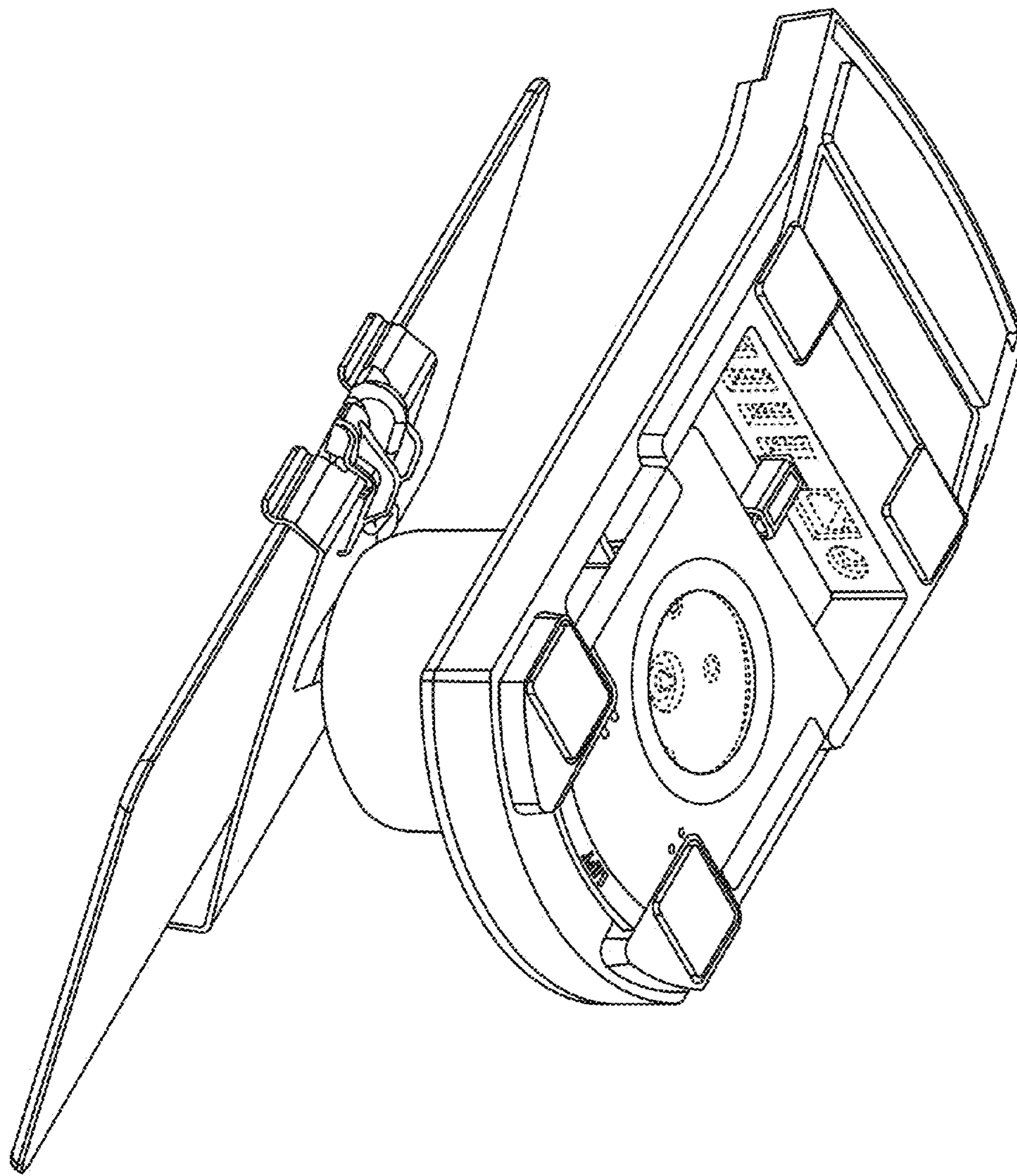


FIG. 15

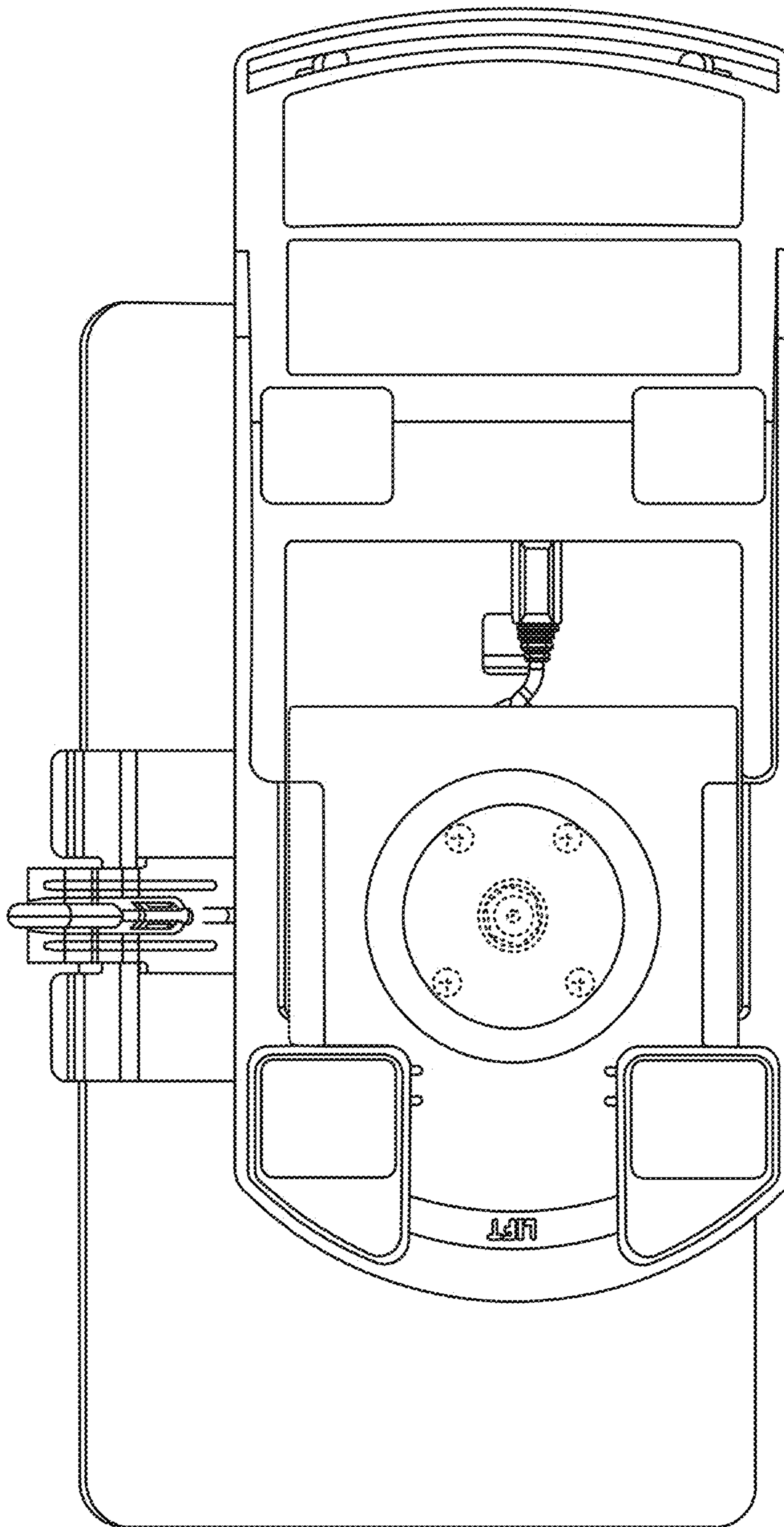


FIG. 16