



US00D719996S

(12) **United States Design Patent**
Wu

(10) **Patent No.:** **US D719,996 S**

(45) **Date of Patent:** **** Dec. 23, 2014**

(54) **INFRARED CAMERA**

(71) Applicant: **Guangzhou SAT Infrared Technology Co. Ltd.**, Guangdong (CN)

(72) Inventor: **Jiping Wu**, Guangdong (CN)

(73) Assignee: **Guangzhou SAT Infrared Technology Co. Ltd.**, Guangdong (CN)

(**) Term: **14 Years**

(21) Appl. No.: **29/457,190**

(22) Filed: **Jun. 7, 2013**

(30) **Foreign Application Priority Data**

Dec. 11, 2012 (CN) 2012 3 0642567

(51) **LOC (10) Cl.** **16-05**

(52) **U.S. Cl.**
USPC **D16/219; D16/202**

(58) **Field of Classification Search**
CPC G03B 15/03; G03B 17/02; G03B 17/04;
G03B 17/56; G03B 19/04; H04N 5/2251;
H04N 5/2252; H04N 5/2253; H04N 5/2254;
H04N 2101/00; H04N 5/33; H04N 5/332
USPC D16/200, 202–208, 218, 219, 242;
348/143, 148, 151, 164, 373–376;
396/419, 427, 535–541; 248/176.1,
248/187.1

See application file for complete search history.

(56) **References Cited**

U.S. PATENT DOCUMENTS

D434,057 S * 11/2000 Whitby et al. D16/202
D441,000 S * 4/2001 Vanderwilt et al. D16/202
D446,531 S * 8/2001 Beck et al. D16/202
D455,164 S * 4/2002 Tsang et al. D16/202
6,462,781 B1 * 10/2002 Arnold 348/373
D470,873 S * 2/2003 Hovanky et al. D16/202
D470,875 S * 2/2003 Liao D16/202

D474,794 S * 5/2003 Ogura D16/203
D476,345 S * 6/2003 Phelps et al. D16/202
D484,160 S * 12/2003 Kangasmaa D16/203
6,831,697 B1 * 12/2004 Chang 348/373
D524,835 S * 7/2006 Barman et al. D16/200
D532,809 S * 11/2006 Shih D16/218
D554,168 S * 10/2007 Shi et al. D16/202
D556,233 S * 11/2007 Webb et al. D16/203
D562,372 S * 2/2008 Takahashi D16/202
D562,868 S * 2/2008 Cho et al. D16/202
D626,580 S * 11/2010 Tzeng D16/202
D626,983 S * 11/2010 Serge et al. D16/202
D631,079 S * 1/2011 Tzeng D16/202
D651,230 S * 12/2011 Tan et al. D16/202
D661,718 S * 6/2012 Tang D16/202
8,382,386 B2 * 2/2013 Cheng et al. 396/427
2006/0109375 A1 * 5/2006 Ho et al. 348/376

* cited by examiner

Primary Examiner — Adir Aronovich

Assistant Examiner — Ramzi Almatrahi

(74) *Attorney, Agent, or Firm* — Stoel Rives LLP

(57) **CLAIM**

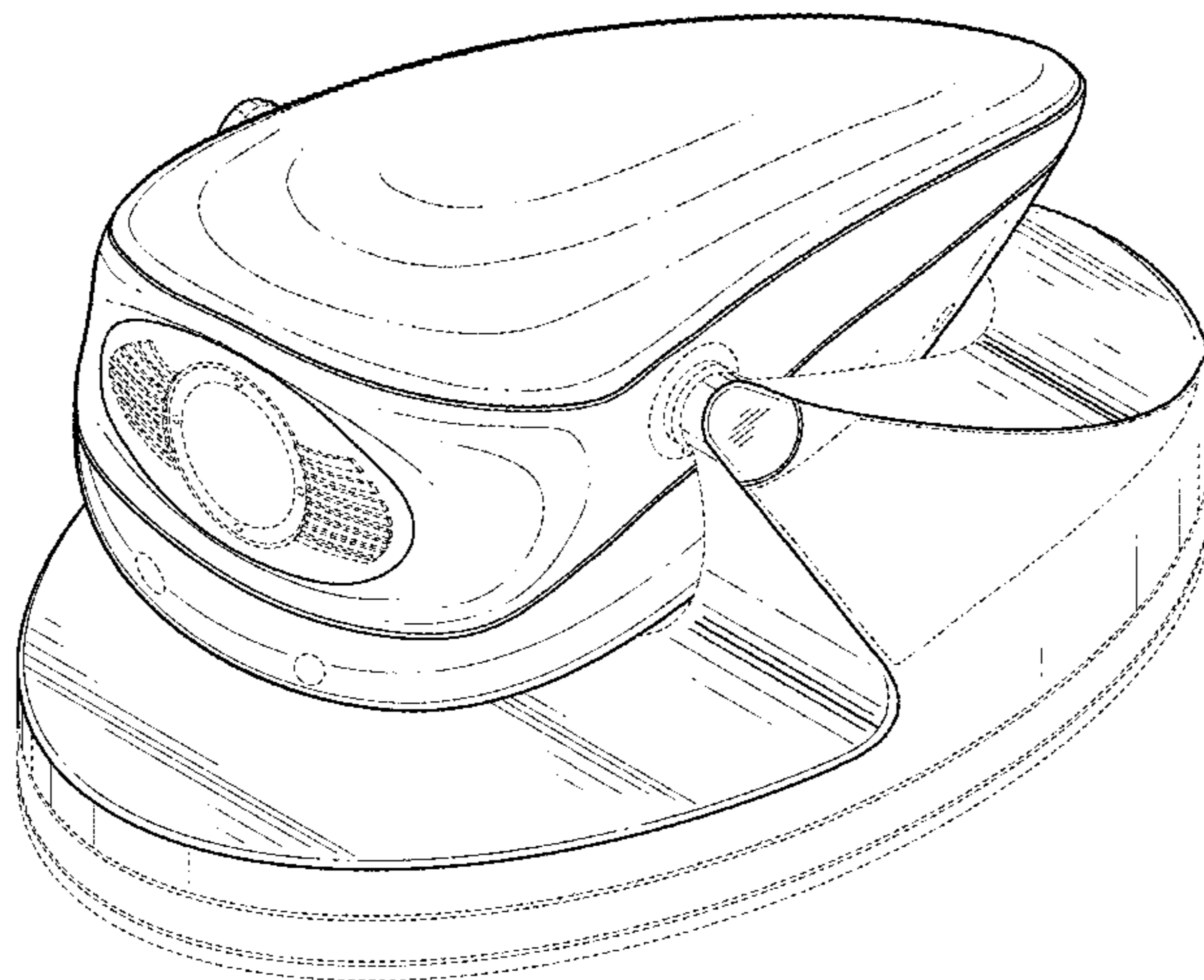
The ornamental design for an infrared camera, as shown and described.

DESCRIPTION

FIG. 1 is a top, front perspective view of an infrared camera showing my new design;
FIG. 2 is a bottom perspective view thereof;
FIG. 3 is a front elevation view thereof;
FIG. 4 is a right side elevation view thereof;
FIG. 5 is a left side elevation view thereof;
FIG. 6 is a rear elevation view thereof; and,
FIG. 7 is a top plan view thereof.

The broken lines in the drawings are shown to illustrate the portions of an infrared camera in which the design is embodied and form no part of the claimed design. The dash-dot lines denote the boundary of the claim and form no part of the claimed design.

1 Claim, 7 Drawing Sheets



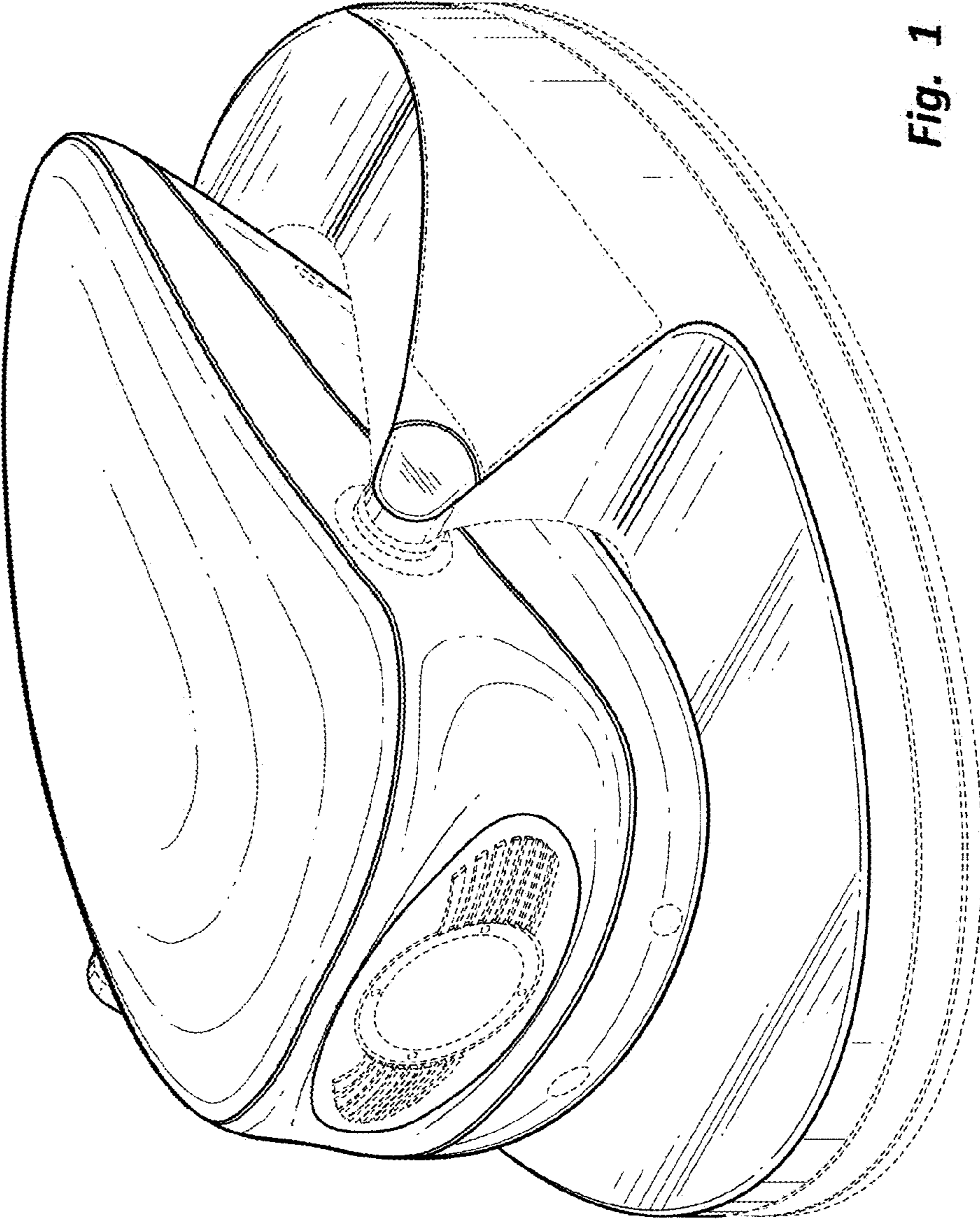


Fig. 1

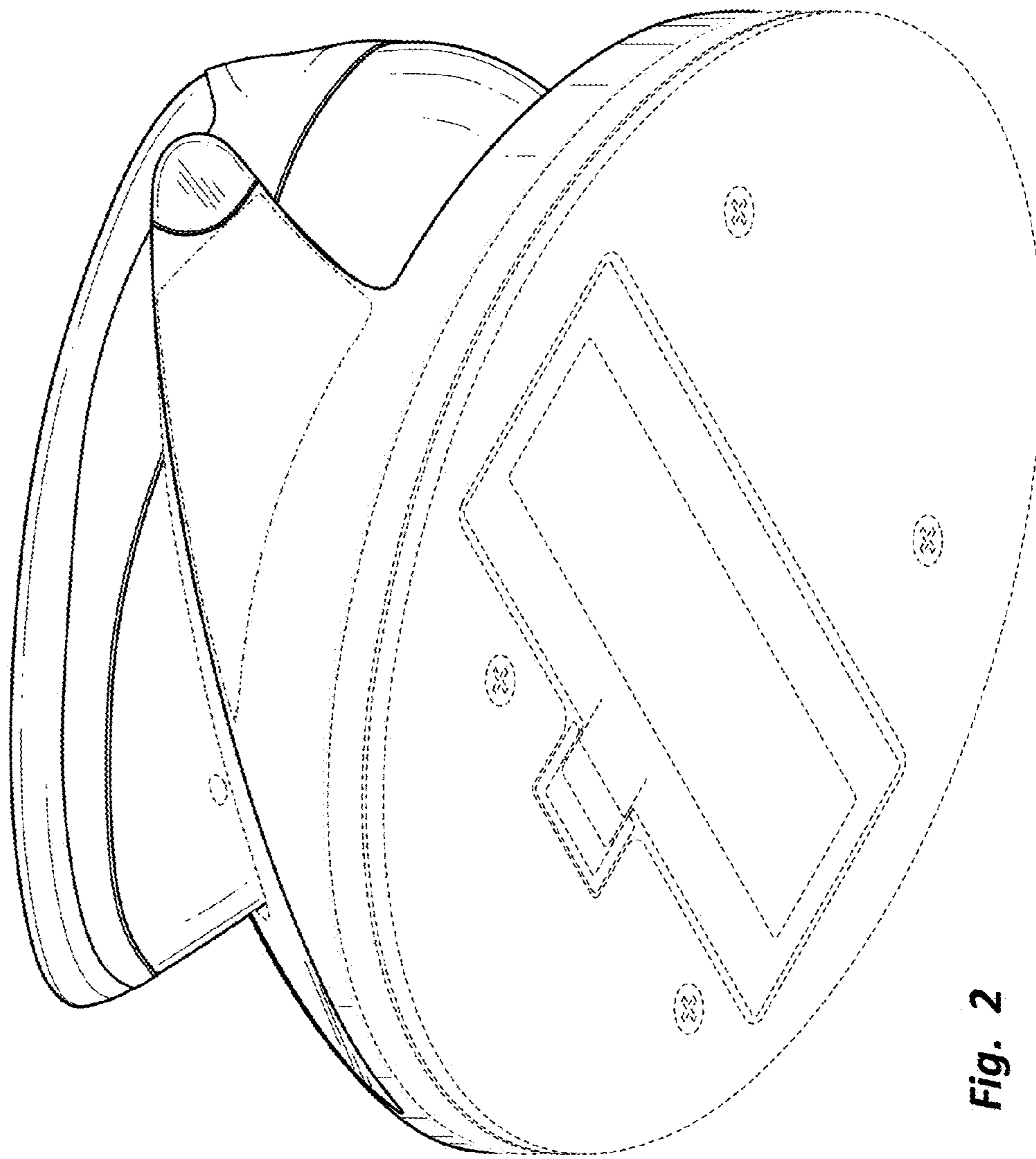


Fig. 2

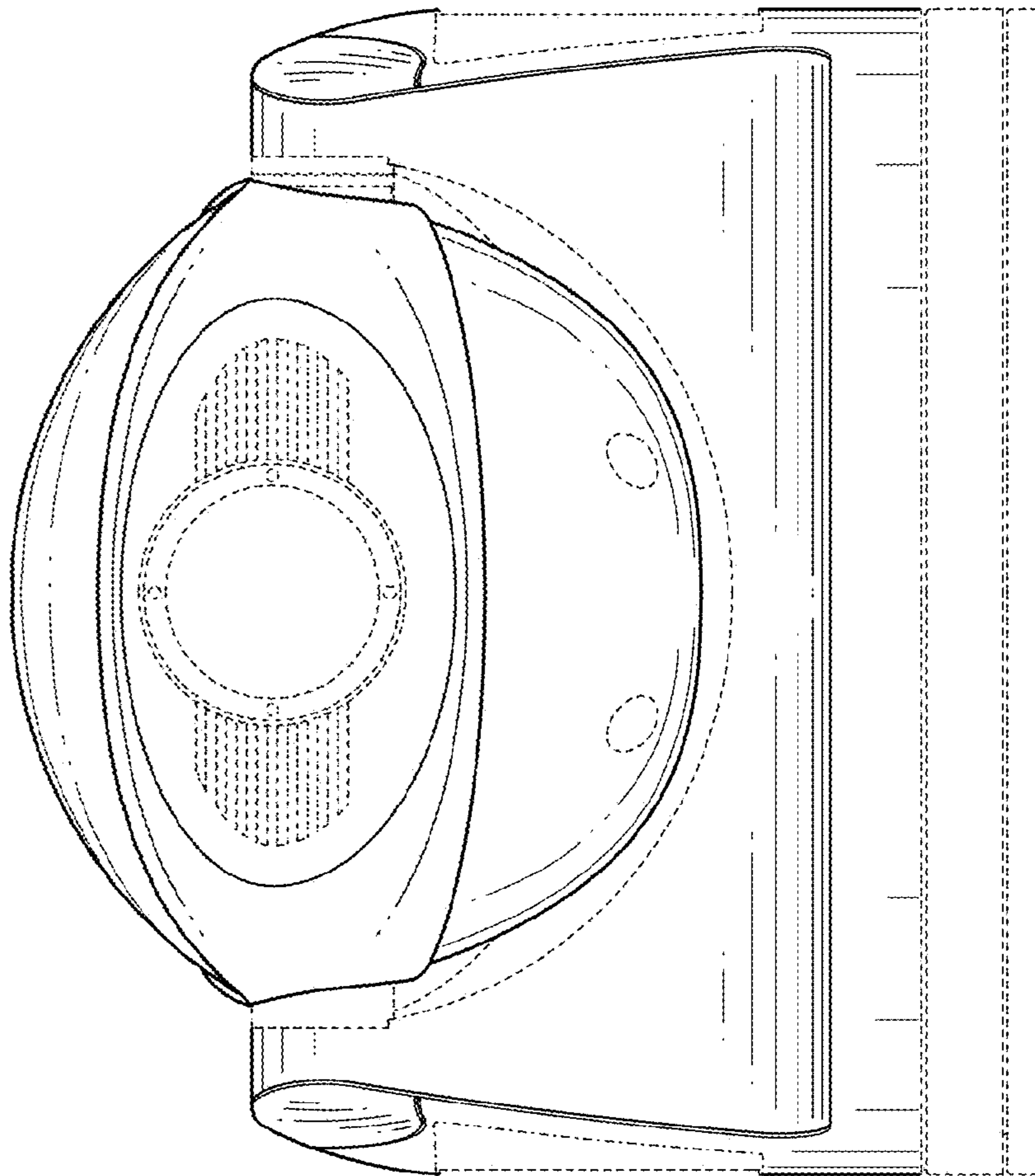


Fig. 3

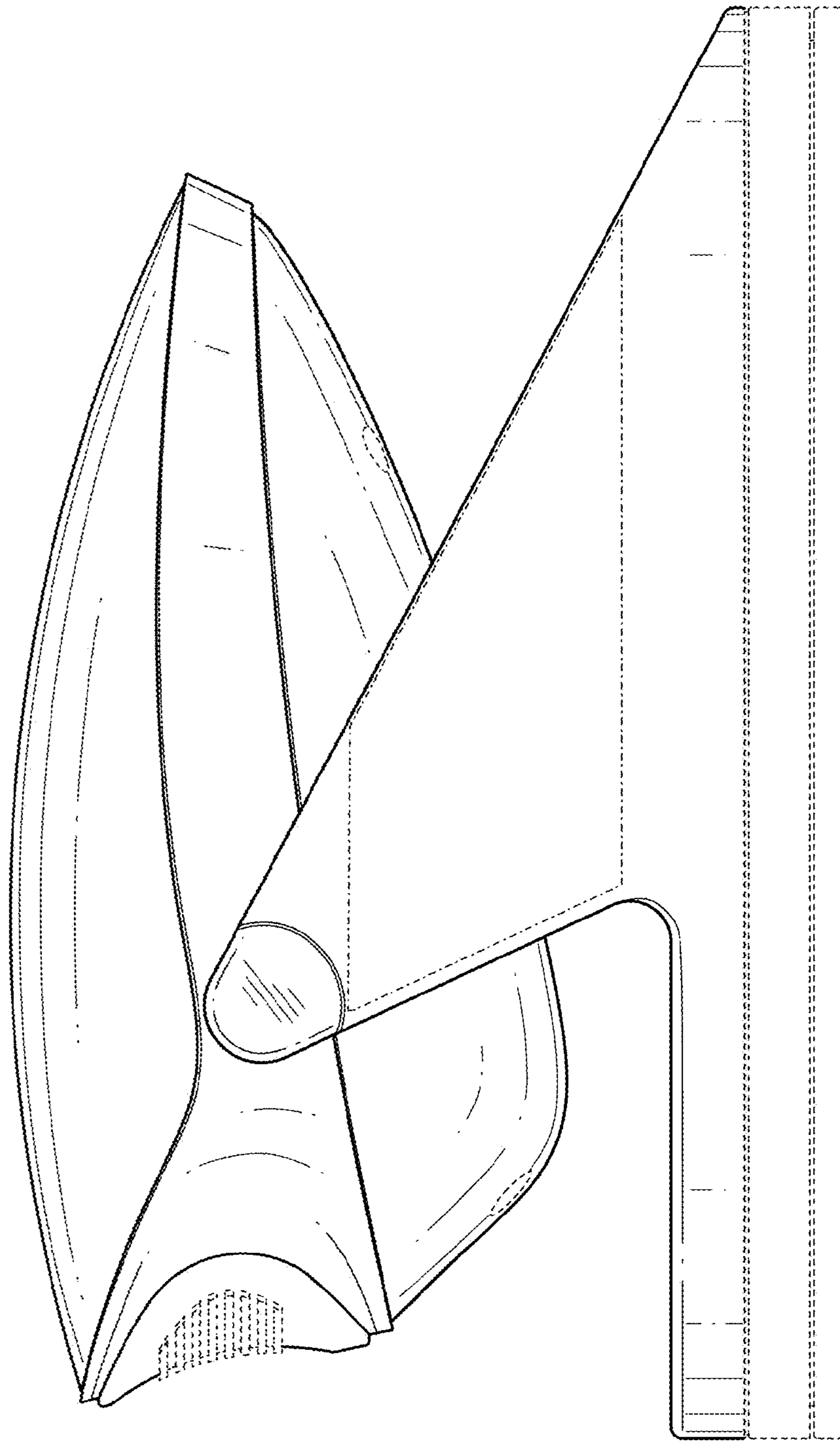


Fig. 4

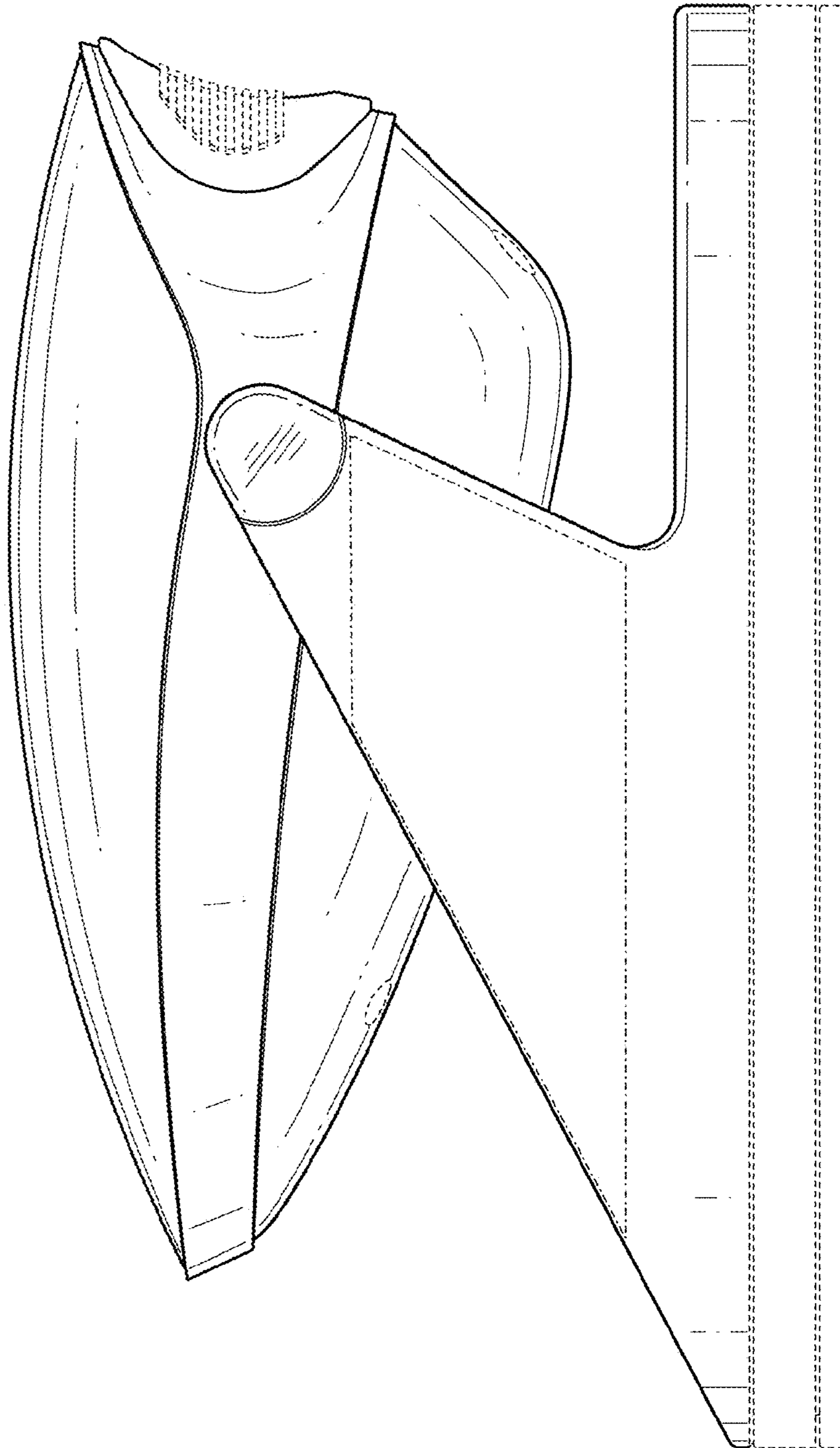


Fig. 5

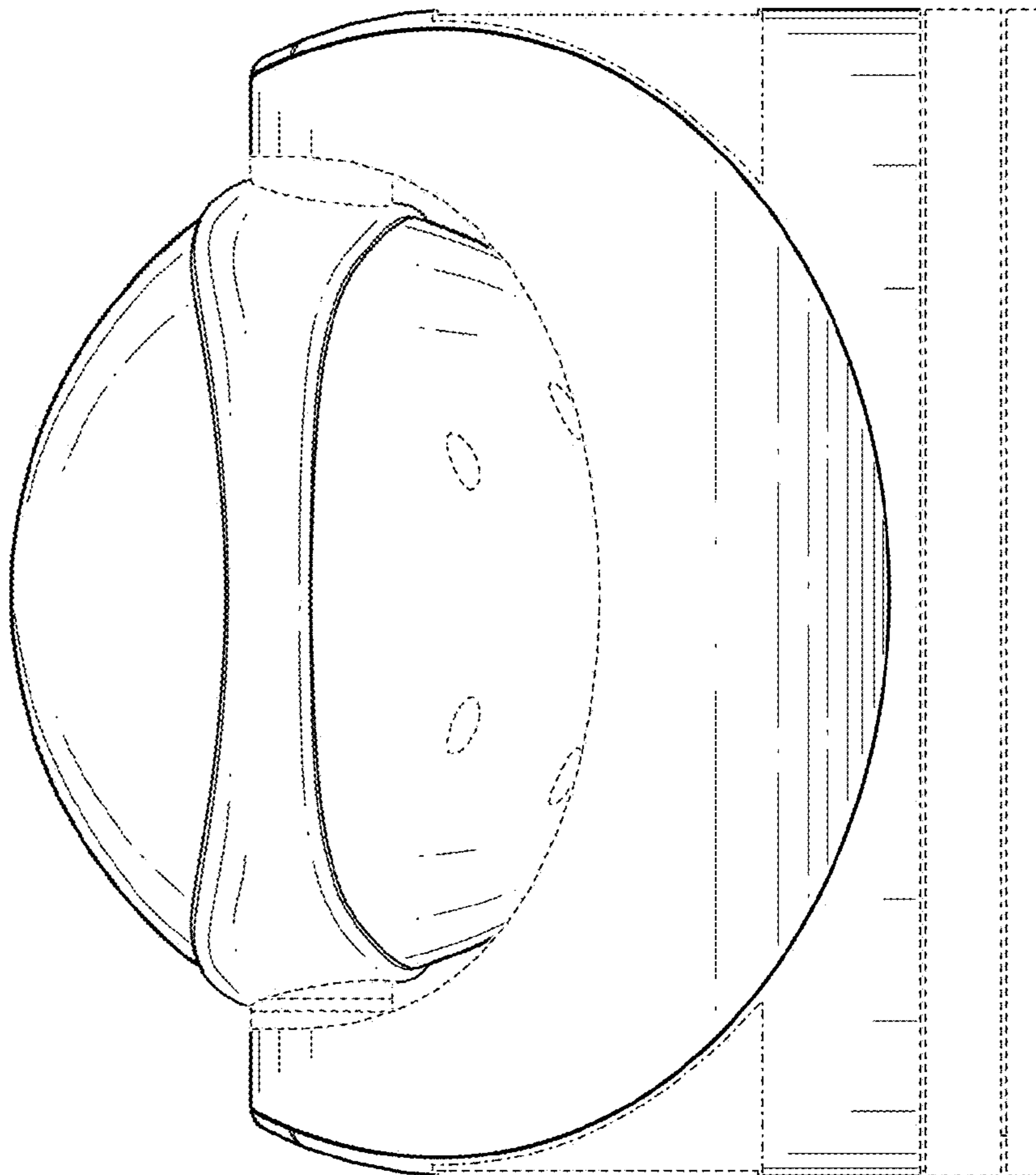


Fig. 6

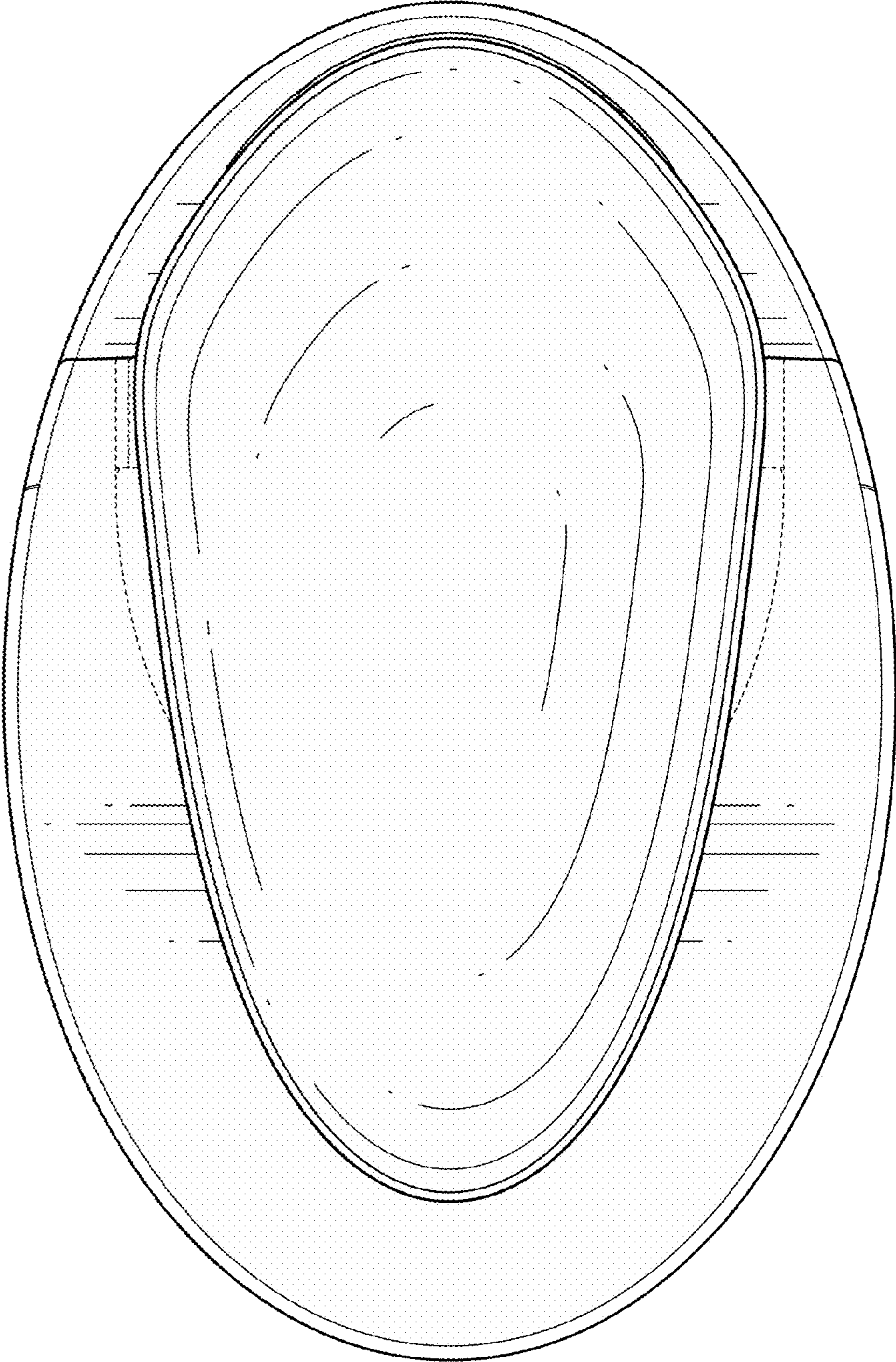


Fig. 7