



US00D719995S

(12) **United States Design Patent**
Huang et al.

(10) **Patent No.:** **US D719,995 S**

(45) **Date of Patent:** **** Dec. 23, 2014**

(54) **HANDHELD INFRARED CAMERA**

(71) Applicant: **Wuhan Guide Infrared Co., Ltd.**,
Hubei Province (CN)

(72) Inventors: **Li Huang**, Hubei Province (CN); **Haibo Zeng**, Hubei Province (CN); **Cheng Chen**, Hubei Province (CN)

(**) Term: **14 Years**

(21) Appl. No.: **29/468,759**

(22) Filed: **Oct. 3, 2013**

(30) **Foreign Application Priority Data**

Jul. 12, 2013 (CN) 2013 3 0329784

(51) **LOC (10) Cl.** **16-01**

(52) **U.S. Cl.**
USPC **D16/218**

(58) **Field of Classification Search**

CPC G03B 15/03; G03B 17/02; G03B 17/04;
G03B 17/56; G03B 19/04; H04N 5/2251;
H04N 5/2252; H04N 5/2253; H04N 5/2254;
H04N 2101/00; H04N 5/33; H04N 5/332
USPC D16/200, 202–206, 208, 218, 219, 227,
D16/242, 243; 348/164, 373–376; 396/535,
396/539–541

See application file for complete search history.

(56) **References Cited**

U.S. PATENT DOCUMENTS

D173,179 S * 10/1954 Baratelli D16/227

D418,853 S * 1/2000 Kubota D16/203
D611,979 S * 3/2010 Frank et al. D16/202
D614,221 S * 4/2010 Park D16/202
D647,936 S * 11/2011 Tanifuji et al. D16/202
D652,440 S * 1/2012 Davidson et al. D16/203
2006/0133798 A1 * 6/2006 Palmer et al. 396/427
2010/0085432 A1 * 4/2010 Kennedy et al. 348/164
2012/0098972 A1 * 4/2012 Hansen et al. 348/164
2012/0327247 A1 * 12/2012 Mironichev et al. 348/164
2013/0033606 A1 * 2/2013 Takahashi et al. 348/164
2014/0002665 A1 * 1/2014 Kingdon et al. 348/164

* cited by examiner

Primary Examiner — Adir Aronovich

Assistant Examiner — Ramzi Almatrahi

(74) *Attorney, Agent, or Firm* — Prakash Nama; Global IP Services, PLLC

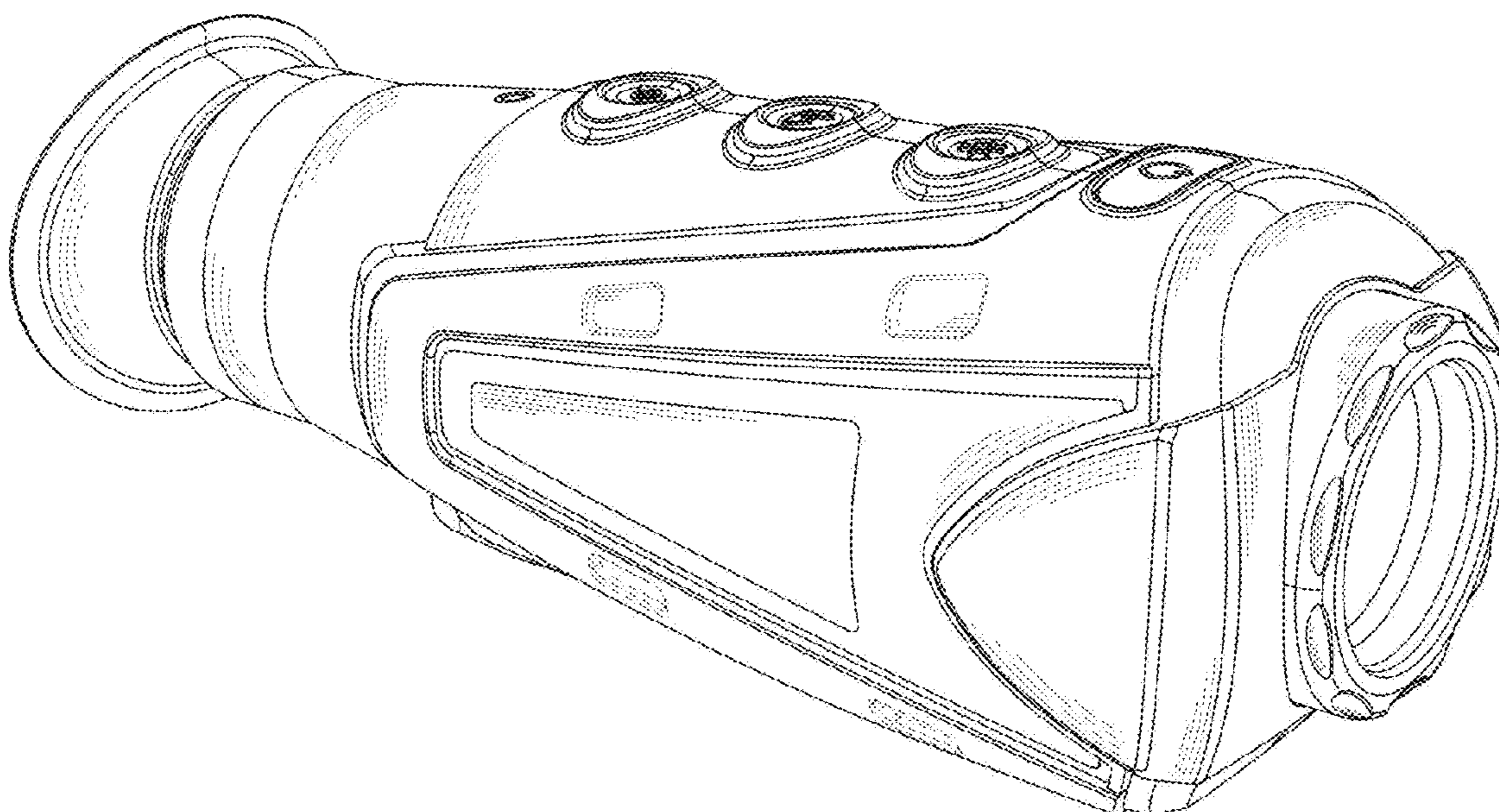
(57) **CLAIM**

The ornamental design for a handheld infrared camera, as shown.

DESCRIPTION

FIG. 1 is a front elevation view of a handheld infrared camera showing our new design;
FIG. 2 is a rear elevational view thereof;
FIG. 3 is a left side elevation view thereof;
FIG. 4 is a right side elevation view thereof;
FIG. 5 is a top plan view thereof;
FIG. 6 is a bottom plan view thereof; and,
FIG. 7 is a perspective view thereof.

1 Claim, 4 Drawing Sheets



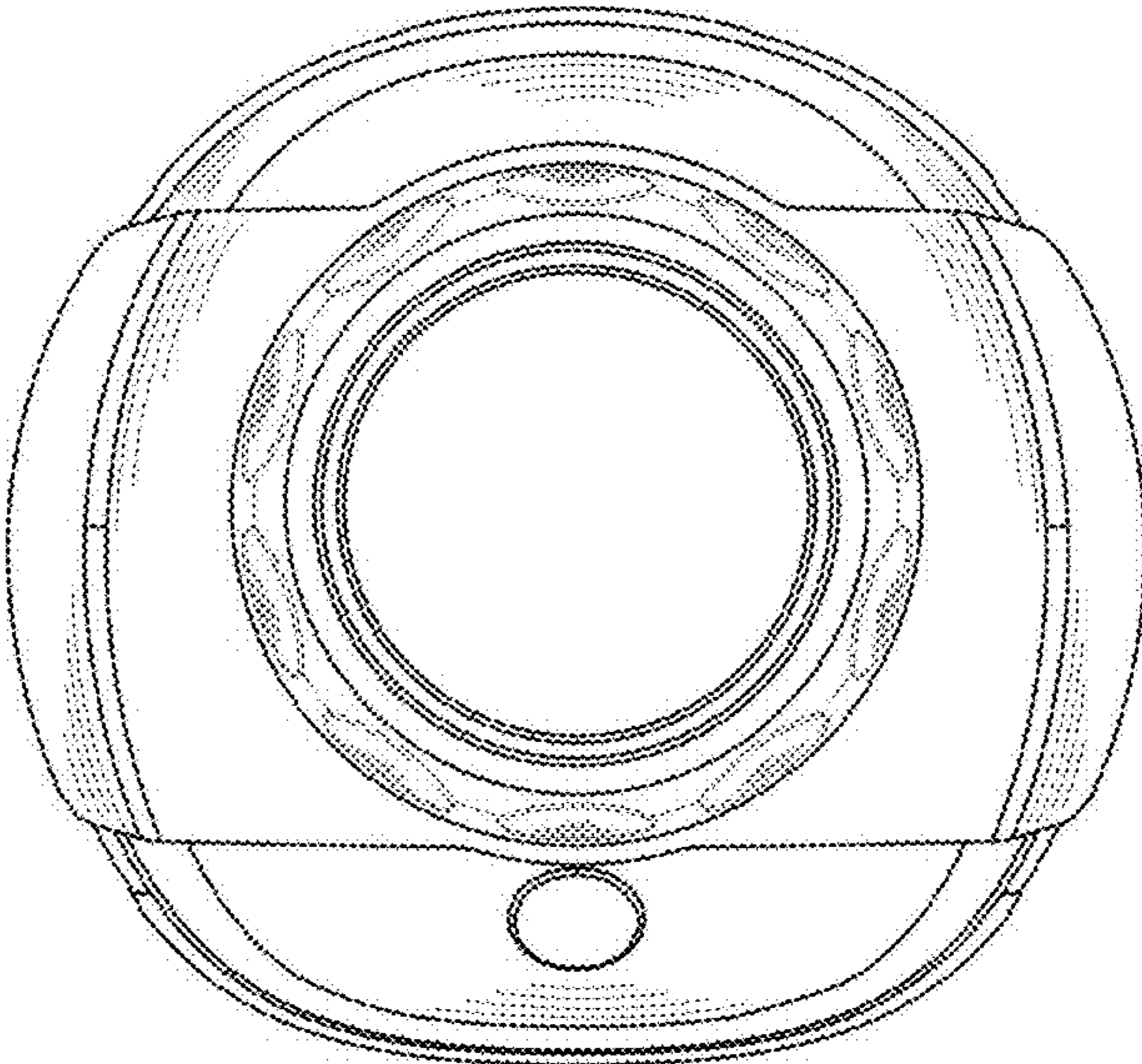


FIG. 1

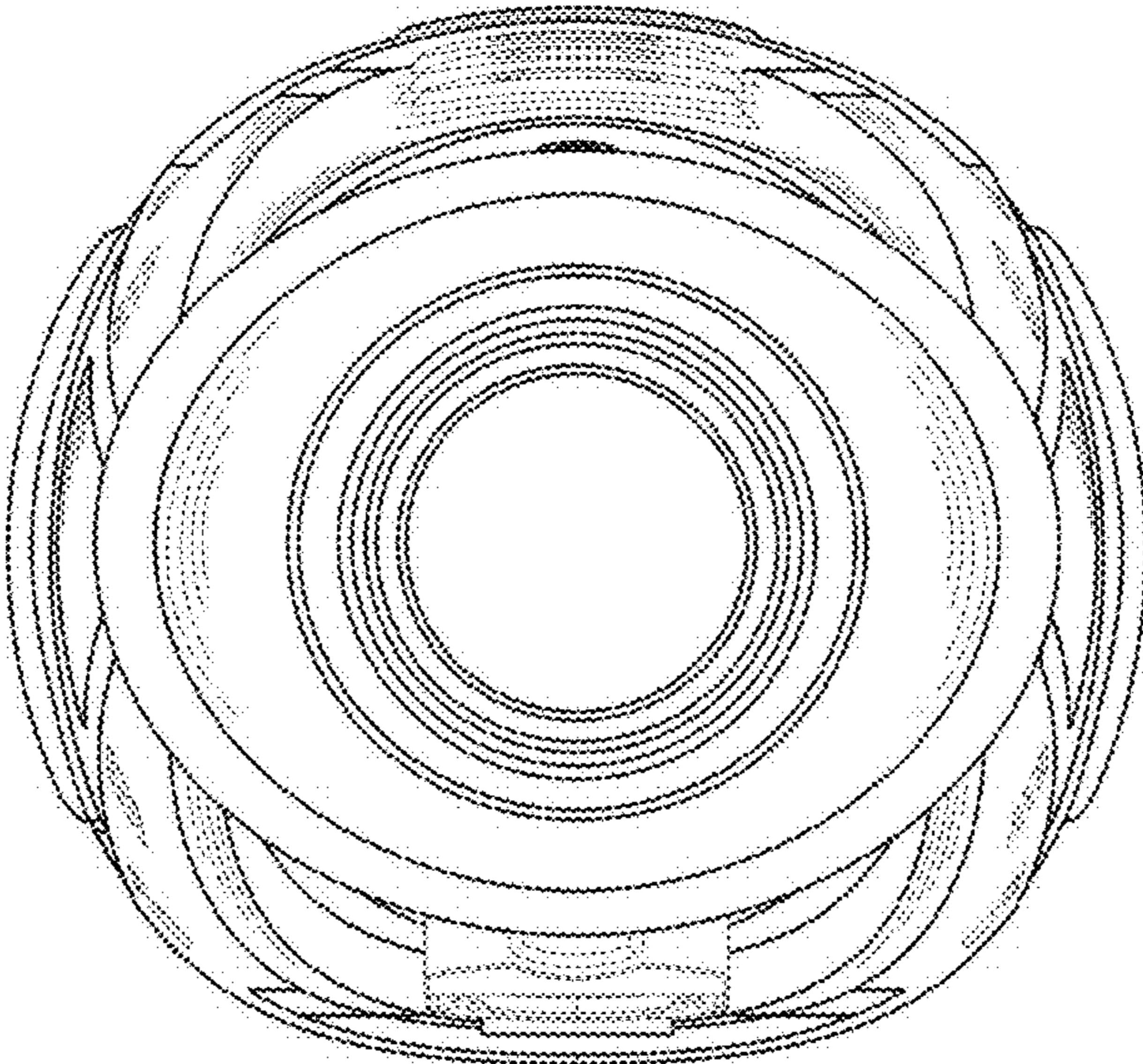


FIG. 2

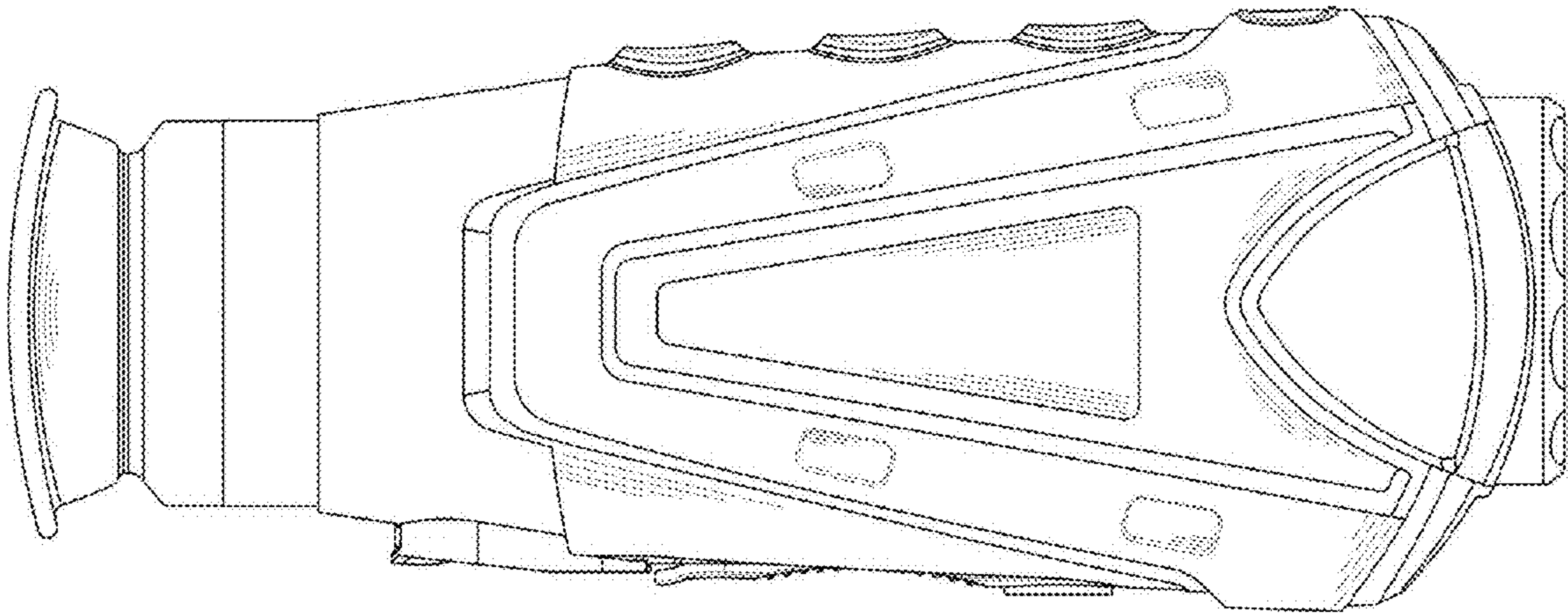


FIG. 3

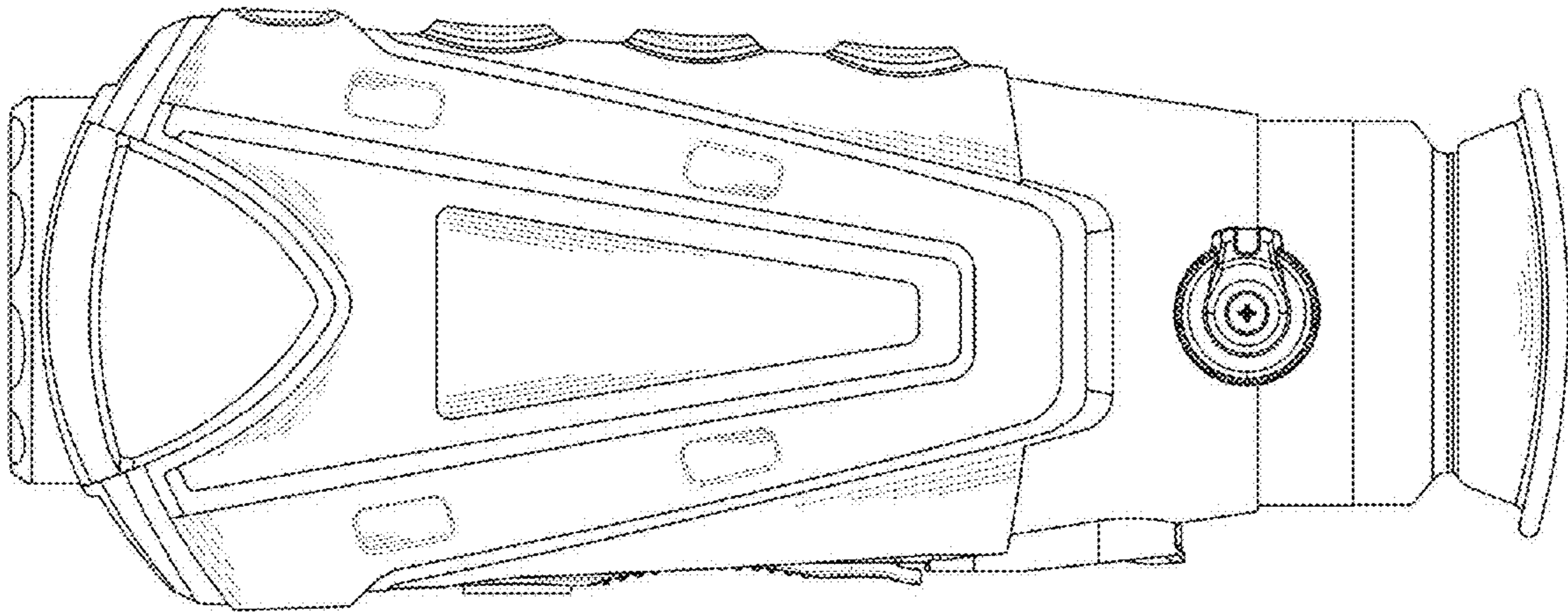


FIG. 4

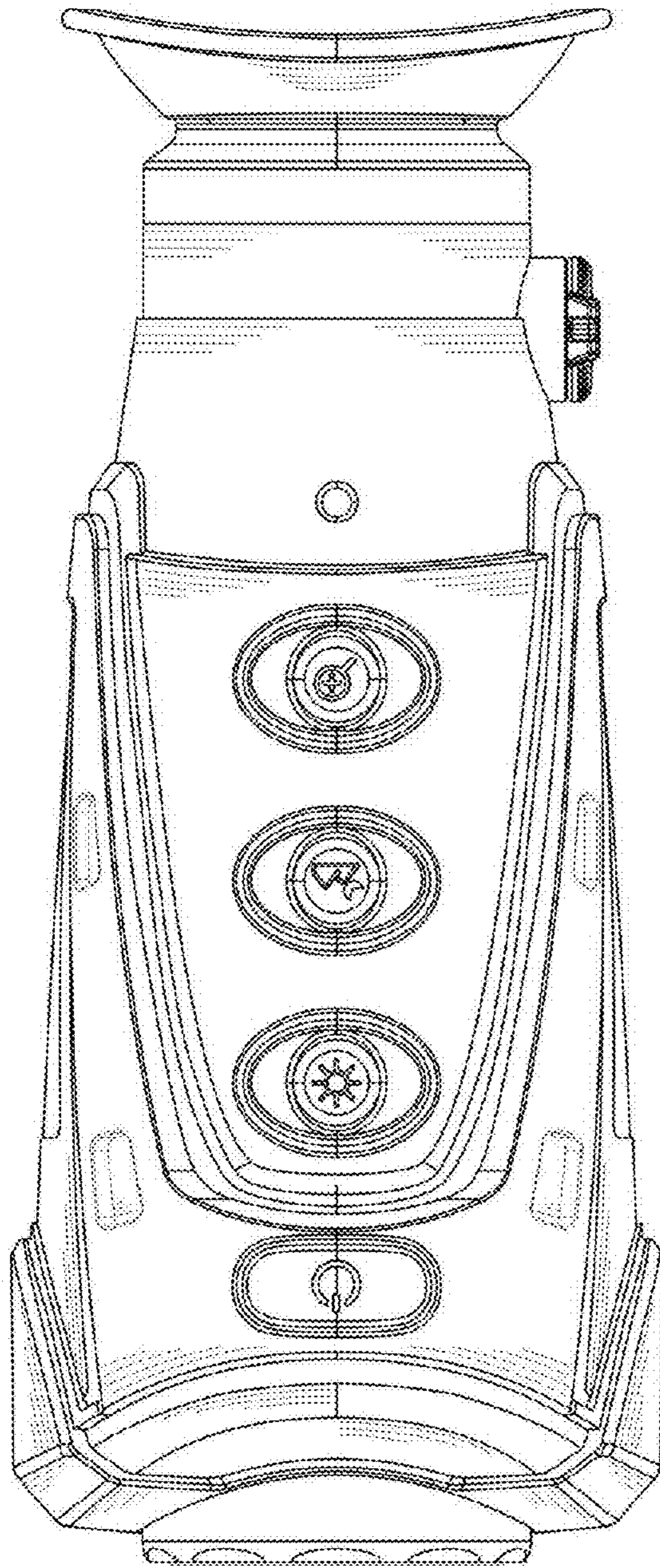


FIG. 5

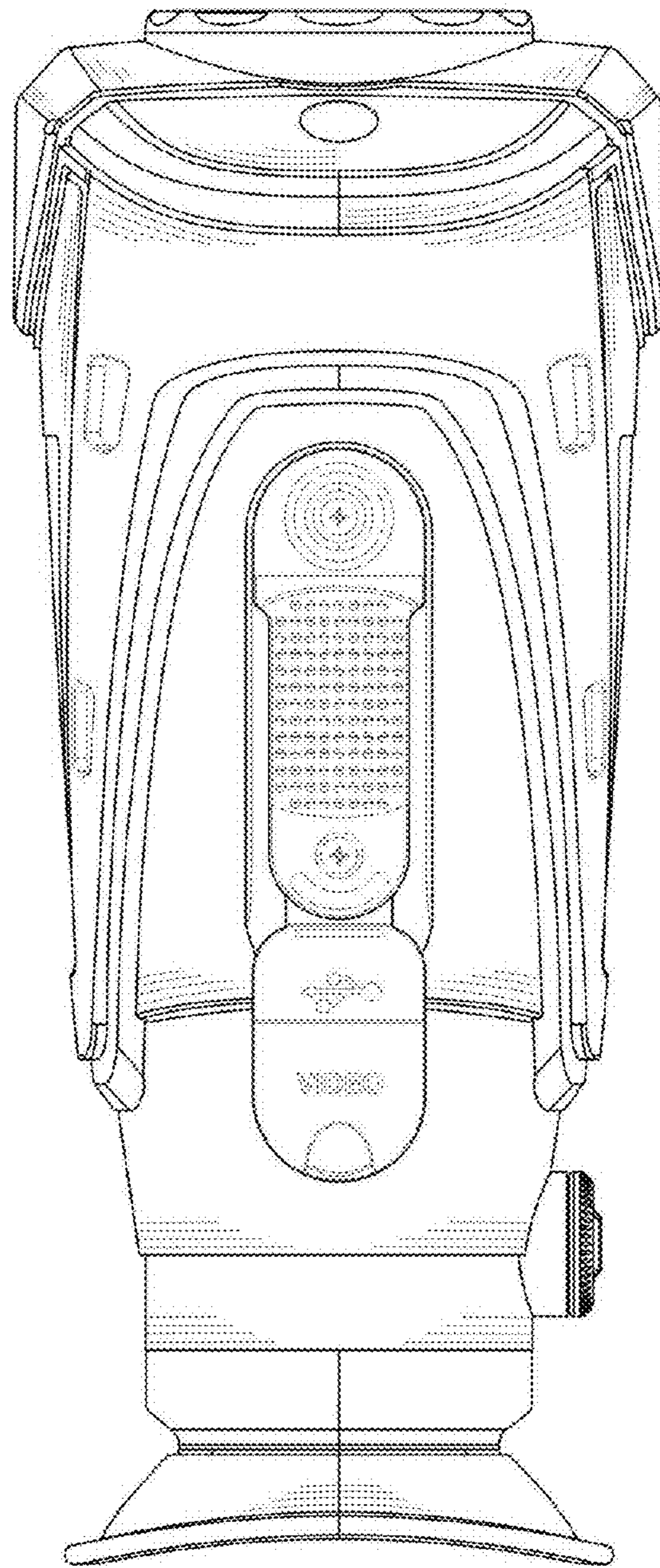


FIG. 6

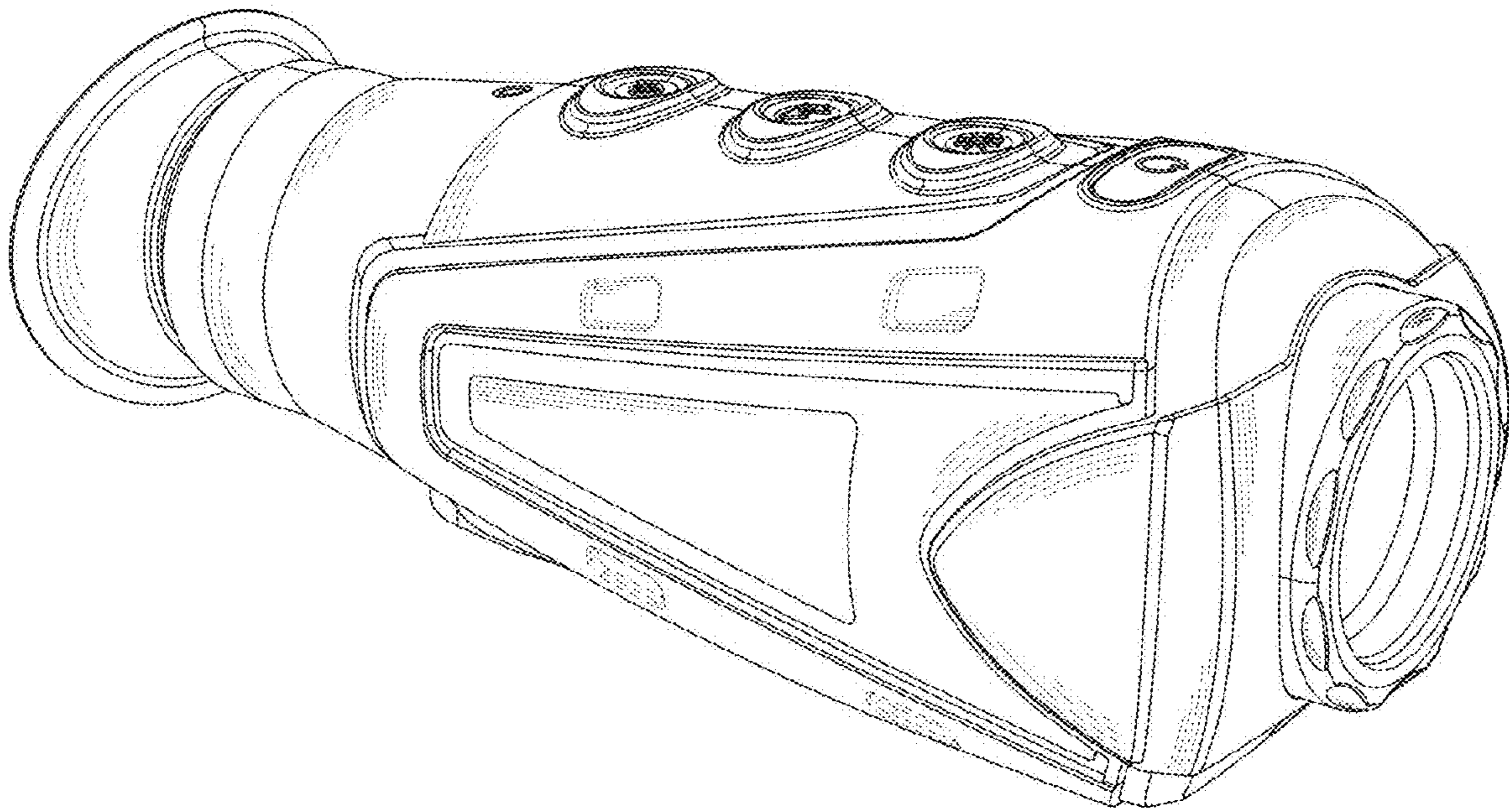


FIG. 7