



US00D71993S

(12) **United States Design Patent**
Soejima

(10) **Patent No.:** **US D719,993 S**

(45) **Date of Patent:** **** Dec. 23, 2014**

(54) **DIGITAL CAMERA**

(71) Applicant: **Nikon Corporation**, Tokyo (JP)

(72) Inventor: **Kenichi Soejima**, Yokohama (JP)

(73) Assignee: **Nikon Corporation**, Tokyo (JP)

(**) Term: **14 Years**

(21) Appl. No.: **29/465,620**

(22) Filed: **Aug. 29, 2013**

(51) **LOC (10) Cl.** **16-01**

(52) **U.S. Cl.**
USPC **D16/202**

(58) **Field of Classification Search**
USPC D16/200, 202, 204, 206, 208, 218;
348/373-376; 358/909.1; 396/535-541
See application file for complete search history.

(56) **References Cited**

U.S. PATENT DOCUMENTS

7,646,426 B2 * 1/2010 Saiki et al. 348/373
D647,552 S * 10/2011 Ogasawara et al. D16/202
D654,943 S * 2/2012 Ogasawara et al. D16/202

D695,328 S * 12/2013 Sul D16/202
D695,807 S * 12/2013 Tainaka D16/202
D700,229 S * 2/2014 Ham D16/202
D701,257 S * 3/2014 Ogawa D16/202

FOREIGN PATENT DOCUMENTS

JP 1466528 S 4/2013

* cited by examiner

Primary Examiner — Adir Aronovich

(74) *Attorney, Agent, or Firm* — Wolf, Greenfield & Sacks, P.C.; Randy J. Pritzker

(57) **CLAIM**

The ornamental design for a digital camera, as shown.

DESCRIPTION

FIG. 1 is a front perspective view of a digital camera showing my new design;
FIG. 2 is a rear perspective view thereof;
FIG. 3 is a front elevational view thereof;
FIG. 4 is a rear elevational view thereof;
FIG. 5 is a top plan view thereof;
FIG. 6 is a bottom plan view thereof;
FIG. 7 is a right side elevational view thereof; and,
FIG. 8 is a left side elevational view thereof.

1 Claim, 7 Drawing Sheets

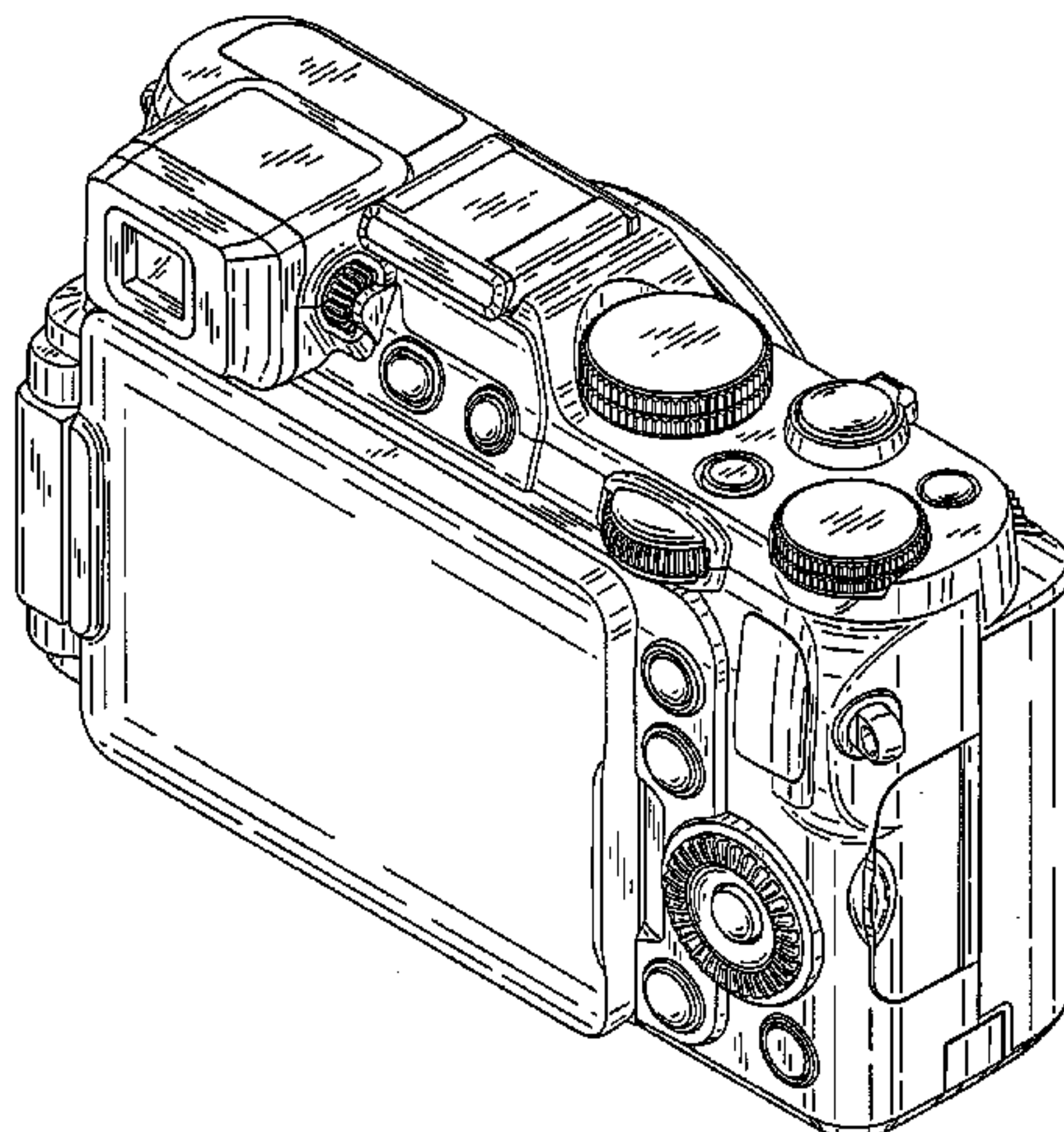
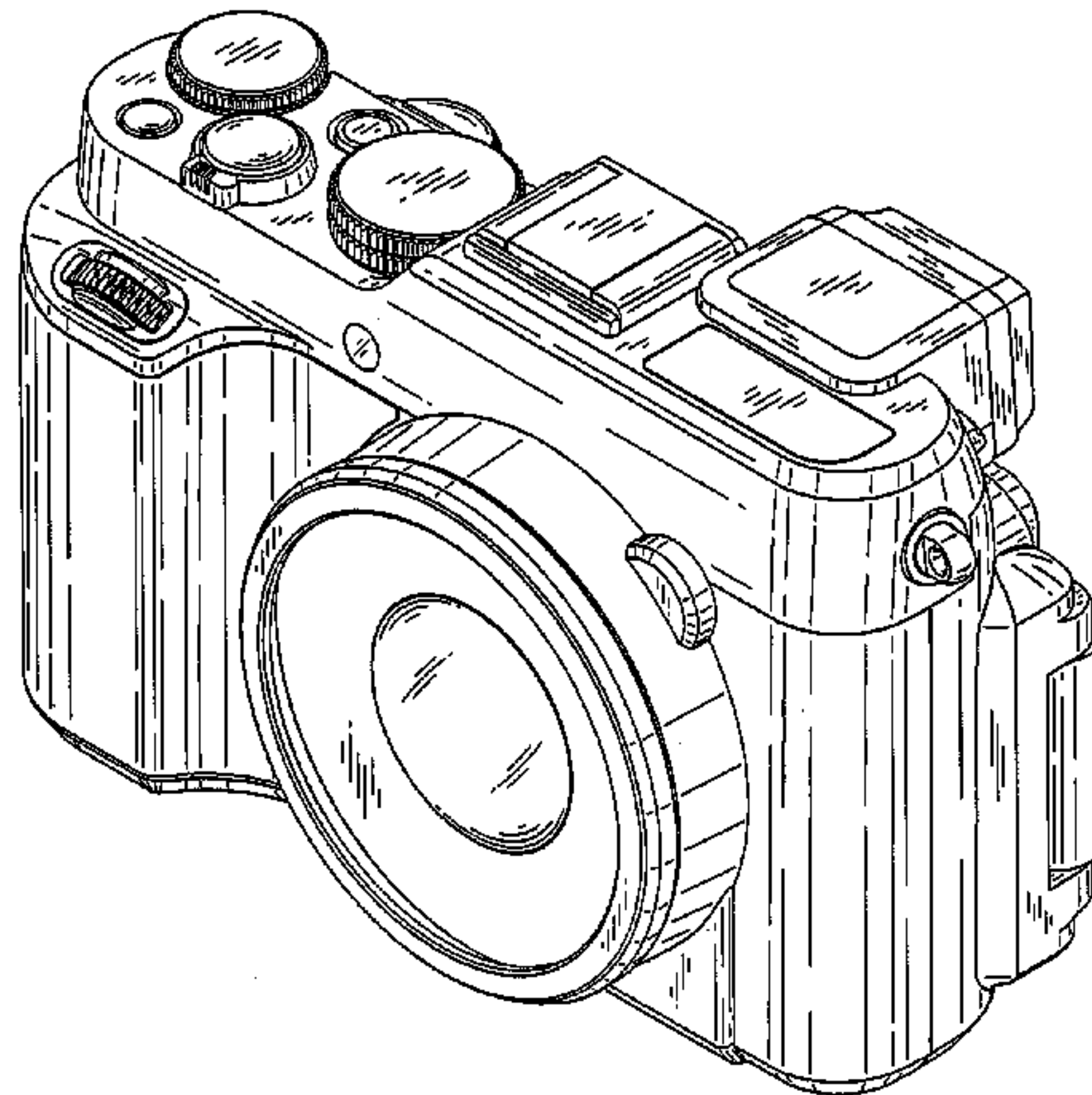


Fig. 1

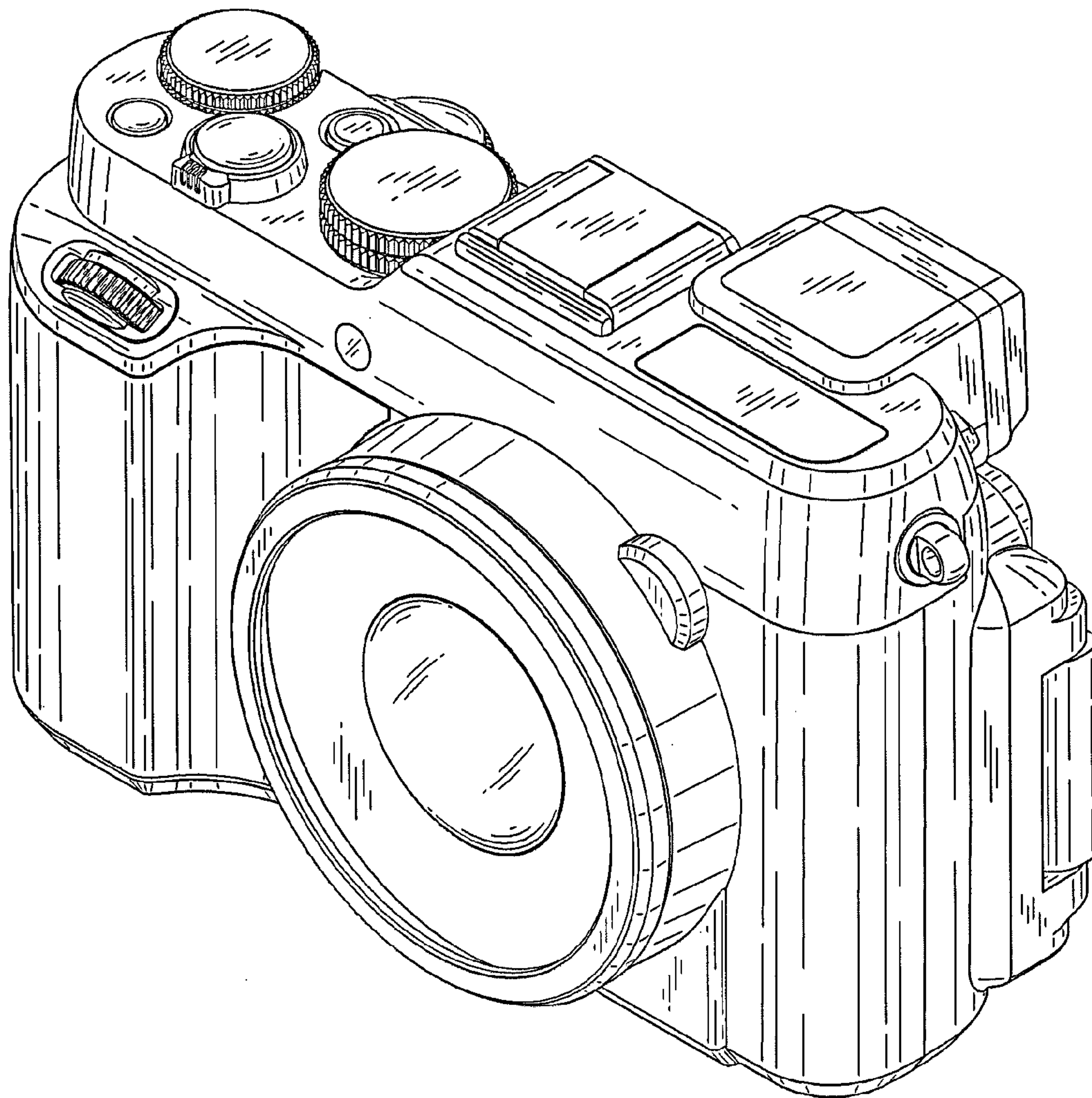
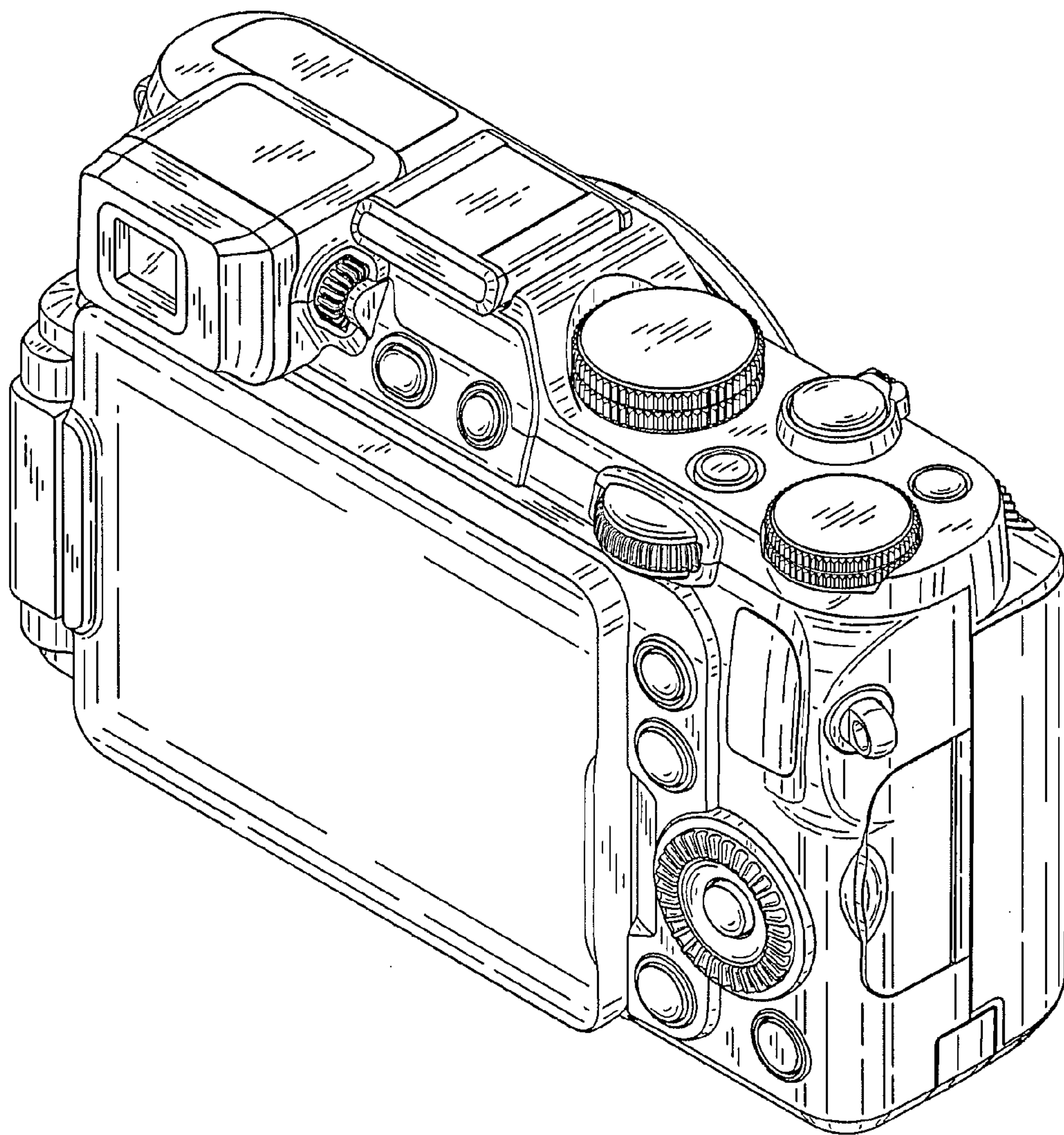


Fig. 2



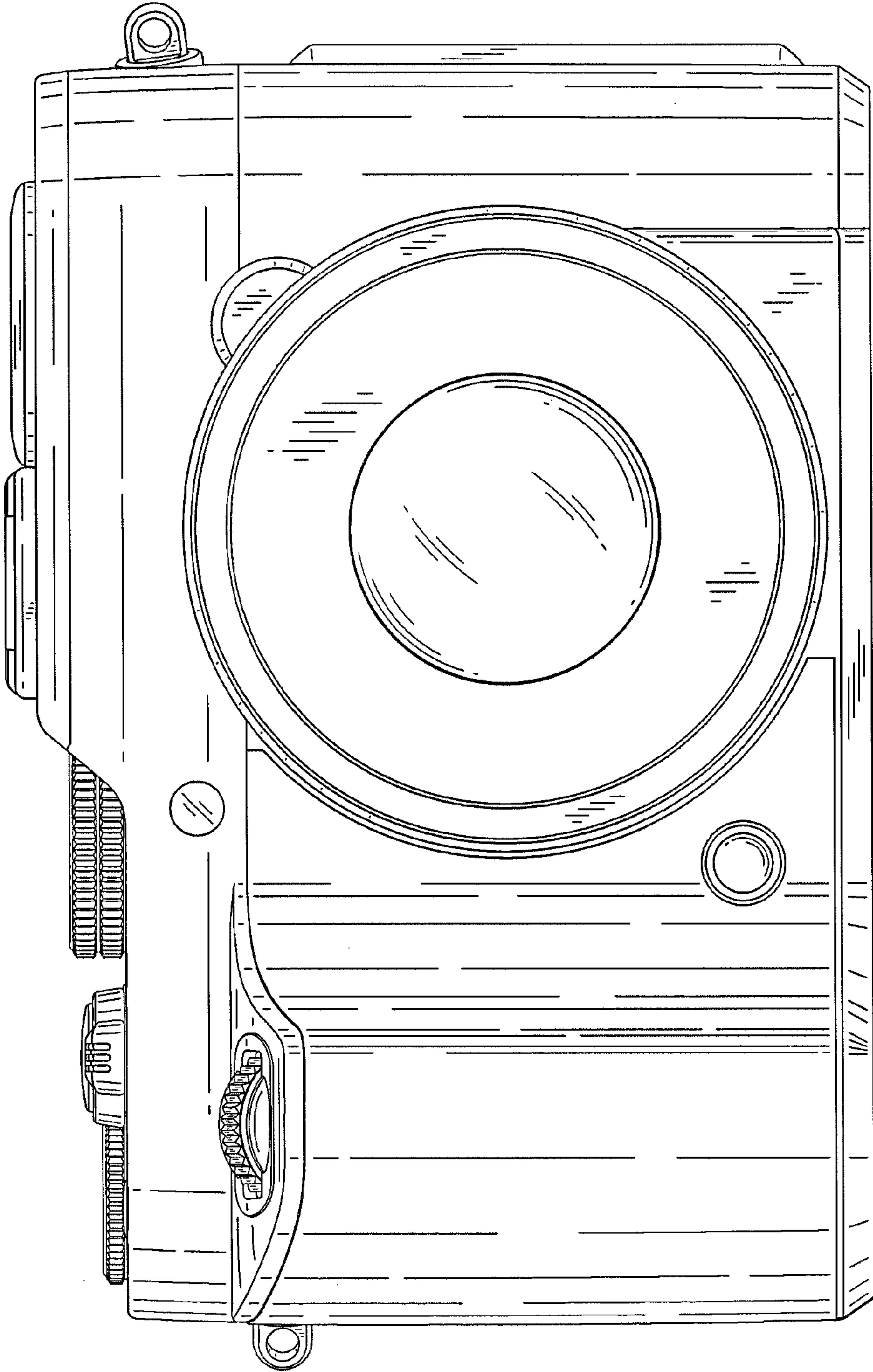


Fig. 3

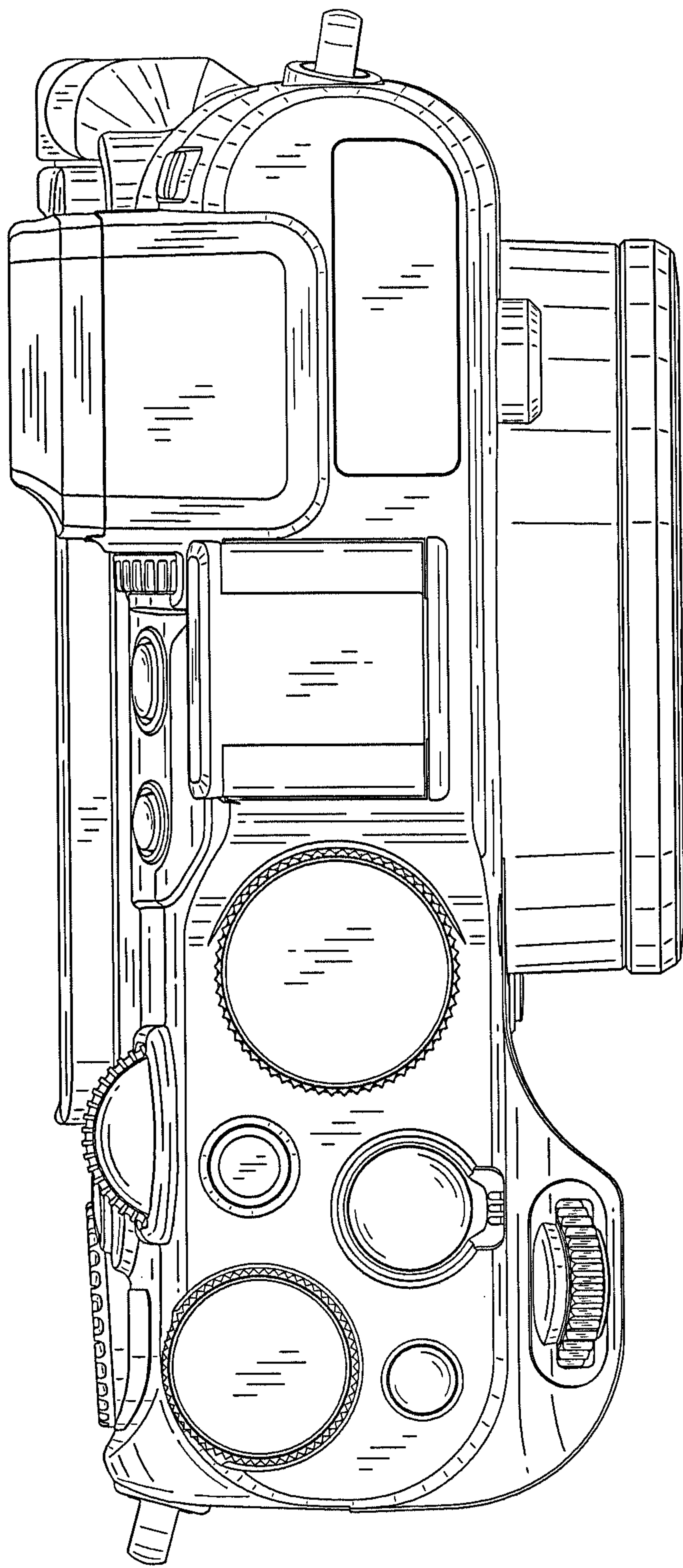


Fig. 5

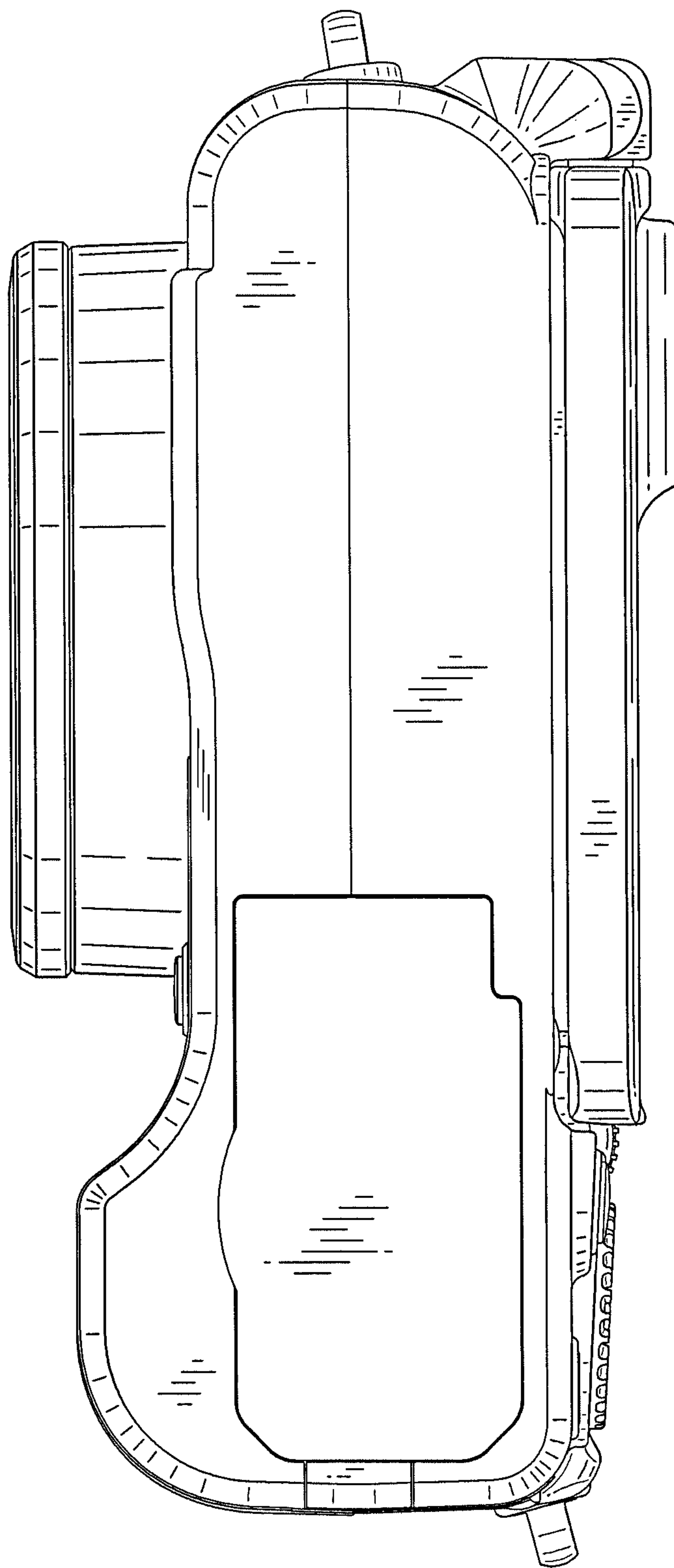


Fig. 5

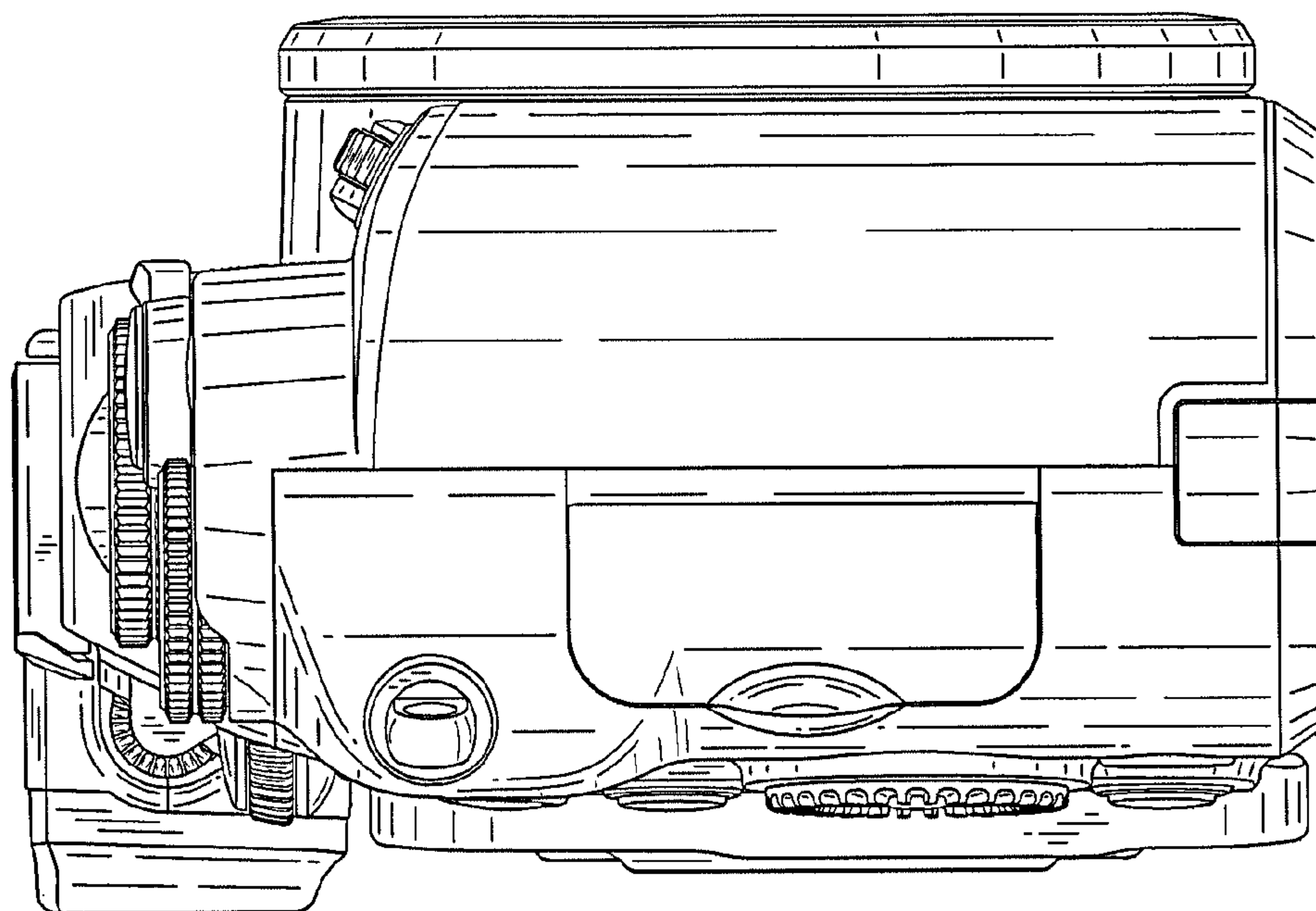


Fig. 8

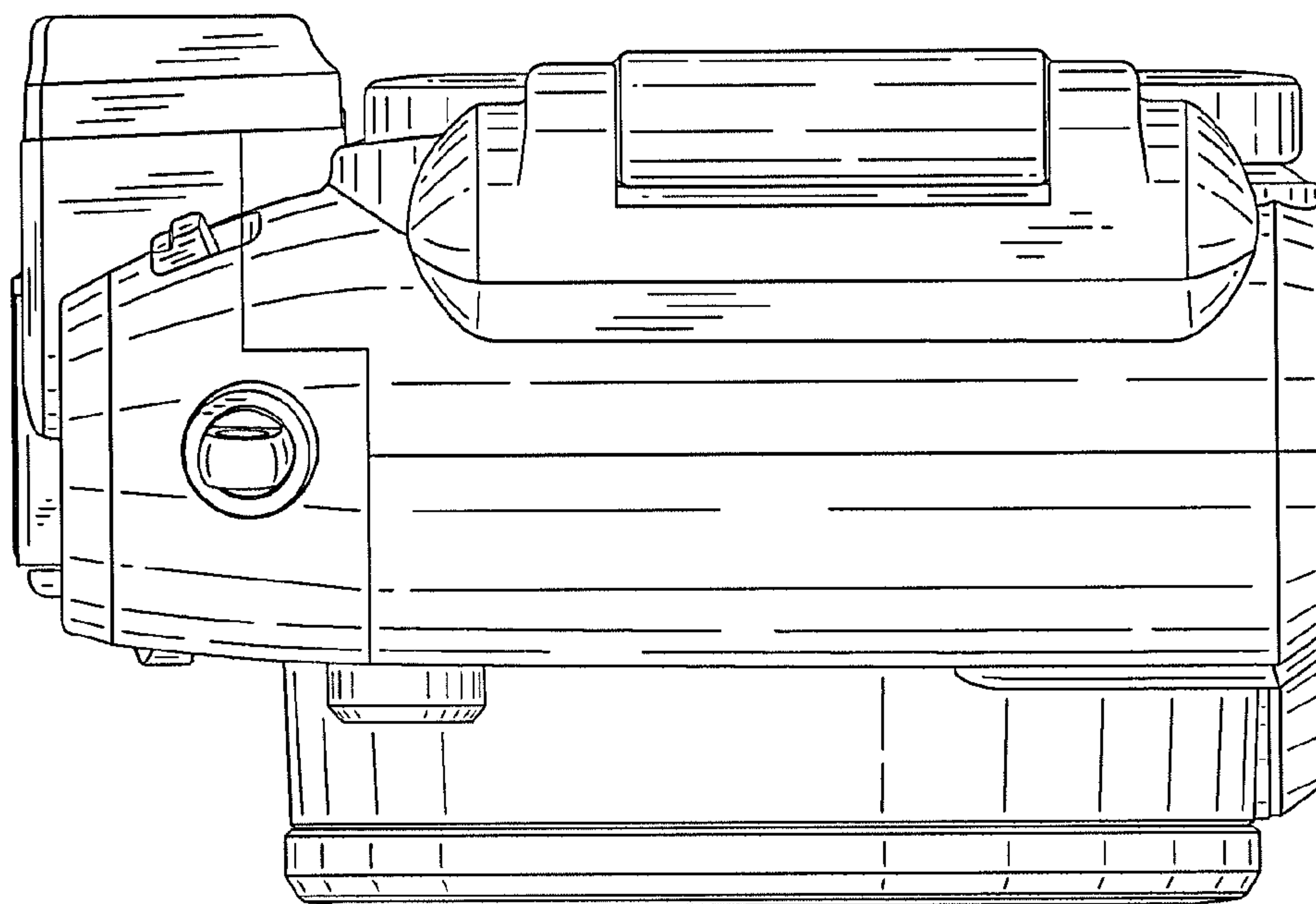


Fig. 7