



US00D71992S

(12) **United States Design Patent**
Peng

(10) **Patent No.:** **US D719,992 S**

(45) **Date of Patent:** **** Dec. 23, 2014**

(54) **OUTDOOR SPORTS VIDEO RECORDER**

Primary Examiner — Adir Aronovich

(76) **Inventor:** **Catherine Hsui-Feng Peng**, Kaohsiung (TW)

(74) *Attorney, Agent, or Firm* — Muncy, Geissler, Olds & Lowe, P.C.

(**) **Term:** **14 Years**

(21) **Appl. No.:** **29/424,586**

(57) **CLAIM**

The ornamental design for an outdoor sports video recorder, as shown and described.

(22) **Filed:** **Jun. 13, 2012**

(51) **LOC (10) Cl.** **16-01**

(52) **U.S. Cl.**
USPC **D16/202**

(58) **Field of Classification Search**
USPC D16/200, 202, 204, 208, 218;
348/373–376; 358/909.1; 396/535–541
See application file for complete search history.

DESCRIPTION

FIG. 1 is a front perspective view of an outdoor sports video recorder showing my new design;
FIG. 2 is a front elevational view thereof;
FIG. 3 is a rear elevational view thereof;
FIG. 4 is a left side elevational view thereof;
FIG. 5 is a right side elevational view thereof;
FIG. 6 is a top plan view thereof;
FIG. 7 is a bottom plan view thereof; and,
FIG. 8 is a top, front and right side perspective view of the outer sports video recorder with a waterproof case shown in broken lines to illustrate environment only and forms no part of the claimed design.

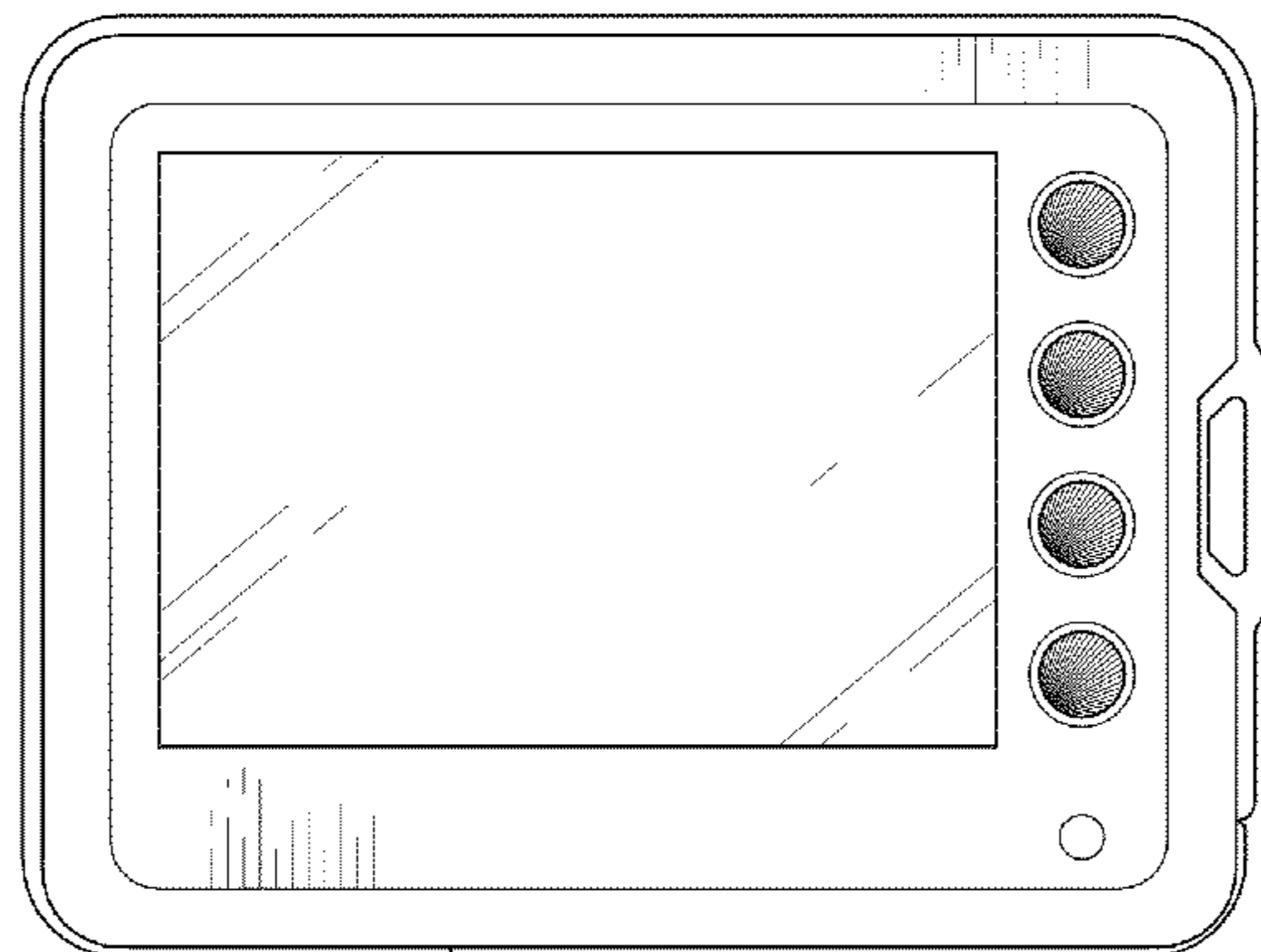
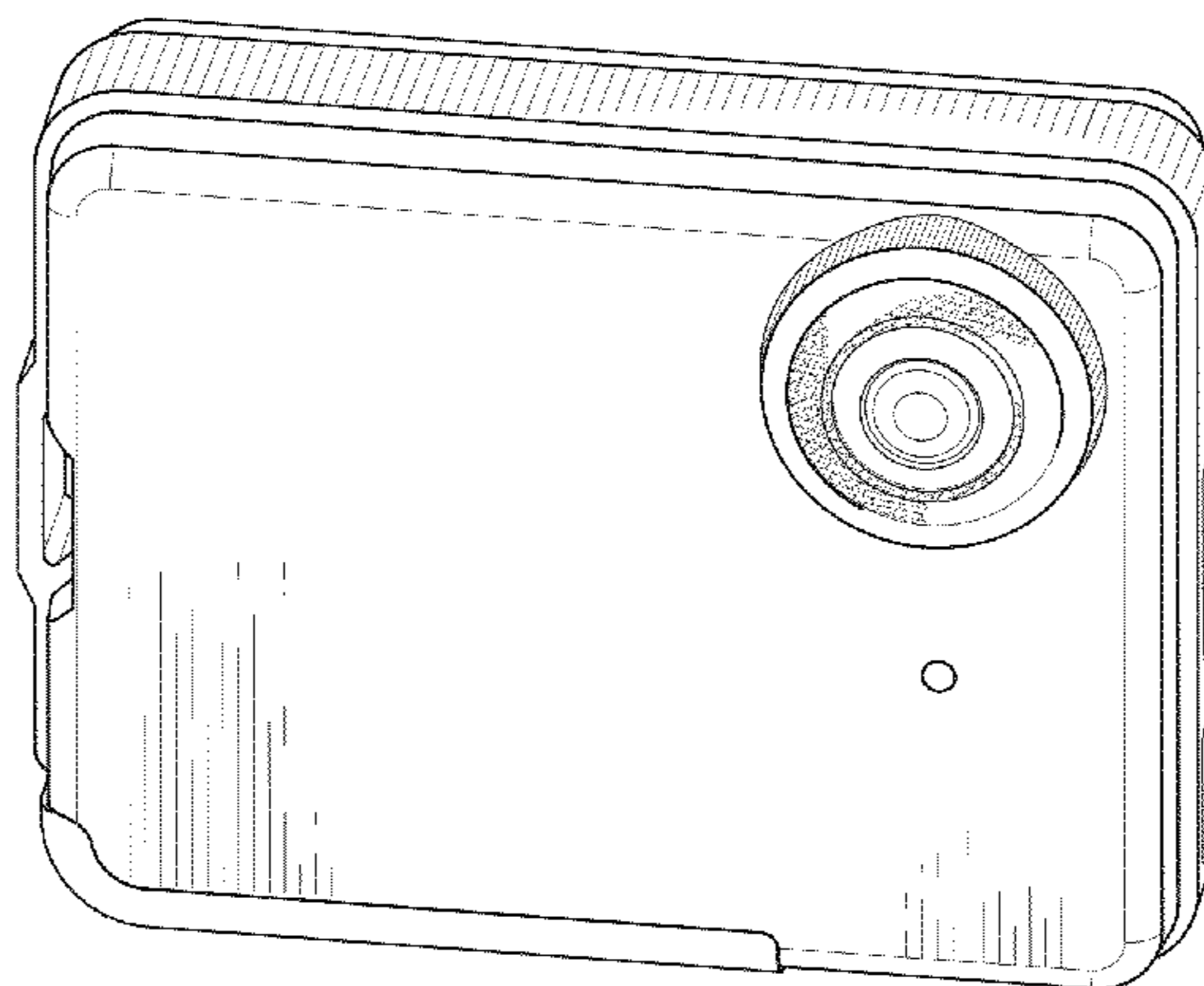
(56) **References Cited**

U.S. PATENT DOCUMENTS

| | | | | |
|----------------|---------|-----------|-------|-----------|
| D601,604 S * | 10/2009 | Kim | | D16/202 |
| D609,731 S * | 2/2010 | Yagi | | D16/202 |
| 7,675,478 B2 * | 3/2010 | Yamazaki | | 358/909.1 |
| D661,330 S * | 6/2012 | Yu et al. | | D16/202 |
| D669,516 S * | 10/2012 | Nakamura | | D16/202 |
| D683,780 S * | 6/2013 | Sakai | | D16/202 |

* cited by examiner

1 Claim, 5 Drawing Sheets



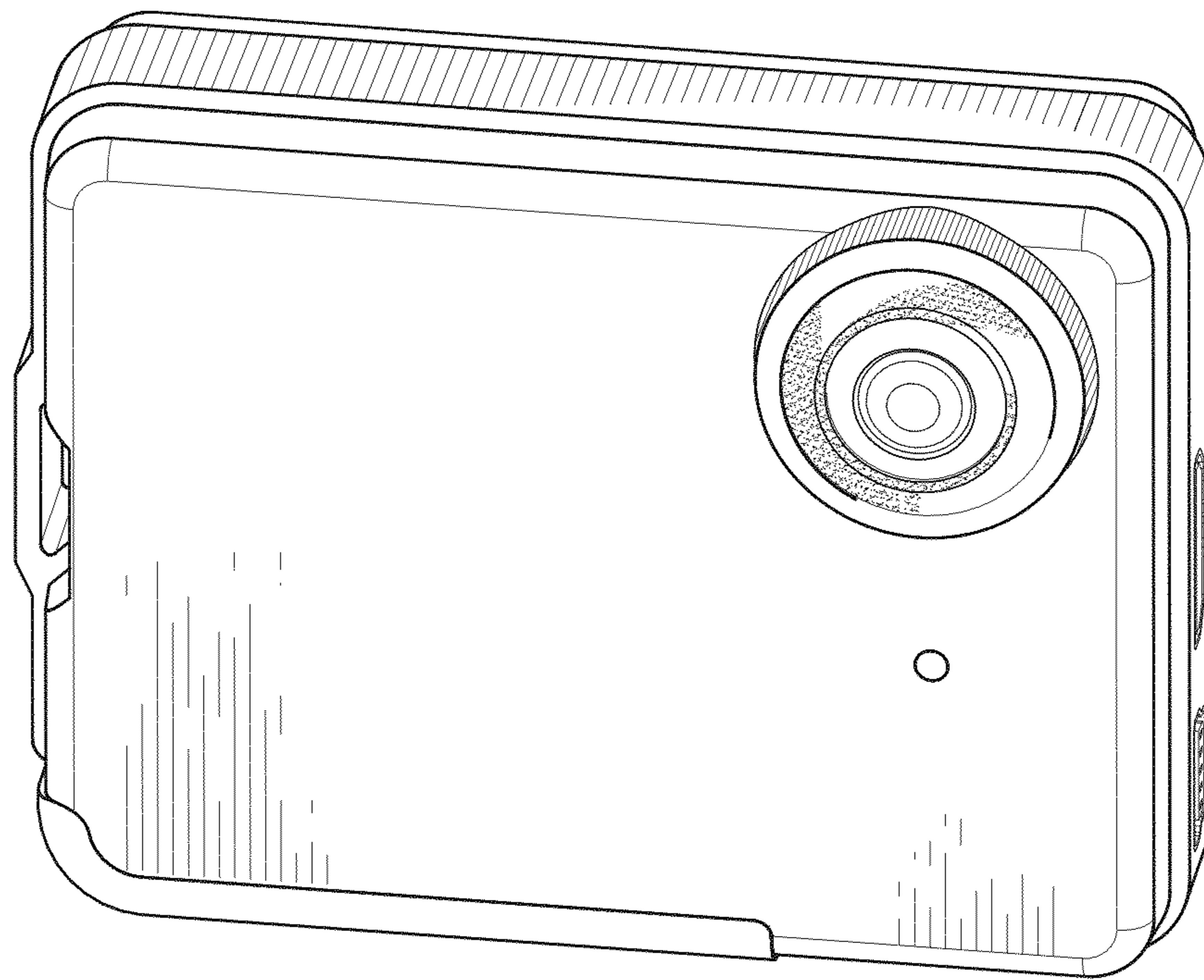


FIG. 1

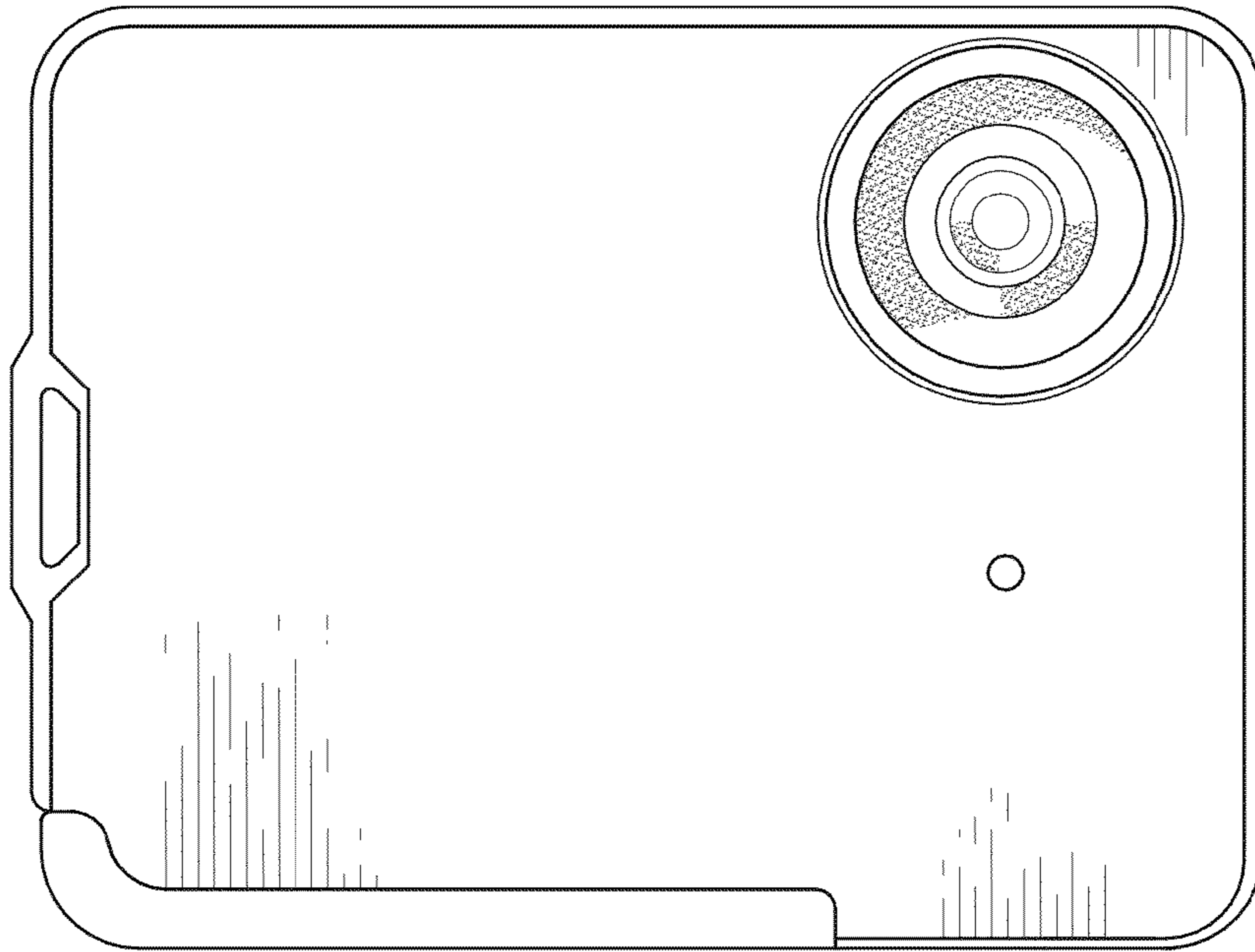


FIG. 2

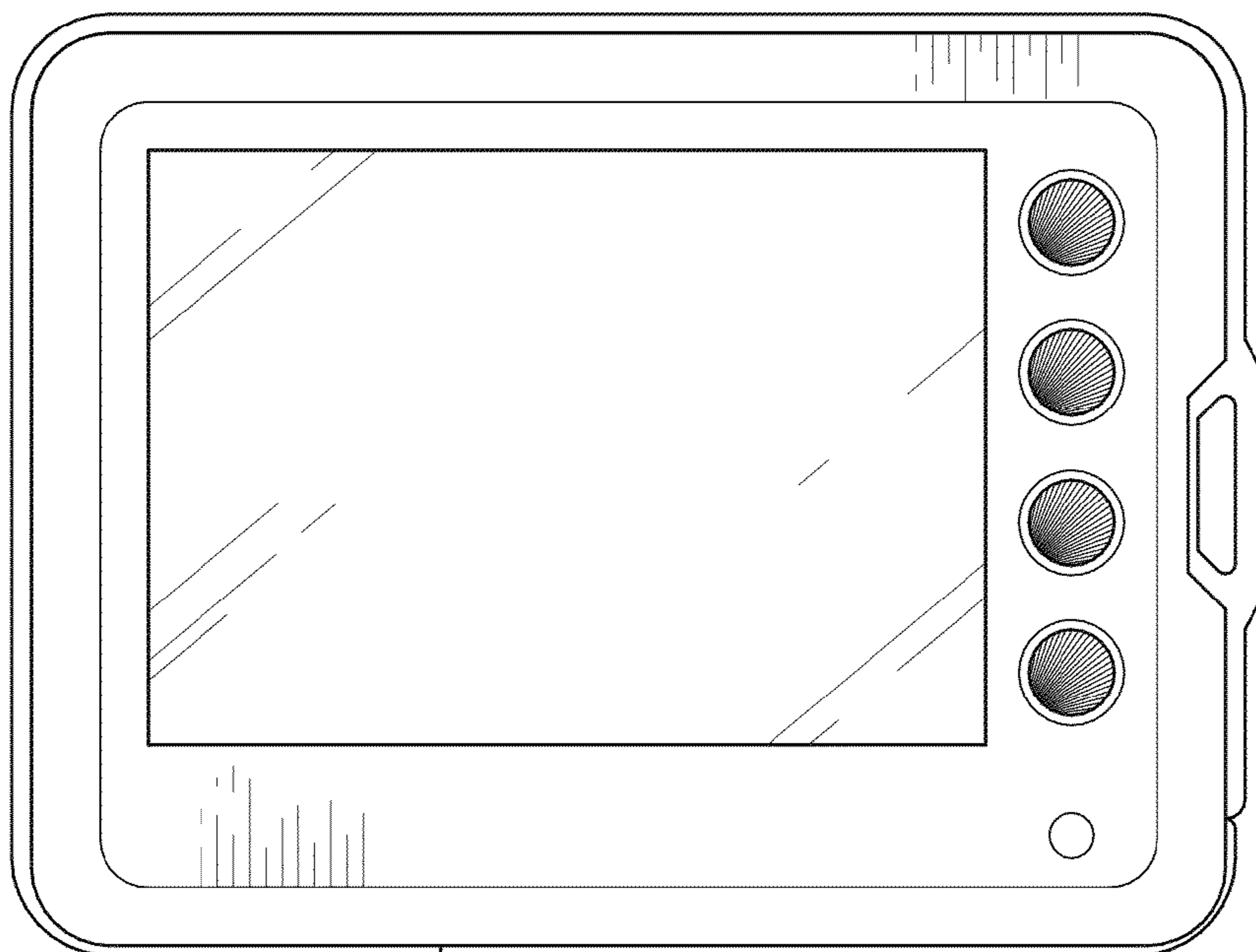


FIG. 3

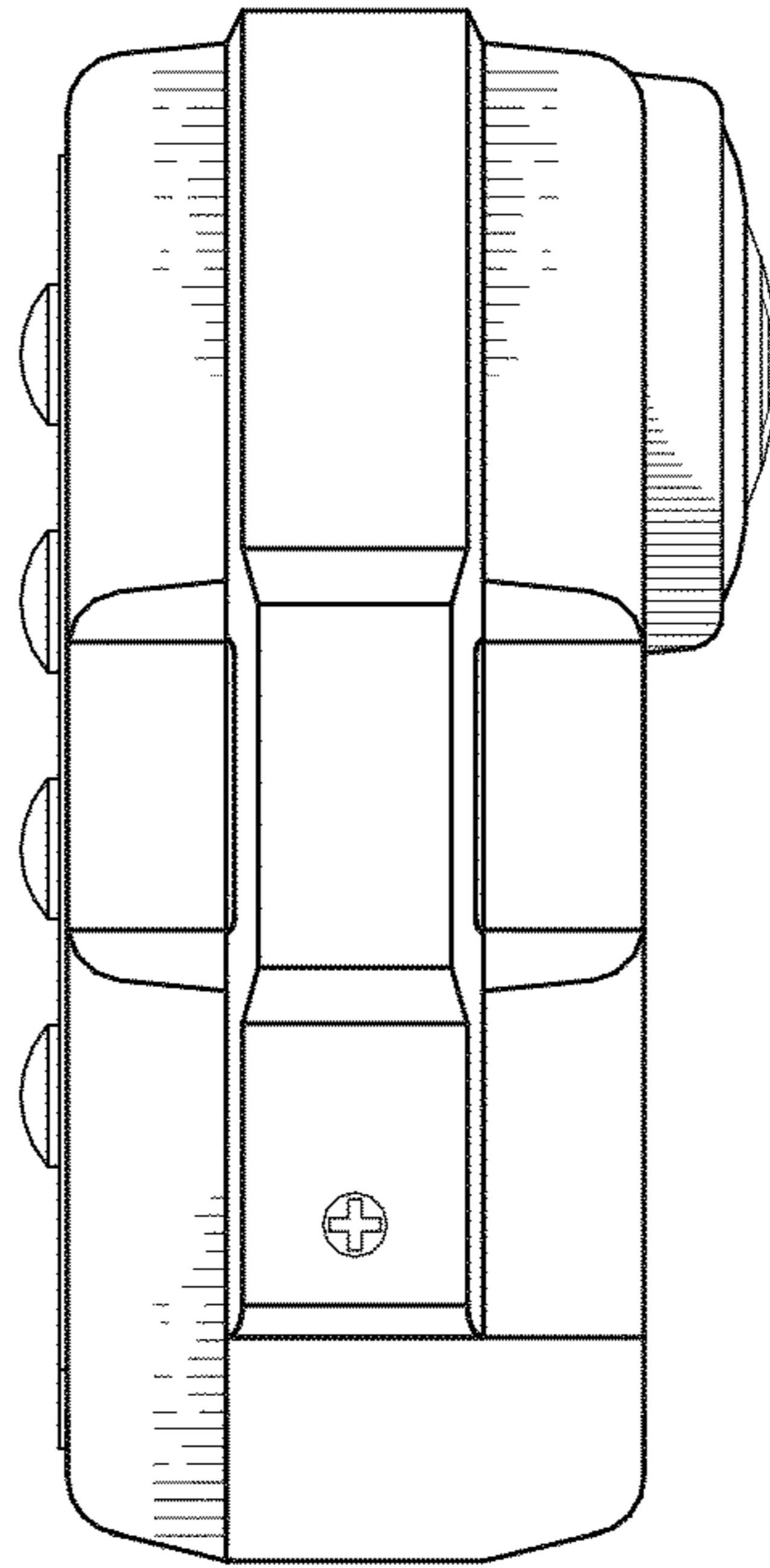


FIG. 4

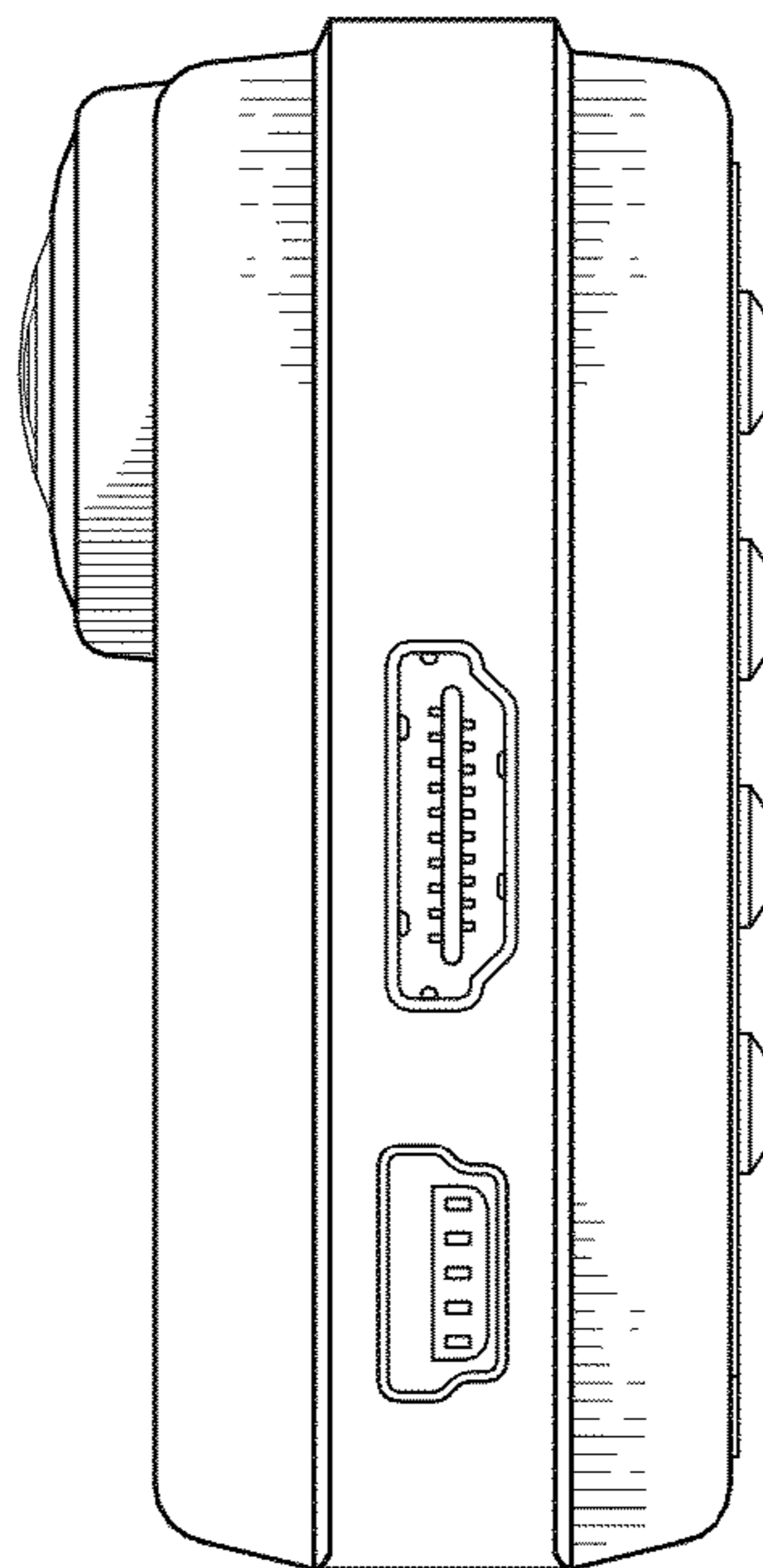


FIG. 5

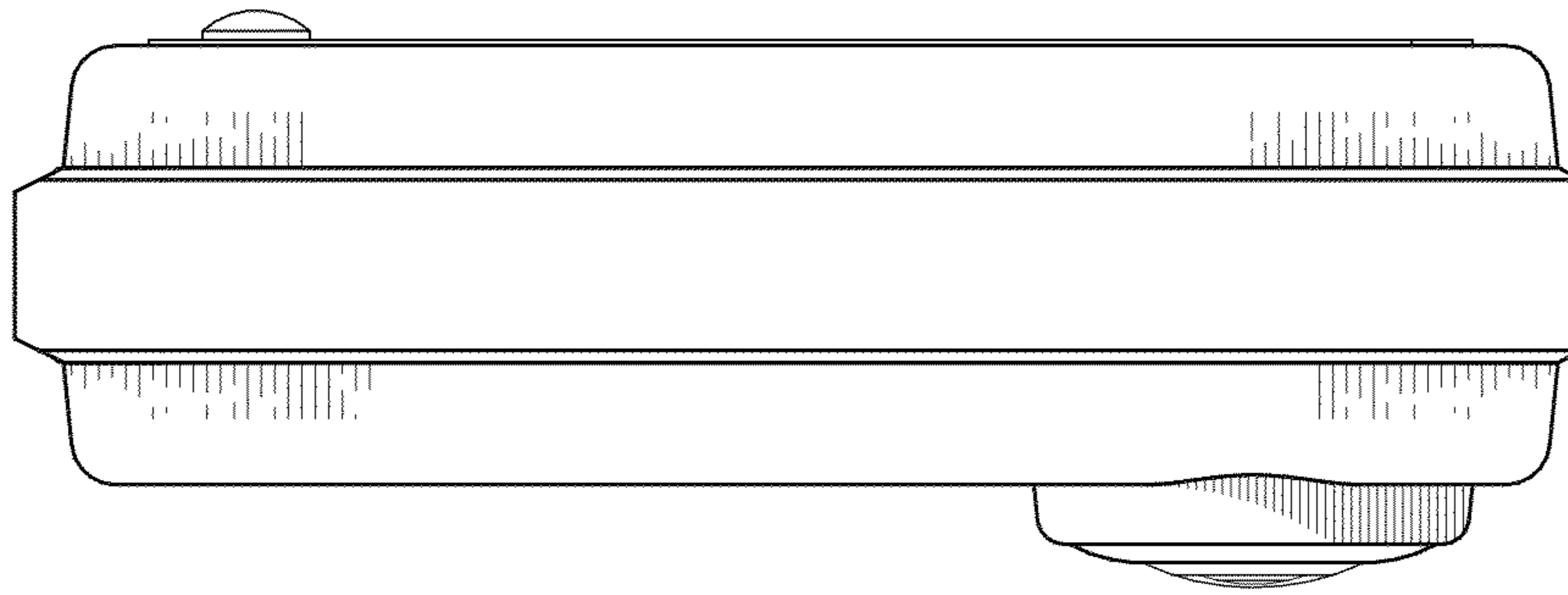


FIG. 6

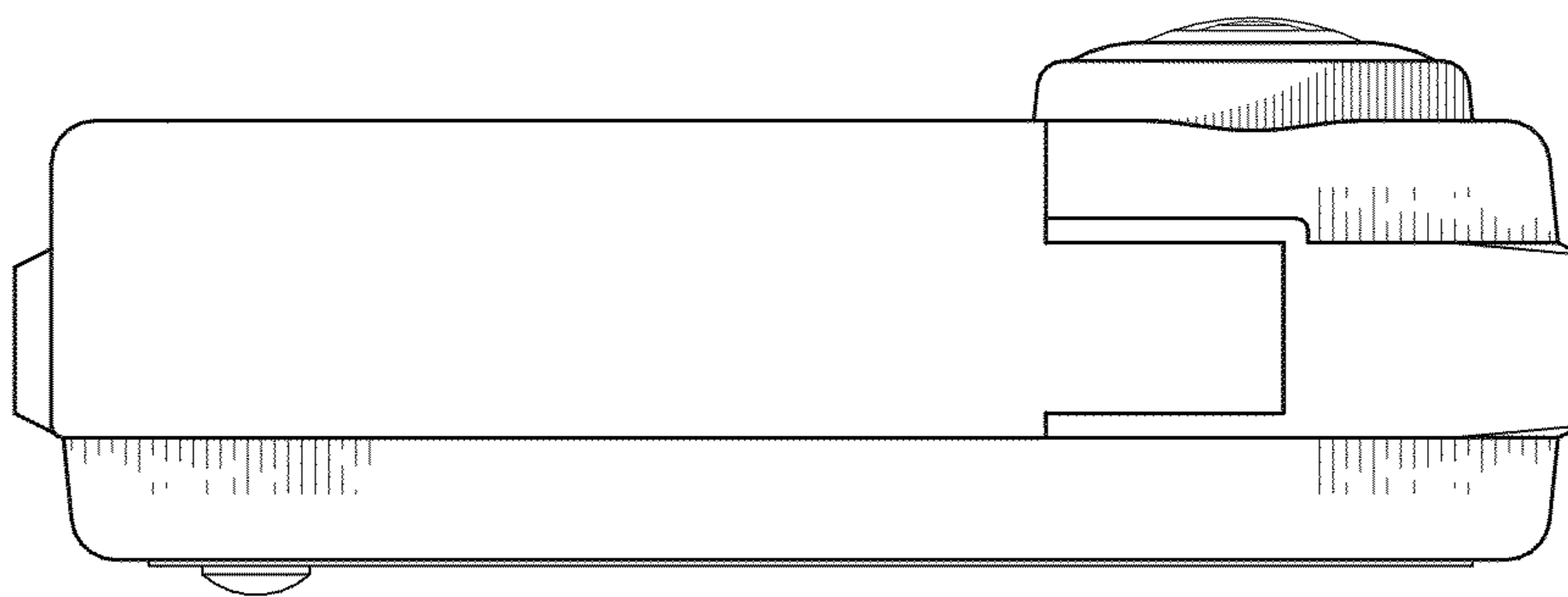


FIG. 7

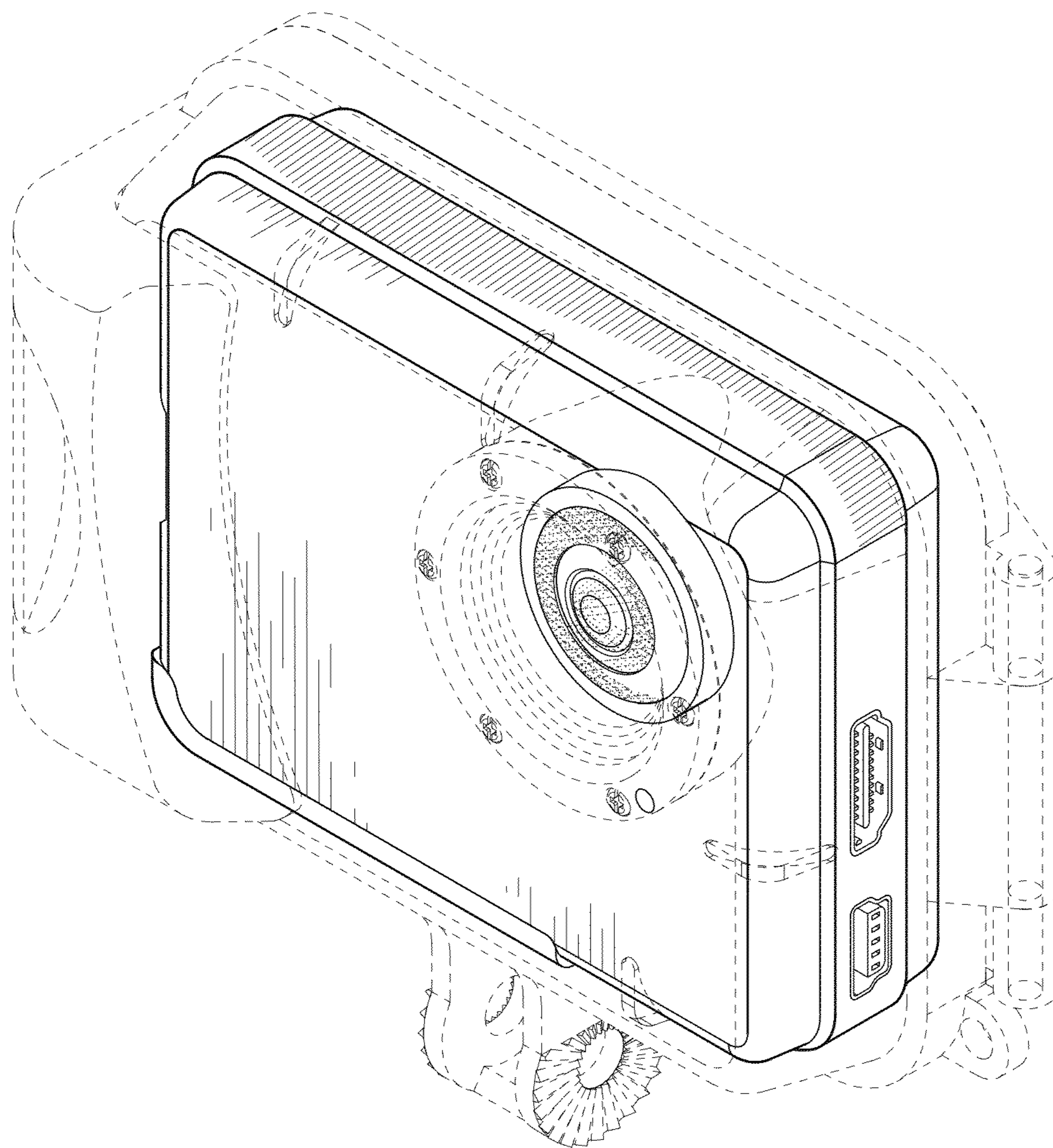


FIG. 8