



US00D719991S

(12) **United States Design Patent**  
**Ko**

(10) **Patent No.:** **US D719,991 S**

(45) **Date of Patent:** **\*\* Dec. 23, 2014**

(54) **AUTOMATIC WATCH WINDING BOX**

(71) Applicant: **Abest Products Resourcing Inc.,**  
Taichung (TW)

(72) Inventor: **Yan Ko,** Taichung (TW)

(73) Assignee: **Abest Products Resourcing Inc.,**  
Taichung (TW)

(\*\*) Term: **14 Years**

(21) Appl. No.: **29/495,719**

(22) Filed: **Jul. 3, 2014**

(51) **LOC (10) Cl.** ..... **15-99**

(52) **U.S. Cl.**  
USPC ..... **D15/199**

(58) **Field of Classification Search**  
USPC ..... D3/298; D9/418, 420; D15/199; 81/7.5;  
366/14; 368/10, 206-209

See application file for complete search history.

(56) **References Cited**

**U.S. PATENT DOCUMENTS**

2,863,345	A *	12/1958	Fiechter	81/7.5
D349,553	S *	8/1994	Au	D9/422
D440,583	S *	4/2001	Greene, Jr.	D15/199
D455,449	S *	4/2002	Siu	D15/199
D474,216	S *	5/2003	Siu	D15/199
6,910,802	B2 *	6/2005	Rustioni	368/206
D511,537	S *	11/2005	Huang	D15/199
6,964,513	B1 *	11/2005	Agnoff	368/206
D512,448	S *	12/2005	Christianson	D15/199
D513,024	S *	12/2005	Christianson	D15/199

D513,568	S *	1/2006	Au	D6/470
D520,540	S *	5/2006	Siu	D15/199
7,198,401	B2 *	4/2007	Louie	368/206
D556,227	S *	11/2007	Au	D15/199
D607,028	S *	12/2009	Subilia	D15/199
D658,696	S *	5/2012	Au	D15/199
D707,118	S *	6/2014	Au	D9/420
2005/0254352	A1 *	11/2005	Wolf et al.	368/206
2008/0247278	A1 *	10/2008	Walker et al.	368/206
2009/0294320	A1 *	12/2009	Wolf et al.	206/486
2010/0165798	A1 *	7/2010	Huang	368/206
2012/0082011	A1 *	4/2012	Liao	368/206

\* cited by examiner

*Primary Examiner* — Patricia Palasik

(74) *Attorney, Agent, or Firm* — Banger Shia

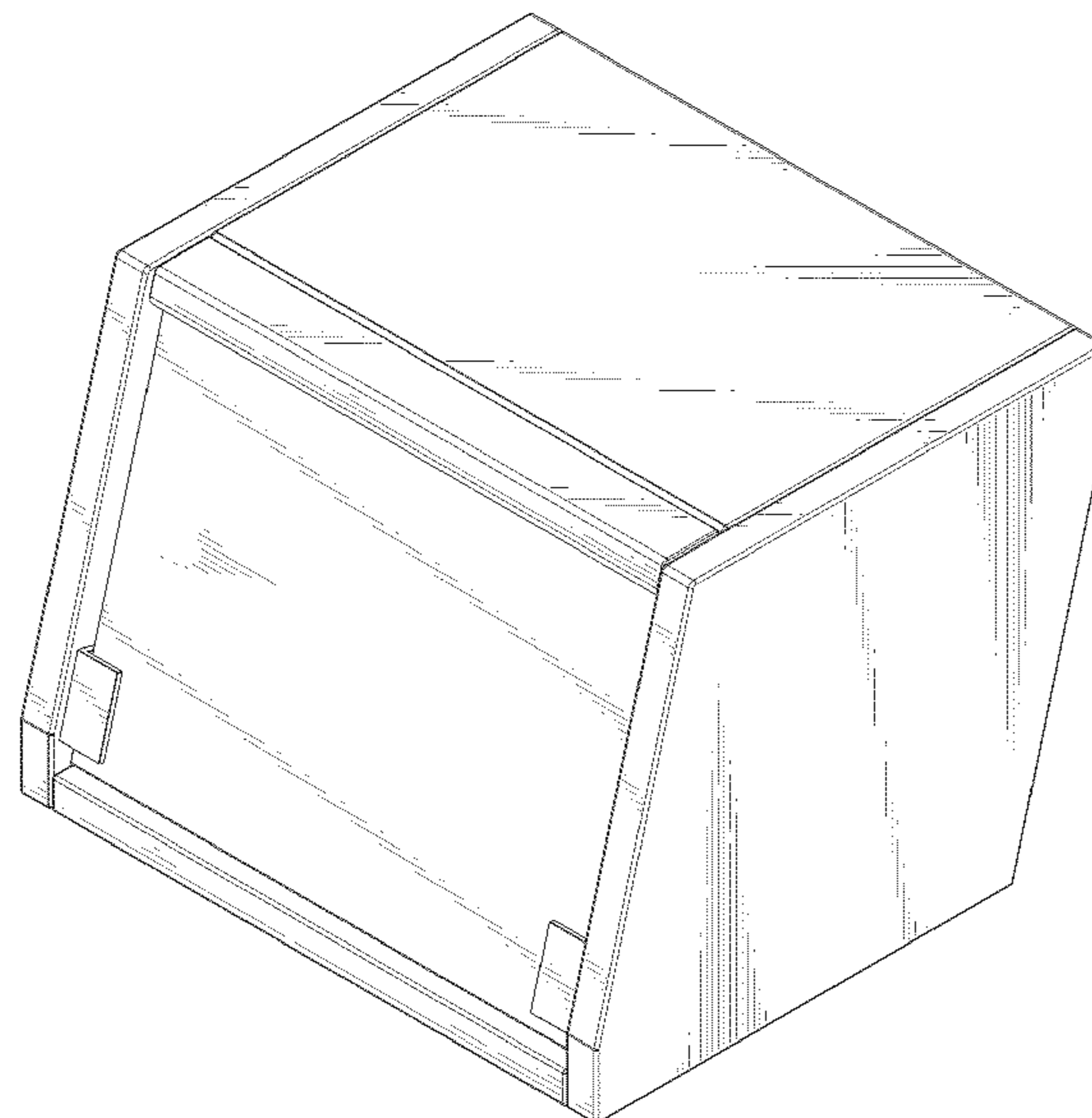
(57) **CLAIM**

The ornamental design for an automatic watch winding box, as shown and described.

**DESCRIPTION**

FIG. 1 is a perspective view of an automatic watch winding box showing my new design;  
 FIG. 2 is a perspective view from the back thereof;  
 FIG. 3 is a front elevational view thereof;  
 FIG. 4 is a rear elevational view thereof;  
 FIG. 5 is a right side elevational view, a left side elevational view being a mirror image thereof;  
 FIG. 6 is a top plan view thereof;  
 FIG. 7 is a bottom plan view thereof; and,  
 FIG. 8 is a perspective view thereof shown in use.  
 The broken lines are shown for illustrative purposes only and form no part of claimed design.

**1 Claim, 6 Drawing Sheets**



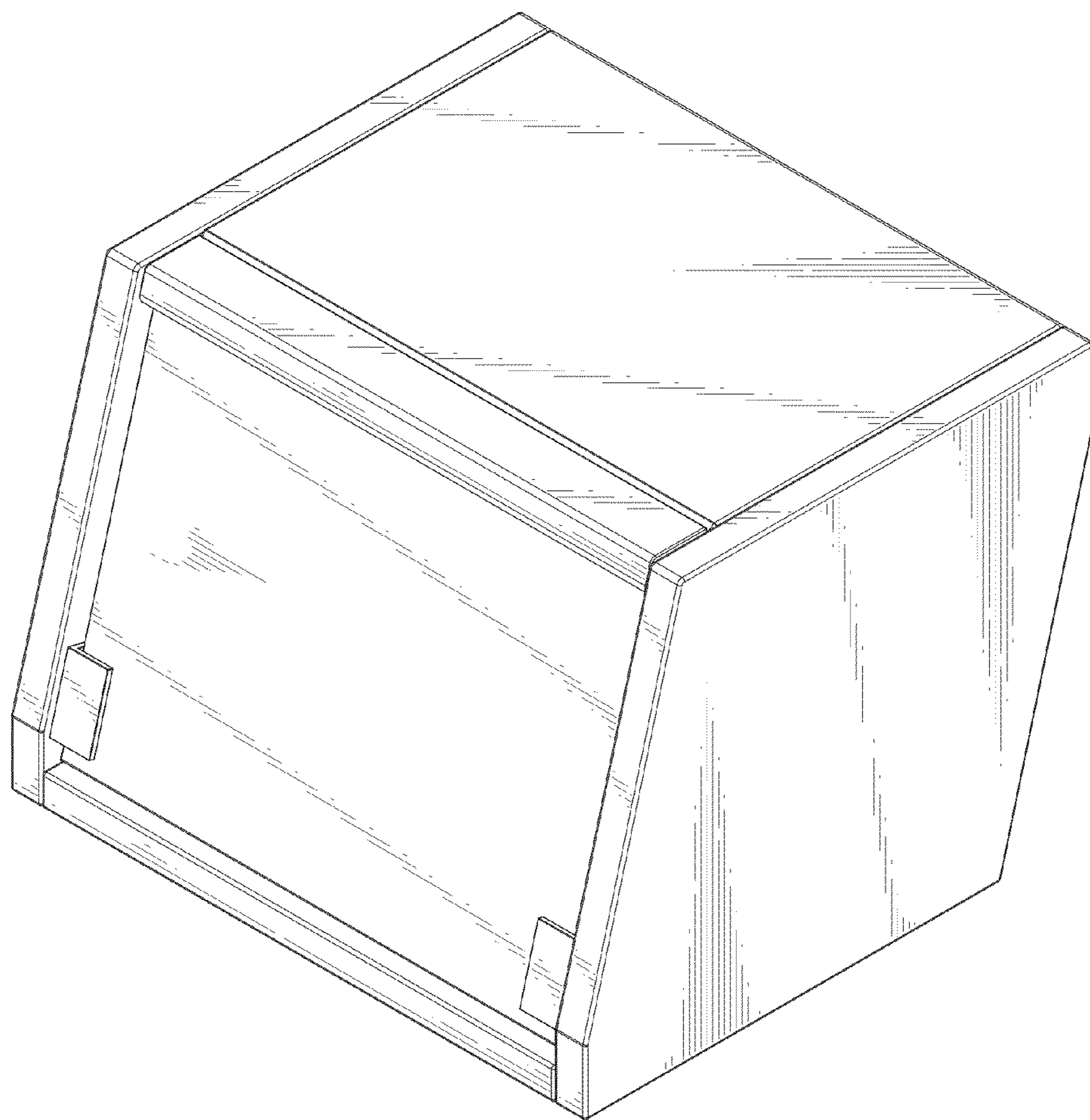


FIG. 1

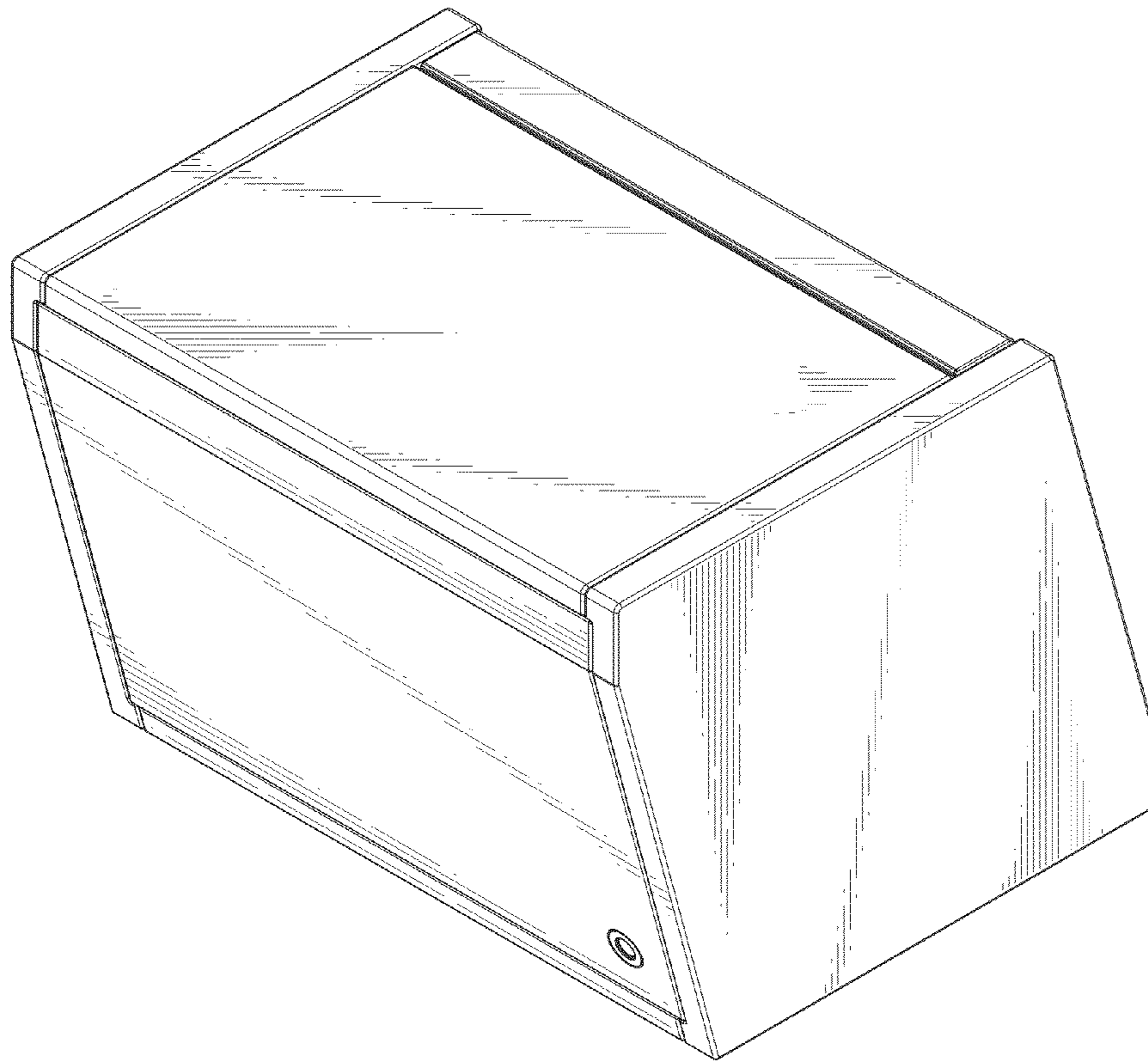


FIG.2

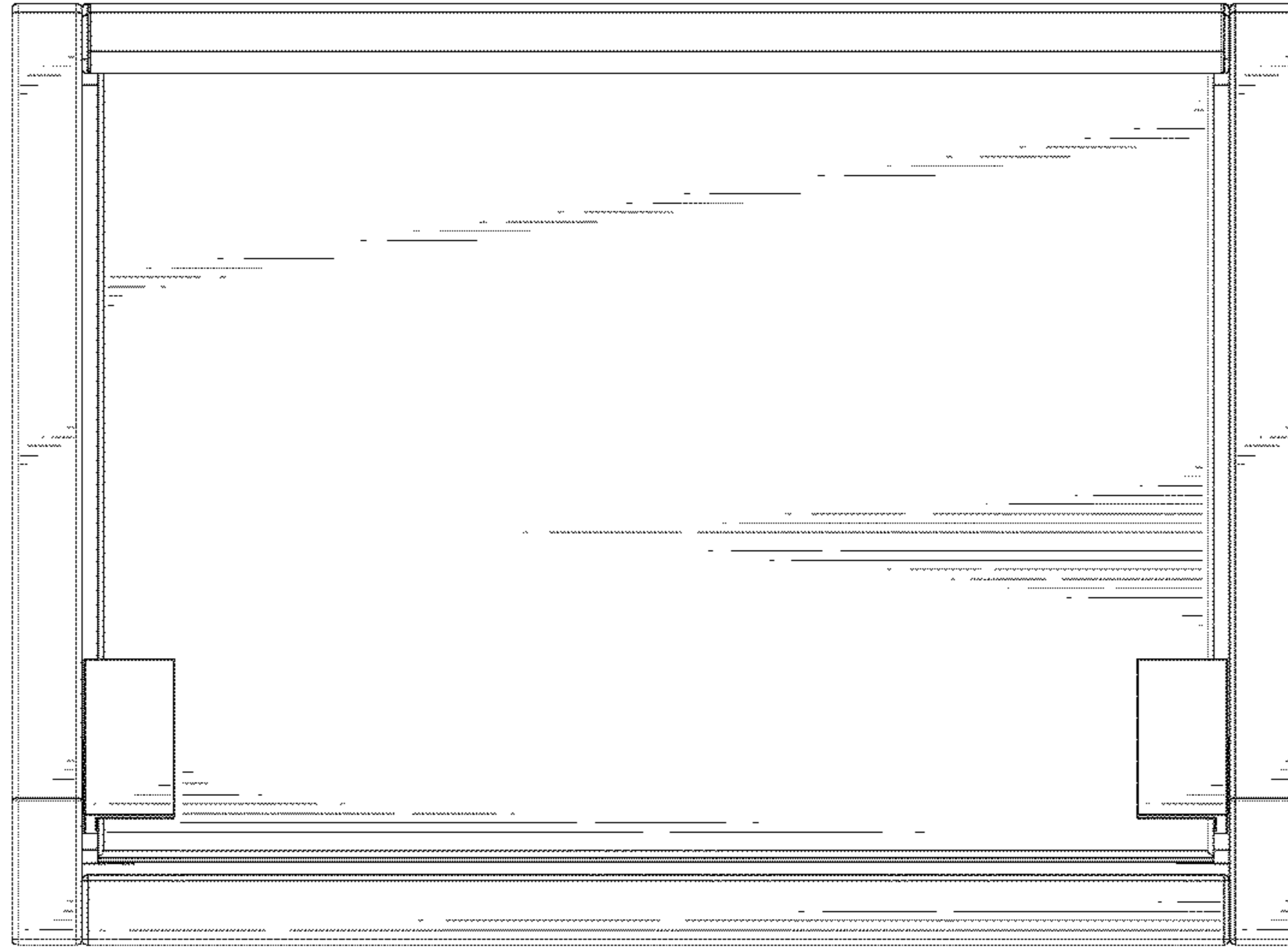


FIG.3



FIG.4

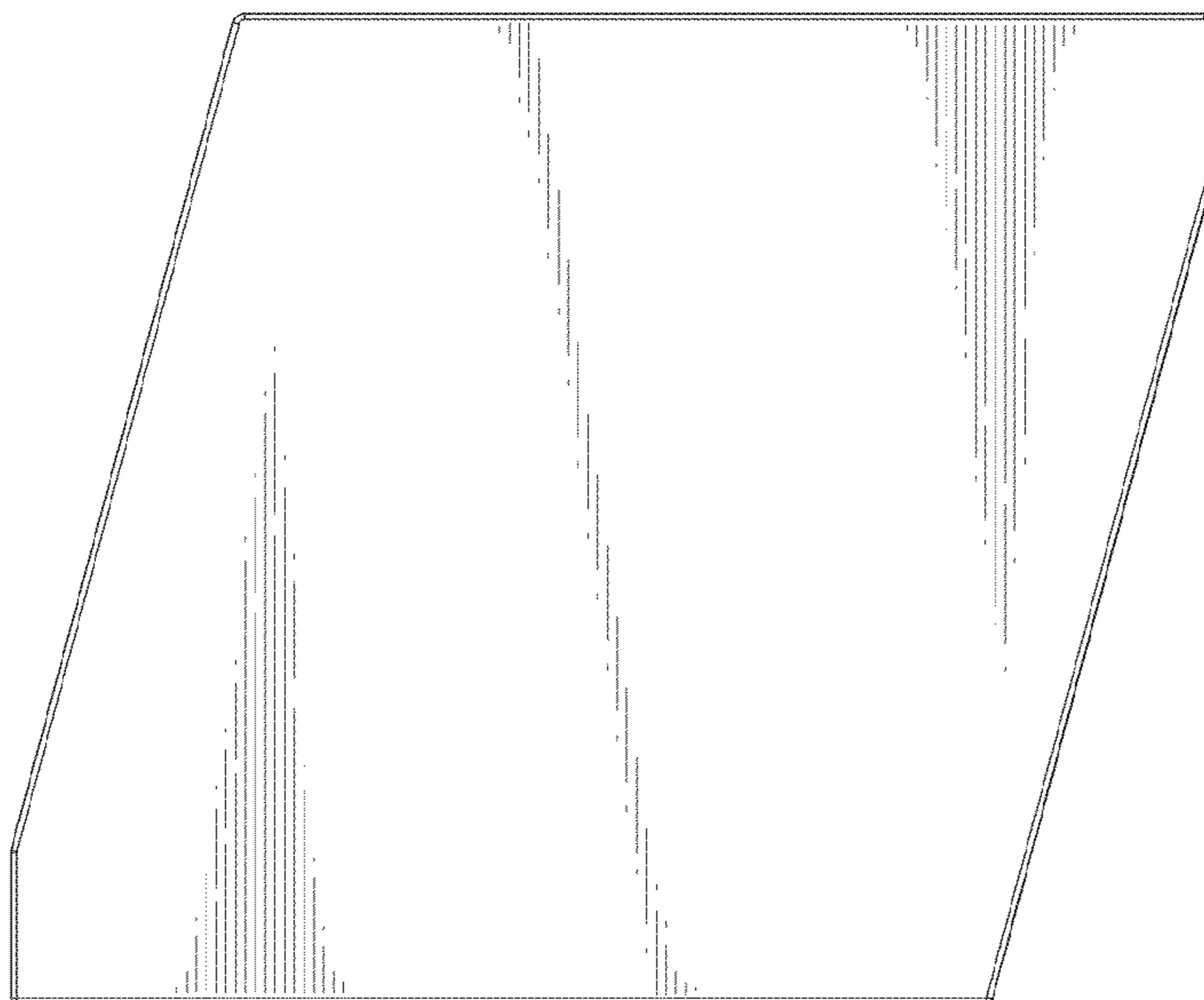


FIG.5

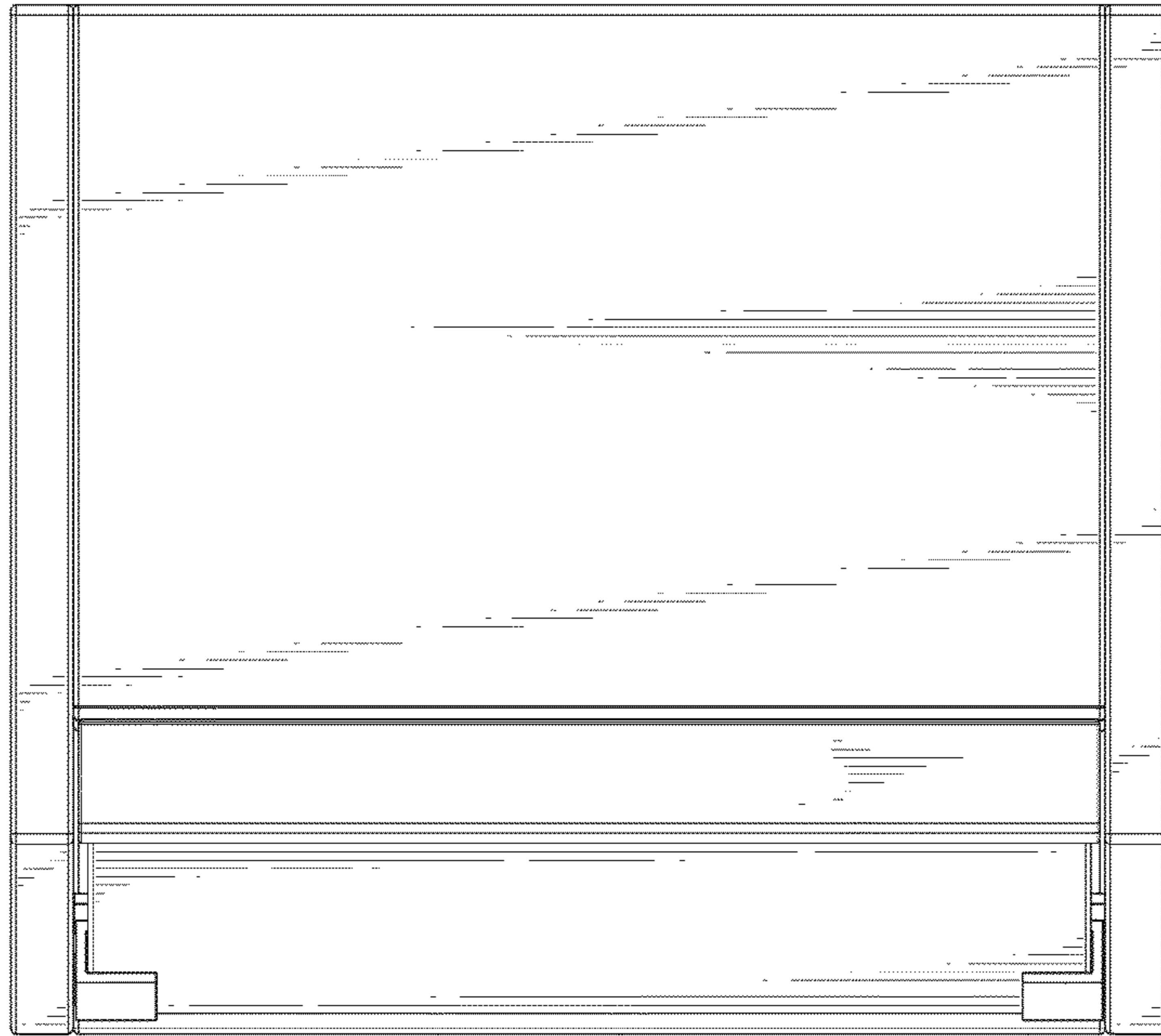


FIG. 6

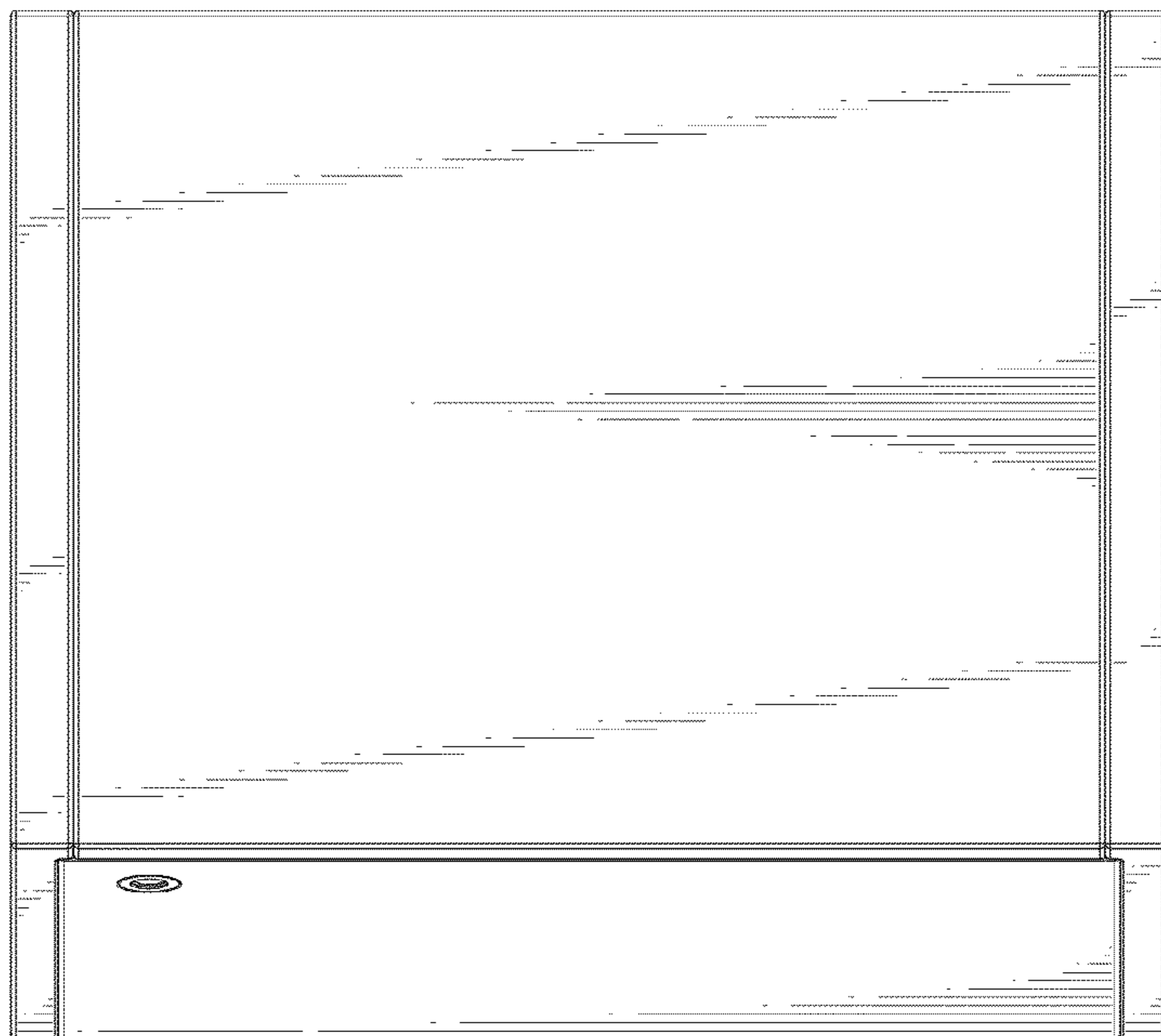


FIG. 7

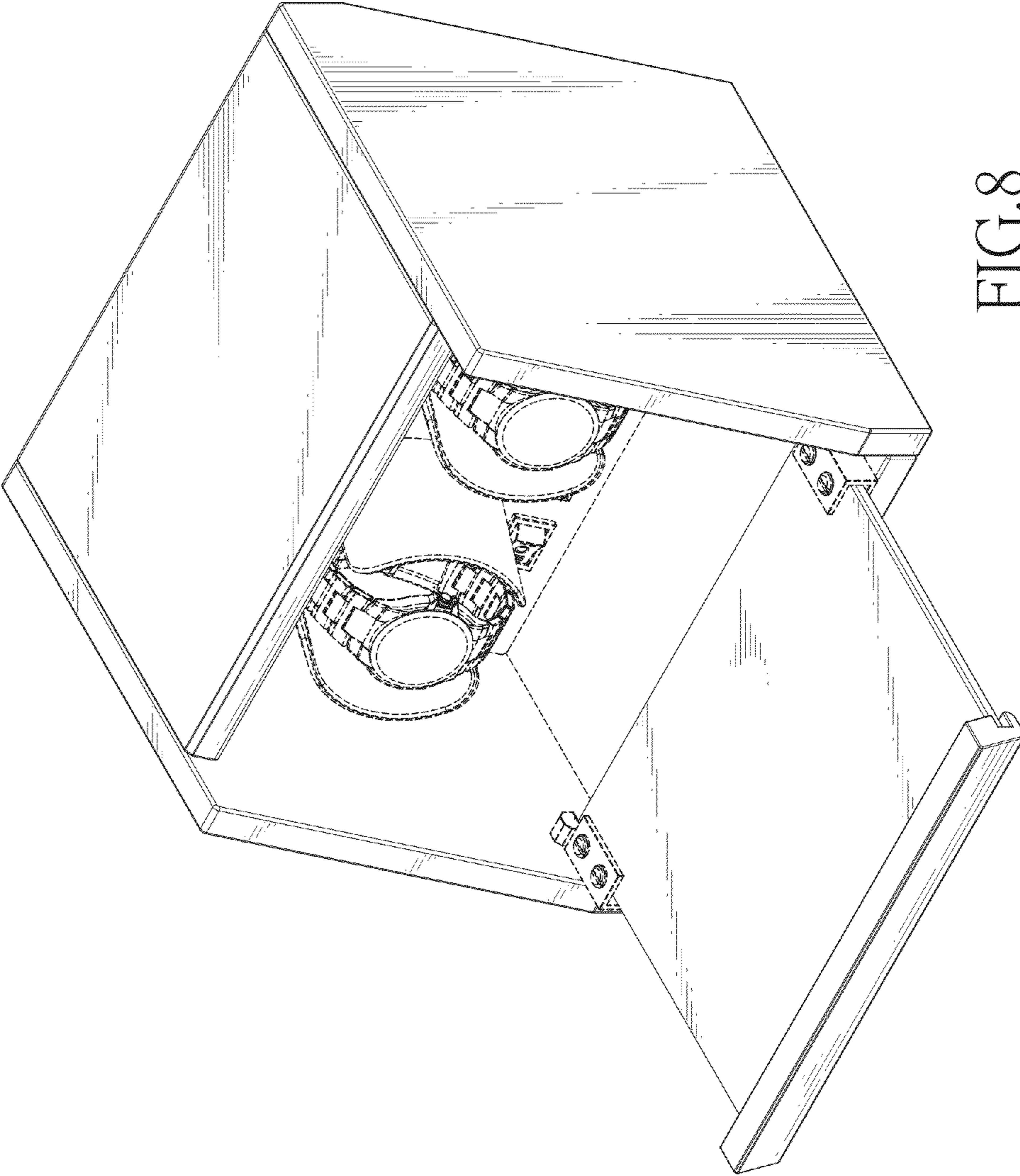


FIG.8