



US00D719990S

(12) **United States Design Patent**
Manwaring et al.

(10) **Patent No.:** **US D719,990 S**

(45) **Date of Patent:** **** Dec. 23, 2014**

- (54) **MANDREL**
- (71) Applicant: **Magna-Sonic Stress Testers, Inc.**,
Vernal, UT (US)
- (72) Inventors: **Kevin Manwaring**, Vernal, UT (US);
Kenneth John Ballash, Eagle Mountain,
UT (US)
- (73) Assignee: **Magna-Sonic Stress Testers, Inc.**,
Vernal, UT (US)
- (**) Term: **14 Years**
- (21) Appl. No.: **29/464,383**
- (22) Filed: **Aug. 15, 2013**
- (51) **LOC (10) Cl.** **15-09**
- (52) **U.S. Cl.**
USPC **D15/138**
- (58) **Field of Classification Search**
USPC D8/25, 29, 70, 71, 105; D15/21, 130,
D15/138, 139, 140, 199; 30/124; 72/324;
82/165, 169; 157/14, 21; 225/93, 93.5,
225/96.5; 279/8, 133, 137; 409/11, 231,
409/232, 233, 234
See application file for complete search history.

4,954,023	A	9/1990	Bromley	
5,062,187	A	11/1991	Bromley	
5,433,130	A	7/1995	Smith	
D571,835	S *	6/2008	Concari et al.	D15/139
7,784,551	B2	8/2010	Angman	
D640,298	S *	6/2011	Launius, Jr.	D15/138
8,117,885	B2 *	2/2012	Glenn	72/393
8,784,161	B1	7/2014	Burleson	
2010/0197212	A1 *	8/2010	Reinhardt	451/490
2011/0132486	A1 *	6/2011	Martin	138/177
2012/0186818	A1 *	7/2012	Wollmann	166/301
2013/0084131	A1 *	4/2013	Langenfeld et al.	403/343
2013/0319655	A1 *	12/2013	Schultz et al.	166/242.6
2014/0006227	A1 *	1/2014	Griggs et al.	705/28
2014/0150719	A1 *	6/2014	Vatne	118/321
2014/0209394	A1 *	7/2014	Mahmood et al.	175/320

* cited by examiner

Primary Examiner — Patricia Palasik

(74) *Attorney, Agent, or Firm* — Workman Nydegger

(57) **CLAIM**

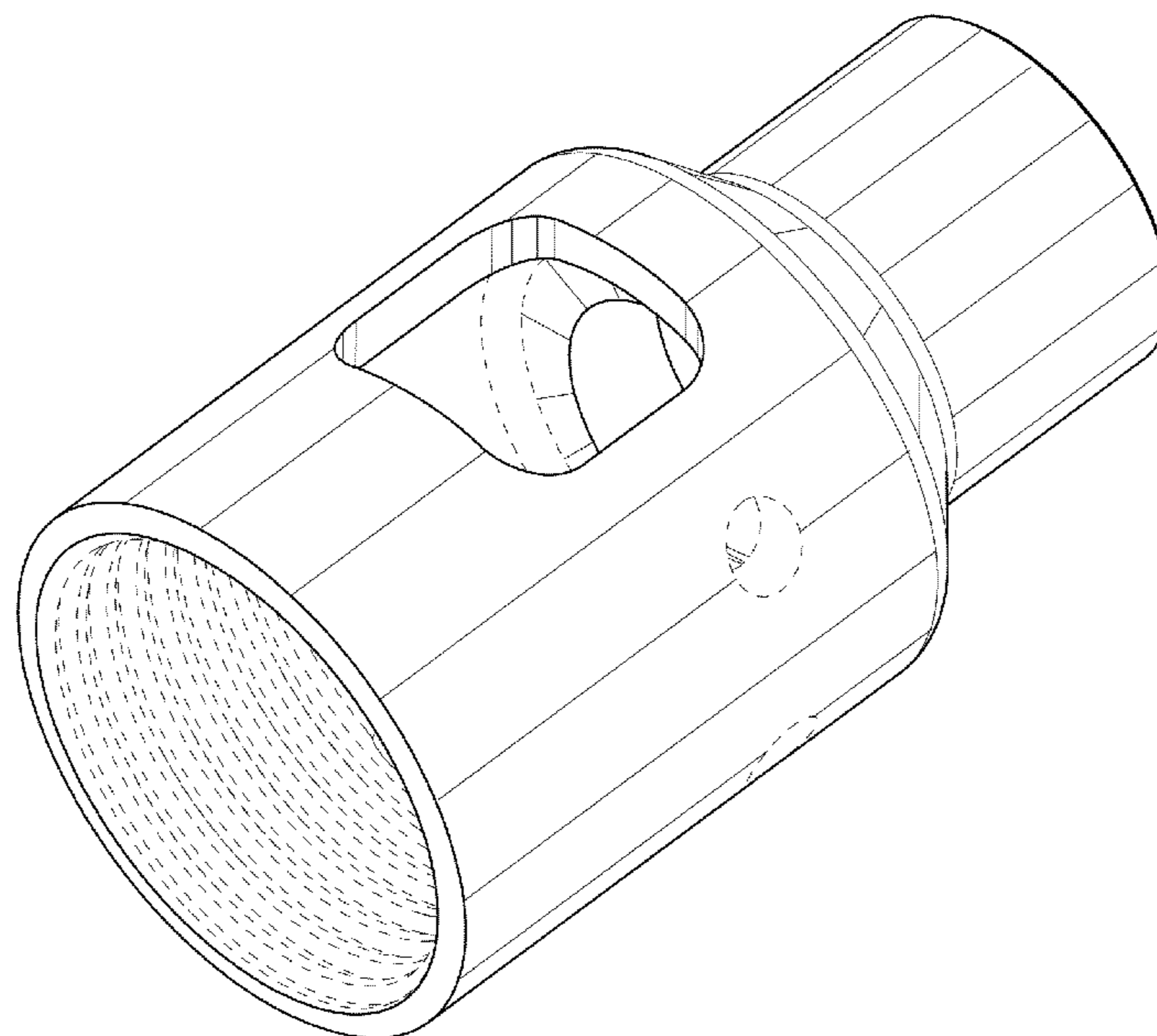
The ornamental design for a mandrel, as shown and described.

DESCRIPTION

FIG. 1 is a perspective view of a mandrel according to the present invention;
 FIG. 2 is a right elevational view thereof, the left side being a mirror image;
 FIG. 3 is a top plan view thereof, the bottom being a mirror image;
 FIG. 4 is a front elevational view thereof; and,
 FIG. 5 is a back elevational view thereof.
 The broken lines showing environment in the drawings are included for illustrative purposes only and form no part of the claimed design.

1 Claim, 3 Drawing Sheets

- (56) **References Cited**
U.S. PATENT DOCUMENTS
- 2,159,287 A 5/1939 Morgan
- 2,211,183 A 8/1940 Tytus
- 3,608,406 A 9/1971 Paysinger
- 3,691,882 A 9/1972 Massey
- 3,717,055 A 2/1973 Pendleton
- 4,665,780 A 5/1987 Plaquin
- 4,761,104 A 8/1988 Hillestad
- 4,854,200 A 8/1989 Mynhier



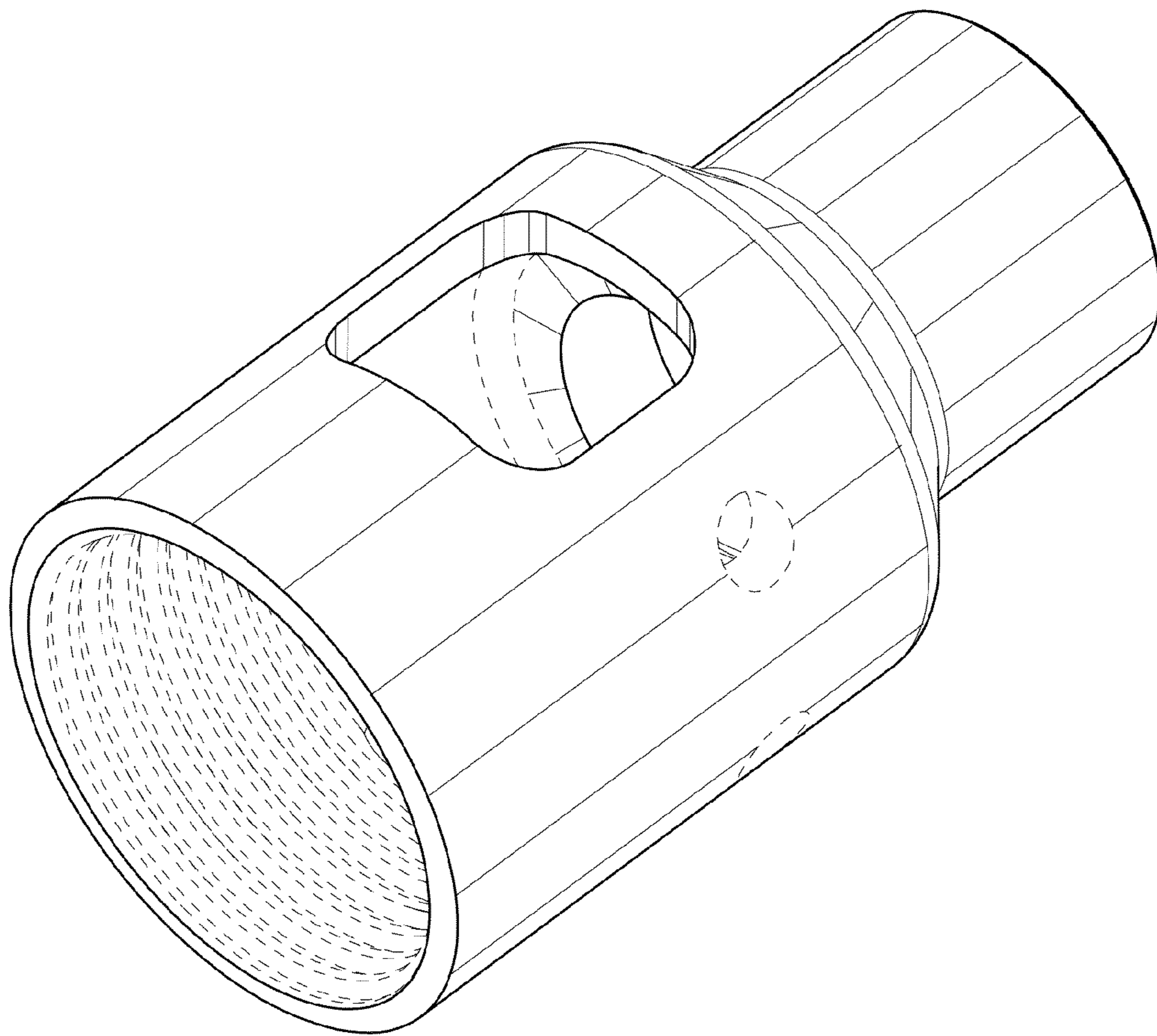


FIG. 1

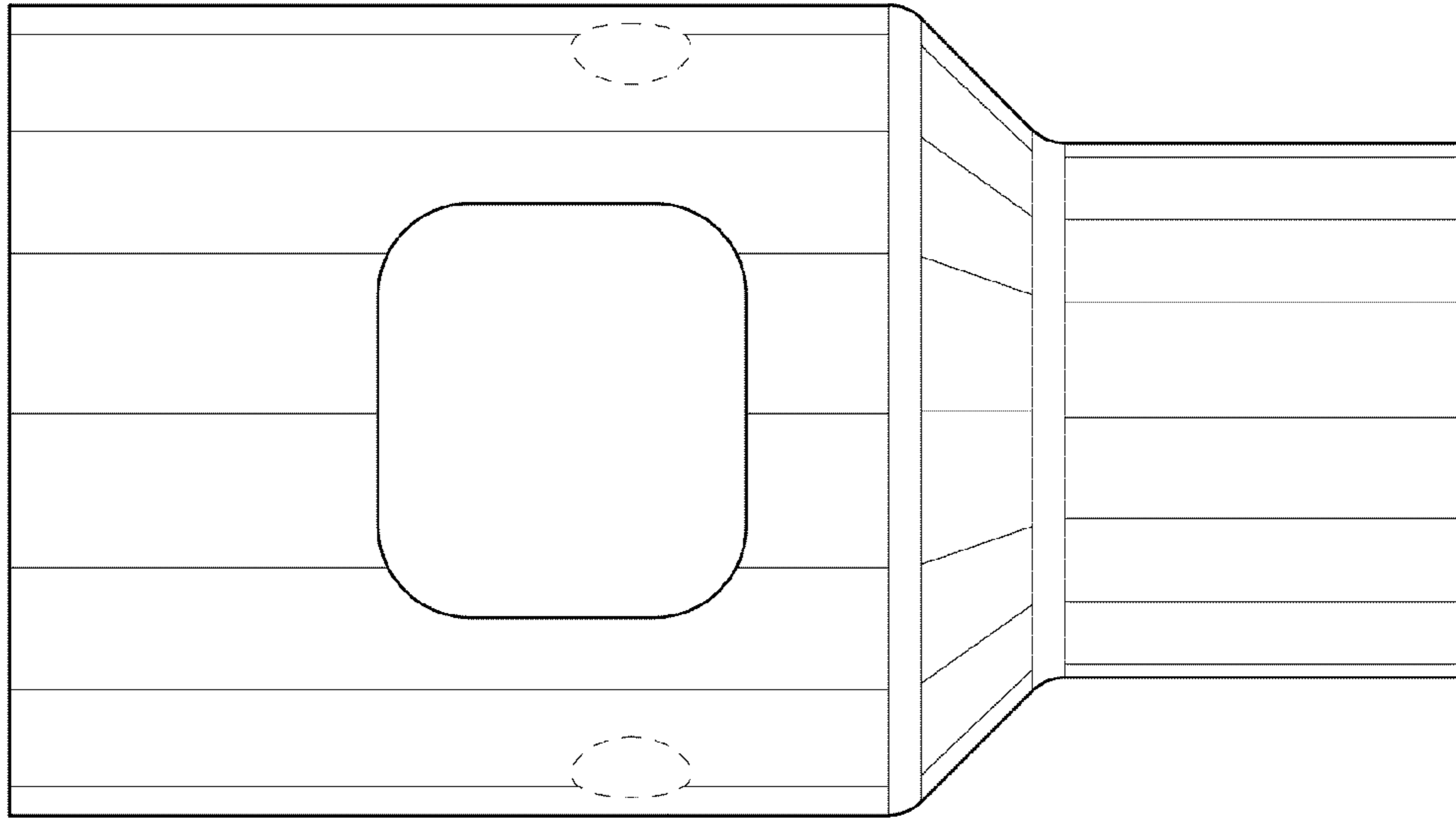


FIG. 2

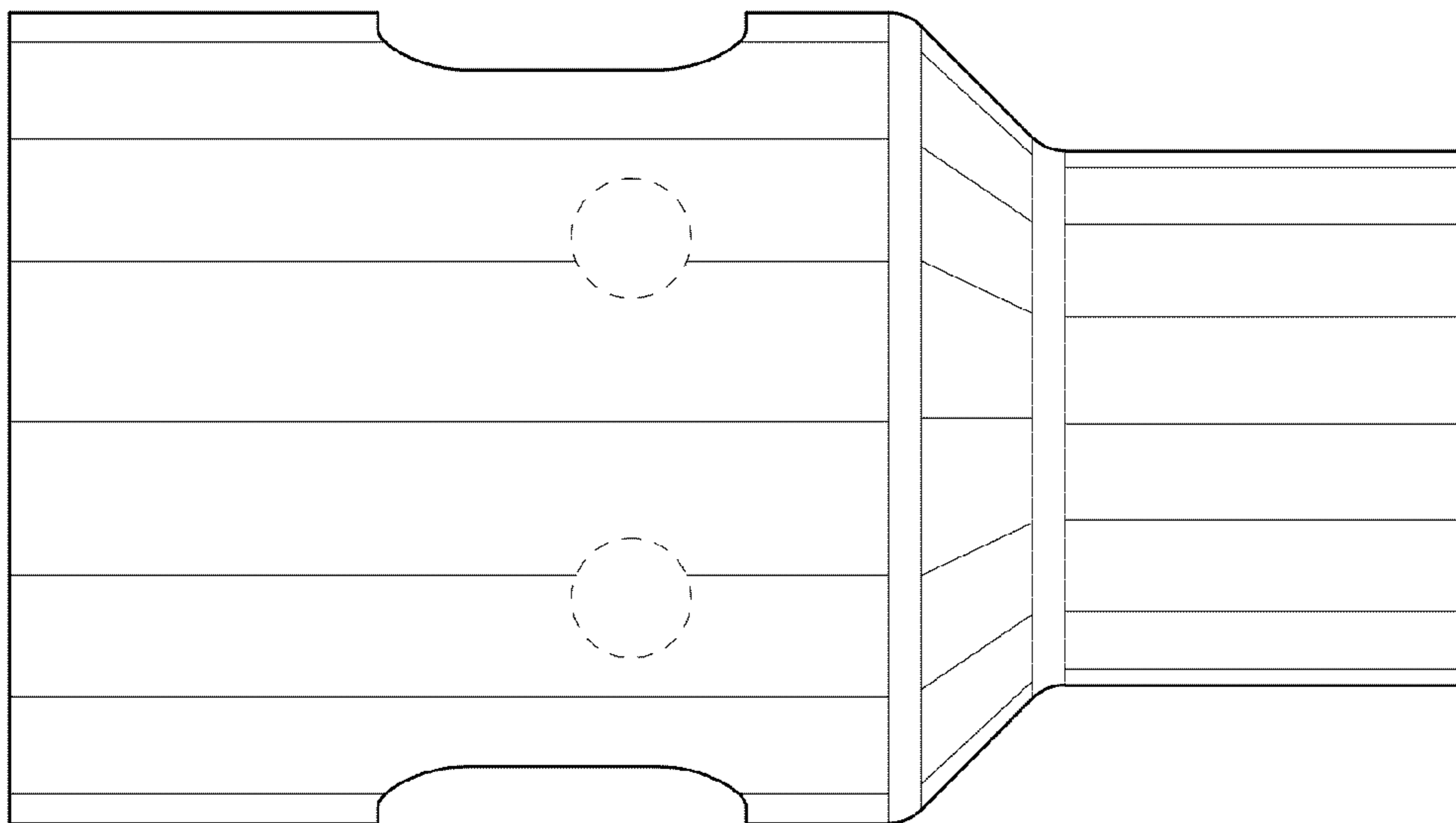


FIG. 3

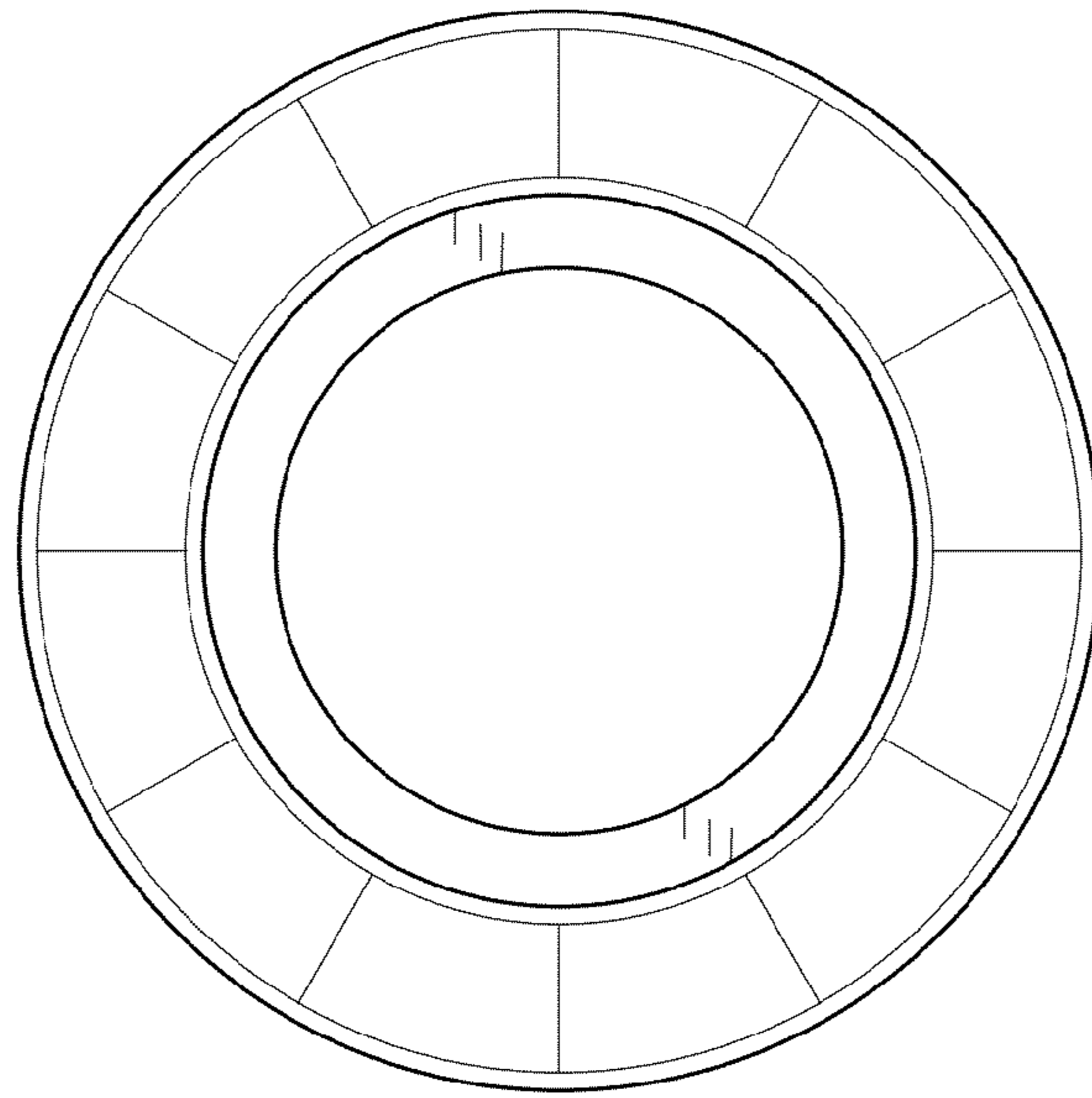


FIG. 4

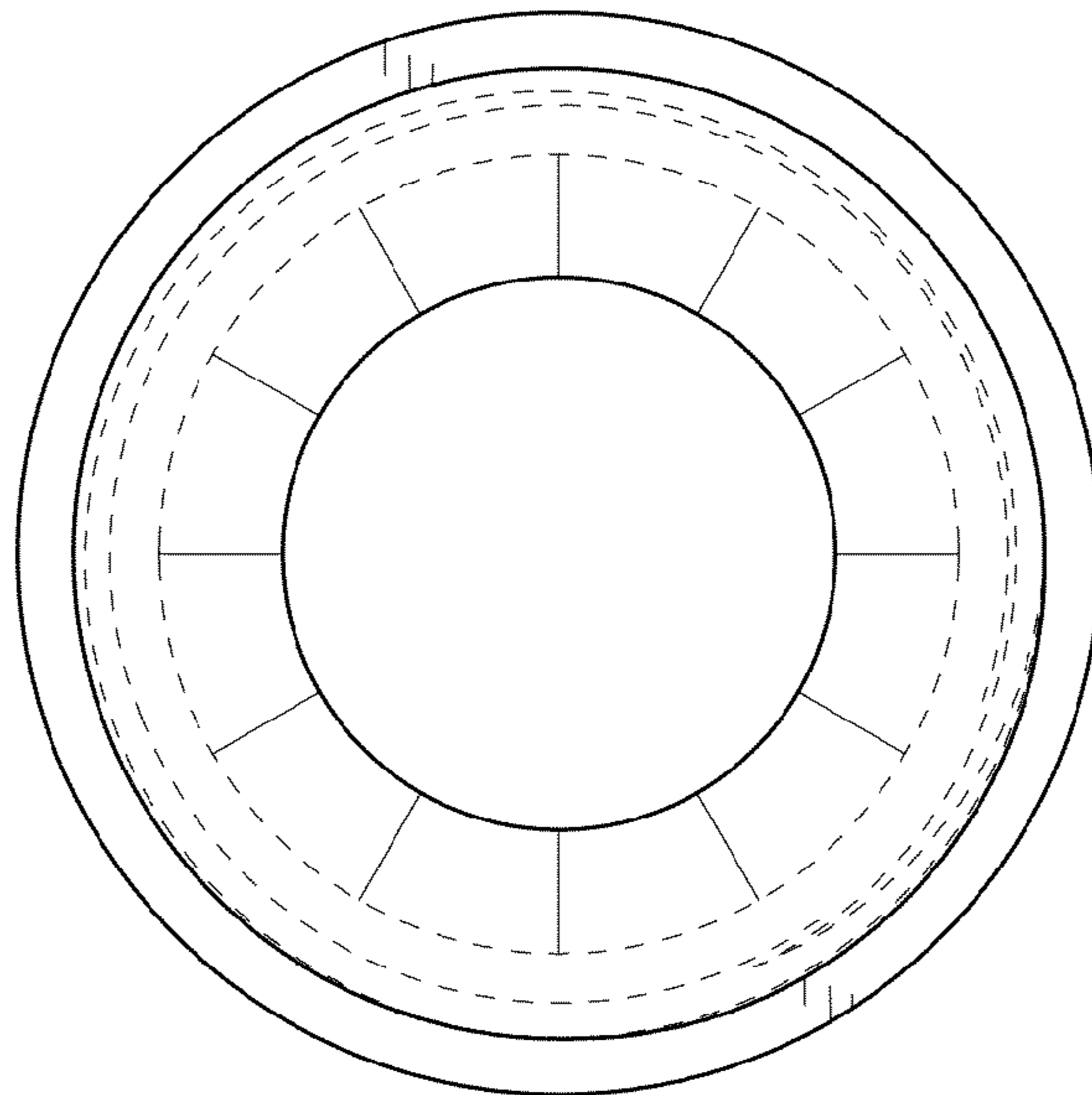


FIG. 5