



US00D719985S

(12) **United States Design Patent**
Tseng

(10) **Patent No.:** **US D719,985 S**

(45) **Date of Patent:** **** Dec. 23, 2014**

(54) **SEWING MACHINE**

(71) Applicant: **Hsien-Chang Tseng**, Taichung (TW)

(72) Inventor: **Hsien-Chang Tseng**, Taichung (TW)

(**) Term: **14 Years**

(21) Appl. No.: **29/476,120**

(22) Filed: **Dec. 11, 2013**

(30) **Foreign Application Priority Data**

Sep. 25, 2013 (TW) 102306325

(51) **LOC (10) CL.** **15-06**

(52) **U.S. Cl.**
USPC **D15/69**

(58) **Field of Classification Search**
USPC D15/66-78; 112/258-261,
112/217.1-217.4, 63, 444, 475.01, 78, 154
See application file for complete search history.

(56) **References Cited**

U.S. PATENT DOCUMENTS

- D307,024 S * 4/1990 Itoh et al. D15/69
- D338,021 S * 8/1993 Uchida D15/69
- D450,721 S * 11/2001 Kawaguchi D15/69

- D553,650 S * 10/2007 Muto D15/69
- D555,176 S * 11/2007 Ogawa D15/69
- D632,706 S * 2/2011 Hattori D15/69
- D648,757 S * 11/2011 Muto D15/69
- D700,634 S * 3/2014 Saitou et al. D15/69

* cited by examiner

Primary Examiner — Mitchell Siegel

(74) *Attorney, Agent, or Firm* — Banger Shia

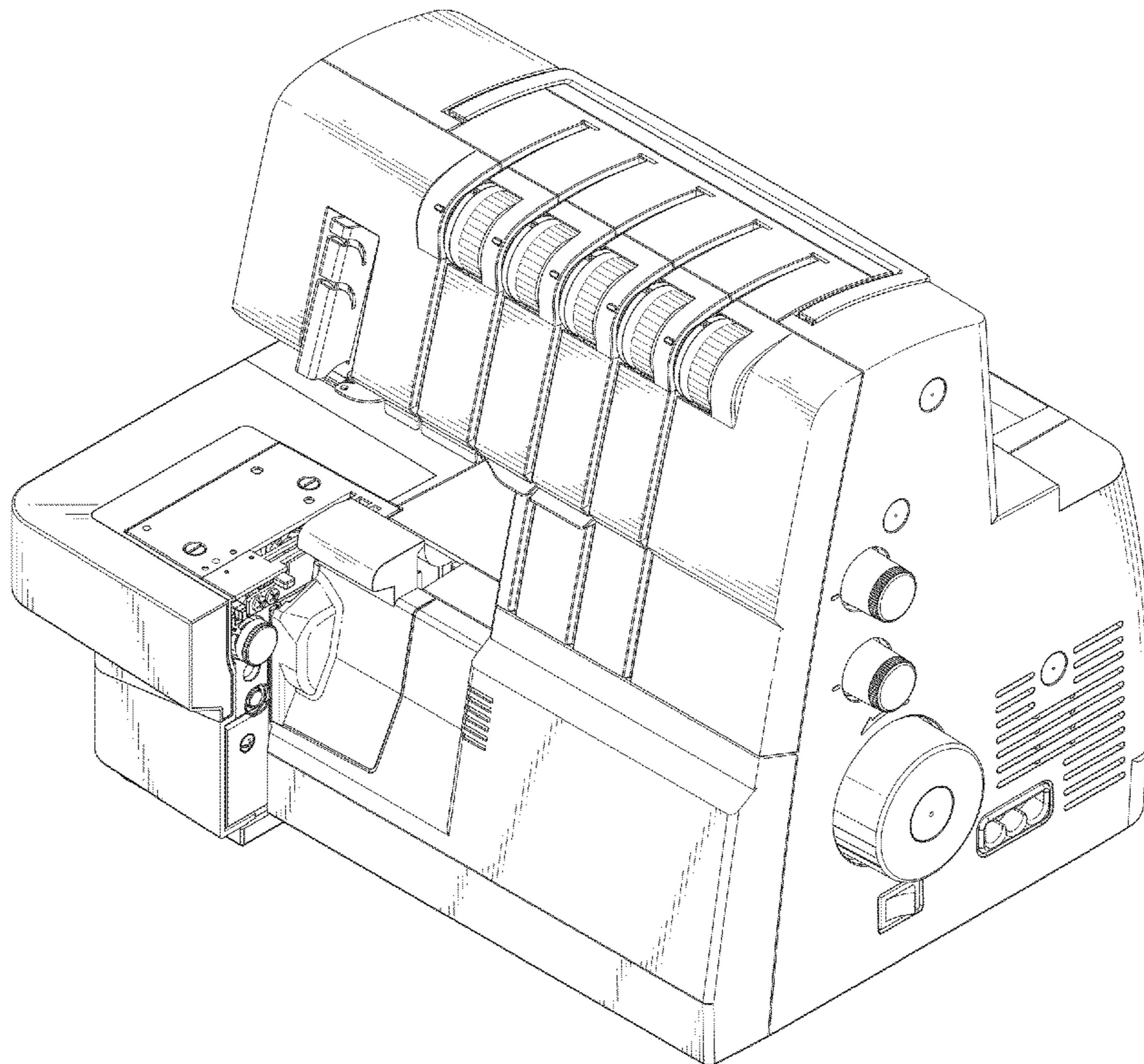
(57) **CLAIM**

The ornamental design for a sewing machine, as shown and described.

DESCRIPTION

FIG. 1 is a right front perspective view of a sewing machine showing my new design;
 FIG. 2 is a front elevational view thereof;
 FIG. 3 is a rear elevational view thereof;
 FIG. 4 is a left side elevational view thereof;
 FIG. 5 is a right side elevational view thereof;
 FIG. 6 is a top plan view thereof;
 FIG. 7 is a bottom plan view thereof; and,
 FIG. 8 is a left front perspective view thereof.
 The broken lines are shown for illustrative purposes only and form no part of claimed design.

1 Claim, 8 Drawing Sheets



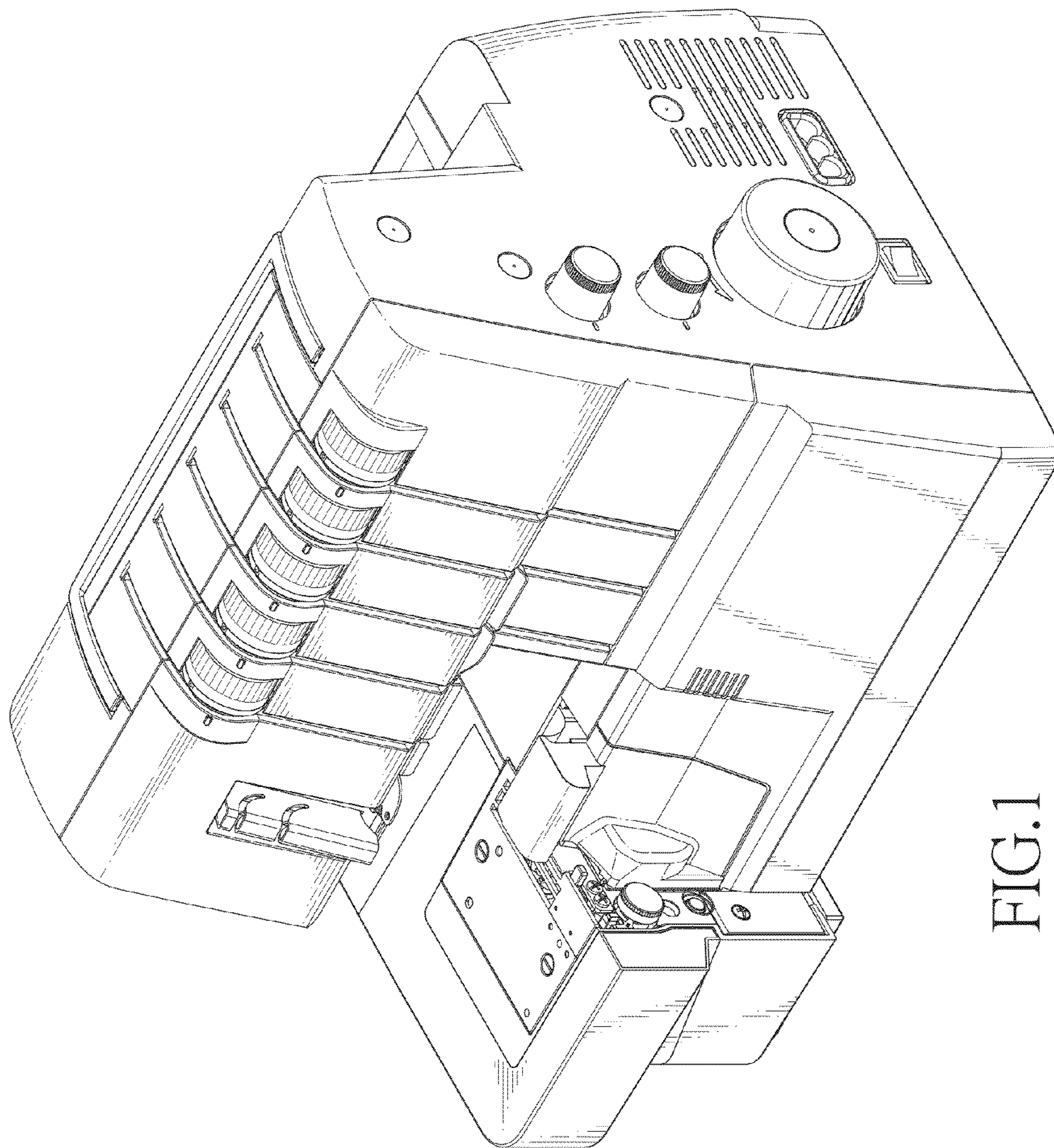


FIG.1

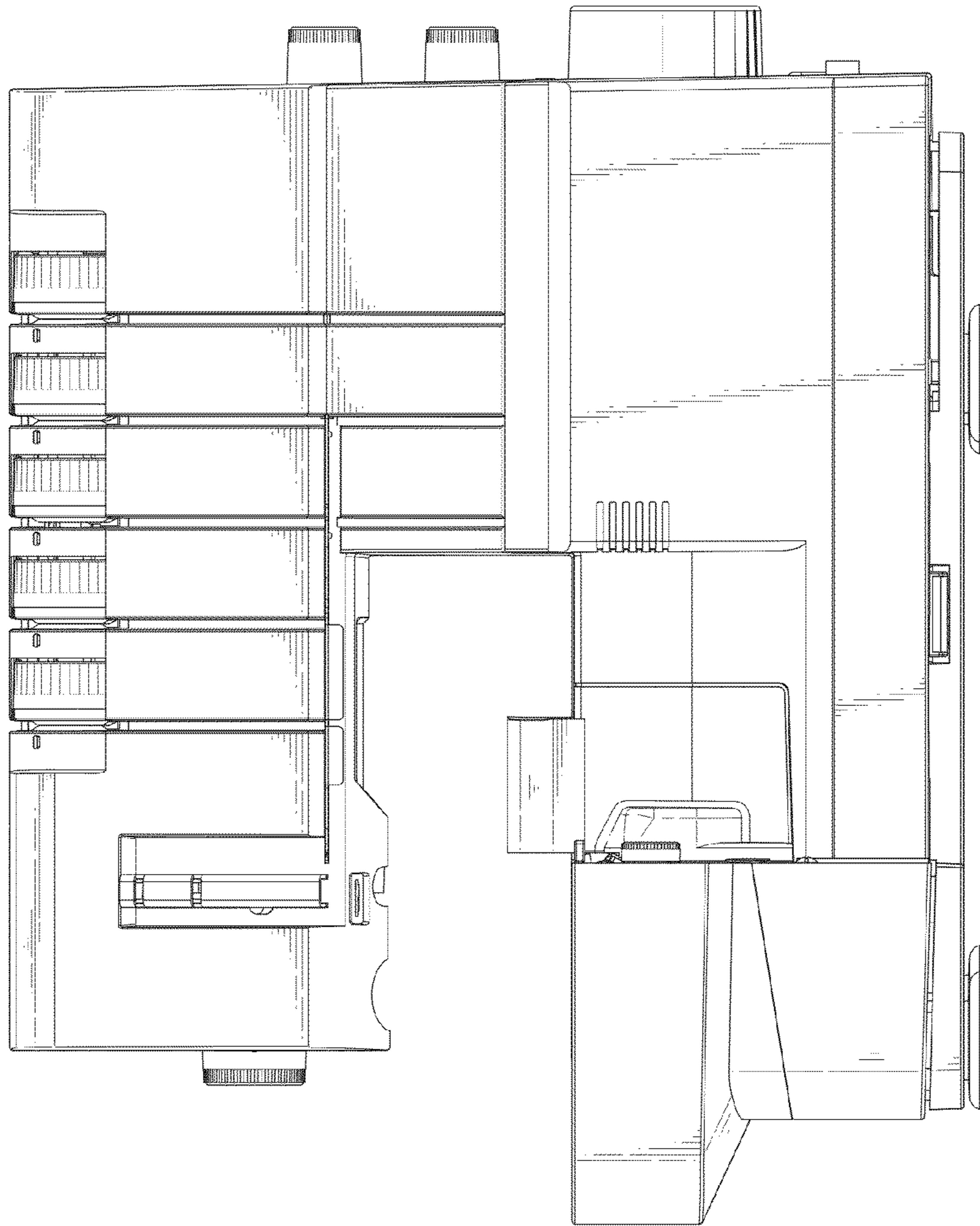


FIG.2

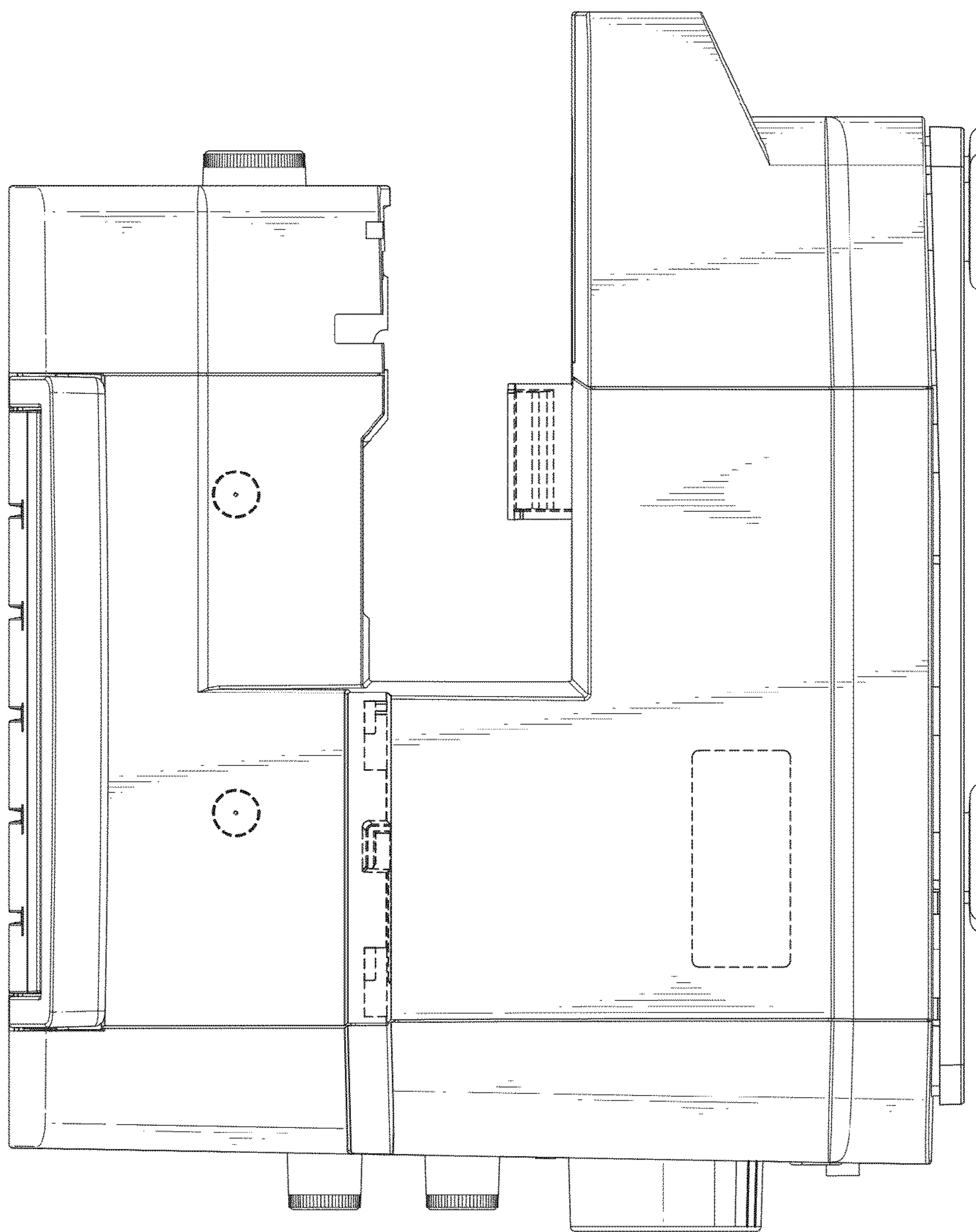


FIG.3

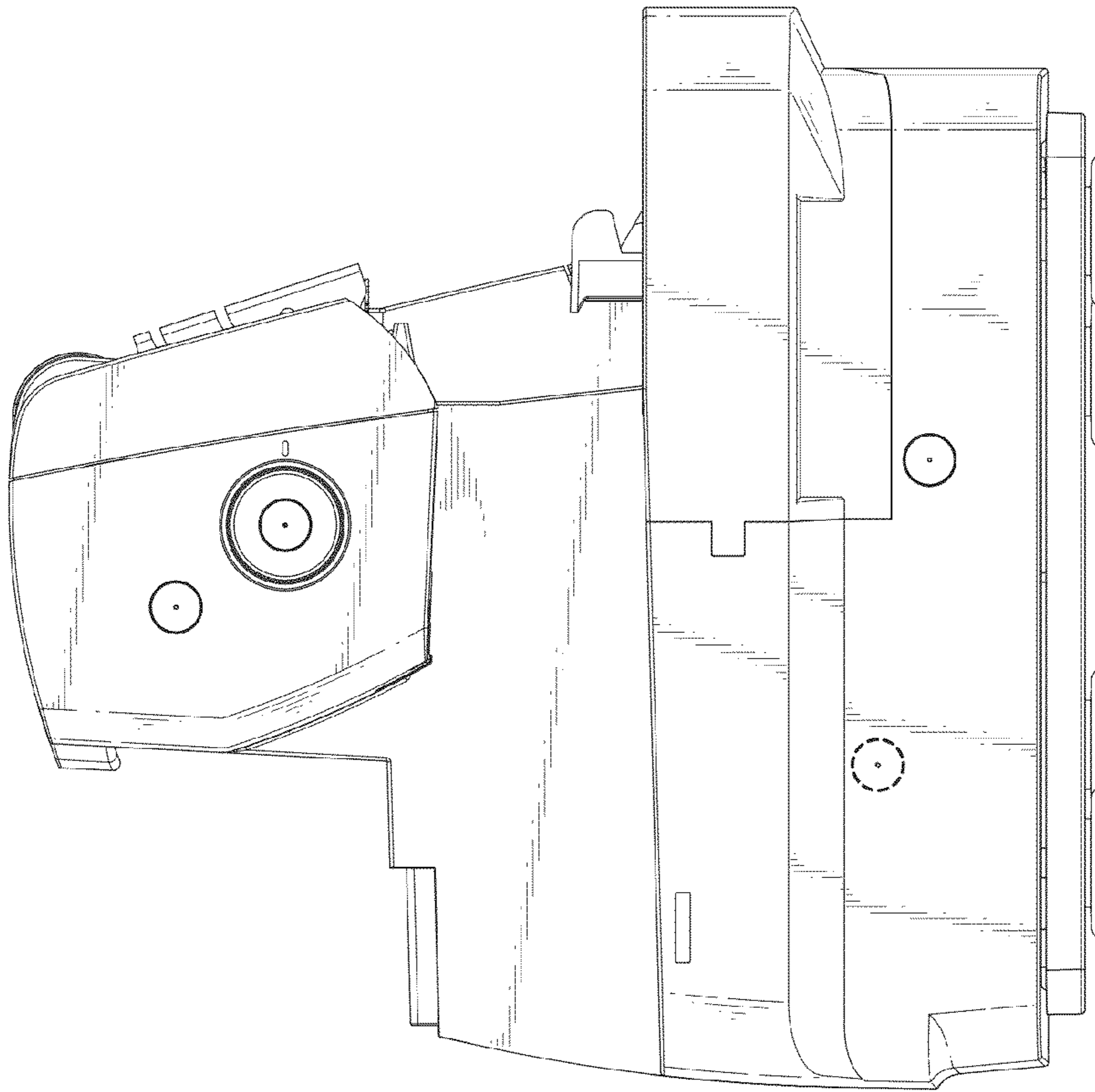


FIG. 4

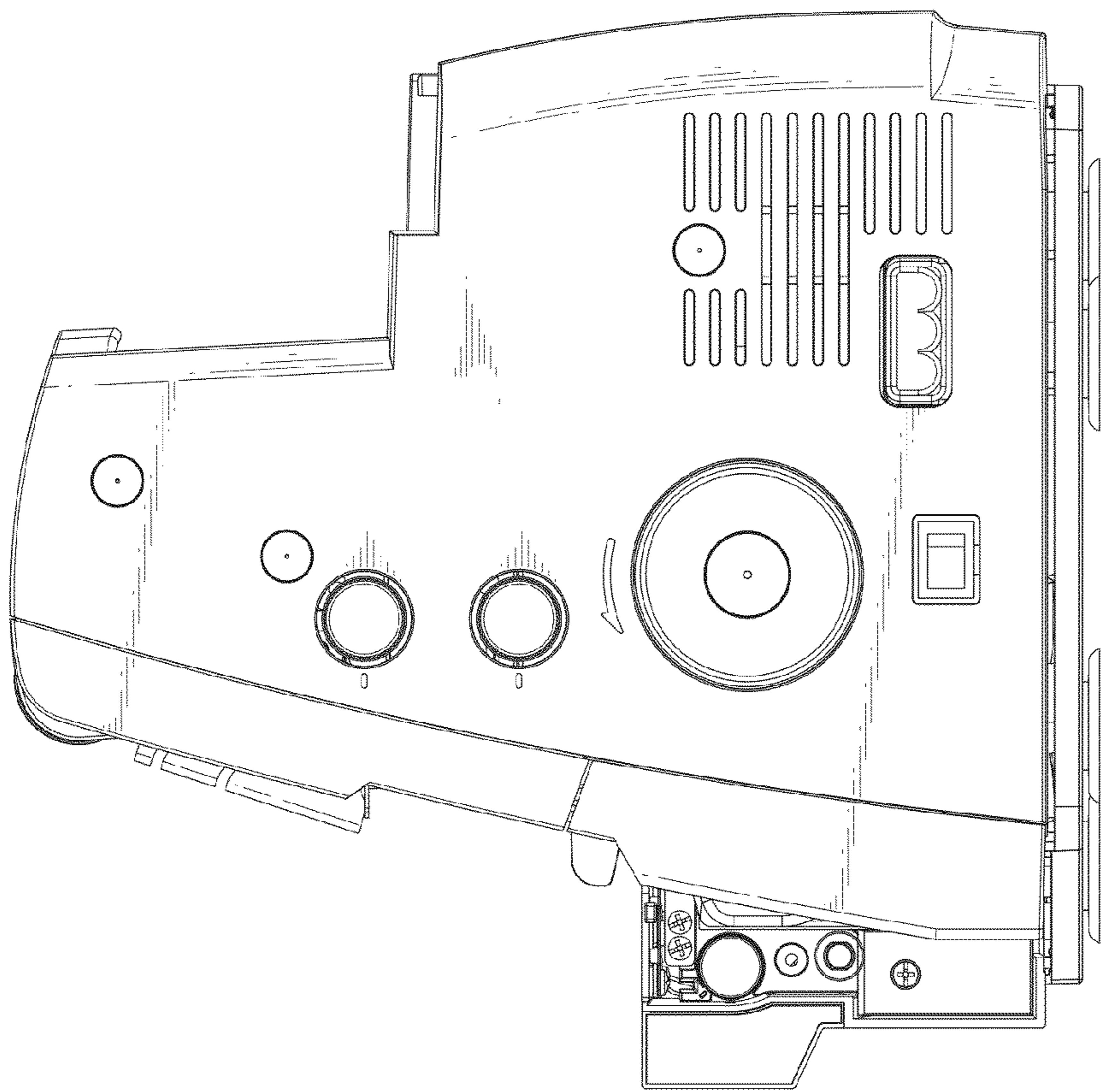


FIG. 5

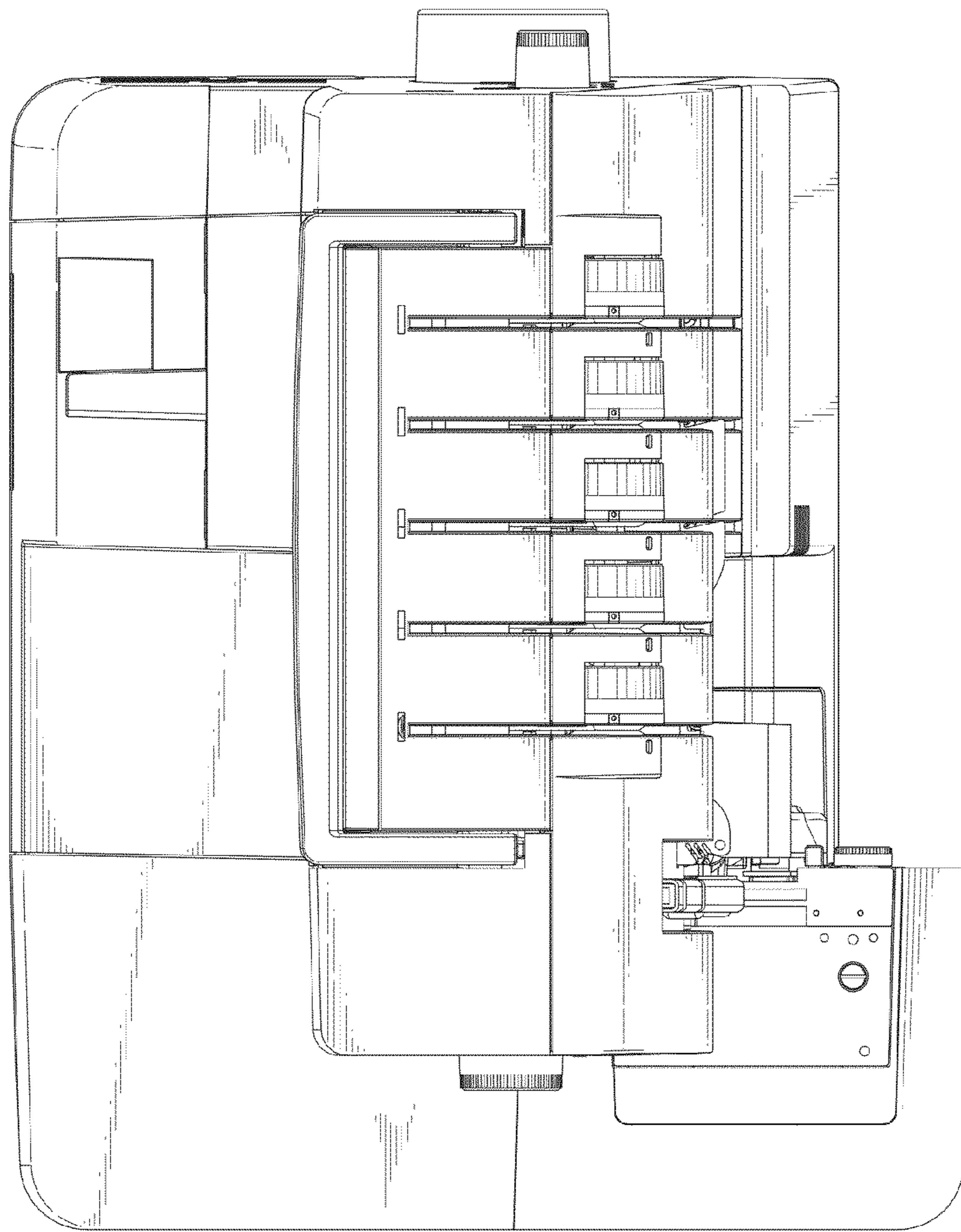


FIG.6

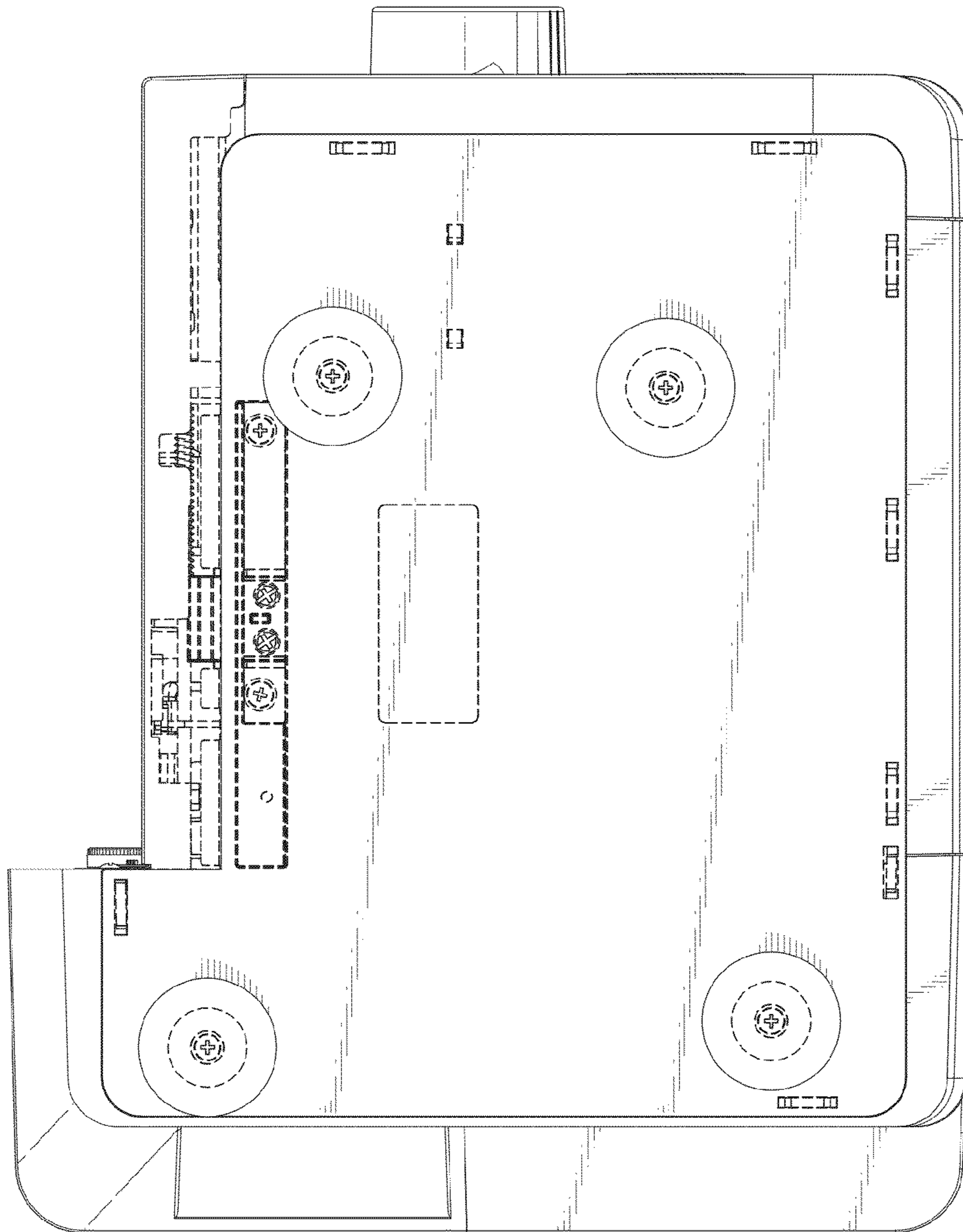


FIG.7

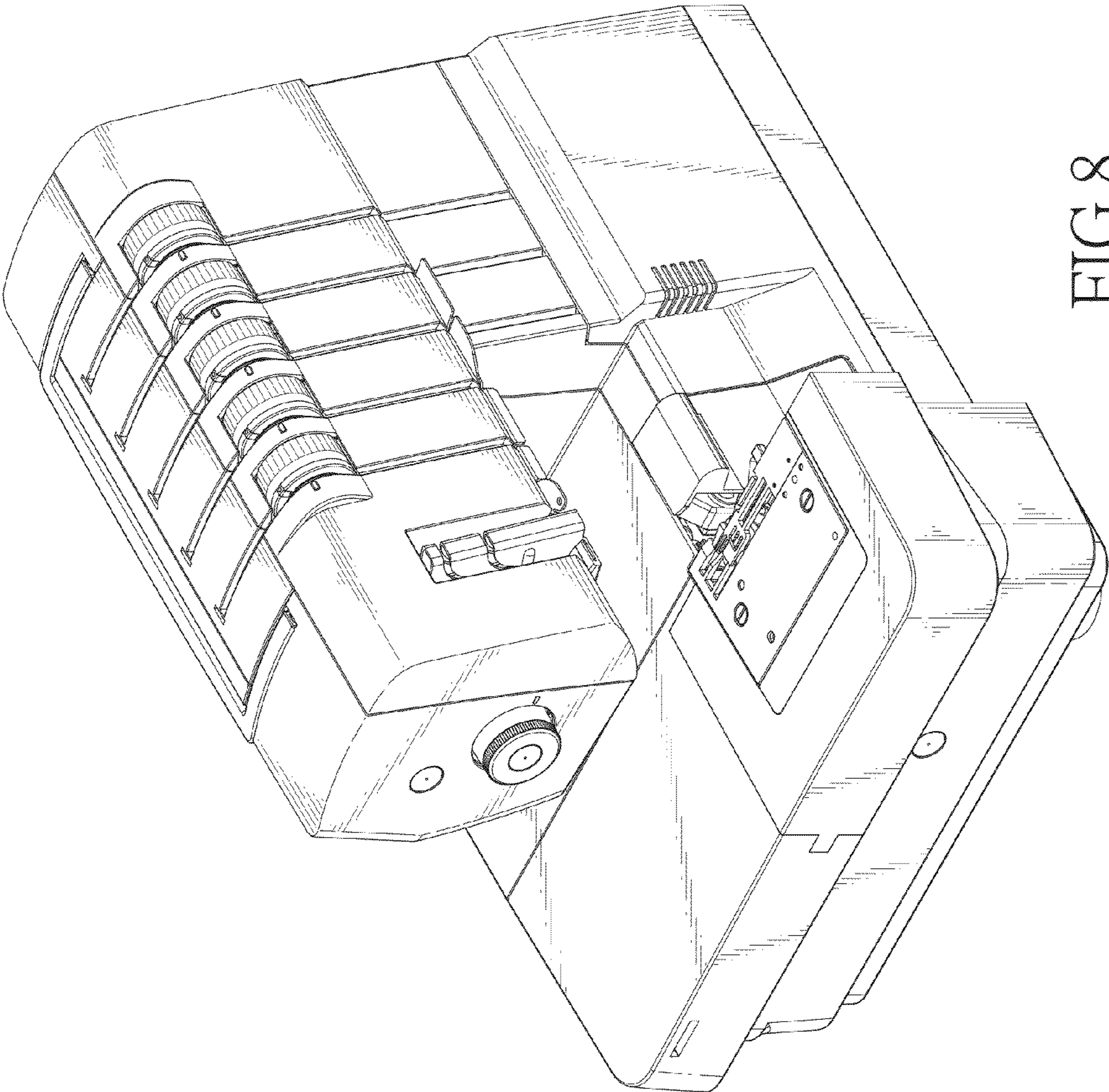


FIG. 8