



US00D719983S

(12) **United States Design Patent**
Ewringmann

(10) **Patent No.:** **US D719,983 S**

(45) **Date of Patent:** **** Dec. 23, 2014**

(54) **LATERAL SLIDER FOR A SCREED FOR A PAVING MACHINE**

(71) Applicant: **Joseph Vogele AG**, Ludwigshafen/Rhein (DE)

(72) Inventor: **Ulrich Ewringmann**, Taufkirchen-Potzham (DE)

(73) Assignee: **Joseph Vogele AG**, Ludwigshafen/Rhein (DE)

(**) Term: **14 Years**

(21) Appl. No.: **29/433,435**

(22) Filed: **Sep. 28, 2012**

(30) **Foreign Application Priority Data**

Mar. 29, 2012 (EP) 001322689

(51) **LOC (10) Cl.** **15-03**

(52) **U.S. Cl.**
USPC **D15/28; D15/19**

(58) **Field of Classification Search**
USPC D15/10, 13, 19, 22-26, 28, 33;
404/110, 101, 108, 75, 102, 118,
404/84.05, 105
See application file for complete search history.

(56) **References Cited**

U.S. PATENT DOCUMENTS

3,557,672 A * 1/1971 Shurtz et al. 404/95
3,907,451 A * 9/1975 Fisher et al. 404/101
4,272,213 A * 6/1981 McGovarin 404/118

5,201,603 A * 4/1993 Bassett et al. 404/84.1
5,203,642 A * 4/1993 Heller et al. 404/118
6,099,205 A * 8/2000 Macku et al. 404/92
6,203,243 B1 * 3/2001 Birtchet 404/104
6,273,636 B1 * 8/2001 Johanpeter 404/104
6,375,386 B1 * 4/2002 Macku et al. 404/17
7,121,763 B1 * 10/2006 Young et al. 404/118
7,413,377 B2 * 8/2008 Pontano, III 404/118
7,651,295 B2 * 1/2010 Eppes et al. 404/84.05
8,221,026 B2 * 7/2012 Munz et al. 404/96
D672,790 S * 12/2012 Kopacz et al. D15/19
D673,981 S * 1/2013 Kopacz et al. D15/19
8,591,145 B1 * 11/2013 Engel et al. 404/104
2007/0258769 A1 * 11/2007 Eppes 404/118

* cited by examiner

Primary Examiner — Mark Goodwin

(74) *Attorney, Agent, or Firm* — Fish & Richardson P.C.

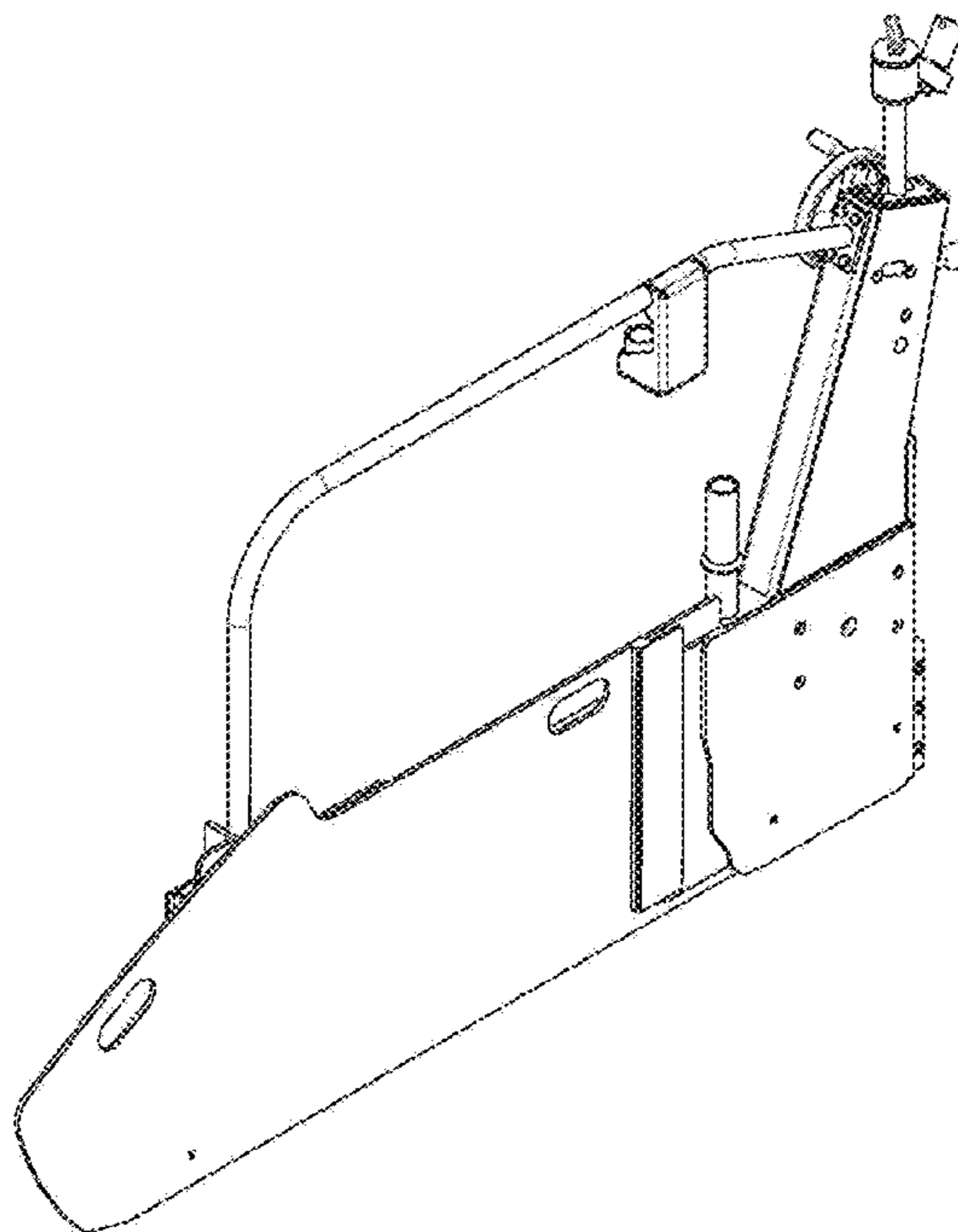
(57) **CLAIM**

The ornamental design for a lateral slider for a screed for a paving machine, substantially as shown and described.

DESCRIPTION

FIG. 1 is a back perspective view of a lateral slider for a screed for a paving machine showing our new design;
FIG. 2 is a front perspective view thereof;
FIG. 3 is a front view thereof;
FIG. 4 is a back view thereof;
FIG. 5 is a left side view thereof;
FIG. 6 is a right side view thereof;
FIG. 7 is a top plan view thereof; and,
FIG. 8 is a bottom plan view thereof.

1 Claim, 8 Drawing Sheets



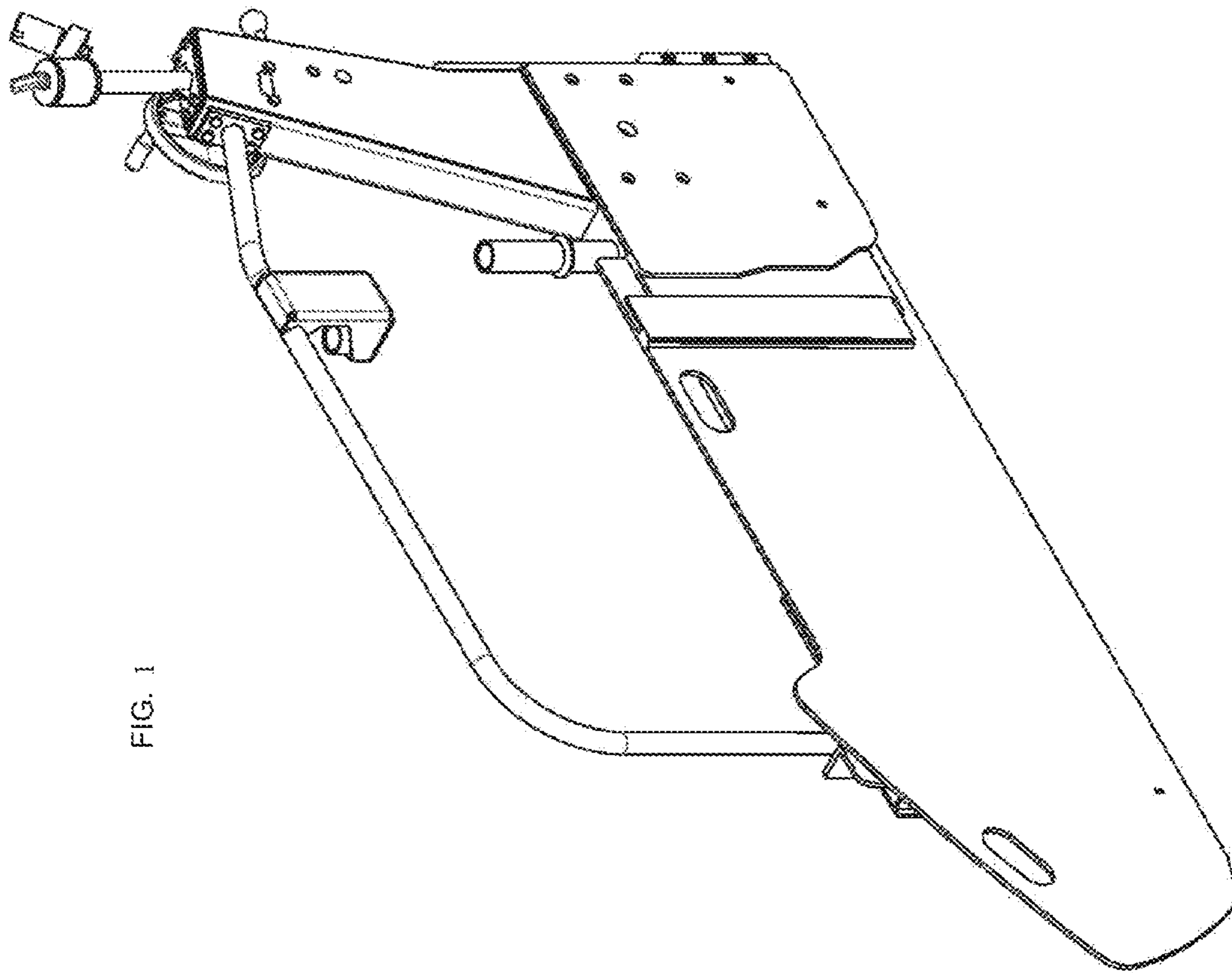


FIG. 1

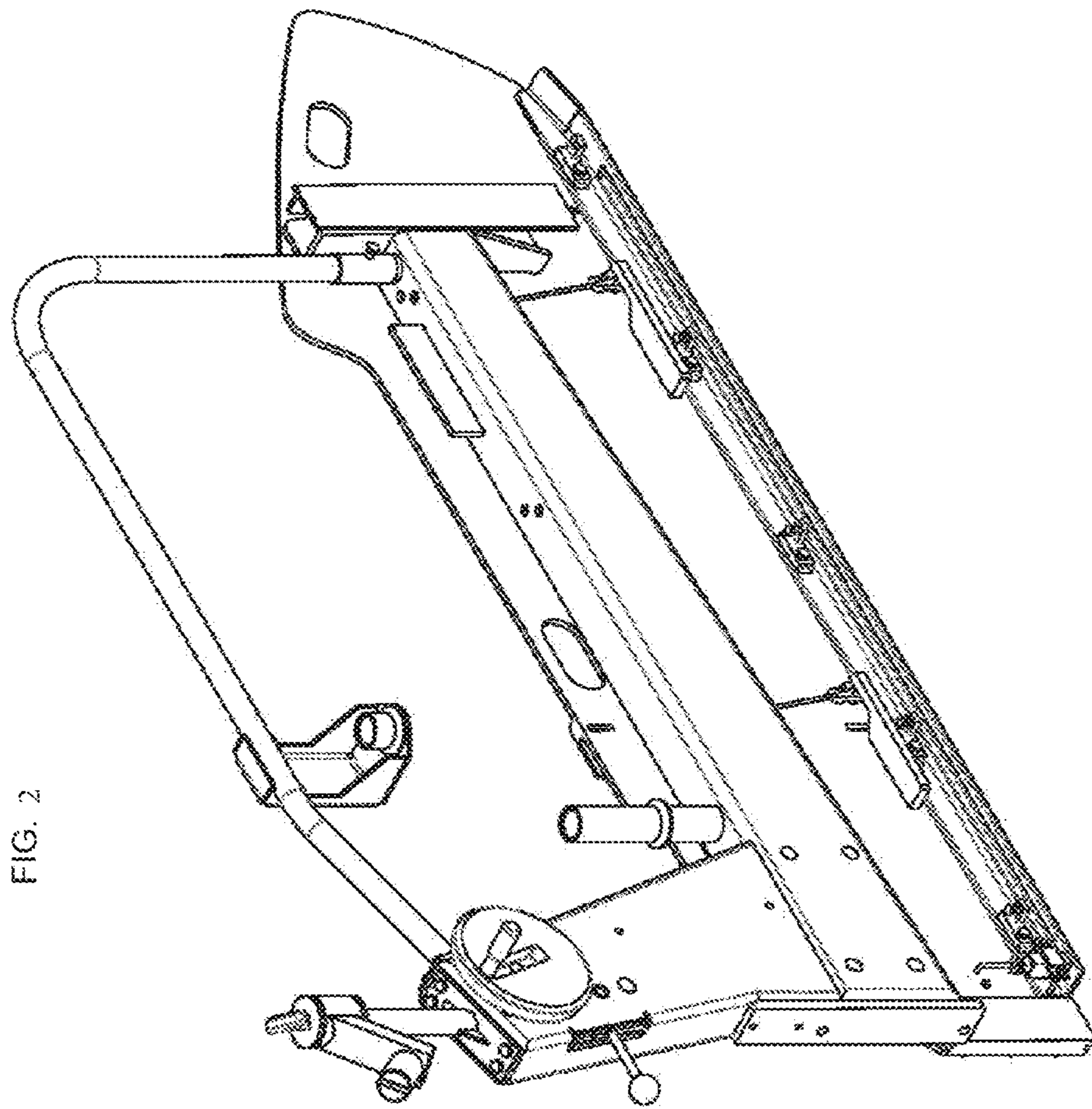


FIG. 2

FIG. 3

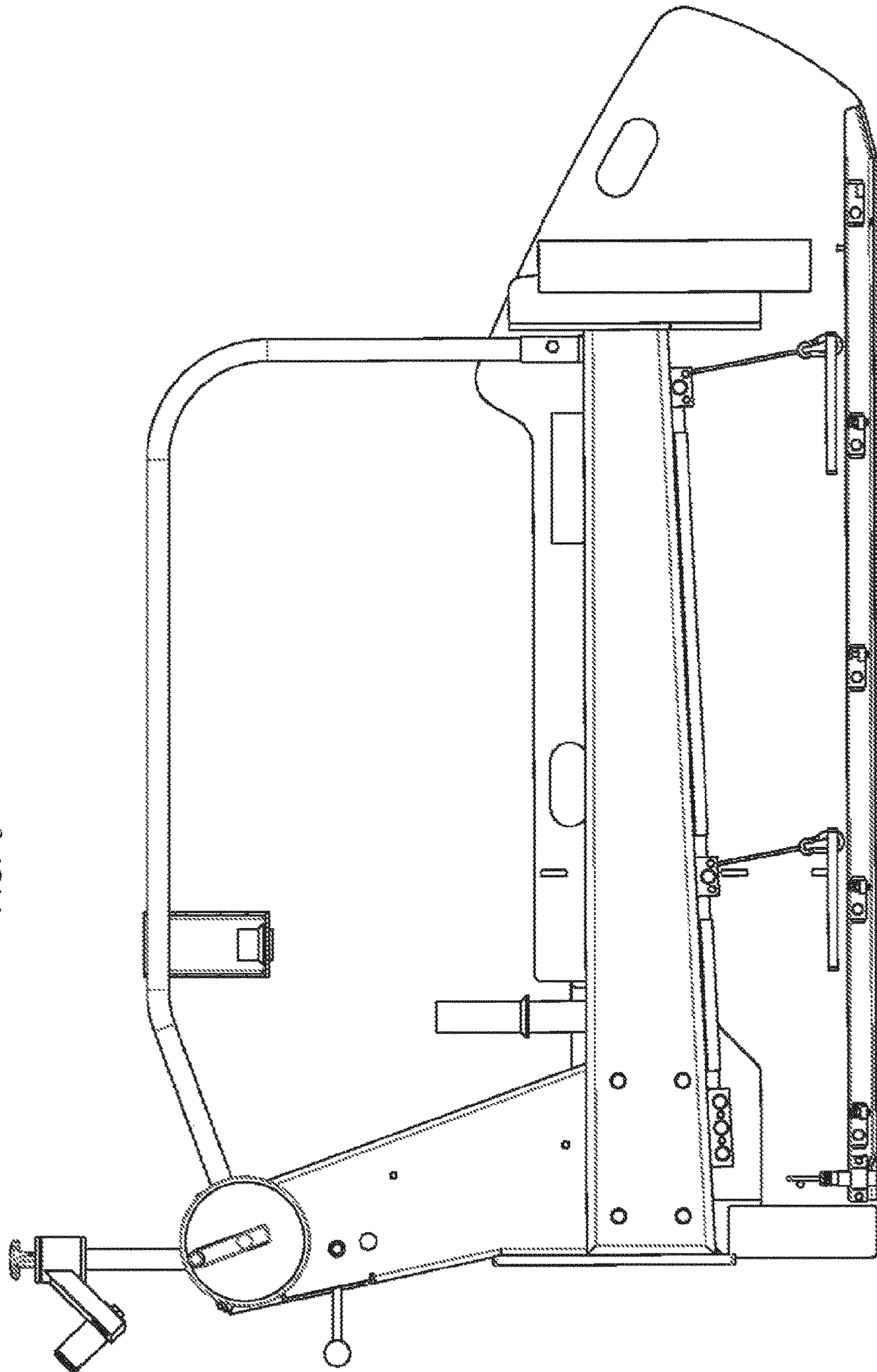


FIG. 4

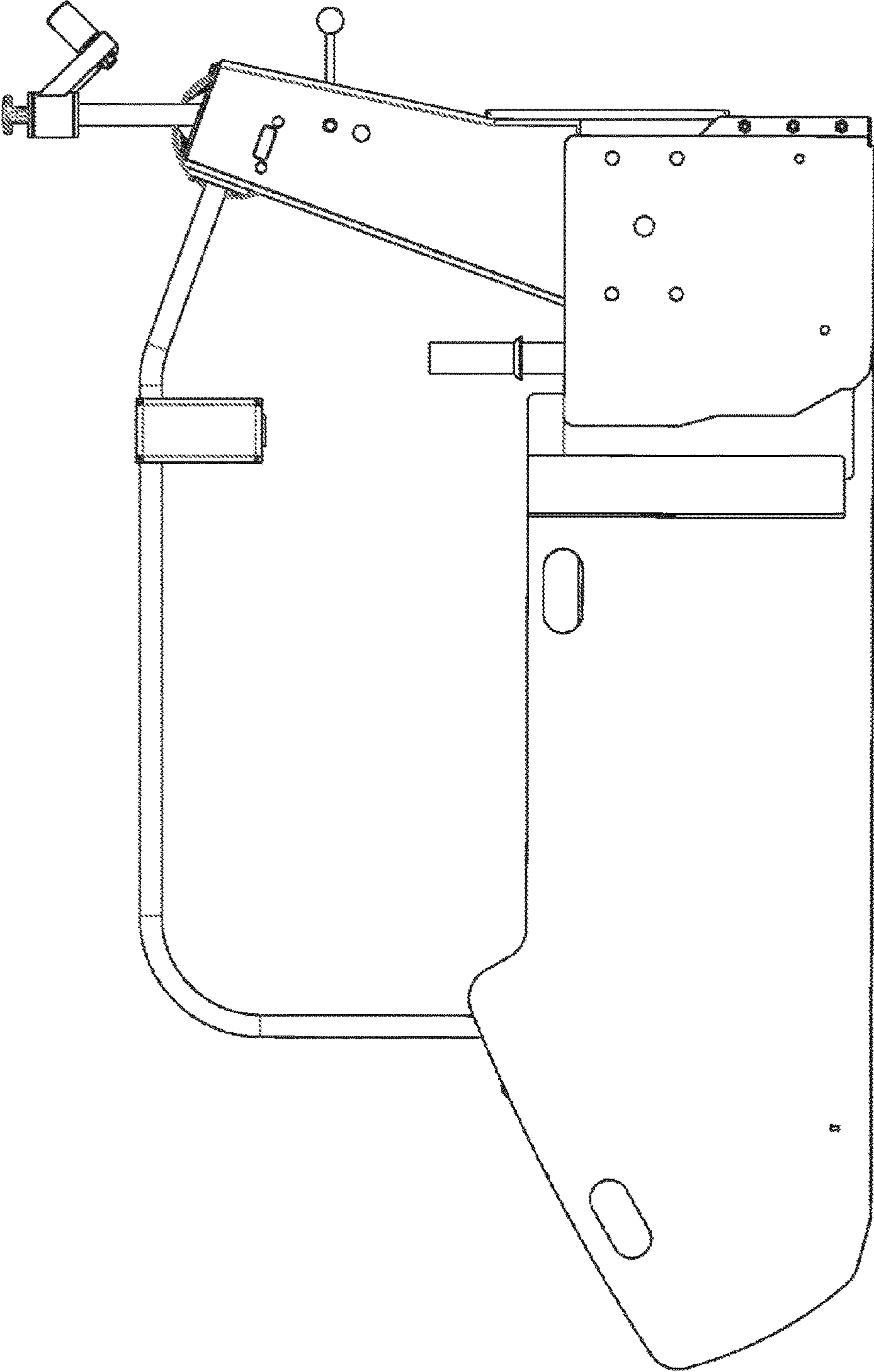


FIG. 5

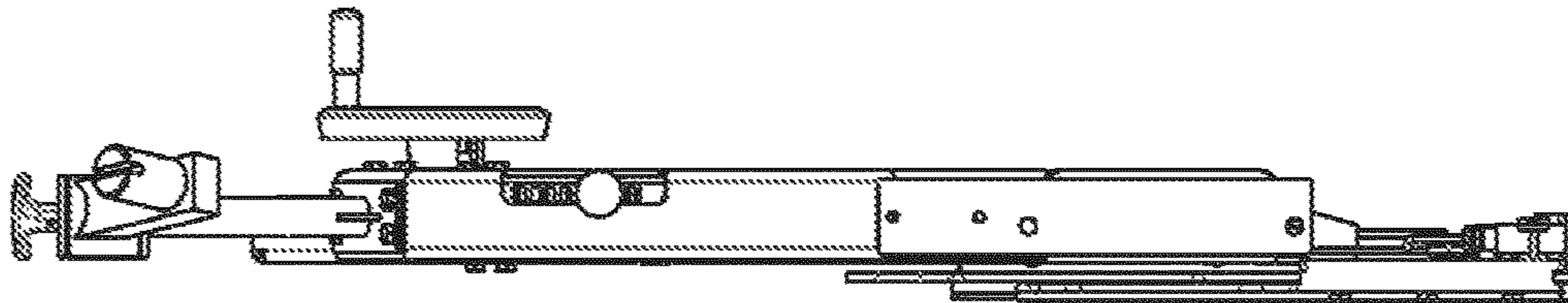


FIG. 6

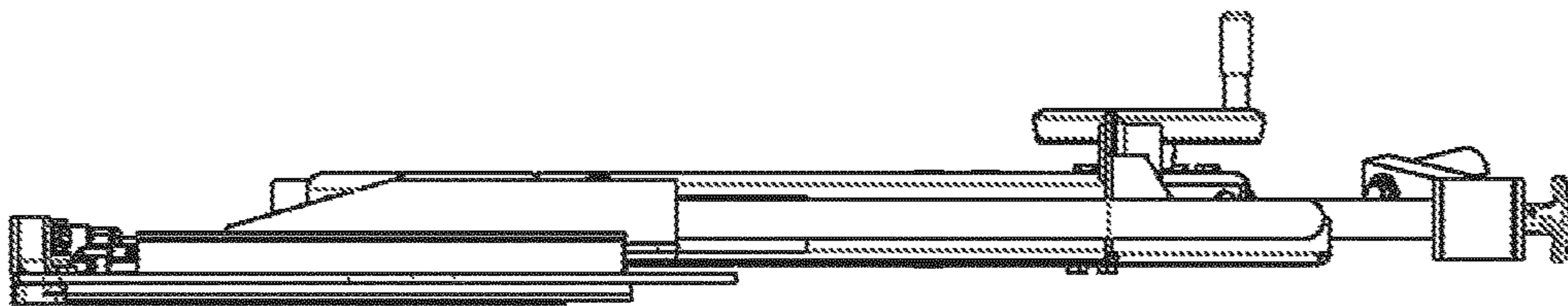
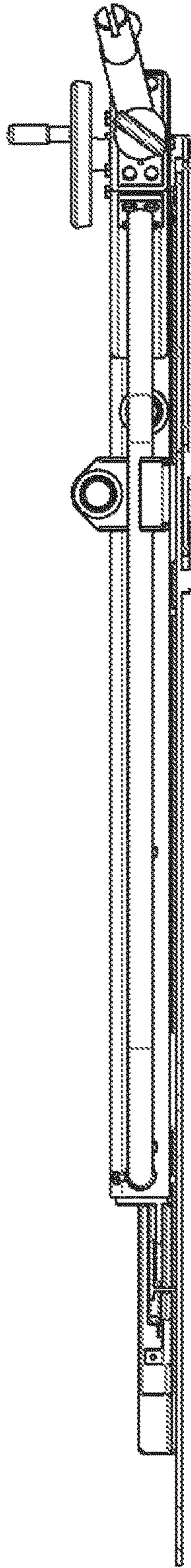


FIG. 7



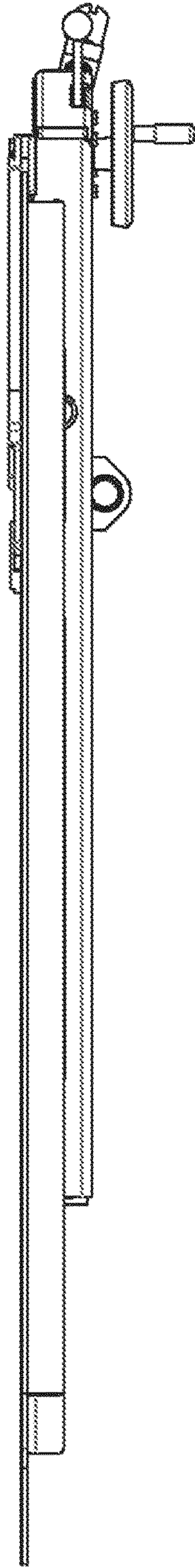


FIG. 8