



US00D719981S

(12) **United States Design Patent**
Miller

(10) **Patent No.:** **US D719,981 S**

(45) **Date of Patent:** **** Dec. 23, 2014**

(54) **MOWER DECK**

(71) Applicant: **MTD Products Inc**, Valley City, OH
(US)

(72) Inventor: **Michael Miller**, Brunswick, OH (US)

(73) Assignee: **MTD Products Inc**, Valley City, OH
(US)

(**) Term: **14 Years**

(21) Appl. No.: **29/491,195**

(22) Filed: **May 19, 2014**

(51) **LOC (10) Cl.** **15-03**

(52) **U.S. Cl.**
USPC **D15/17; D15/27**

(58) **Field of Classification Search**
USPC D15/10, 11, 14, 15, 17, 27, 28; 56/6,
56/13.3, 13.4, 15.8, 16.7, 17.1, 201, 202,
56/255, 320.2, 320.1, 16.9, 17.5
See application file for complete search history.

(56) **References Cited**

U.S. PATENT DOCUMENTS

3,267,652	A *	8/1966	Dahlgren et al.	56/6
D206,756	S *	1/1967	Bottenberg	D15/14
D208,364	S *	8/1967	Koss	D15/27
D227,498	S *	6/1973	McCanse et al.	D15/14
3,736,735	A *	6/1973	Kulak et al.	56/13.6
D271,398	S *	11/1983	McCanse et al.	D15/27
D316,101	S *	4/1991	McCanse et al.	D15/27
5,113,640	A *	5/1992	Colistro	56/6
D344,738	S *	3/1994	Young	D15/27
D345,168	S *	3/1994	Cook et al.	D15/27
5,343,683	A *	9/1994	Friesen	56/320.1

D394,662	S *	5/1998	Grow	D15/27
6,052,980	A *	4/2000	Friesen	56/320.1
D424,071	S *	5/2000	Bickford et al.	D15/17
D435,564	S *	12/2000	Klasson	D15/17
D445,432	S *	7/2001	Bickford	D15/27
6,681,553	B2 *	1/2004	Ferree et al.	56/320.1
D501,215	S *	1/2005	Steele et al.	D15/17
D547,332	S *	7/2007	Degelman et al.	D15/17
7,784,255	B2 *	8/2010	Moore et al.	56/320.1
8,099,938	B2 *	1/2012	Kure et al.	56/320.2
D660,875	S *	5/2012	Mabey et al.	D15/17
D670,315	S *	11/2012	Fraley et al.	D15/14

* cited by examiner

Primary Examiner — Mark Goodwin

(74) *Attorney, Agent, or Firm* — Wegman, Hessler & Vanderburg

(57) **CLAIM**

I claim the ornamental design for a mower deck, as shown and described.

DESCRIPTION

FIG. 1 is a top perspective view of a mower deck of the present invention;

FIG. 2 is top view thereof;

FIG. 3 is a rear view thereof;

FIG. 4 is a front view thereof;

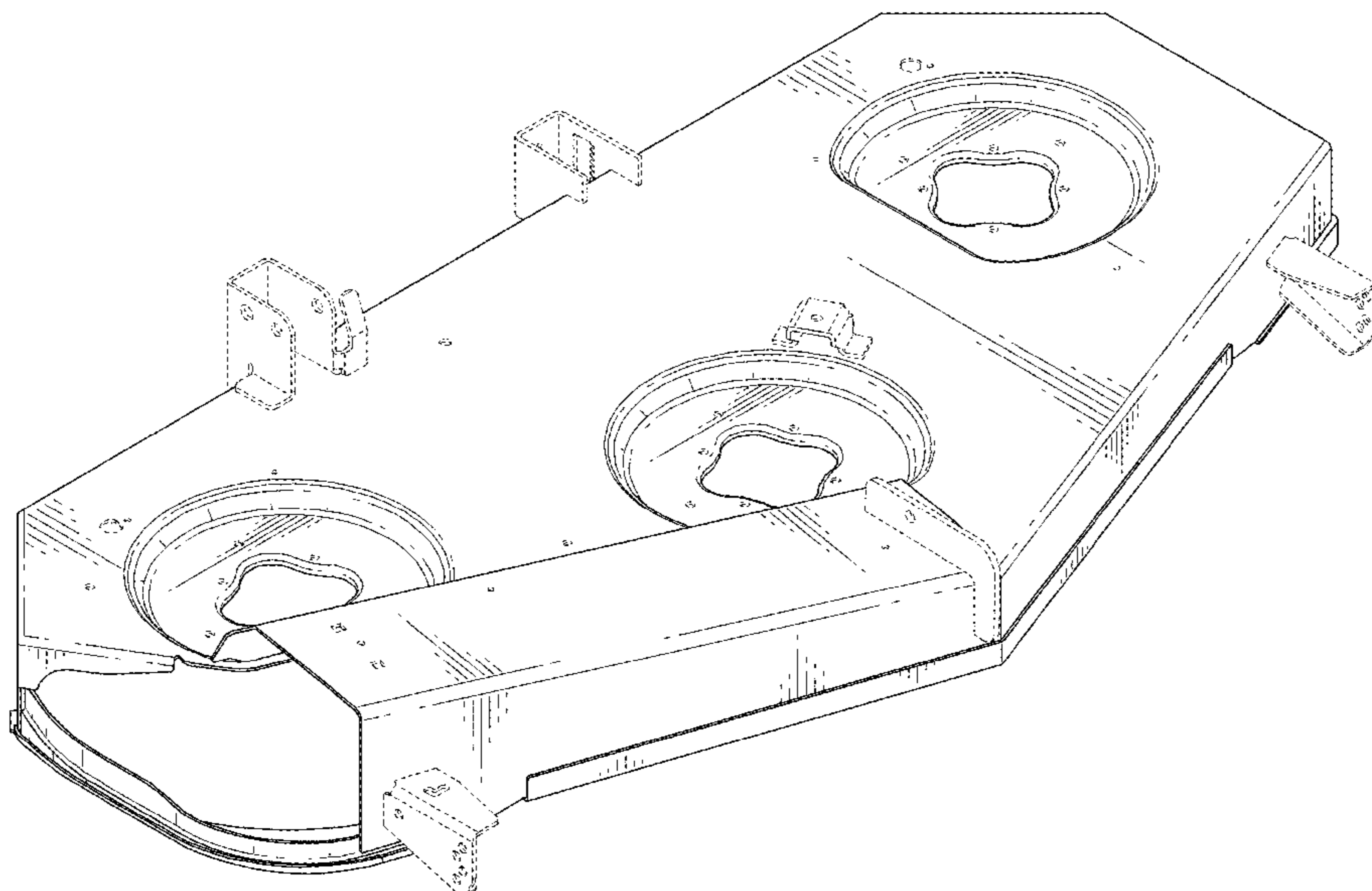
FIG. 5 is a first side view thereof;

FIG. 6 is a second side view thereof; and,

FIG. 7 is a bottom view thereof.

The ornamental design which is claimed is shown in solid lines in the drawings. Any broken lines in the drawings are for illustrative purposes only and form no part of the claimed design.

1 Claim, 5 Drawing Sheets



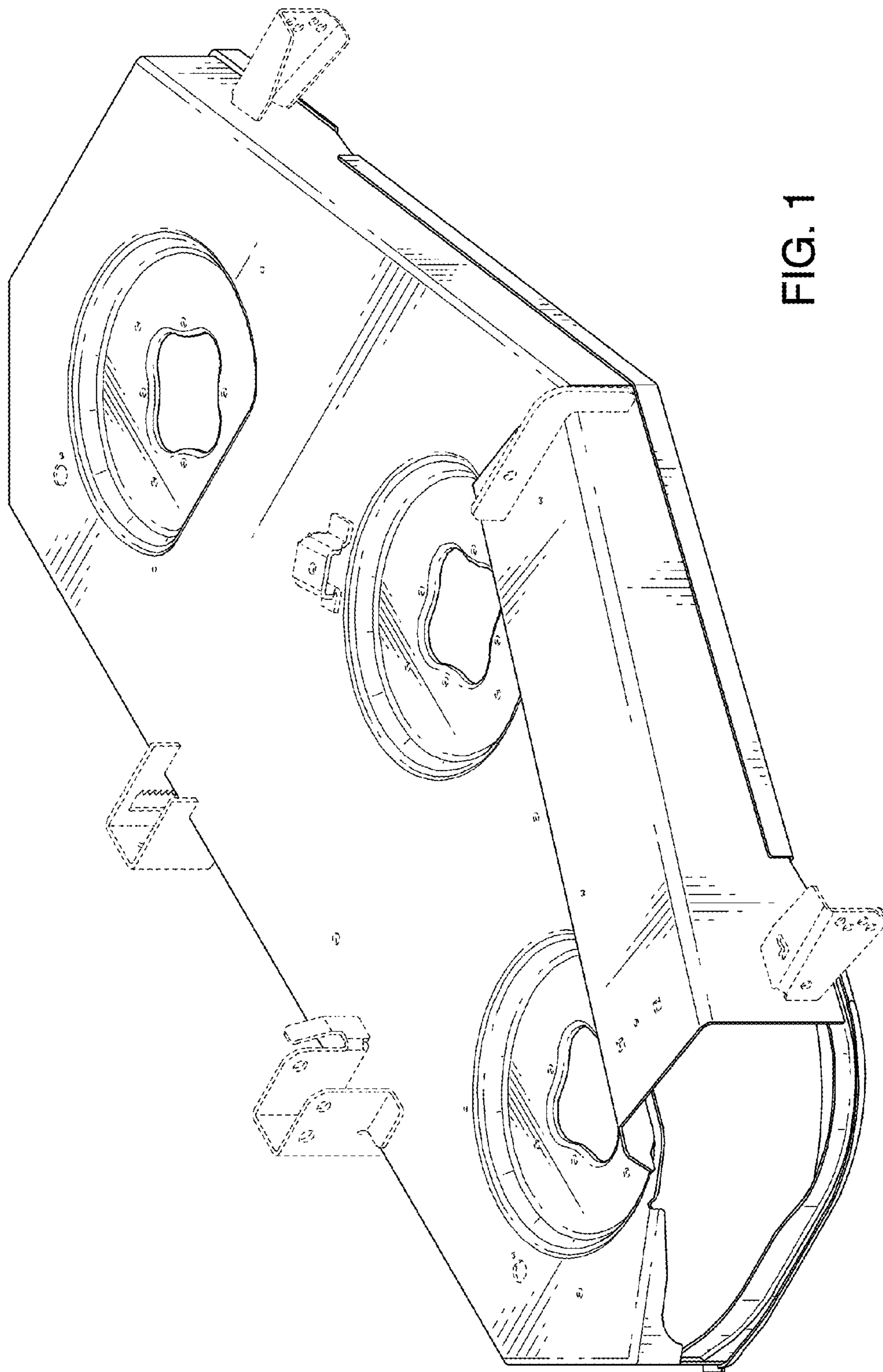


FIG. 1

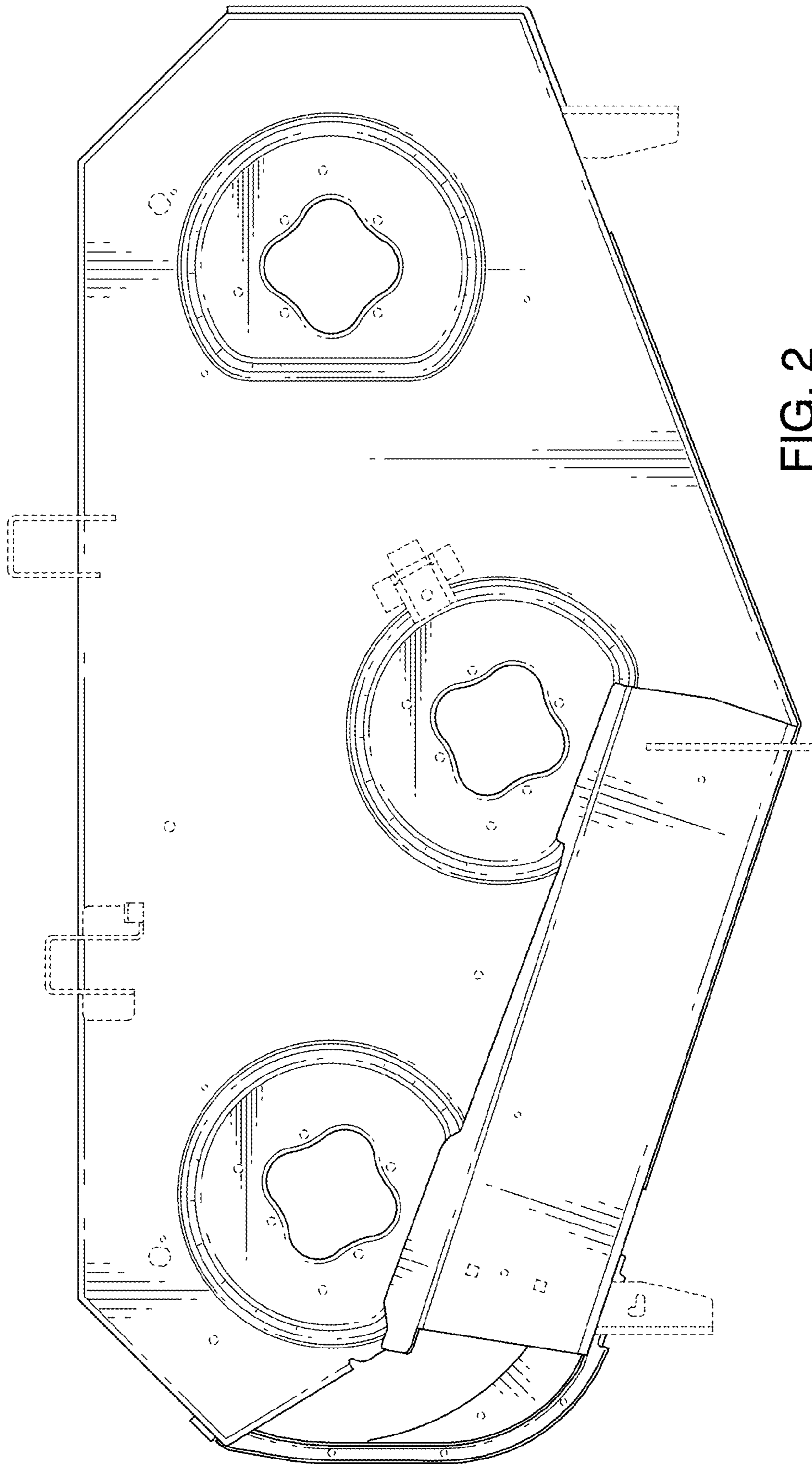


FIG. 2

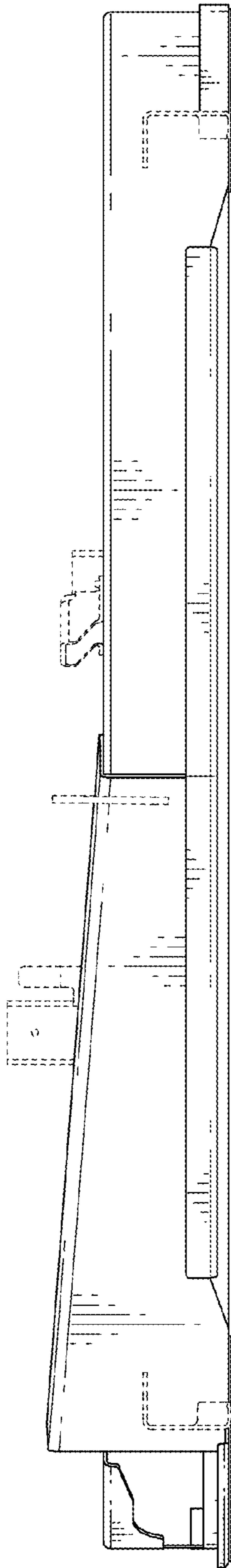


FIG. 3

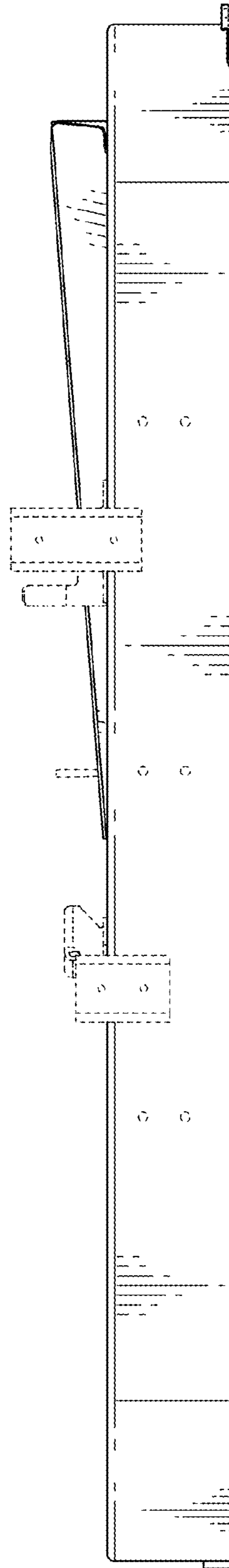


FIG. 4

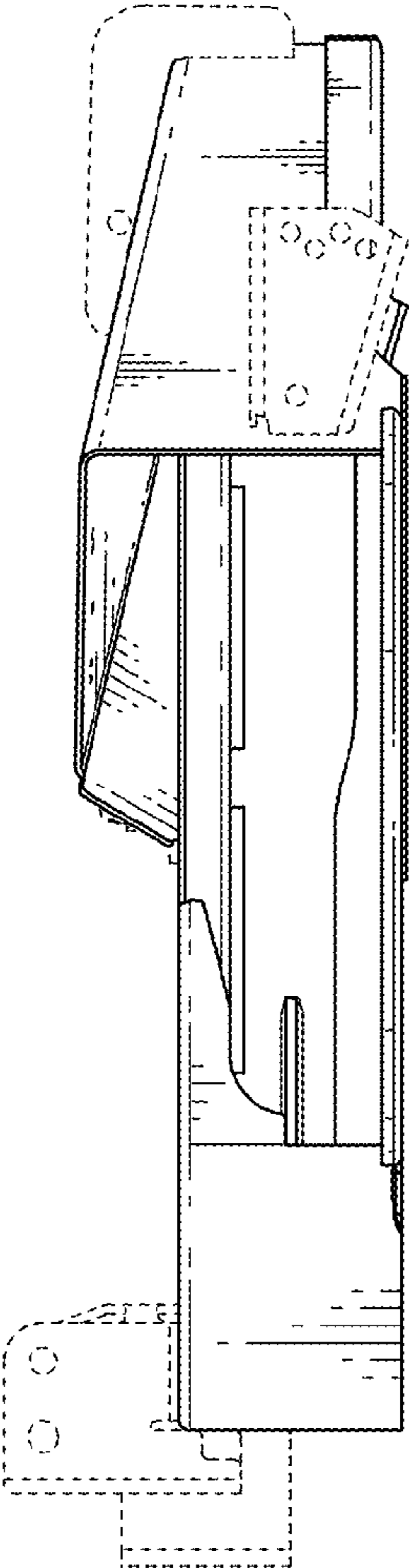


FIG. 5

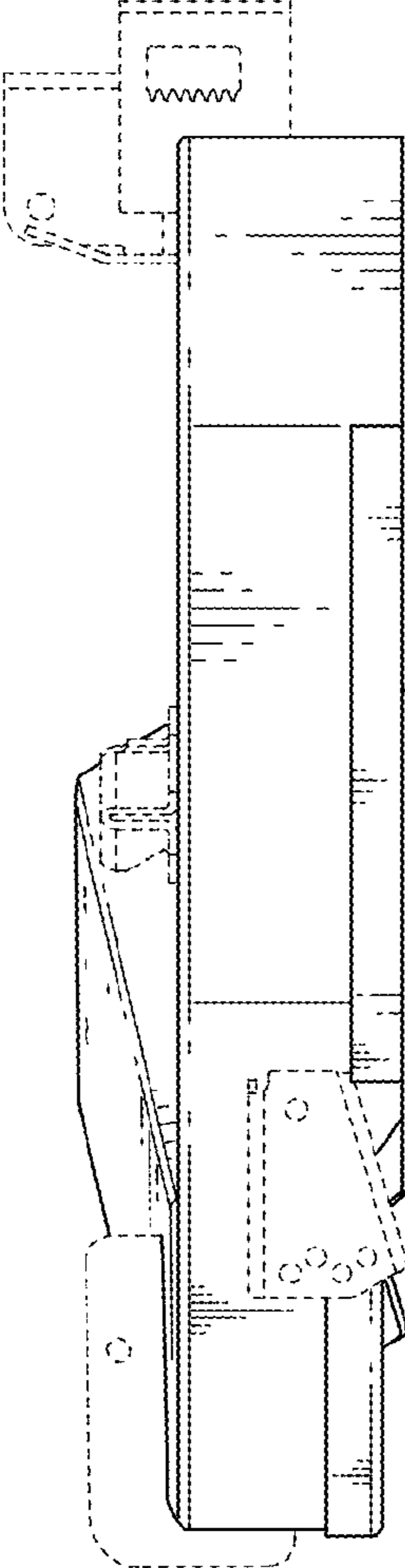


FIG. 6

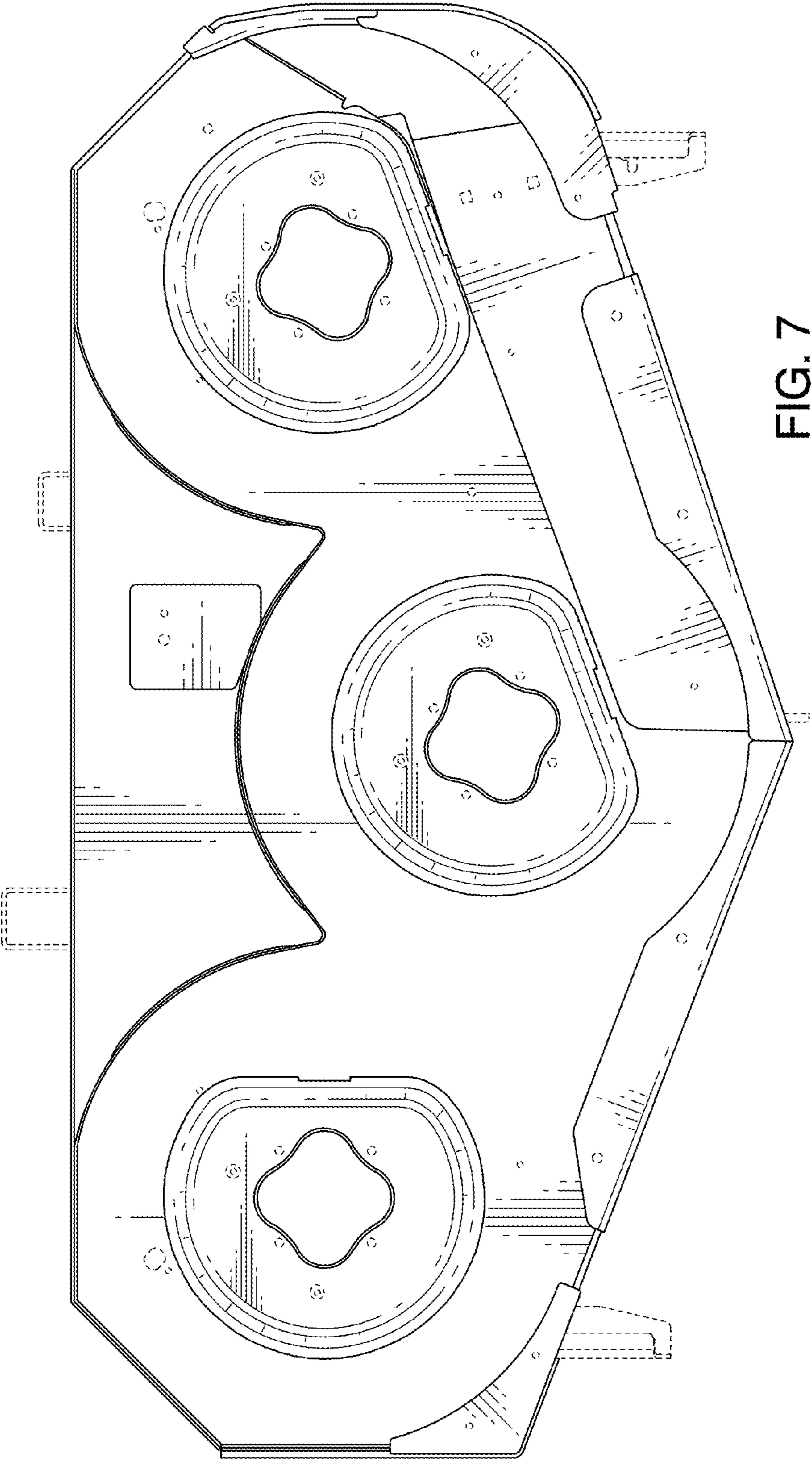


FIG. 7