



US00D719976S

(12) **United States Design Patent**
Bang et al.

(10) **Patent No.:** **US D719,976 S**
(45) **Date of Patent:** **** Dec. 23, 2014**

(54) **PORTABLE AUDIO DEVICE**

(56) **References Cited**

(71) Applicant: **Samsung Electronics Co., Ltd.**,
Suwon-Si, Gyeonggi-Do (KR)
(72) Inventors: **Sungil Bang**, Seoul (KR); **Son Chae Joo**, Seoul (KR); **Jae Neung Lee**,
Ansan-si (KR)
(73) Assignee: **Samsung Electronics Co., Ltd.**,
Gyeonggi-do (KR)
(**) Term: **14 Years**
(21) Appl. No.: **29/466,977**
(22) Filed: **Sep. 13, 2013**
(30) **Foreign Application Priority Data**

Mar. 13, 2013 (KR) 30-2013-0012811

(51) **LOC (10) Cl.** **14-03**

(52) **U.S. Cl.**
USPC **D14/496; D14/203.1**

(58) **Field of Classification Search**
CPC . A63F 13/00; A63F 11/00; A63F 2300/8047;
G06F 17/00
USPC D14/496, 401, 435, 474, 483, 217, 137,
D14/138, 160, 168, 356, 203.1-203.8, 507;
345/156, 169, 173-179, 905;
715/727-729, 864; 710/1, 5, 8; 713/1,
713/600; 455/1.1, 1.7, 73, 344-347, 93, 95,
455/3.01-3.06, 550.1, 573.1; 370/342-344;
369/1, 2, 6-12; 463/43-47; 273/148 B

See application file for complete search history.

U.S. PATENT DOCUMENTS

5,664,292	A *	9/1997	Chen	24/3.11
5,825,408	A *	10/1998	Yuyama et al.	348/14.01
5,914,707	A *	6/1999	Kono	345/173
6,565,444	B2 *	5/2003	Nagata et al.	463/46
D491,911	S *	6/2004	Jung	D14/203.7
D504,409	S *	4/2005	Kim	D14/203.3
D532,426	S *	11/2006	Lee et al.	D14/203.3
D546,347	S *	7/2007	Millora	D14/496
D552,127	S *	10/2007	Song	D14/496
D615,556	S *	5/2010	Yeo et al.	D14/496
D631,485	S *	1/2011	Hibino	D14/496
D639,773	S *	6/2011	Kang	D14/203.7

* cited by examiner

Primary Examiner — Prabhakar Deshmukh
(74) *Attorney, Agent, or Firm* — Harness, Dickey & Pierce

(57) **CLAIM**
The ornamental design for a portable audio device, as shown and described.

DESCRIPTION

FIG. 1 is a front perspective view of a portable audio device showing our new design;
FIG. 2 is a front view thereof;
FIG. 3 is a rear view thereof;
FIG. 4 is a left-side view thereof;
FIG. 5 is a right-side view thereof;
FIG. 6 is a top view thereof; and,
FIG. 7 is a bottom view thereof.

1 Claim, 7 Drawing Sheets

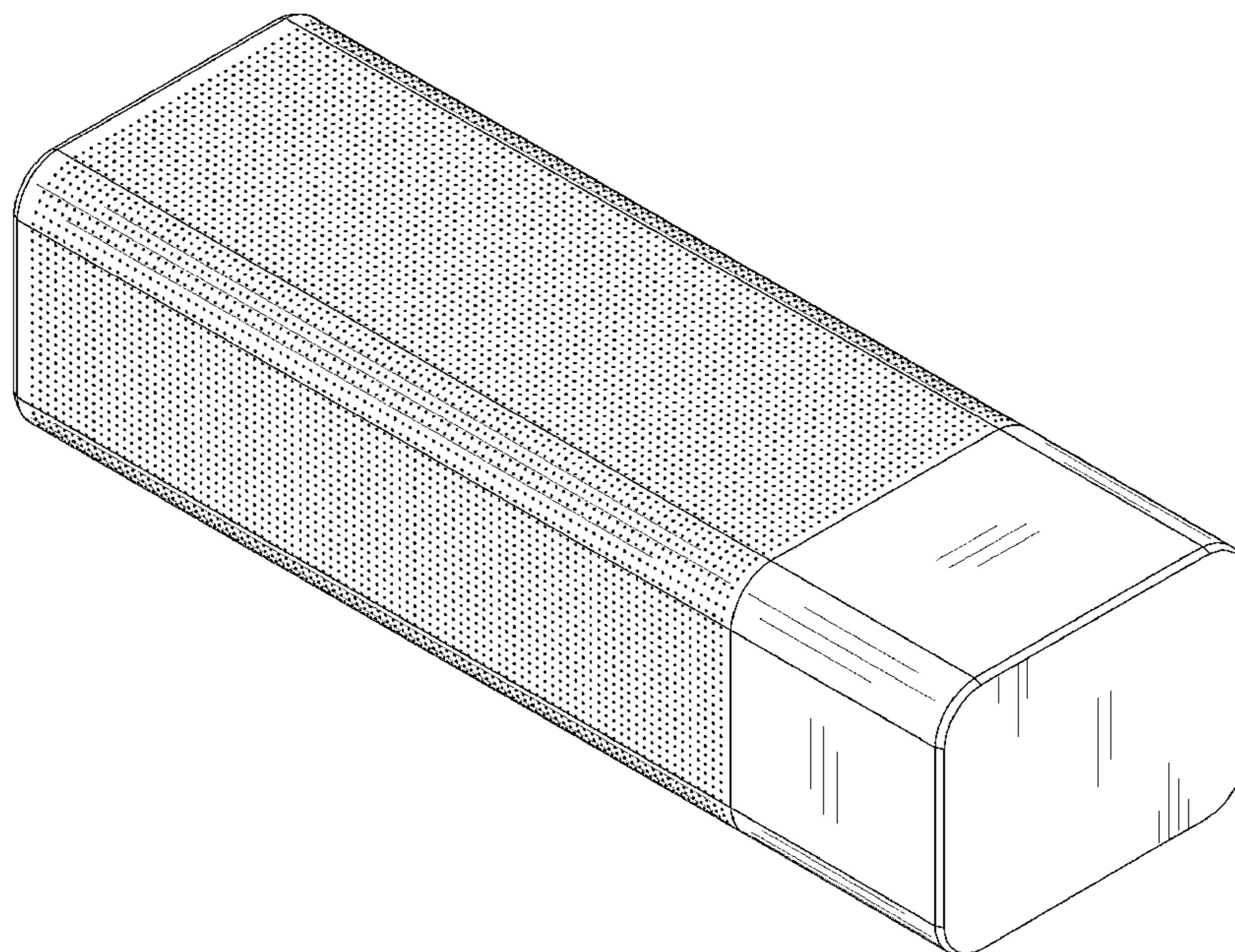
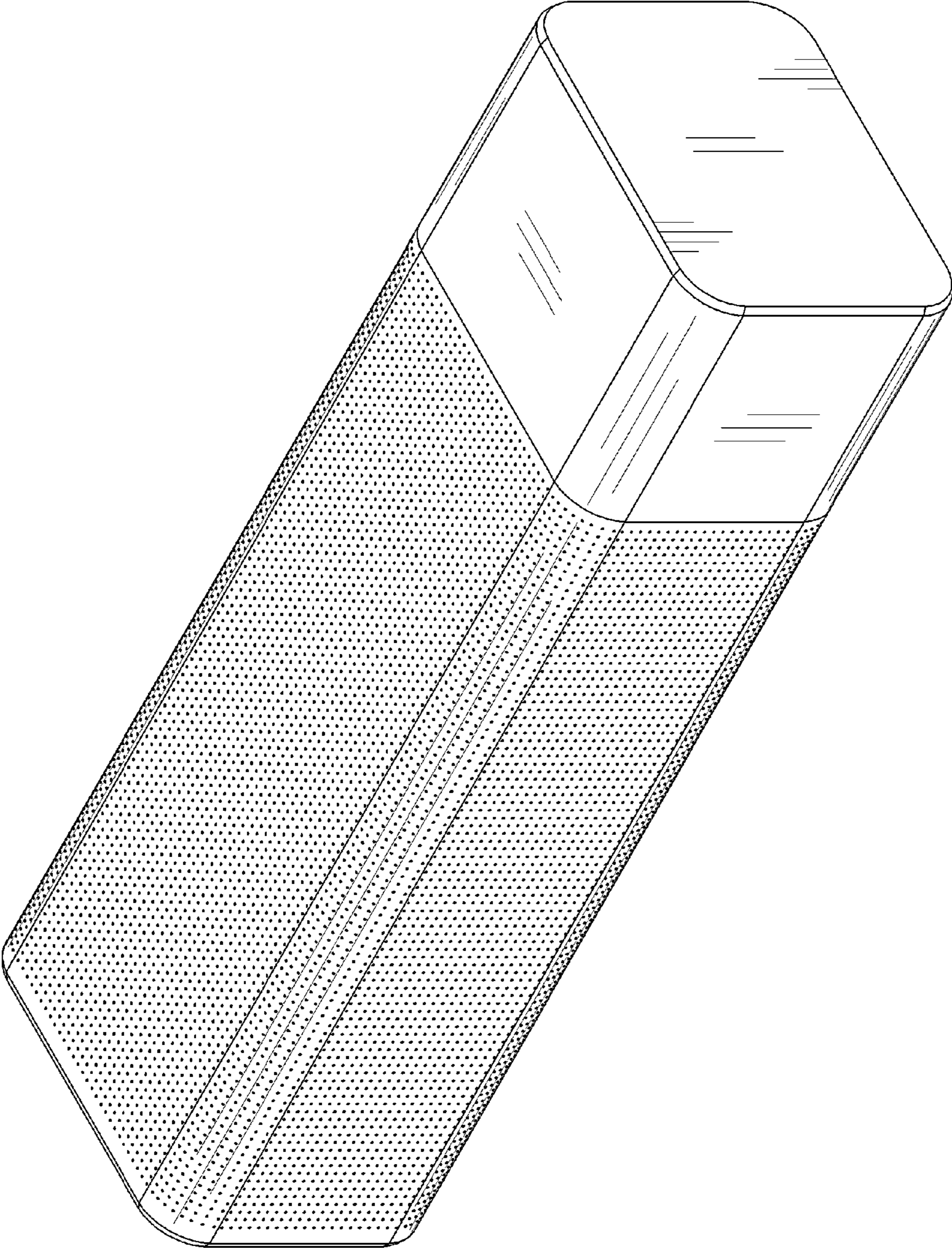


FIG. 1



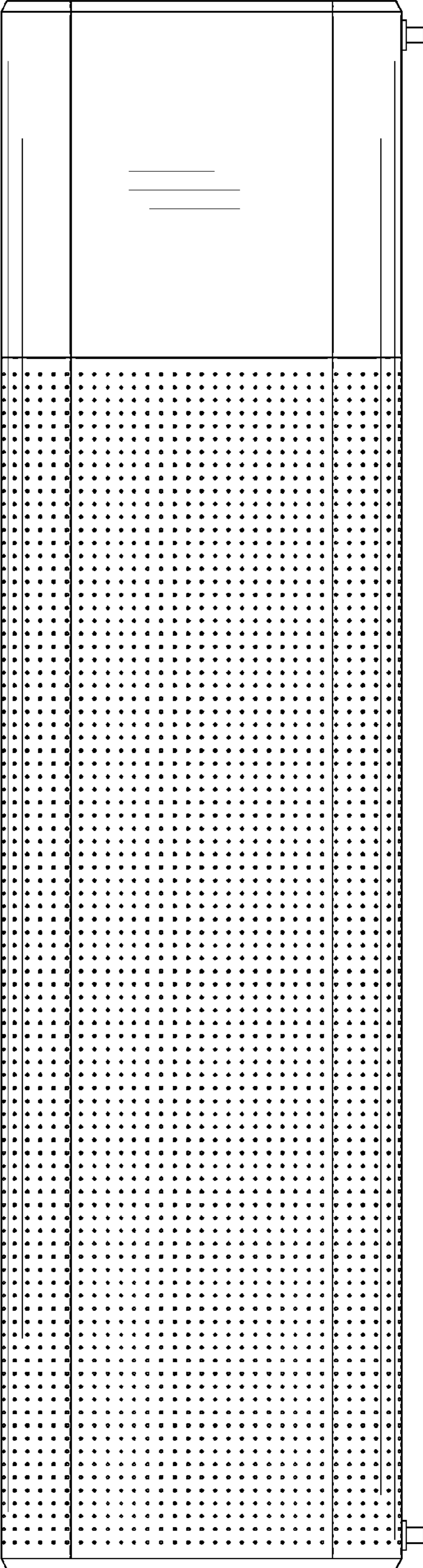


FIG. 2

FIG. 3

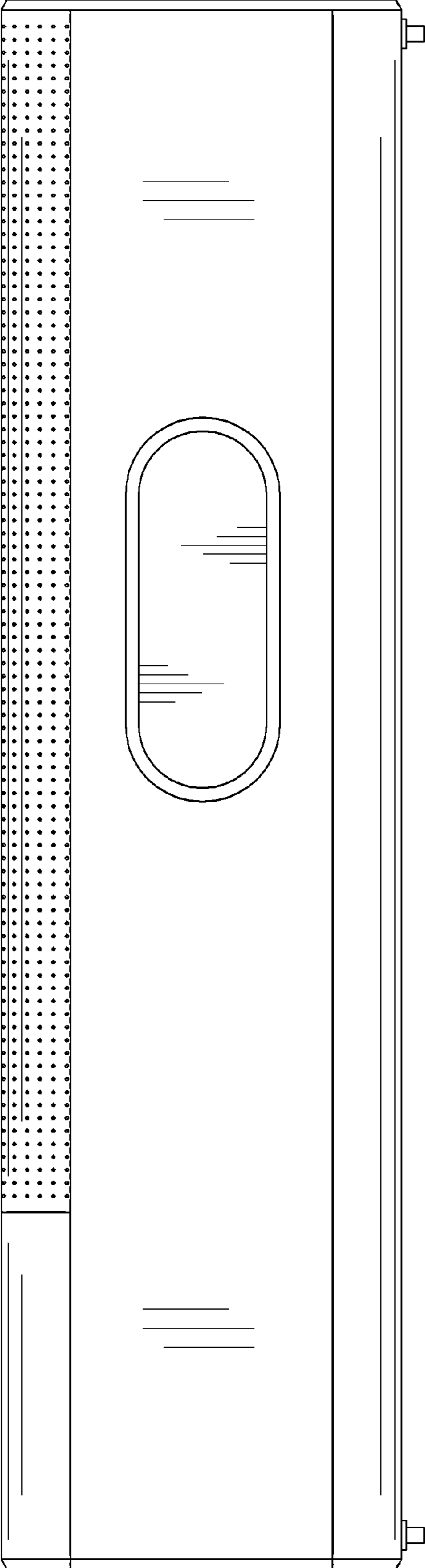


FIG. 4

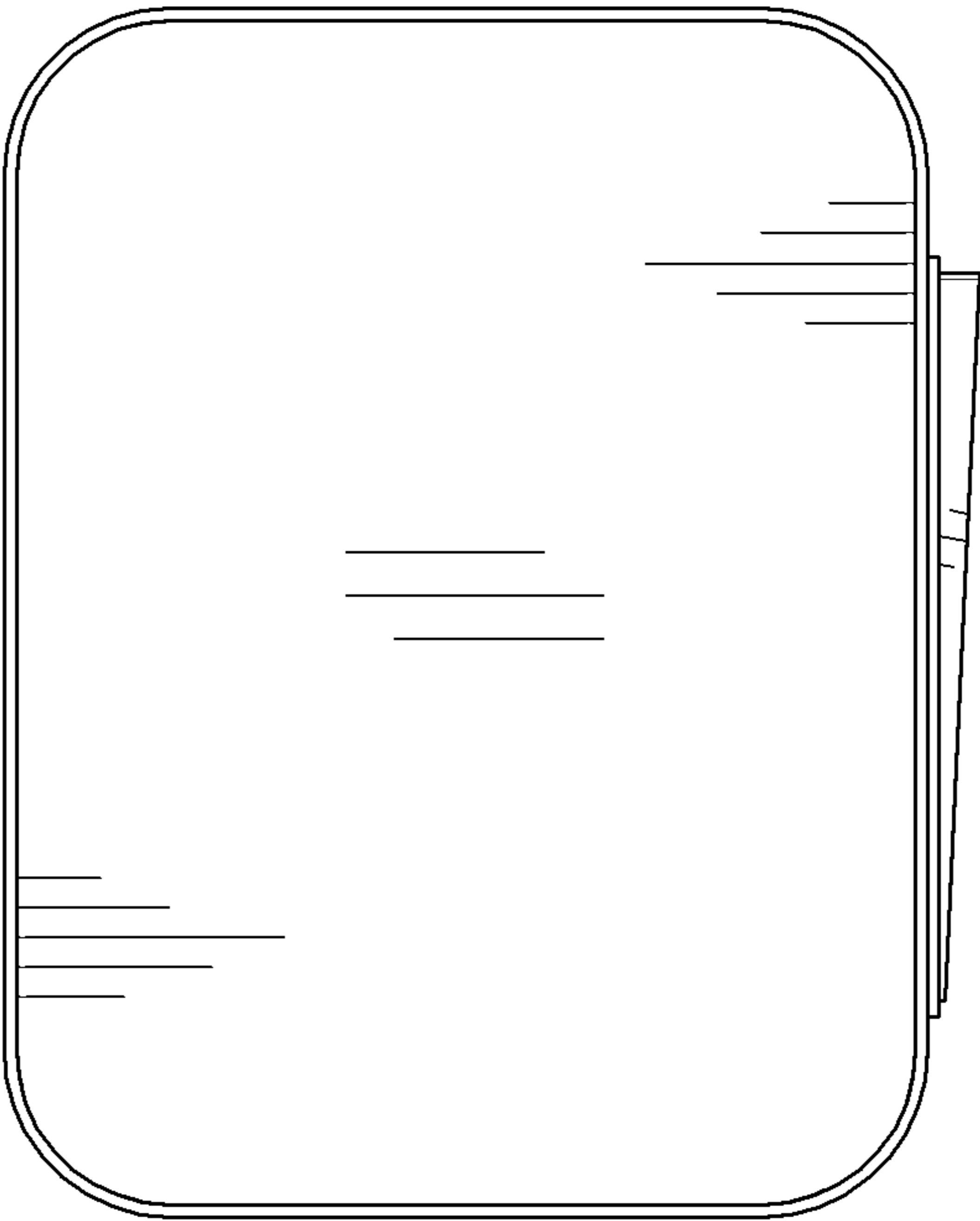


FIG. 5

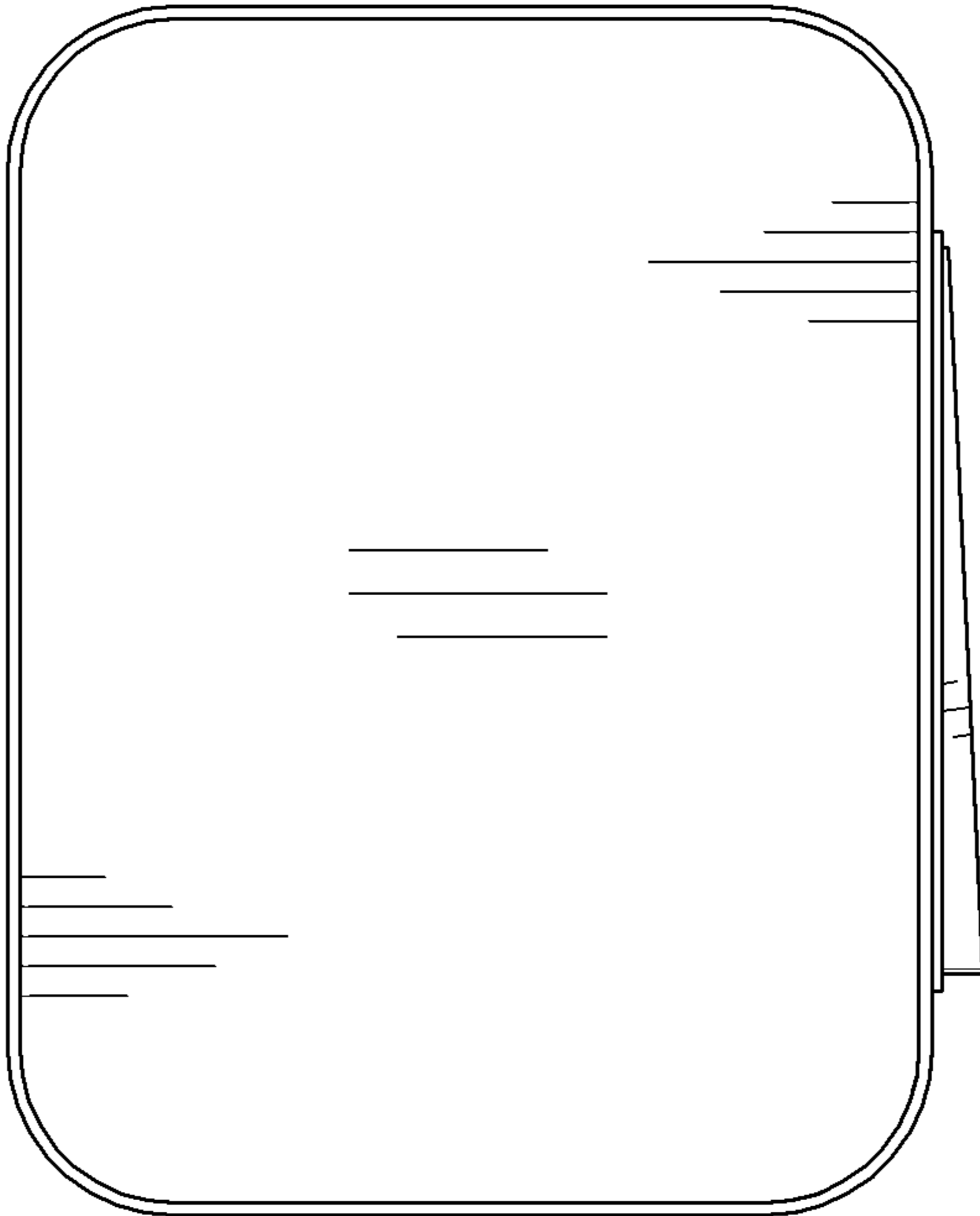


FIG. 6

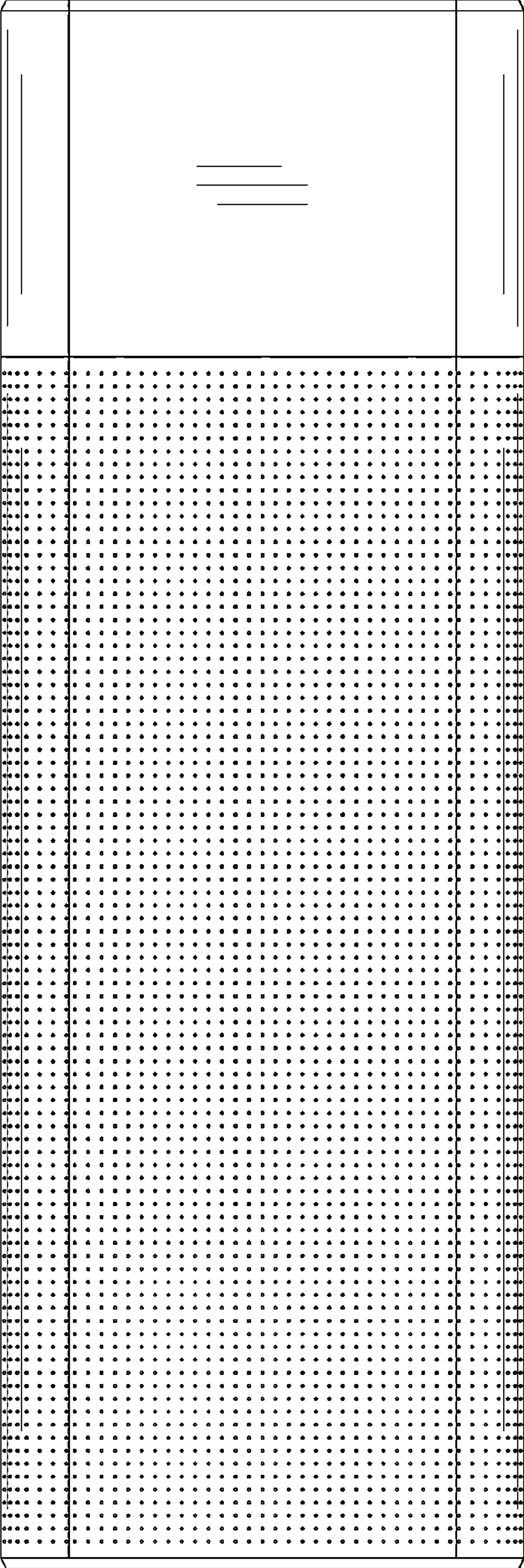


FIG. 7

