



US00D719975S

(12) **United States Design Patent**  
**Joo et al.**

(10) **Patent No.:** **US D719,975 S**  
(45) **Date of Patent:** **\*\* Dec. 23, 2014**

(54) **PORTABLE AUDIO DEVICE**

(71) Applicant: **Samsung Electronics Co., Ltd.**,  
Suwon-Si, Gyeonggi-Do (KR)  
(72) Inventors: **Son Chae Joo**, Seoul (KR); **Sungil Bang**, Seoul (KR); **Jae Neung Lee**,  
Ansan-si (KR)  
(73) Assignee: **Samsung Electronics Co., Ltd.**,  
Gyeonggi-do (KR)

(\*\*) Term: **14 Years**

(21) Appl. No.: **29/466,947**

(22) Filed: **Sep. 13, 2013**

(30) **Foreign Application Priority Data**

Mar. 13, 2013 (KR) ..... 30-2013-0012817

(51) **LOC (10) Cl.** ..... **14-03**

(52) **U.S. Cl.**  
USPC ..... **D14/496; D14/203.1**

(58) **Field of Classification Search**  
CPC . A63F 13/00; A63F 11/00; A63F 2300/8047;  
G06F 17/00  
USPC ..... D14/496, 401, 435, 474, 483, 217, 137,  
D14/138, 160, 168, 356, 203.1-203.8, 507;  
345/156, 169, 173-179, 905;  
715/727-729, 864; 710/1, 5, 8; 713/1,  
713/600; 455/1.1, 1.7, 73, 344-347, 93, 95,  
455/3.01-3.06, 550.1, 573.1; 370/342-344;  
369/1, 2, 6-12; 463/43-47; 273/148 B

See application file for complete search history.

(56) **References Cited**

U.S. PATENT DOCUMENTS

5,893,798	A *	4/1999	Stambolic et al. ....	463/46
D481,702	S *	11/2003	Takagi .....	D14/203.1
7,018,294	B2 *	3/2006	Silverbrook et al. ....	463/30
7,209,648	B2 *	4/2007	Barber et al. ....	386/243
D550,704	S *	9/2007	Ichinose .....	D14/496
D601,171	S *	9/2009	Shimizu .....	D14/496
D609,718	S *	2/2010	Chang et al. ....	D14/496
D686,186	S *	7/2013	Kaneko et al. ....	D14/168
D694,215	S *	11/2013	Birger .....	D14/203.5

\* cited by examiner

*Primary Examiner* — Prabhakar Deshmukh

(74) *Attorney, Agent, or Firm* — Harness, Dickey & Pierce,  
P.L.C.

(57) **CLAIM**

The ornamental design for a portable audio device, as shown and described.

**DESCRIPTION**

FIG. 1 is a front perspective view of a portable audio device showing our new design;  
FIG. 2 is a front view thereof;  
FIG. 3 is a rear view thereof;  
FIG. 4 is a left-side view thereof;  
FIG. 5 is a right-side view thereof;  
FIG. 6 is a top view thereof;  
FIG. 7 is a bottom view thereof; and,  
FIG. 8 illustrates that the device is in use.

**1 Claim, 8 Drawing Sheets**

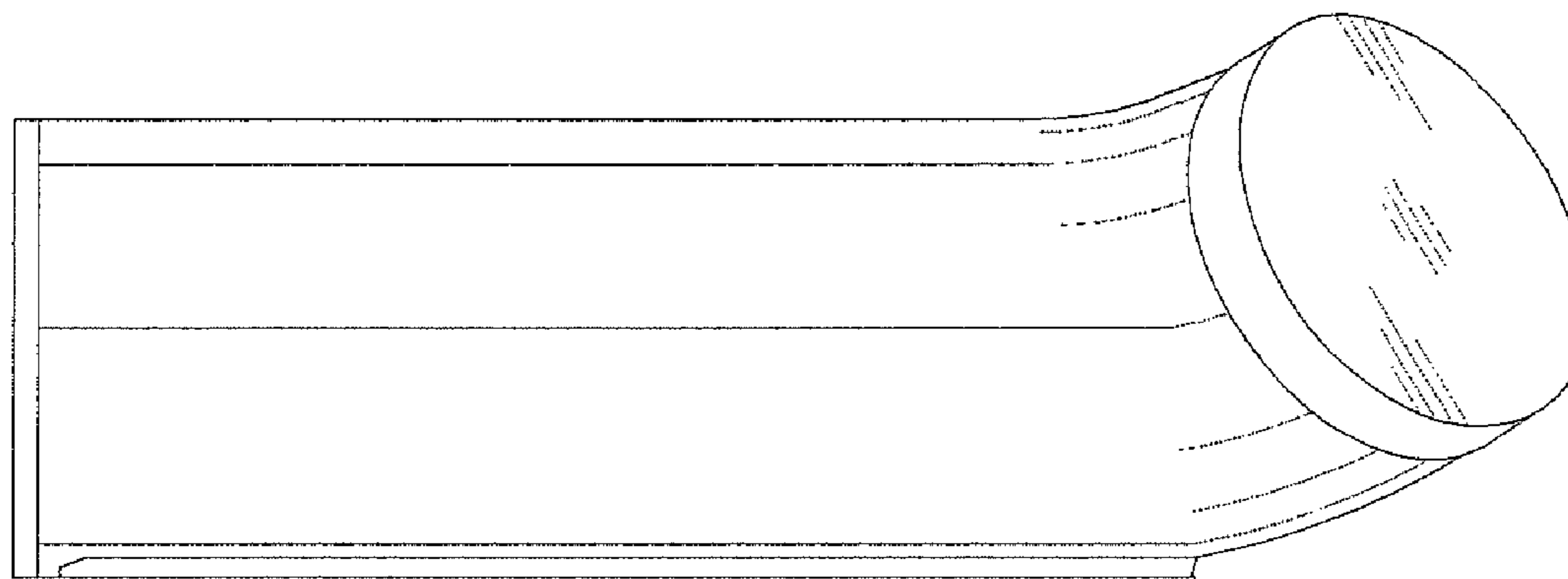


FIG. 1

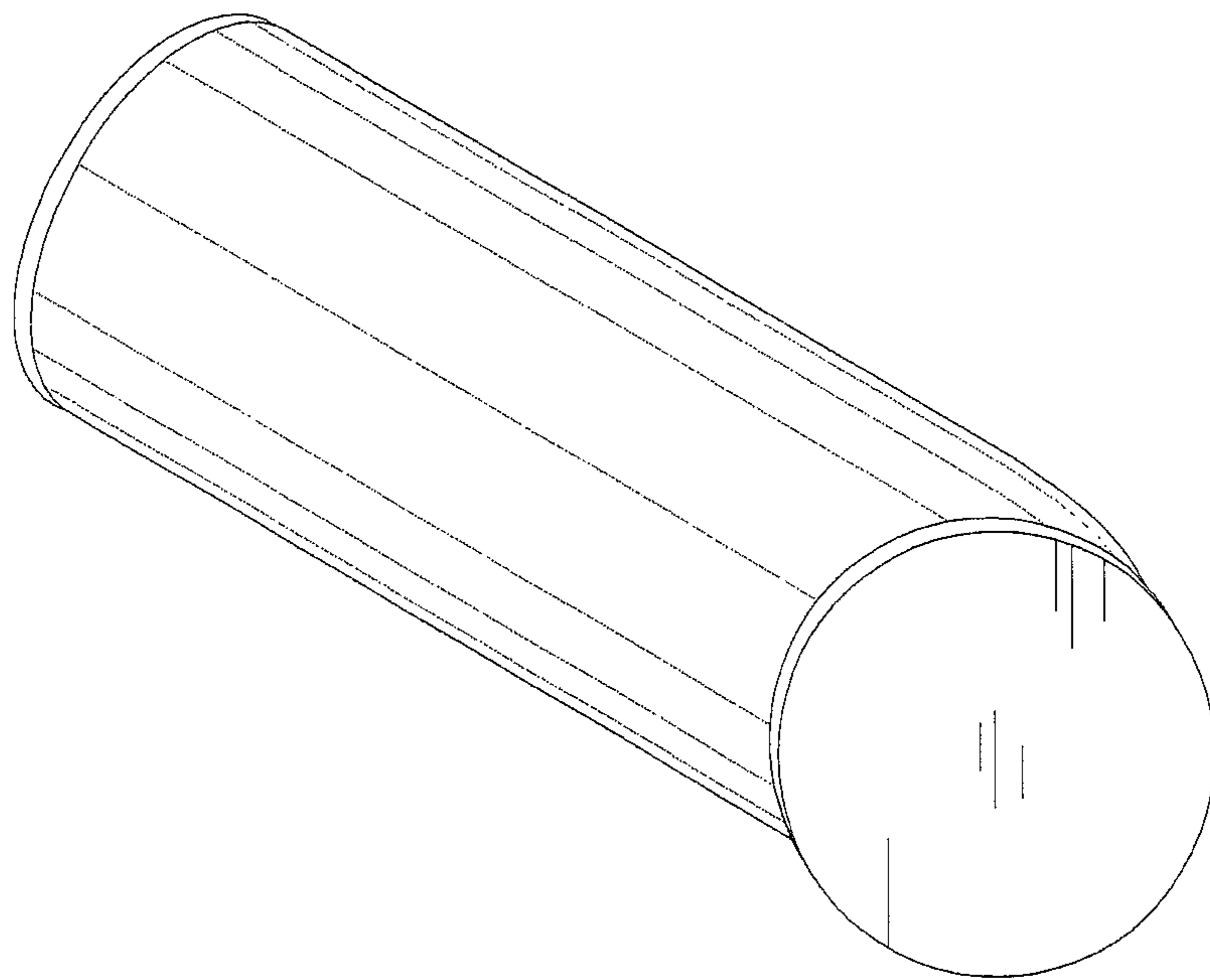


FIG. 2

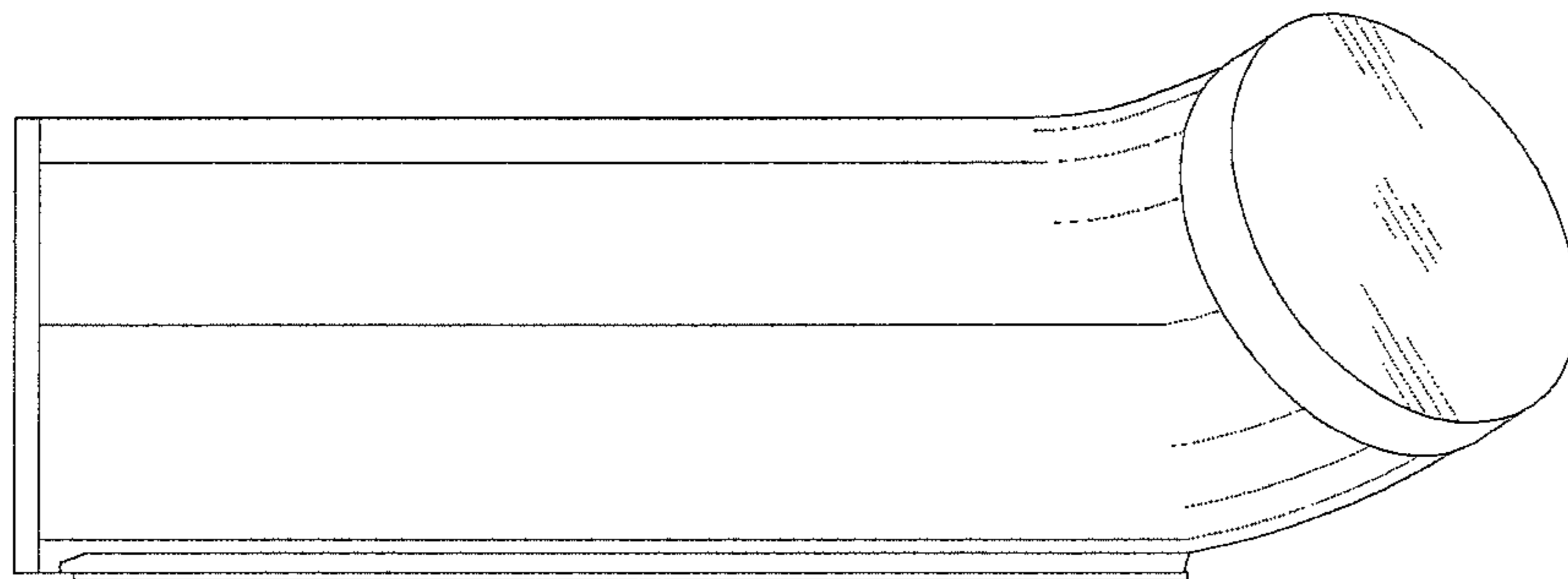
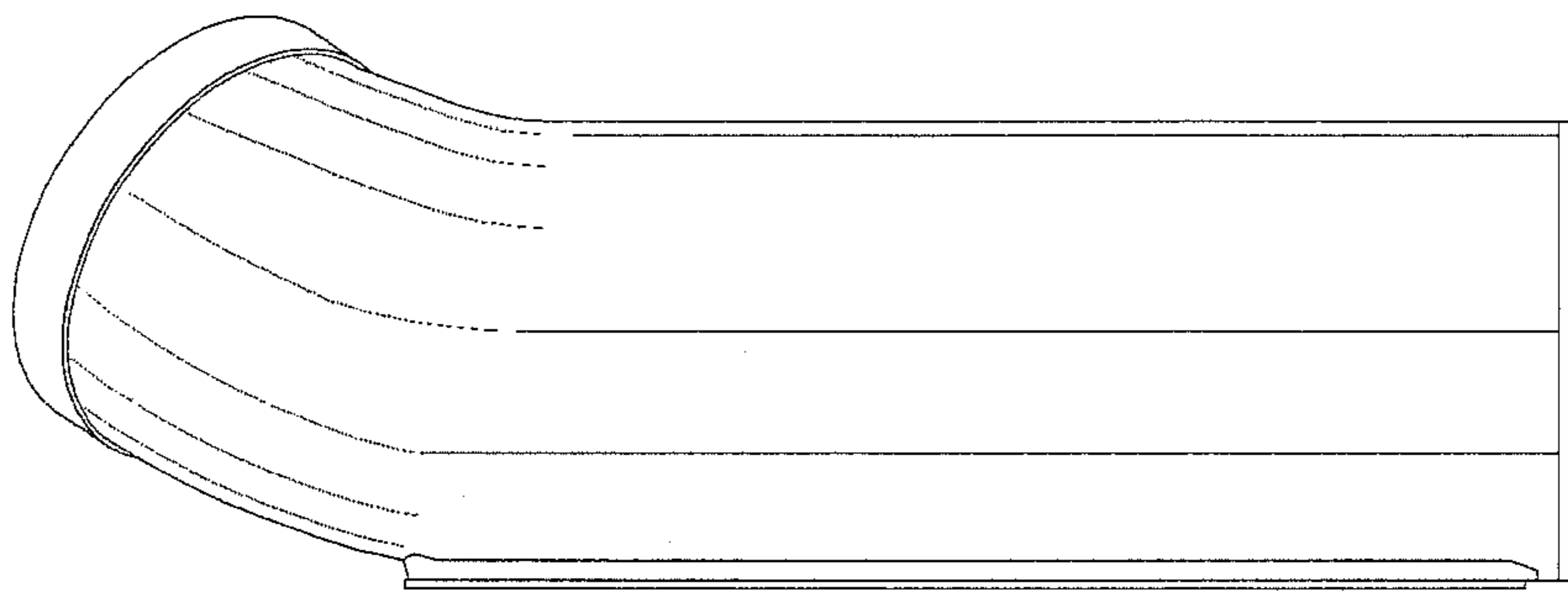


FIG. 3



**FIG. 4**

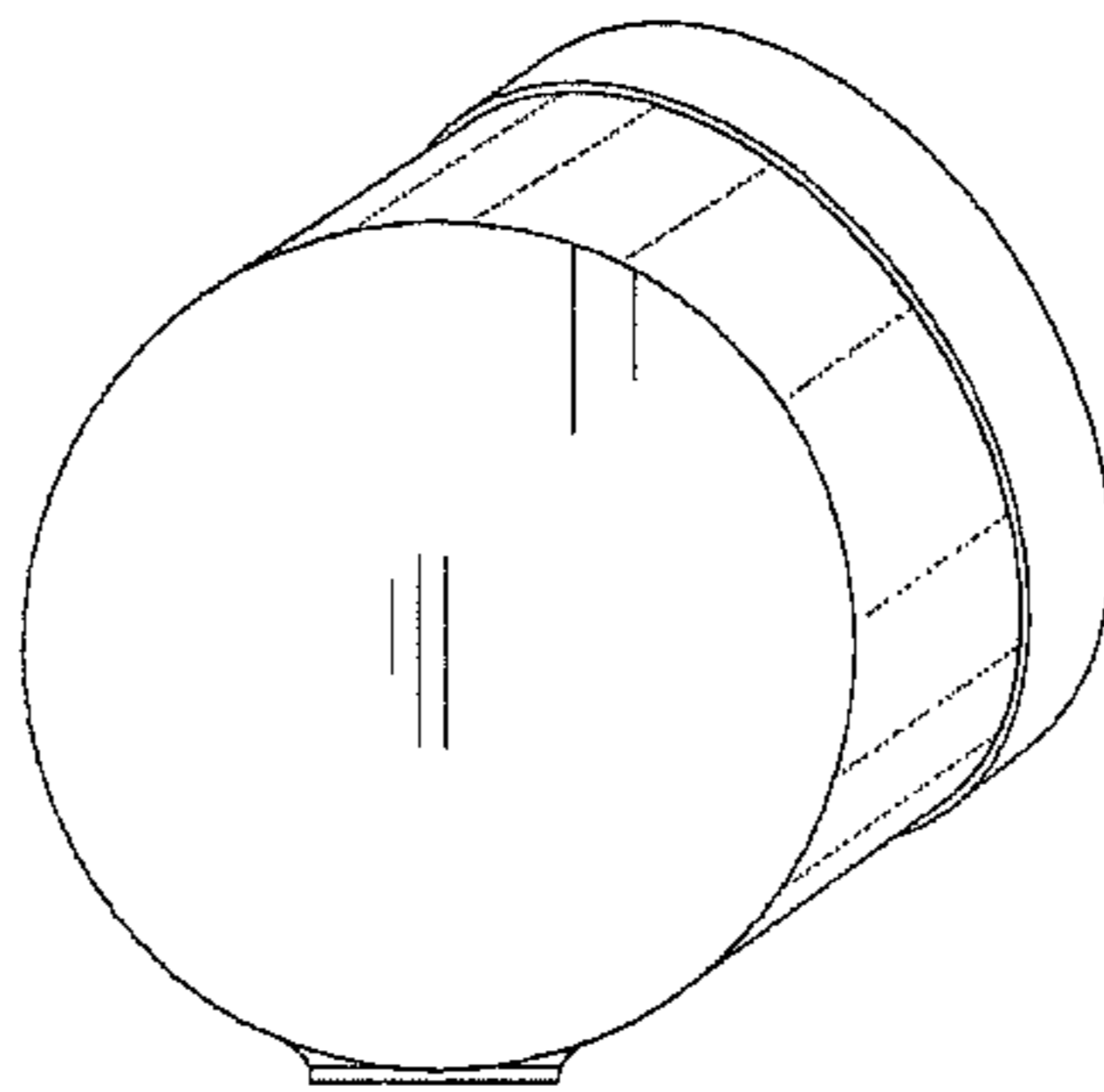


FIG. 5

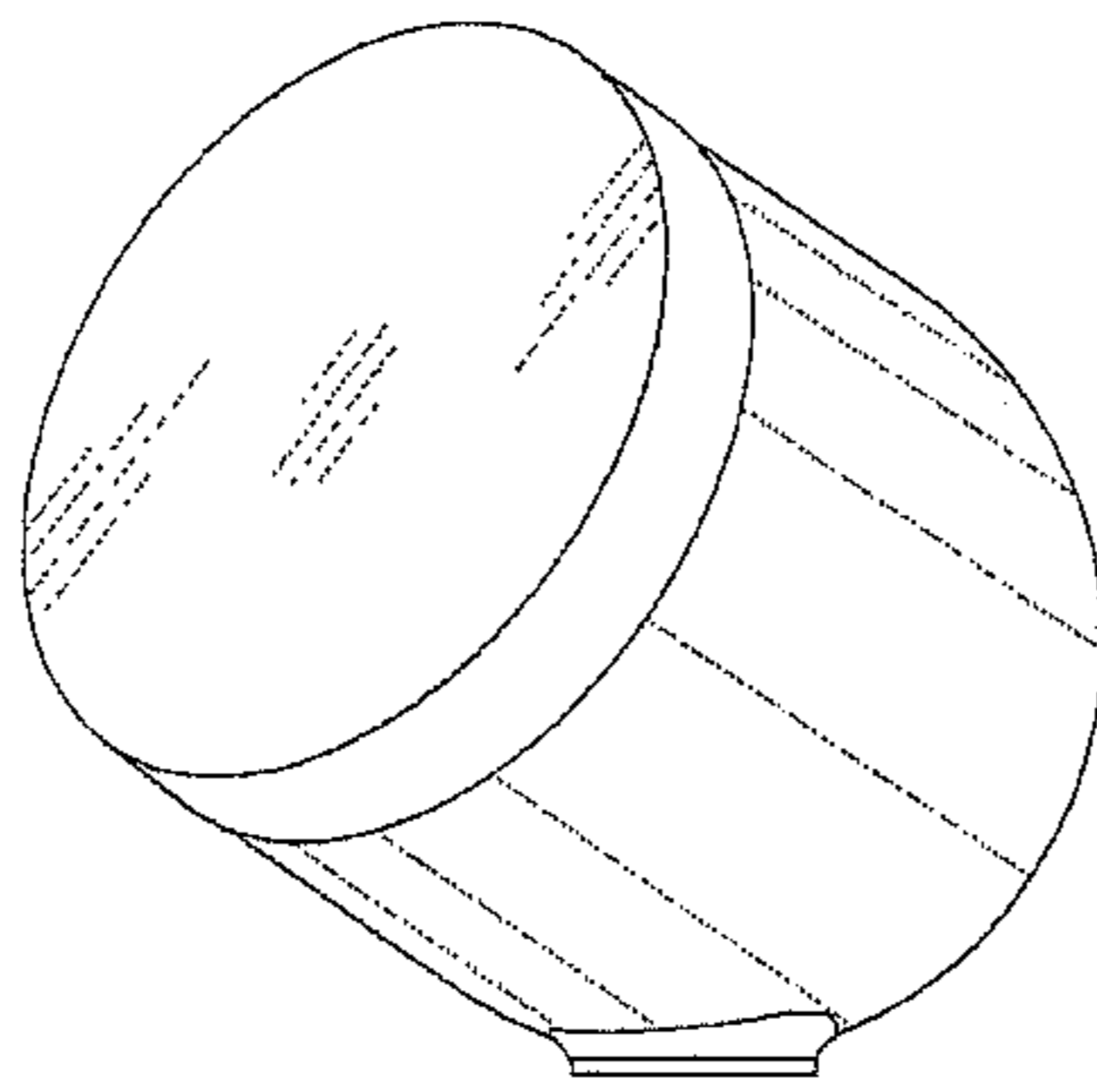


FIG. 6

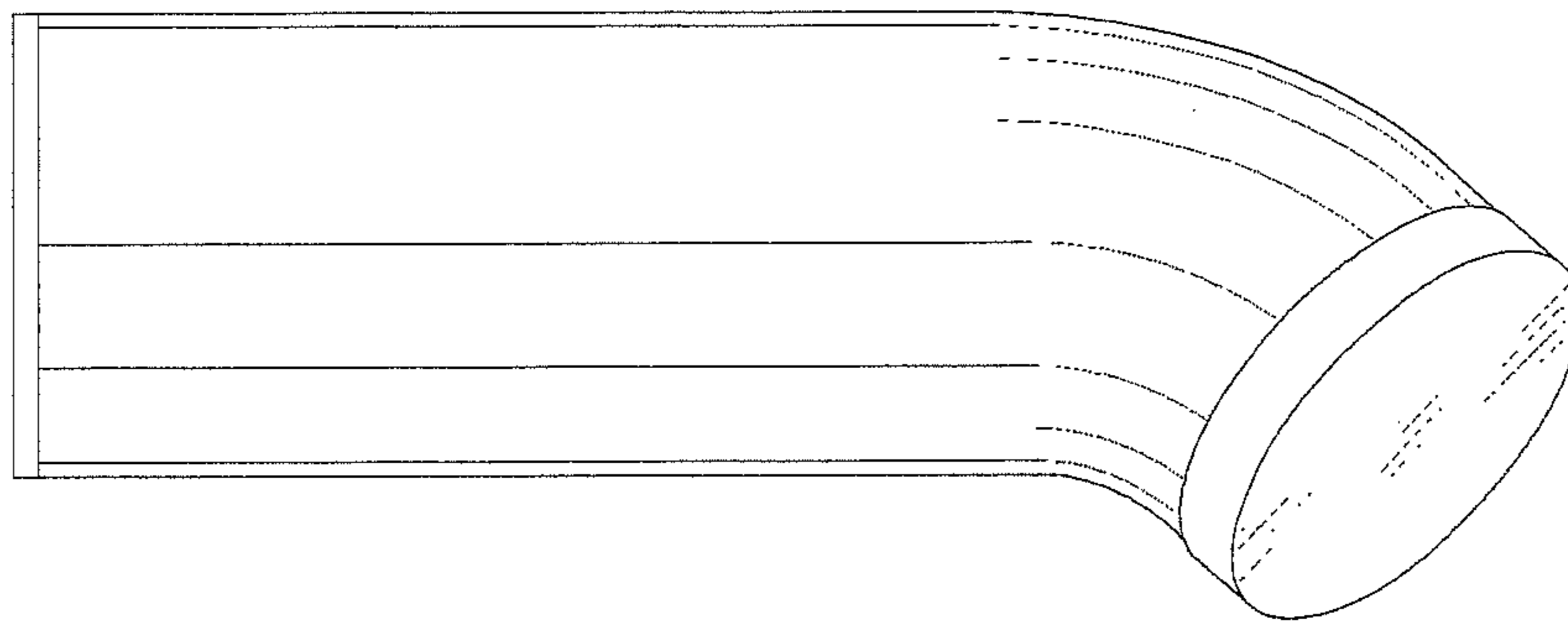


FIG. 7

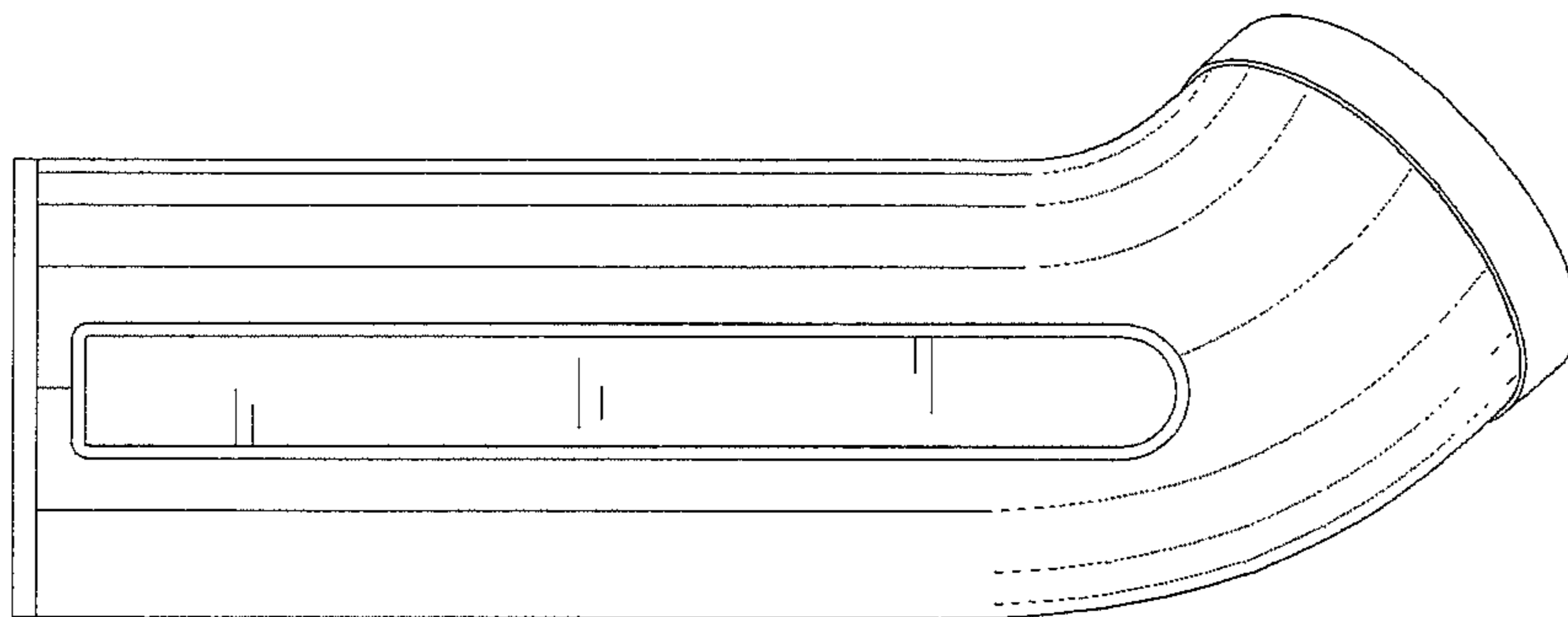




FIG. 8

