



US00D719961S

(12) **United States Design Patent**
Xiang et al.

(10) **Patent No.:** **US D719,961 S**

(45) **Date of Patent:** **** Dec. 23, 2014**

(54) **STAND CONNECTOR FOR TABLET
COMPUTER**

(56) **References Cited**

U.S. PATENT DOCUMENTS

- (71) Applicant: **Loctek Visual Technology Corp.**,
Ningbo (CN)
- (72) Inventors: **Lehong Xiang**, Ningbo (CN); **Qiang
Chen**, Ningbo (CN); **Lijun Wu**, Ningbo
(CN)
- (73) Assignee: **Loctek Visual Technology Corp.** (CN)
- (**) Term: **14 Years**
- (21) Appl. No.: **29/486,713**
- (22) Filed: **Apr. 1, 2014**

D456,351	S	*	4/2002	Yoneda	D13/108
D613,291	S	*	4/2010	Carver	D14/432
D657,795	S	*	4/2012	Smith et al.	D14/447
D682,281	S	*	5/2013	Barnard et al.	D14/447
D686,213	S	*	7/2013	Haymond	D14/432
D688,252	S	*	8/2013	Paul	D14/447
D692,898	S	*	11/2013	Luijben	D14/447
D693,818	S	*	11/2013	Webber	D14/439
D694,228	S	*	11/2013	Richter	D14/253
D696,673	S	*	12/2013	Vogel	D14/447
8,672,374	B1	*	3/2014	Webber	294/25
D709,072	S	*	7/2014	Askew-Harris et al.	D14/447
2012/0068043	A1	*	3/2012	Daigle et al.	248/682
2012/0118770	A1	*	5/2012	Valls et al.	206/320

* cited by examiner

Primary Examiner — Angela J Lee

(74) *Attorney, Agent, or Firm* — Marger Johnson & McCollom, PC

(30) **Foreign Application Priority Data**

Nov. 15, 2013 (CN) 2013 3 0550917

(51) **LOC (10) Cl.** **08-07**

(52) **U.S. Cl.**
USPC **D14/447**

(58) **Field of Classification Search**

USPC D14/447, 432, 434, 439, 440, 451, 452,
D14/239, 251, 253, 217, 374, 375;
D6/406.3, 406.4, 406.5; D3/218;
D12/415; 248/917-924, 445, 447, 451,
248/455, 460, 150, 188.6, 176.1;
361/679.09, 679.21, 679.22, 679.26,
361/679.3, 679.55, 679.56

See application file for complete search history.

(57) **CLAIM**

The ornamental design for a stand connector for tablet computer, as shown and described.

DESCRIPTION

FIG. 1 is a front view of a stand connector for tablet computer; FIG. 2 is a back view thereof; FIG. 3 is a top view thereof; FIG. 4 is a bottom view thereof; FIG. 5 is a left view thereof; FIG. 6 is a right view thereof; and, FIG. 7 is a perspective view thereof.

1 Claim, 7 Drawing Sheets

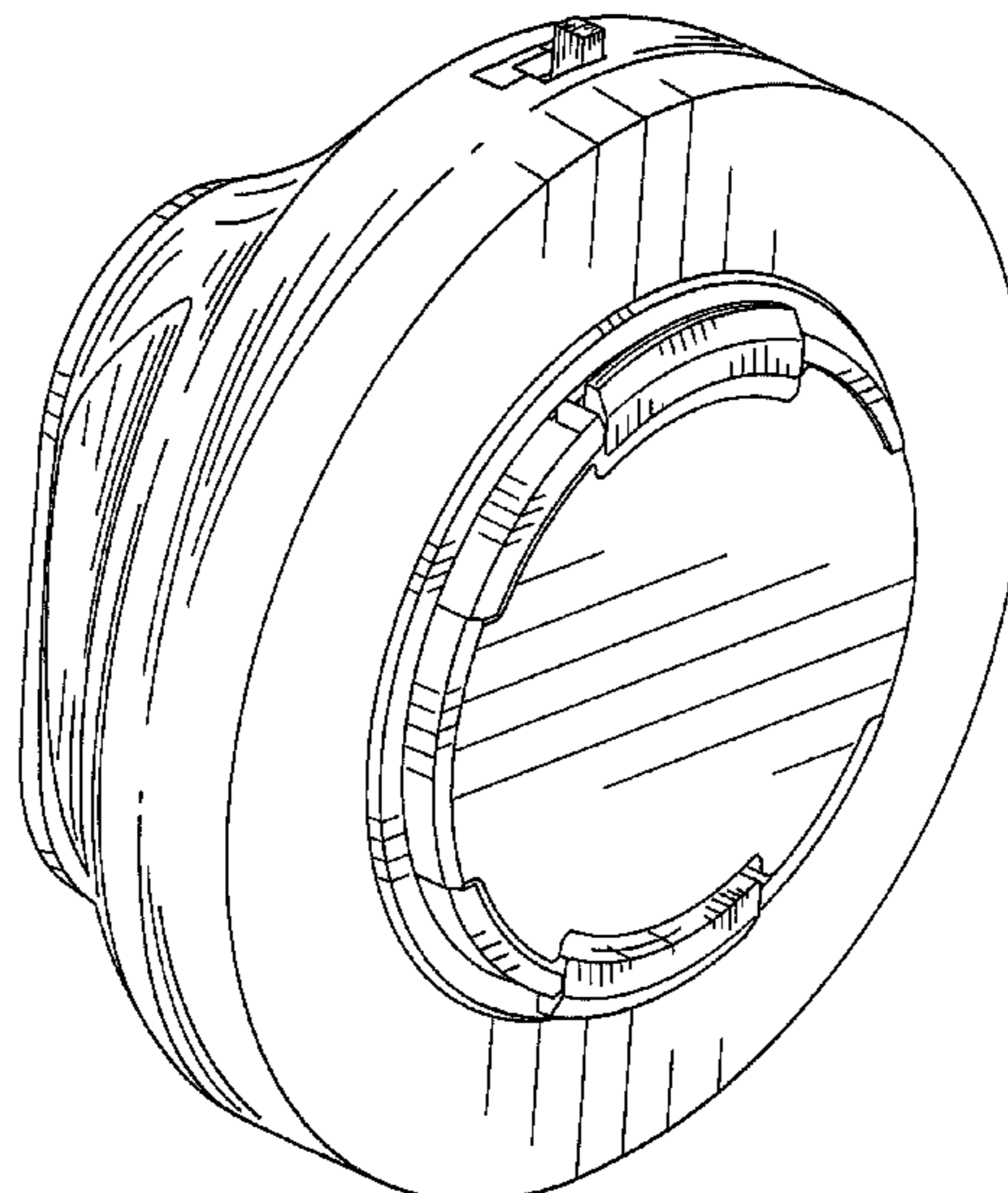


Fig. 1

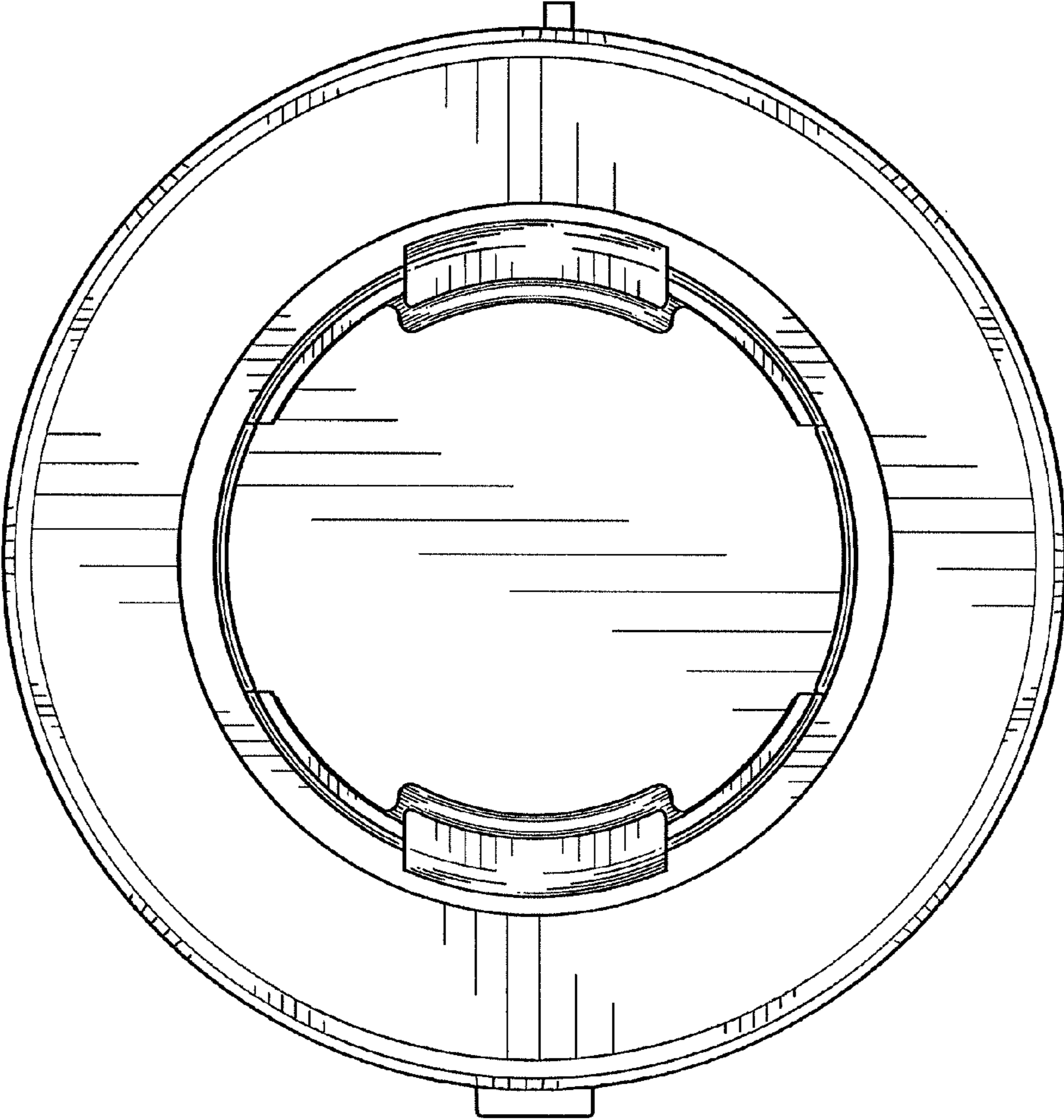


Fig. 2

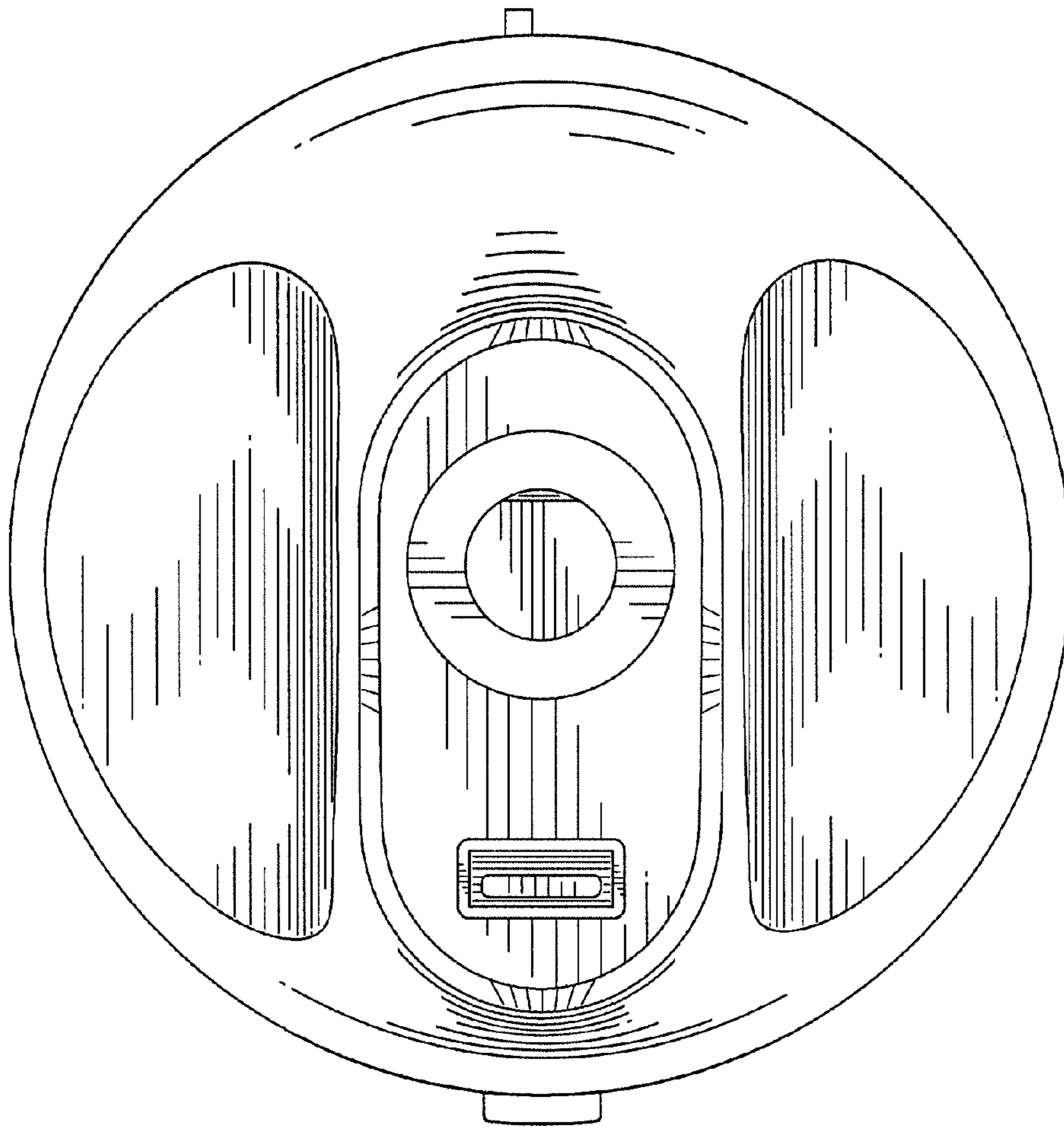


Fig. 3

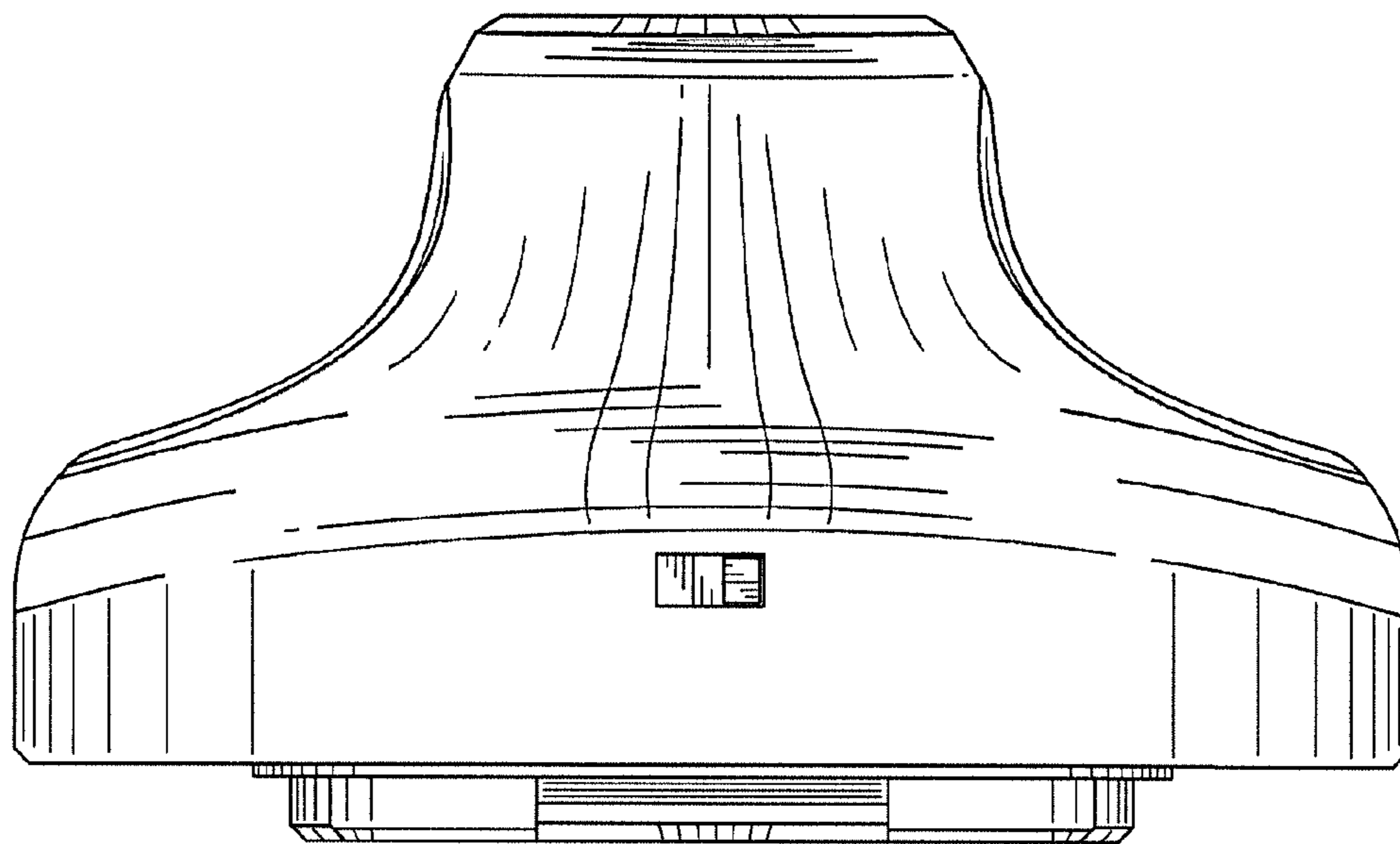


Fig. 4

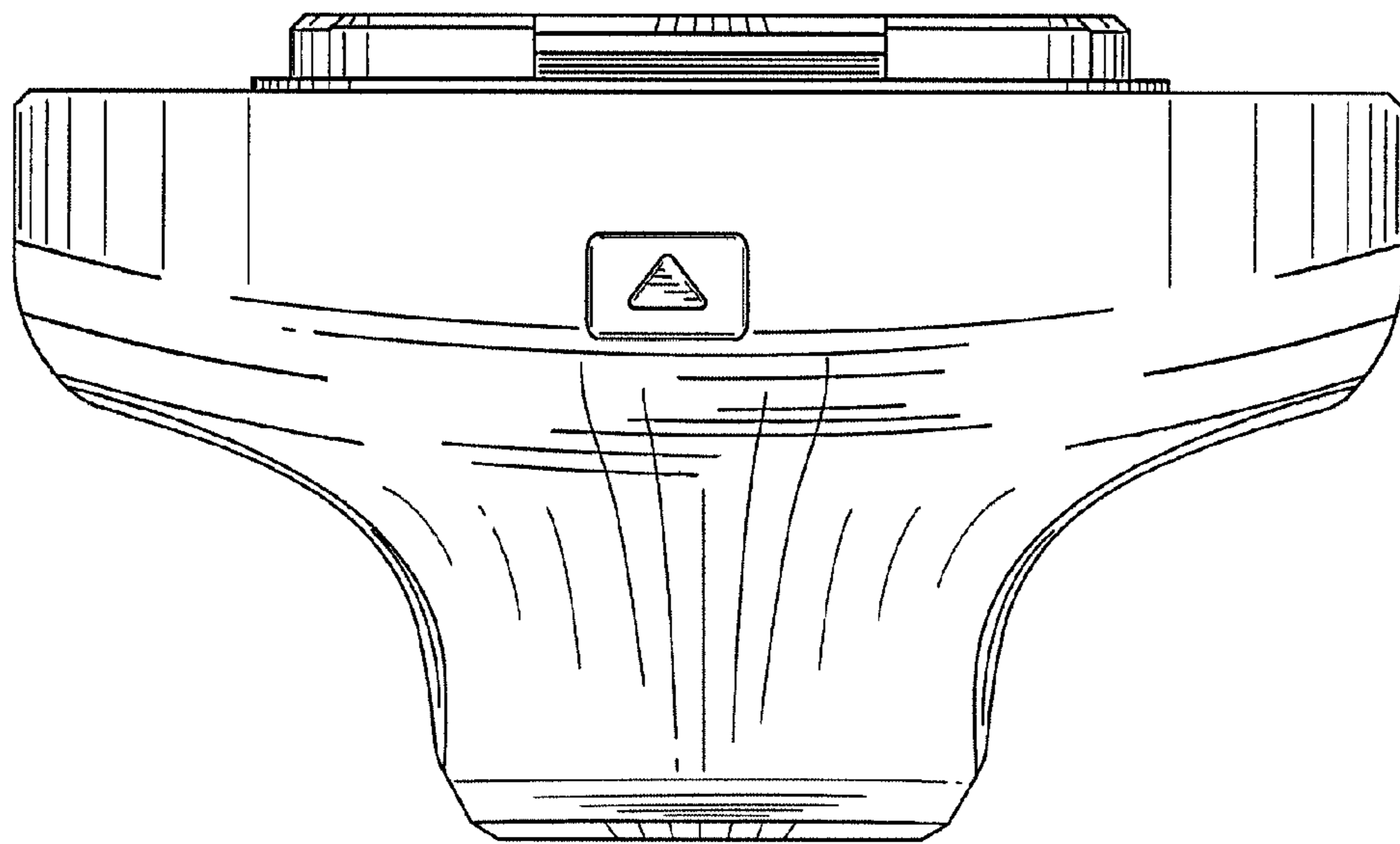


Fig. 5

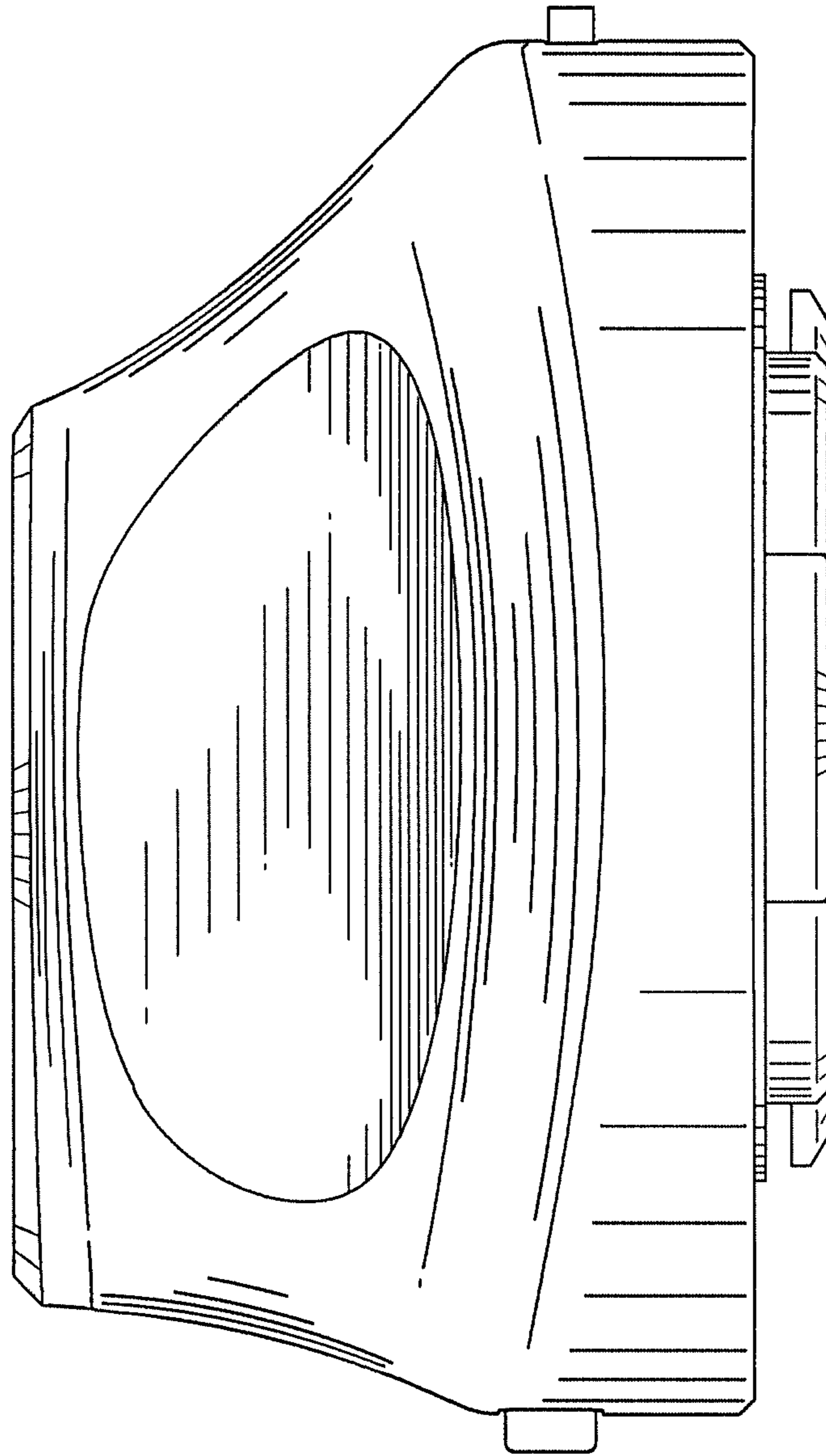


Fig. 6

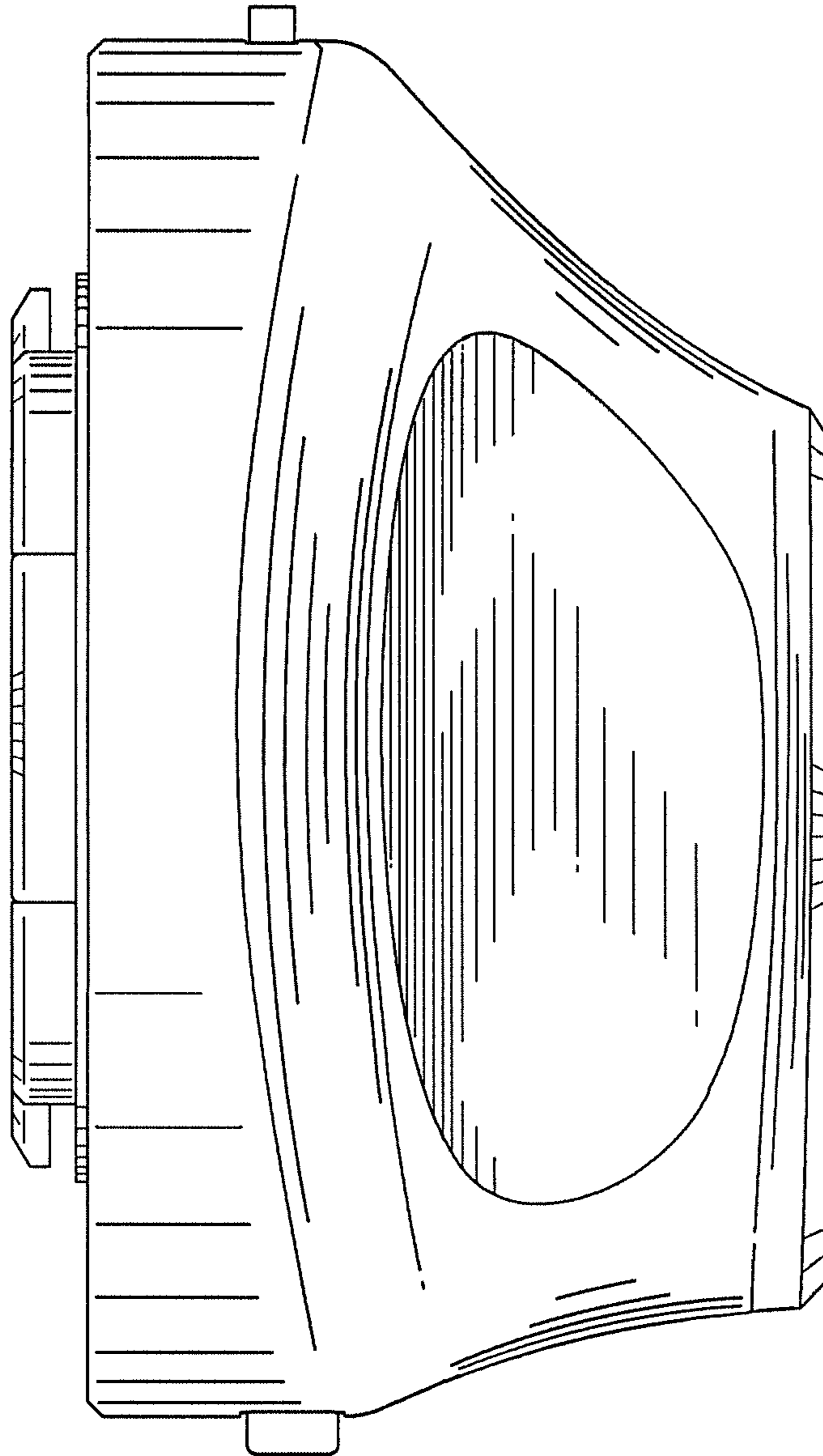


Fig. 7

