



US00D719960S

(12) **United States Design Patent**
Akana et al.

(10) **Patent No.:** **US D719,960 S**

(45) **Date of Patent:** **** Dec. 23, 2014**

(54) **STAND**

(71) Applicant: **Apple Inc.**, Cupertino, CA (US)

(72) Inventors: **Jody Akana**, San Francisco, CA (US);
Bartley K. Andre, Palo Alto, CA (US);
Shota Aoyagi, San Francisco, CA (US);
Jeremy Bataillou, San Francisco, CA (US);
Daniel J. Coster, San Francisco, CA (US);
Daniele De Iuliis, San Francisco, CA (US);
M. Evans Hankey, San Francisco, CA (US);
Julian Hoenig, San Francisco, CA (US);
Richard P. Howarth, San Francisco, CA (US);
Jonathan P. Ive, San Francisco, CA (US);
Duncan Robert Kerr, San Francisco, CA (US);
Shin Nishibori, Kailua, HI (US);
Matthew Dean Rohrbach, San Francisco, CA (US);
Peter Russell-Clarke, San Francisco, CA (US);
Mikael Silvanto, San Francisco, CA (US);
Christopher J. Stringer, Woodside, CA (US);
Eugene Antony Whang, San Francisco, CA (US);
Rico Zörkendörfer, San Francisco, CA (US)

(73) Assignee: **Apple Inc.**, Cupertino, CA (US)

(**) Term: **14 Years**

(21) Appl. No.: **29/473,523**

(22) Filed: **Nov. 22, 2013**

Related U.S. Application Data

(63) Continuation of application No. 29/431,731, filed on Sep. 11, 2012, now Pat. No. Des. 694,249.

(51) **LOC (10) Cl.** **08-07**

(52) **U.S. Cl.**
USPC **D14/447**

(58) **Field of Classification Search**

USPC D14/447, 432, 434, 439, 448, 451, 452, D14/457, 239, 250, 251, 253, 238.1, 440, D14/205, 223, 224, 224.1, 229; D13/108; D6/406.1, 406.2, 406.3, 406.4, 406.5, D6/406.6, 601; 248/917-924, 363, 445,

248/447, 451, 455, 456, 460, 371, 166, 434, 248/188.6; 361/726, 679.02, 679.09, 361/679.21, 679.22, 679.26, 679.27, 361/679.29, 679.3, 679.55, 679.56

See application file for complete search history.

(56) **References Cited**

U.S. PATENT DOCUMENTS

D96,018 S 6/1935 Cannon
5,203,845 A 4/1993 Moore

(Continued)

FOREIGN PATENT DOCUMENTS

GB 2074848 5/1998

OTHER PUBLICATIONS

Ryan Kairer, Palm Touchstone Kit Review, (<http://www.palminfocenter.com/news/9819/palm-touchstone-kit-review>), Jun. 5, 2009.

Primary Examiner — Angela J Lee

(74) *Attorney, Agent, or Firm* — Sterne, Kessler, Goldstein & Fox P.L.L.C.

(57) **CLAIM**

The ornamental design for a stand, as shown and described.

DESCRIPTION

FIG. 1 is a top front perspective view of a stand showing our new design;

FIG. 2 is a top view thereof;

FIG. 3 is a bottom view thereof;

FIG. 4 is a left side view thereof;

FIG. 5 is a right side view thereof;

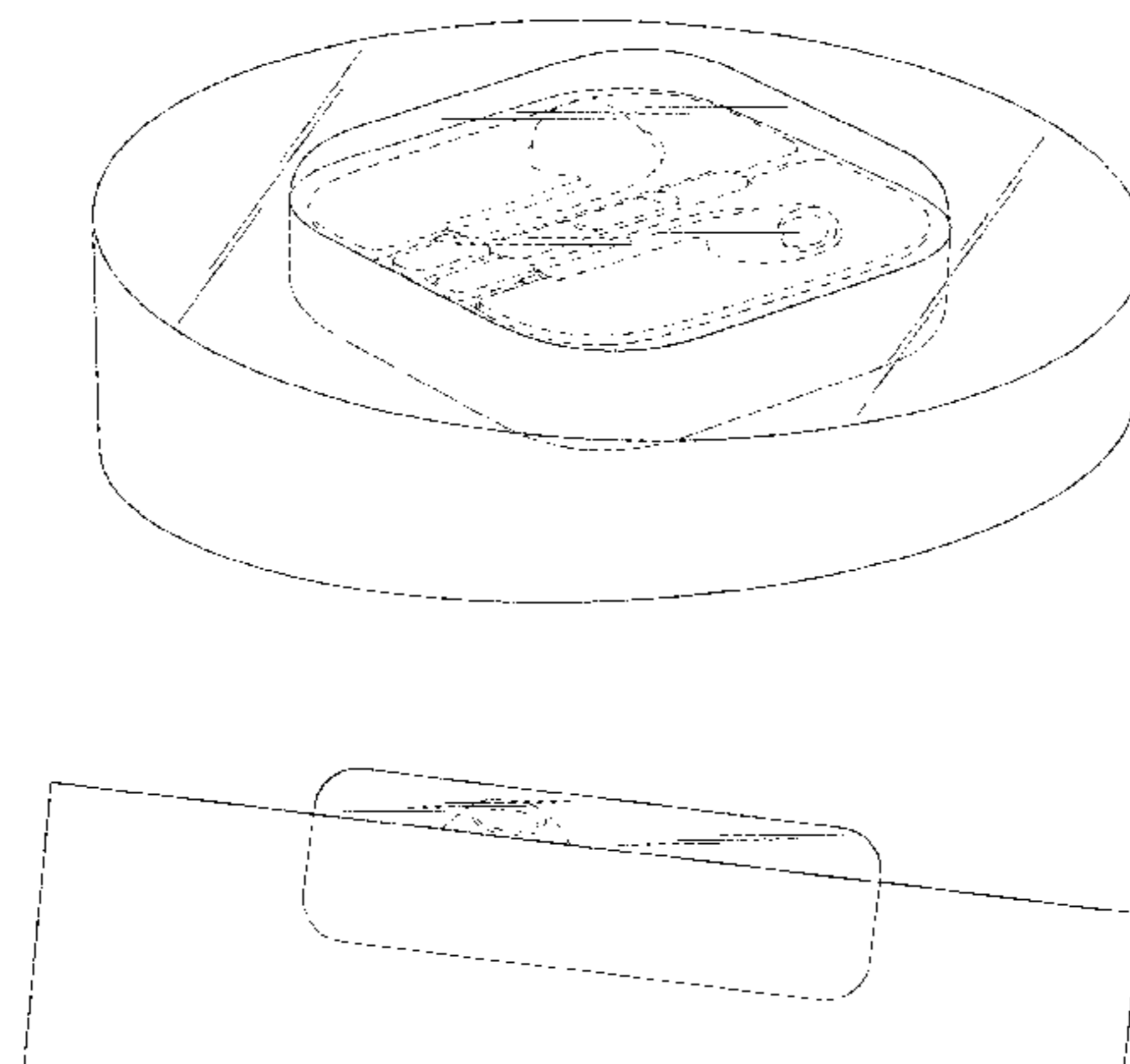
FIG. 6 is a front view thereof; and,

FIG. 7 is a rear view thereof.

The broken lines in the Figures show portions of the stand and environment that form no part of the claimed design.

The shade lines in the Figures show a transparent or translucent surface, and not surface ornamentation.

1 Claim, 5 Drawing Sheets



(56)

References Cited

U.S. PATENT DOCUMENTS

D452,509 S	12/2001	Allsop	
D454,703 S	3/2002	Docing	
D456,692 S *	5/2002	Epstein	D8/356
D474,189 S	5/2003	Andre et al.	
D508,458 S	8/2005	Solland et al.	
D516,025 S	2/2006	Quinn	
D546,280 S *	7/2007	Marchetto et al.	D13/107
D552,597 S	10/2007	Solland	
D553,122 S	10/2007	Solland	
D553,123 S	10/2007	Solland	
D558,193 S	12/2007	Ju	
D558,207 S	12/2007	Ikeda et al.	
D558,208 S	12/2007	Ikeda et al.	
D558,209 S	12/2007	Ikeda et al.	
D562,224 S	2/2008	Bonnaud	
D566,697 S	4/2008	Nielsen et al.	
D574,769 S	8/2008	Fisher et al.	
D585,898 S	2/2009	Skurdal	
D596,561 S	7/2009	Chon et al.	
D601,884 S *	10/2009	Andre et al.	D9/430
D607,458 S	1/2010	Hui et al.	
D620,781 S *	8/2010	Weckworth	D8/356
D620,884 S	8/2010	Lee et al.	
D628,203 S	11/2010	Noble	
D629,806 S	12/2010	Ho et al.	
D640,976 S	7/2011	Matsuoka	
D643,844 S	8/2011	Akana et al.	
D645,047 S	9/2011	Wike	
D645,818 S	9/2011	Guccione et al.	
D659,530 S *	5/2012	Akana et al.	D9/424
D659,696 S	5/2012	Lanza	
8,167,102 B2 *	5/2012	Skillman	191/12.2 R
D662,505 S	6/2012	Mori	
D662,939 S	7/2012	Akana et al.	
D666,204 S	8/2012	Han	
D671,546 S	11/2012	Eberstein et al.	
D672,660 S *	12/2012	Vural	D9/721
D685,771 S	7/2013	Bertenthal	
D688,252 S	8/2013	Paul	
D692,293 S *	10/2013	Toscani et al.	D8/356
D693,353 S *	11/2013	Shu et al.	D14/447
D706,643 S *	6/2014	Akana et al.	D9/721
D712,279 S *	9/2014	Akana et al.	D9/721
D713,738 S *	9/2014	Akana et al.	D9/721
2013/0168486 A1 *	7/2013	Abfall et al.	242/588.3

* cited by examiner

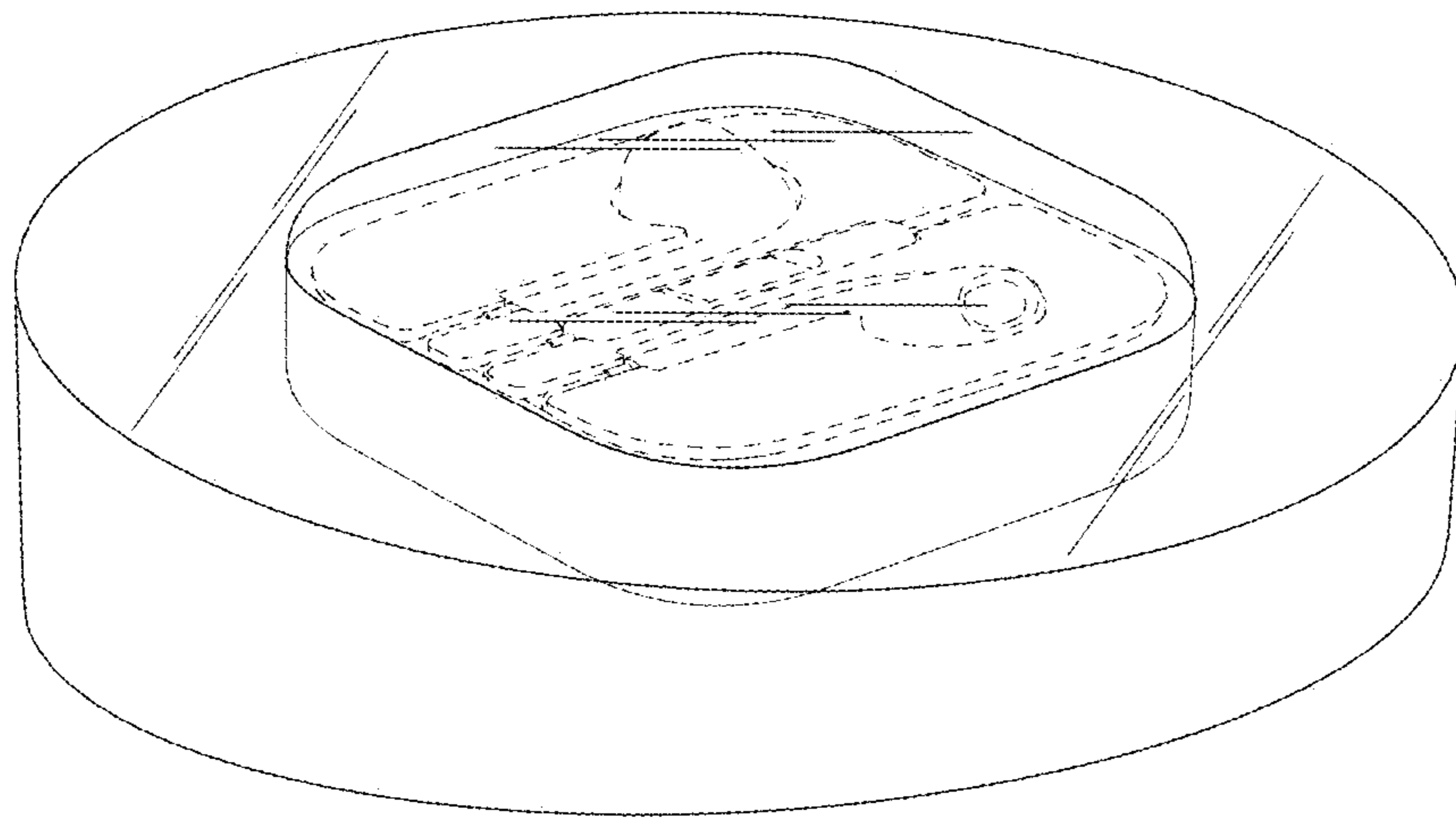


FIG. 1

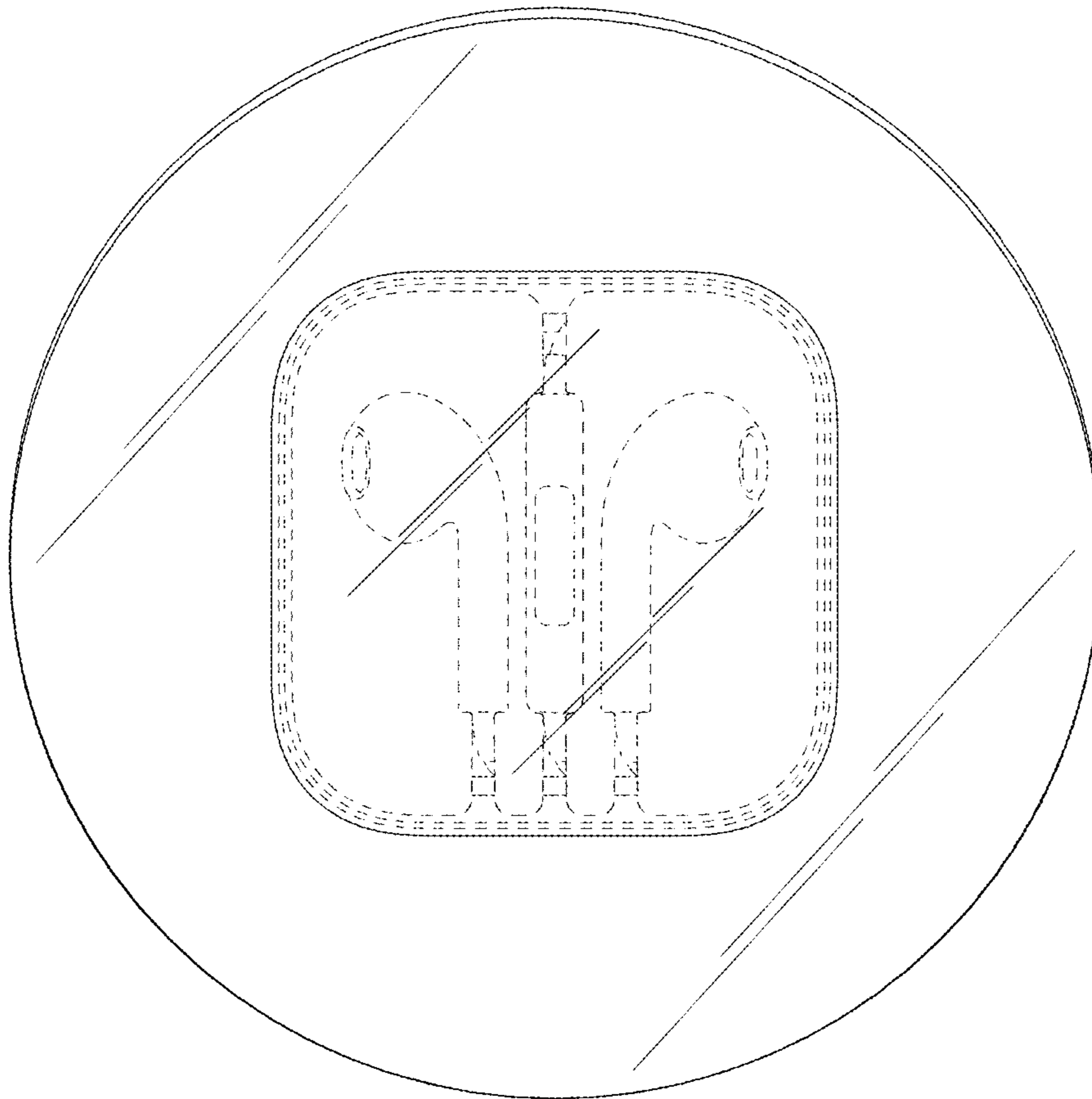


FIG. 2

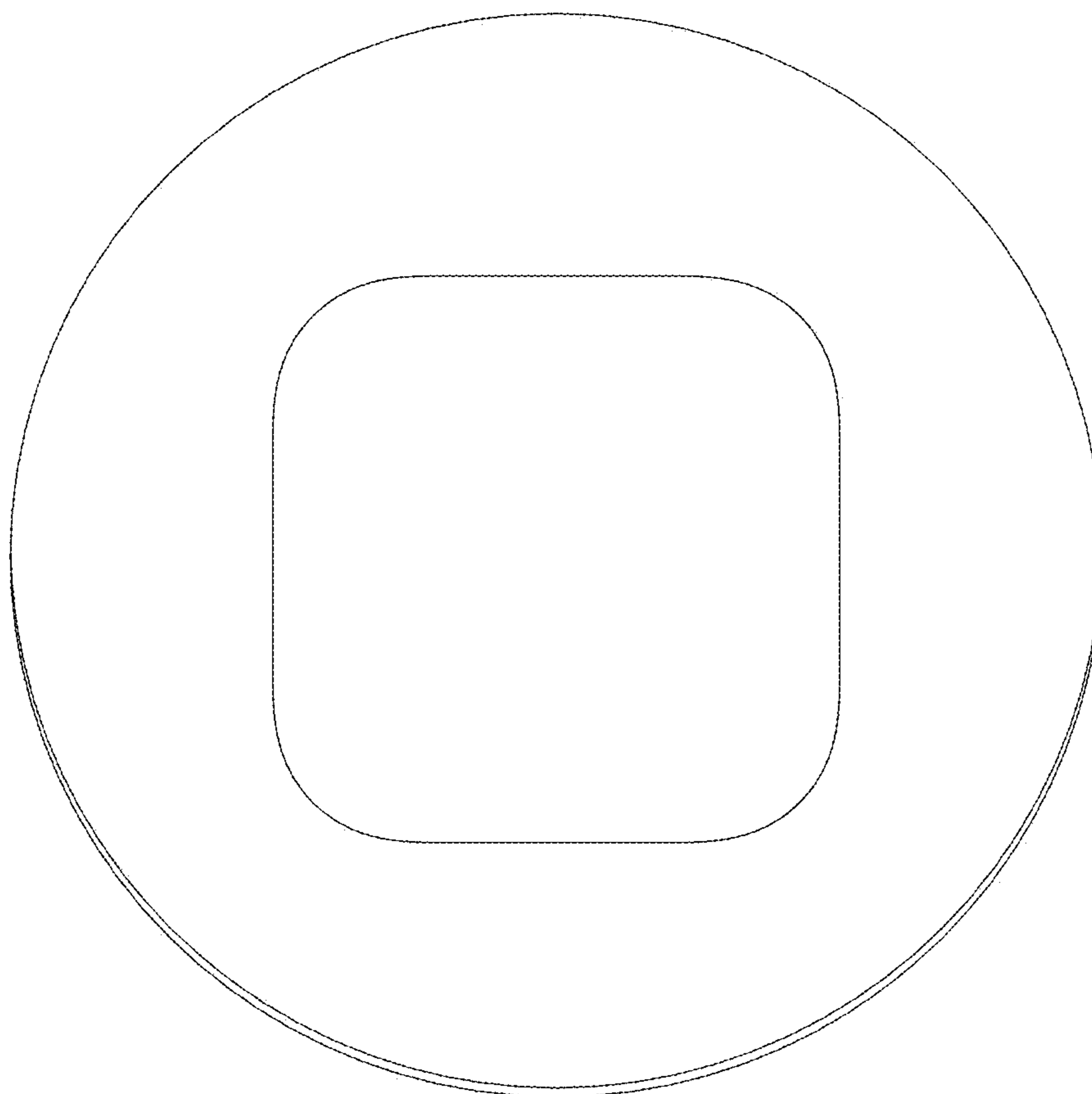


FIG. 3

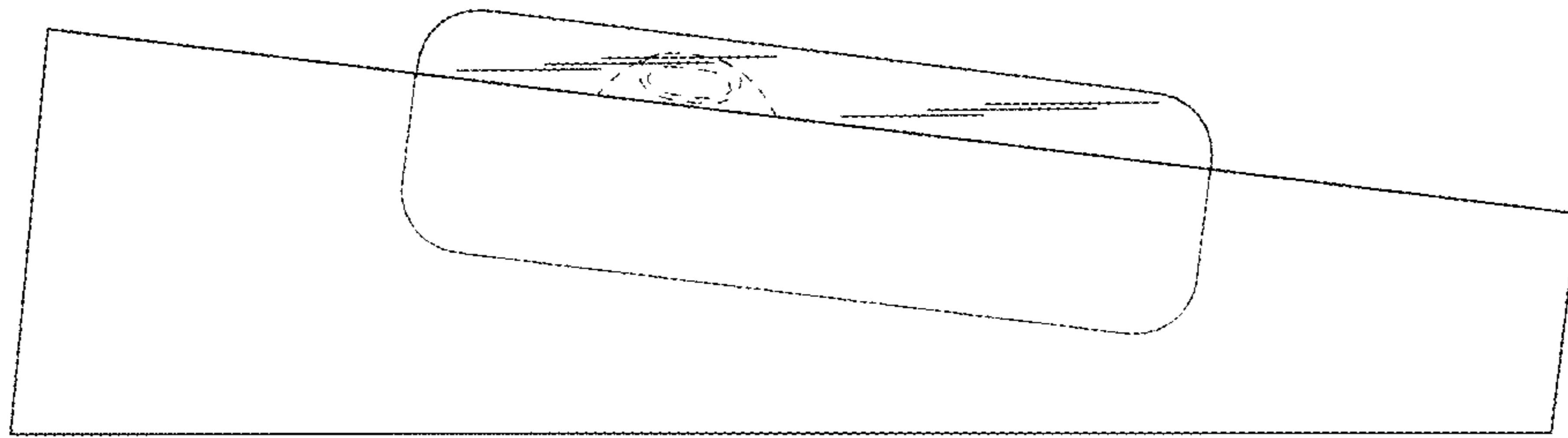


FIG. 4

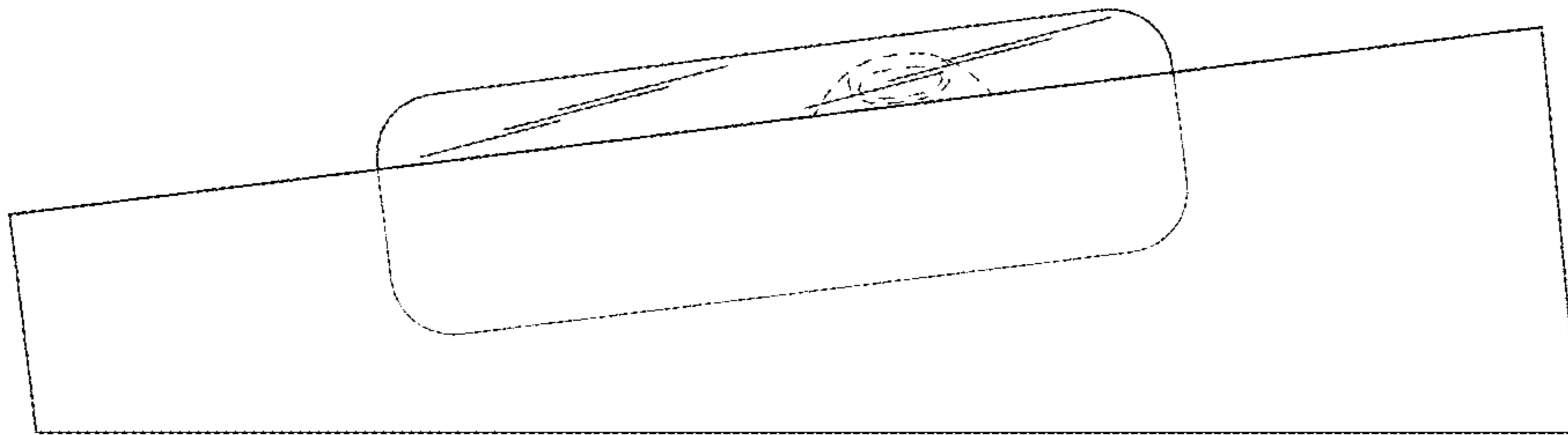


FIG. 5

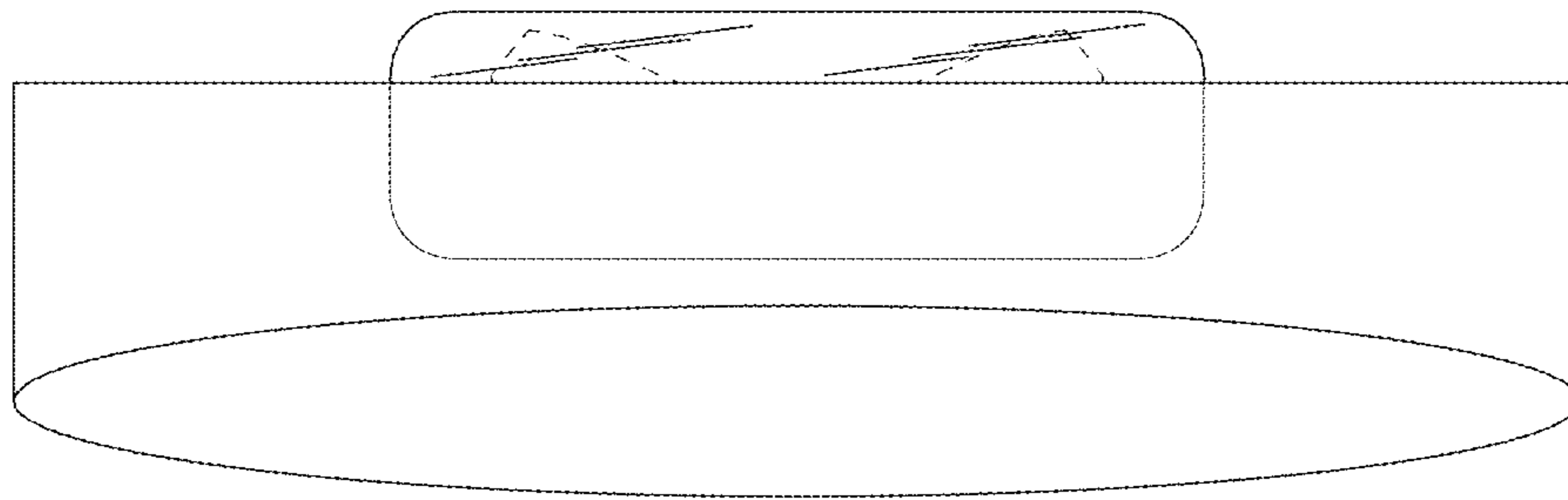


FIG. 6

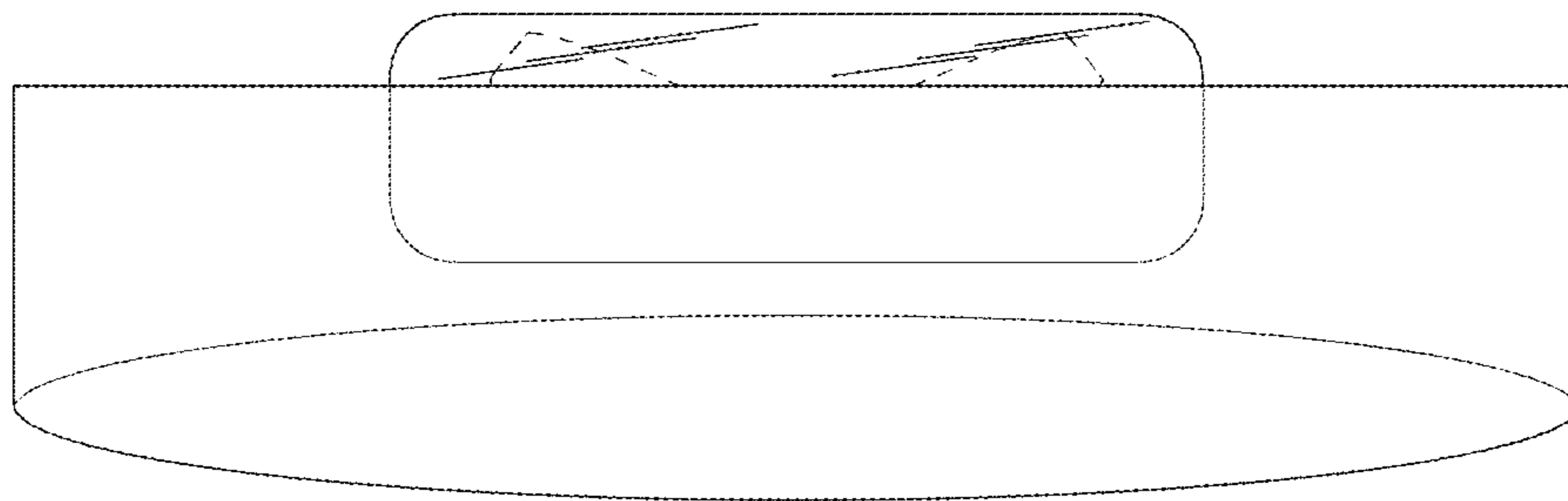


FIG. 7