



US00D719959S

(12) **United States Design Patent**
Vogel

(10) **Patent No.:** **US D719,959 S**
(45) **Date of Patent:** **** Dec. 23, 2014**

- (54) **LARGE SOCKET**
- (71) Applicant: **Nite Ize, Inc.**, Boulder, CO (US)
- (72) Inventor: **Frank Vogel**, Boulder, CO (US)
- (73) Assignee: **Nite Ize, Inc.**, Boulder, CO (US)
- (**) Term: **14 Years**
- (21) Appl. No.: **29/443,173**
- (22) Filed: **Jan. 14, 2013**

Related U.S. Application Data

- (63) Continuation-in-part of application No. 13/485,894, filed on May 31, 2012, now Pat. No. 8,602,376.
- (51) **LOC (10) Cl.** **08-07**
- (52) **U.S. Cl.**
USPC **D14/447**
- (58) **Field of Classification Search**
USPC D14/447, 432, 434, 439, 440, 451, 452, D14/457, 460, 461, 238.1, 250, 251, 253; D3/218; D6/406.3, 406.4, 406.5, D6/406.6; 248/444, 441.1, 188.6, 248/917-924; 361/679.02, 679.03, 679.04, 361/679.09, 679.21, 679.26, 679.27, 679.3, 361/679.55, 679.56
See application file for complete search history.

(56) **References Cited**

U.S. PATENT DOCUMENTS

687,183	A	11/1901	Kolander
2,332,504	A	10/1943	Brenner
3,695,651	A	10/1972	Stuck
4,016,583	A	4/1977	Yeates
5,575,597	A	11/1996	Bailey et al.
5,681,981	A	10/1997	McMurtry
5,769,369	A	6/1998	Meinel

6,209,830	B1	4/2001	Brotz	
6,350,076	B1	2/2002	Wagner et al.	
6,352,228	B1	3/2002	Buerklin	
6,585,201	B1	7/2003	Reed	
6,729,778	B1	5/2004	Wu et al.	
D531,180	S *	10/2006	Goto	D14/432
7,163,181	B2	1/2007	Omps	
7,246,781	B2	7/2007	Nam	
D549,091	S *	8/2007	McIntyre et al.	D8/399
D554,974	S *	11/2007	Huang	D8/352
7,475,858	B2	1/2009	Kalis et al.	
7,621,492	B2	11/2009	Omps	
7,686,287	B2	3/2010	Dixon et al.	
D625,262	S *	10/2010	Lee et al.	D13/118
7,886,903	B1	2/2011	Wurzelbacher, Jr. et al.	
D654,348	S *	2/2012	Musselman	D8/349
D657,795	S *	4/2012	Smith et al.	D14/447
D660,691	S *	5/2012	Yamazaki	D8/399
8,176,927	B2	5/2012	Wu	

(Continued)

OTHER PUBLICATIONS

In the US Patent and Trademark Office U.S. Appl. No. 13/485,894 Non-Final Office Action dated May 9, 2013, 8 pages.

Primary Examiner — Angela J Lee

(74) *Attorney, Agent, or Firm* — Squire Patton Boggs (US) LLP

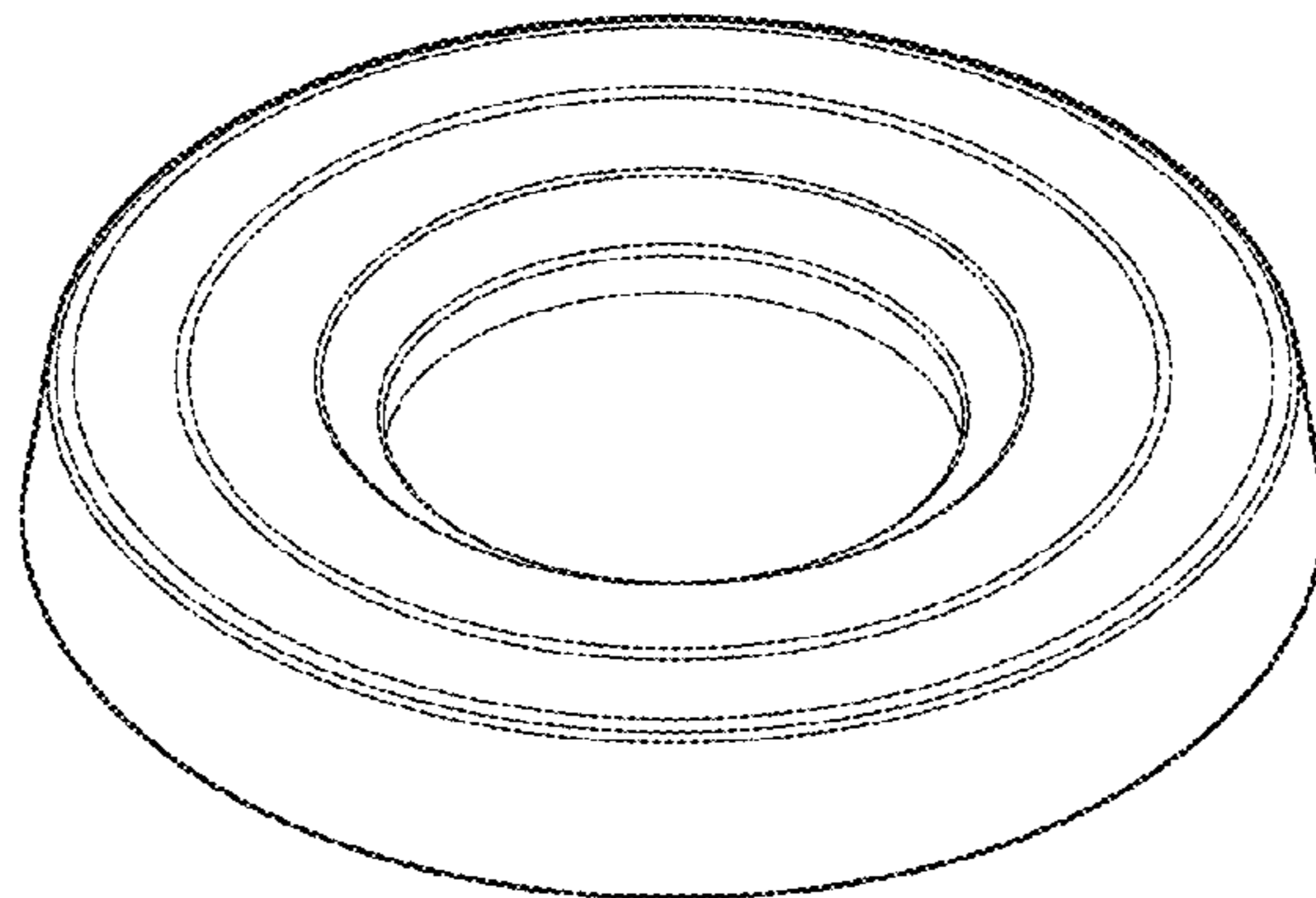
(57) **CLAIM**

The ornamental design for a large socket, as shown and described.

DESCRIPTION

FIG. 1 is a front view of a large socket (the front, left, right, and rear views are mirror images); FIG. 2 is a bottom view of the large socket of FIG. 1; FIG. 3 is a top view of the large socket of FIG. 1; and, FIG. 4 is a top perspective view of the large socket of FIG. 1

1 Claim, 2 Drawing Sheets



(56)

References Cited

U.S. PATENT DOCUMENTS

D666,205 S *	8/2012	Li et al.	D14/452	D696,673 S *	12/2013	Vogel	D14/447
8,267,361 B1	9/2012	Dordick		D696,674 S *	12/2013	Vogel	D14/447
D670,704 S *	11/2012	Barker	D14/447	8,602,376 B2 *	12/2013	Vogel et al.	248/371
D671,546 S *	11/2012	Eberstein et al.	D14/447	D701,831 S *	4/2014	Park et al.	D13/108
8,366,064 B2	2/2013	Chen et al.		8,800,942 B2 *	8/2014	Yu	248/122.1
D682,281 S *	5/2013	Barnard et al.	D14/447	2002/0096956 A1	7/2002	Erten	
D684,158 S *	6/2013	Derry et al.	D14/452	2004/0188576 A1	9/2004	Carnevali	
D688,252 S *	8/2013	Paul	D14/447	2006/0000957 A1	1/2006	Carnevali	
D692,898 S *	11/2013	Luijben	D14/447	2006/0171794 A1 *	8/2006	Ordonio et al.	411/369
D692,900 S *	11/2013	Kovacs	D14/447	2007/0090241 A1	4/2007	Risse	
D693,352 S *	11/2013	Gelsomini et al.	D14/447	2008/0310932 A1 *	12/2008	McIntyre et al.	411/150
D694,249 S *	11/2013	Akana et al.	D14/447	2009/0238637 A1	9/2009	Spratte et al.	
				2012/0118770 A1	5/2012	Valls et al.	
				2012/0175474 A1	7/2012	Barnard et al.	
				2013/0140837 A1 *	6/2013	Carroll	294/142

* cited by examiner



FIG. 1

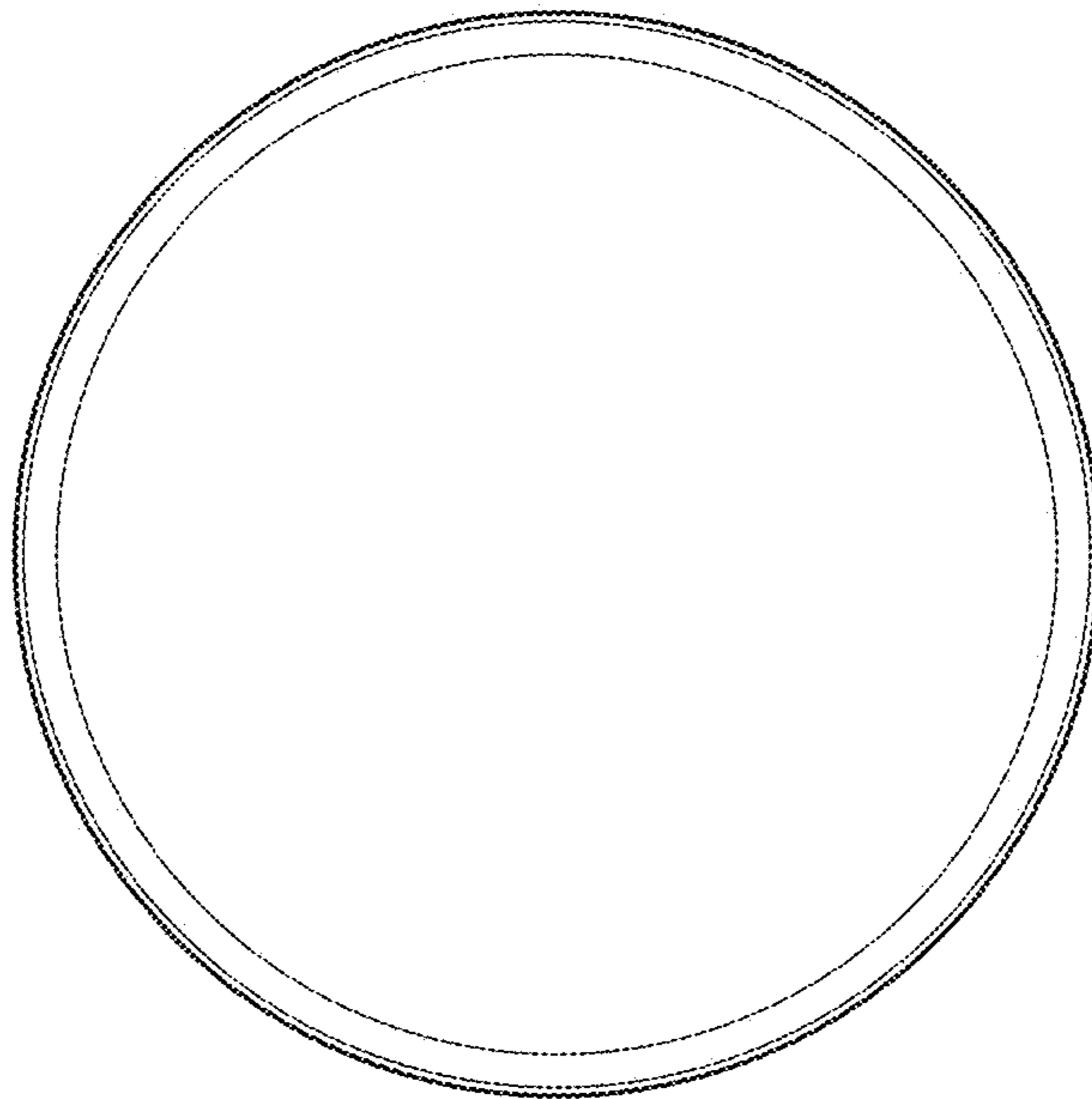


FIG. 2

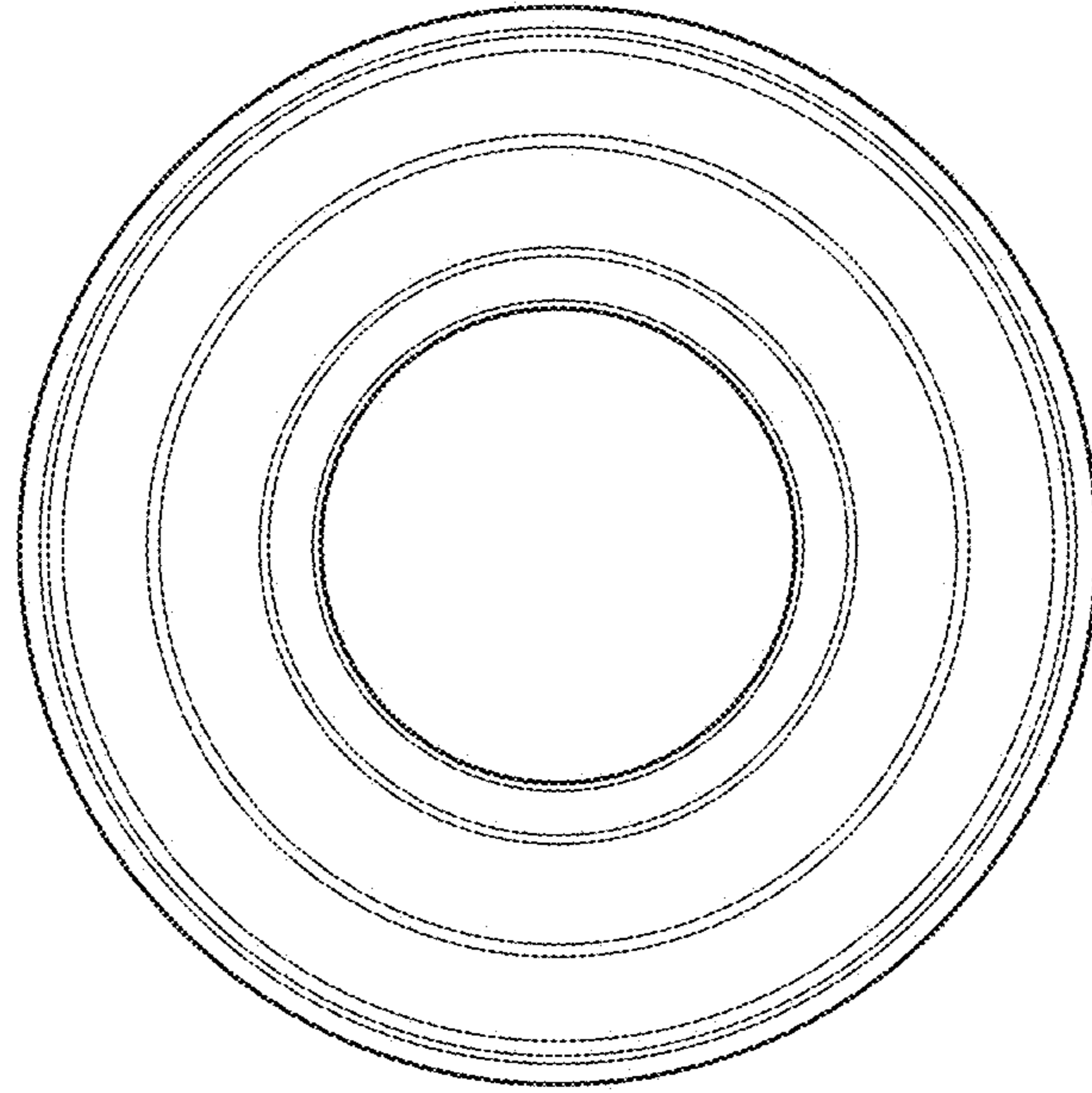


FIG. 3

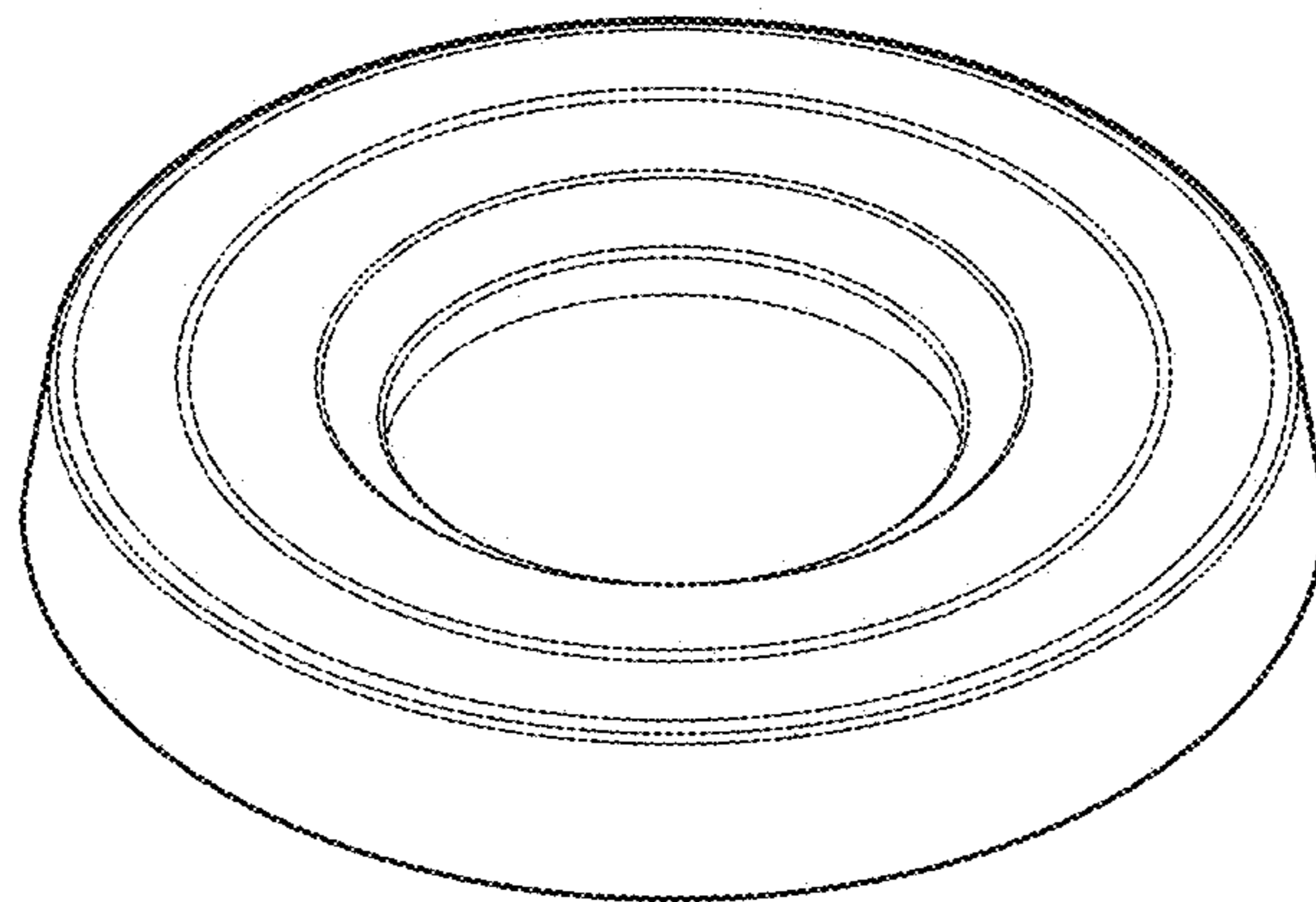


FIG. 4