



US00D719958S

(12) **United States Design Patent**
Dallmeyer et al.

(10) **Patent No.:** **US D719,958 S**
(45) **Date of Patent:** **** Dec. 23, 2014**

(54) **PANEL FOR ELECTRONIC HOUSING**
(71) Applicant: **Microsoft Corporation**, Redmond, WA (US)
(72) Inventors: **Scott Dallmeyer**, Seattle, WA (US);
Carl J. Ledbetter, Mercer Island, WA (US); **Joel B. Jacobs**, Seattle, WA (US);
Audrey C. Louchart, Seattle, WA (US);
Saro Nalbandian, Redmond, WA (US)

D537,447 S * 2/2007 Ayala et al. D14/441
D543,954 S 6/2007 Hayes et al.
D543,955 S 6/2007 Hayes et al.
D543,956 S 6/2007 Hayes et al.
D568,276 S 5/2008 Ikeda et al.
D589,047 S * 3/2009 Kawase et al. D14/441
D647,918 S 11/2011 Ledbetter et al.
D650,786 S * 12/2011 Terwilliger et al. D14/443
D657,788 S 4/2012 Ledbetter et al.
D665,424 S 8/2012 Ledbetter et al.

(73) Assignee: **Microsoft Corporation**, Redmond, WA (US)

Nintendo NES [online], [retrieved on May 14, 2013]. Retrieved from internet, <http://gamesdbase.com/system-nintendo_nes.aspx/>.

(**) Term: **14 Years**

* cited by examiner

(21) Appl. No.: **29/449,177**

Primary Examiner — Freda S Nunn

(22) Filed: **Mar. 14, 2013**

(74) *Attorney, Agent, or Firm* — Banner & Witcoff, Ltd.

(51) **LOC (10) Cl.** **14-02**

(52) **U.S. Cl.**
USPC **D14/441**

(58) **Field of Classification Search**
USPC D13/184, 199; D14/300, 301, 302, 308,
D14/314, 348, 349, 350, 351, 352, 353, 354,
D14/355, 356, 357, 358, 359, 432, 439,
D14/441-446; 312/223.1, 223.2, 223.3;
360/99.01-99.12; 361/724, 600,
361/679.31-679.39; 369/34.01, 36.01;
D21/332

See application file for complete search history.

(56) **References Cited**

U.S. PATENT DOCUMENTS

D417,865 S * 12/1999 Wilson et al. D14/441
D452,282 S 12/2001 Stewart et al.
D515,095 S * 2/2006 Breitbarth et al. D14/441

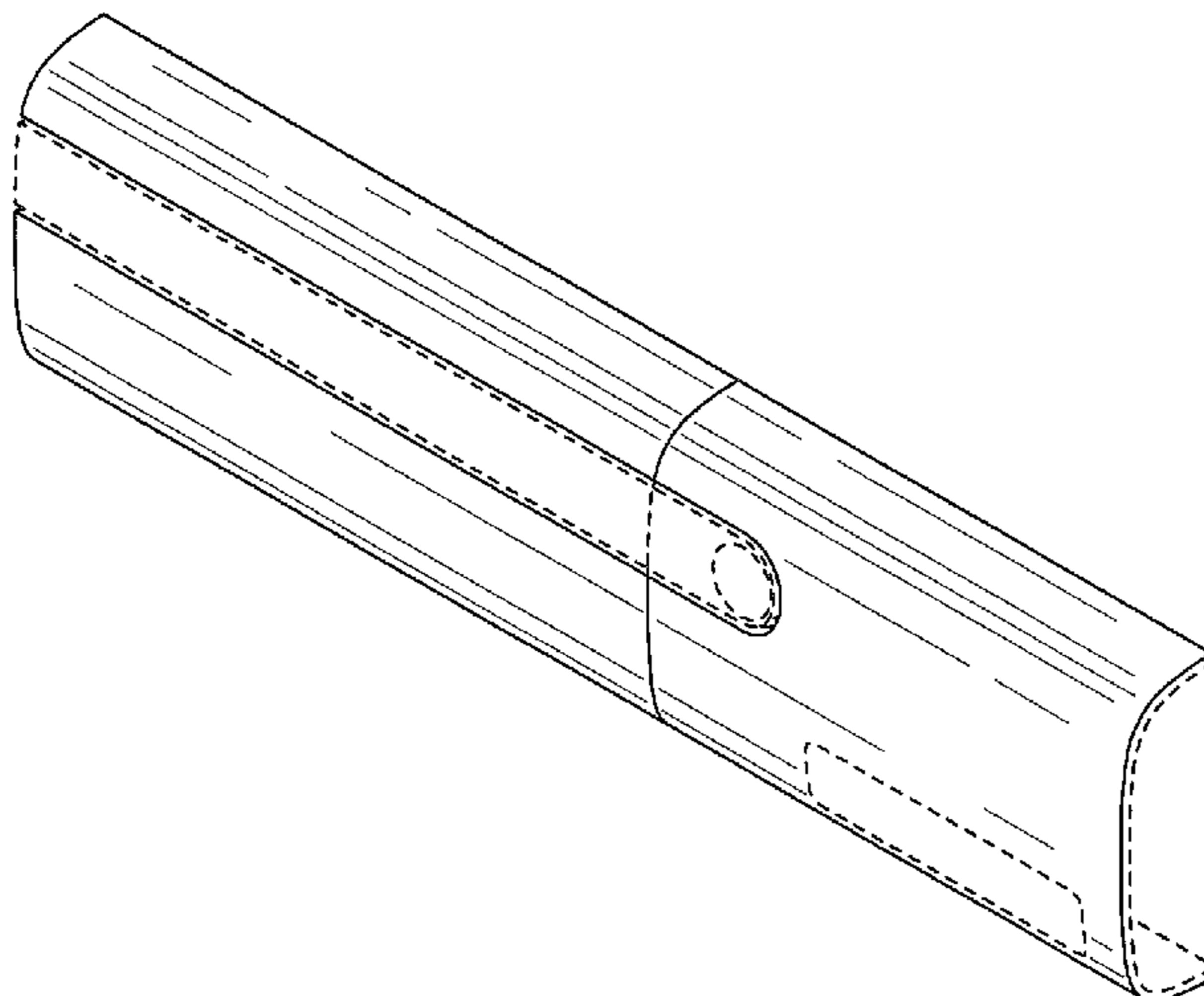
OTHER PUBLICATIONS

(57) **CLAIM**
The ornamental design for a panel for electronic housing, as shown and described.

DESCRIPTION

FIG. 1 is a front-left perspective view of a panel for electronic housing showing our new design;
FIG. 2 is a front view thereof;
FIG. 3 is a rear view thereof;
FIG. 4 is a right side view thereof;
FIG. 5 is a left side view thereof;
FIG. 6 is a top view thereof; and,
FIG. 7 is a bottom view thereof.
The broken lines are shown for environmental purposes only and form no part of the claimed design.

1 Claim, 3 Drawing Sheets



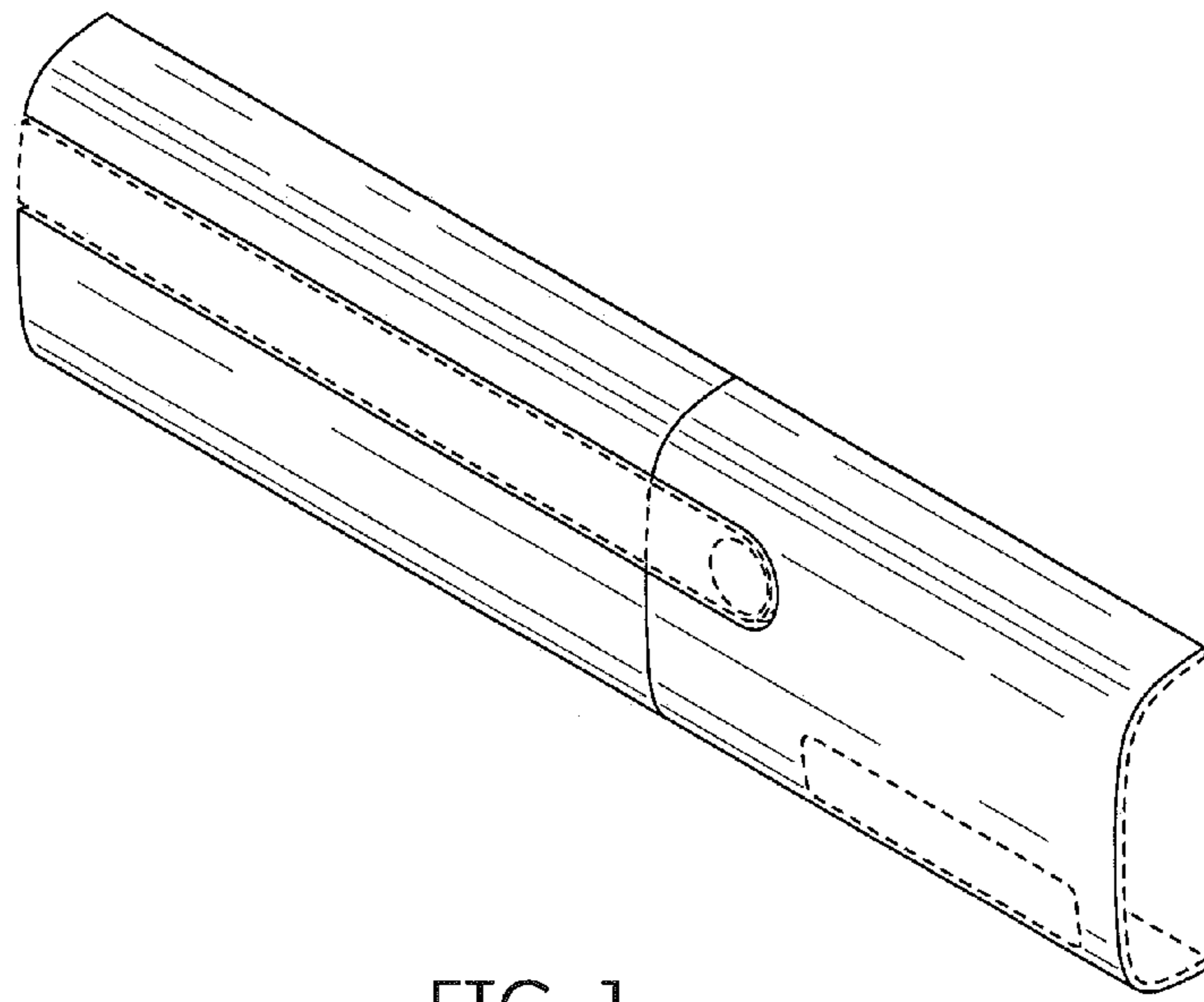


FIG. 1

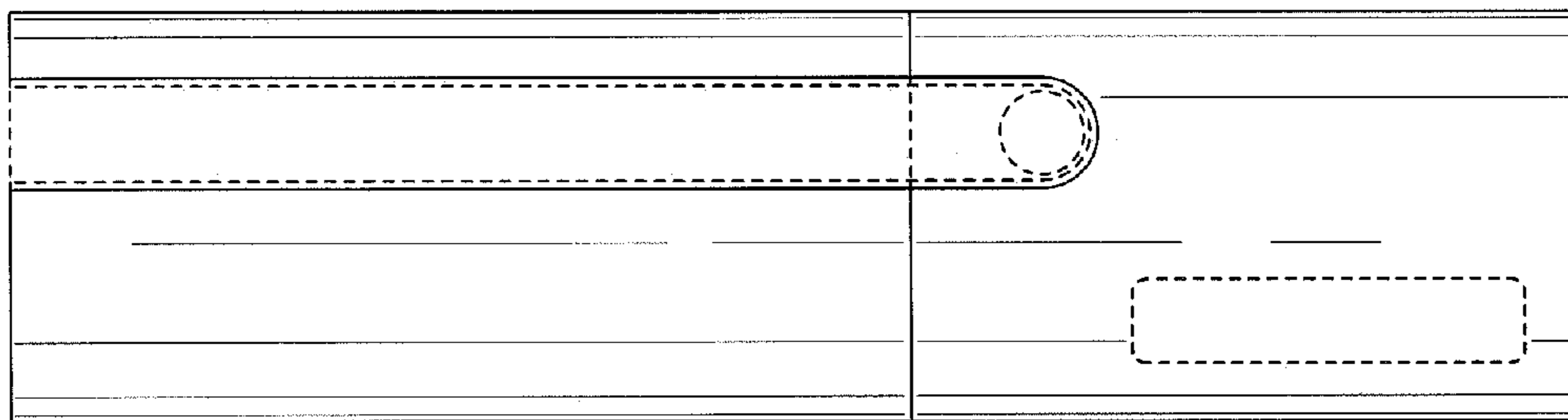


FIG. 2

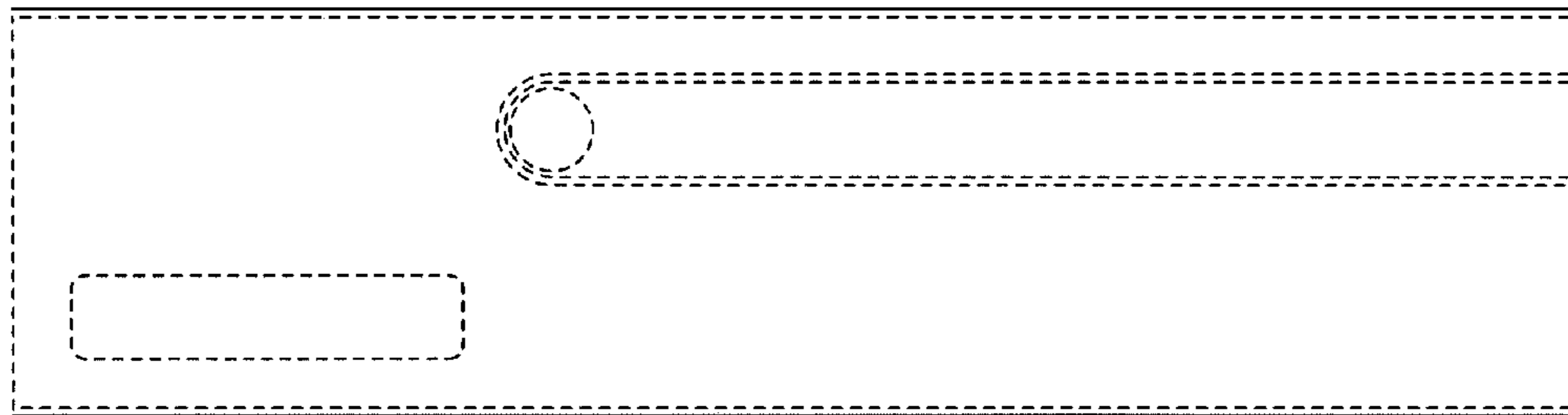


FIG. 3

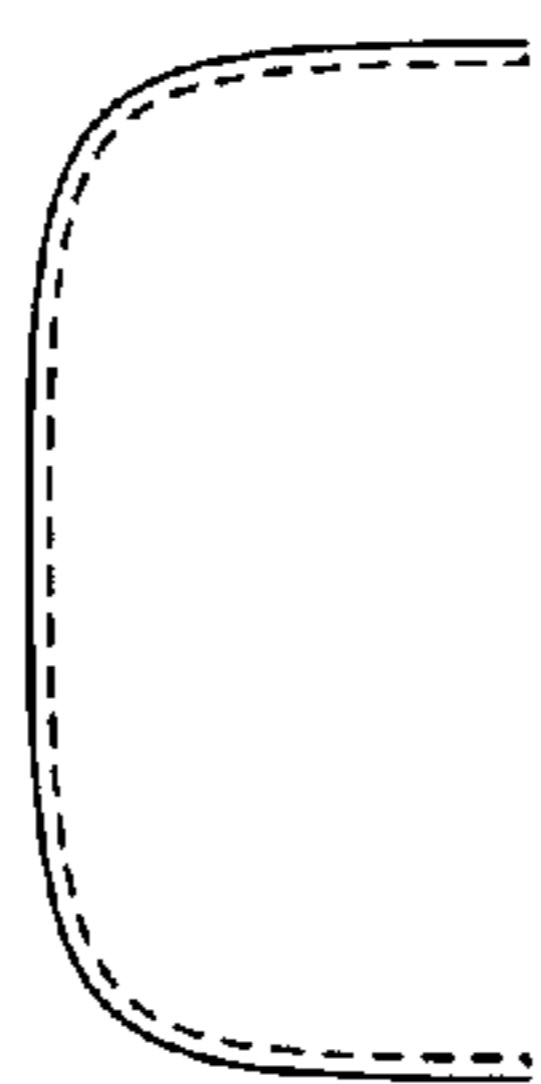


FIG. 4

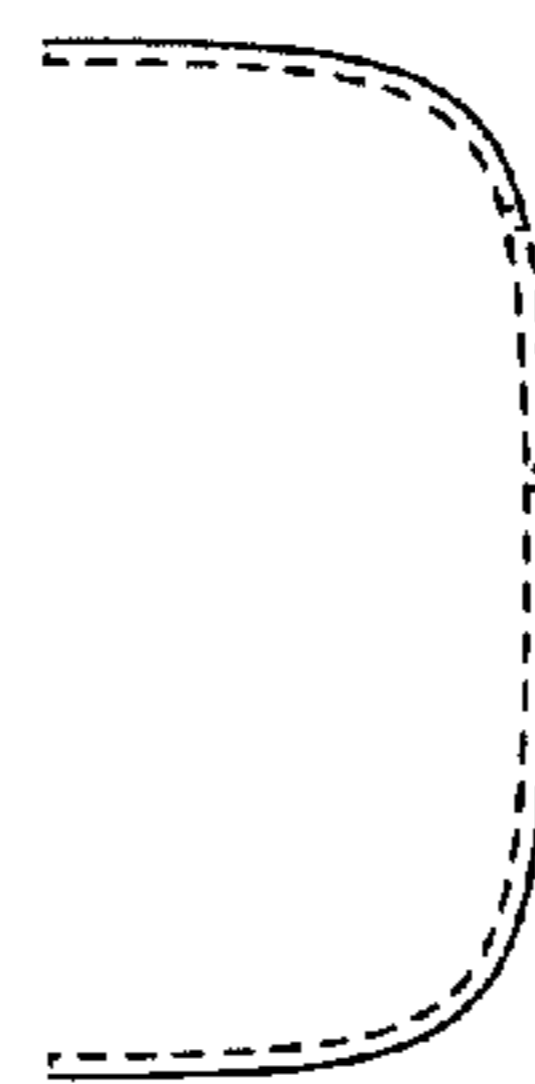


FIG. 5

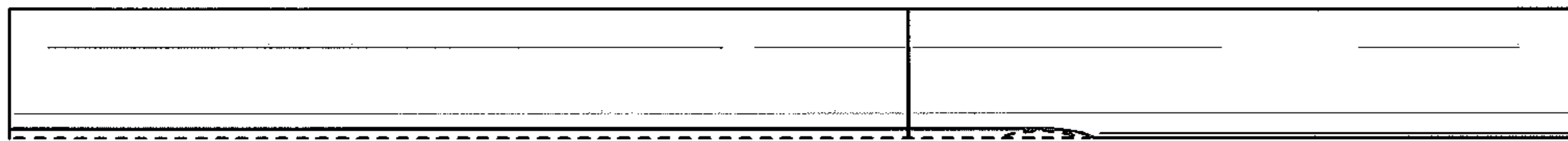


FIG. 6

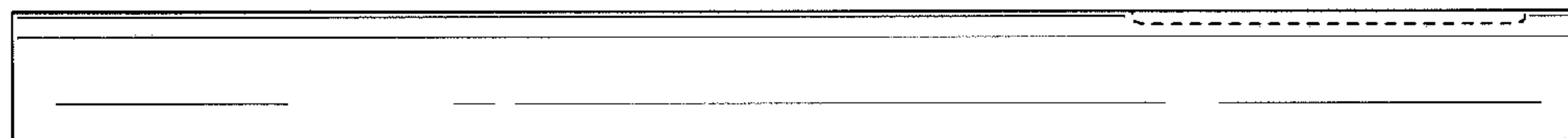


FIG. 7