

US00D719955S

(12) **United States Design Patent**
Hsu

(10) **Patent No.:** **US D719,955 S**
(45) **Date of Patent:** **** Dec. 23, 2014**

- (54) **HANDHELD WIRELESS READER**
- (71) Applicant: **Getac Technology Corporation**,
Hsinchu County (TW)
- (72) Inventor: **Wei-Chih Hsu**, Taipei (TW)
- (73) Assignee: **Getac Technology Corporation**,
Hsinchu County (TW)
- (**) Term: **14 Years**
- (21) Appl. No.: **29/450,892**
- (22) Filed: **Mar. 25, 2013**
- (51) **LOC (10) Cl.** **14-02**
- (52) **U.S. Cl.**
USPC **D14/428**; D14/453
- (58) **Field of Classification Search**
USPC D14/420, 426–430, 453, 346, 341, 347,
D14/412; D13/107, 184; 358/473;
235/462.43, 462.45, 462.47, 462.48,
235/462.44, 462.46, 487, 472.01, 472.02;
16/110.1, 430, 431; 439/133, 135;
709/219, 201; 710/73; 320/114, 115,
320/123; 361/679; 382/313, 321;
455/575.1, 561, 572

See application file for complete search history.

(56) **References Cited**

U.S. PATENT DOCUMENTS

- D289,291 S * 4/1987 Kapper D14/389
- D311,393 S * 10/1990 Weaver et al. D14/420
- D318,658 S * 7/1991 Stoddard et al. D14/430
- D334,922 S * 4/1993 Meyerson et al. D14/429
- 5,496,992 A * 3/1996 Madan et al. 235/472.02
- 5,736,726 A * 4/1998 VanHorn et al. 235/472.02
- D400,199 S * 10/1998 Fitch et al. D14/428
- 5,850,078 A * 12/1998 Giordano et al. 235/462.27
- D435,557 S * 12/2000 Eisenberg et al. D14/428
- D460,075 S * 7/2002 Destefano et al. D14/428
- D494,593 S * 8/2004 Wulff et al. D14/429
- D509,829 S * 9/2005 MacGregor D14/453
- D512,427 S * 12/2005 Choi et al. D14/428
- D518,482 S * 4/2006 Hodges et al. D14/426

- 7,051,943 B2 * 5/2006 Leone et al. 235/462.45
- 7,161,470 B2 * 1/2007 Berquist et al. 340/10.31
- D539,294 S * 3/2007 Croley et al. D14/453
- D540,333 S * 4/2007 Croley et al. D14/453
- D544,485 S * 6/2007 Chen et al. D14/428
- D558,624 S * 1/2008 Perez et al. D10/104.1
- D558,768 S * 1/2008 Jenkins et al. D14/428
- D571,808 S * 6/2008 Dorr et al. D14/429
- D583,822 S * 12/2008 Matsumoto et al. D14/453
- D604,303 S * 11/2009 Boyd D14/453
- D612,854 S * 3/2010 Arnold et al. D14/429
- D613,296 S * 4/2010 Hattori D14/453
- D614,627 S * 4/2010 Lerner et al. D14/429
- D617,799 S * 6/2010 Odhe et al. D14/420
- 7,743,997 B2 * 6/2010 Copeland et al. 235/472.01
- D626,550 S * 11/2010 Julien D14/341
- D633,095 S * 2/2011 Cullen et al. D14/453
- D676,850 S * 2/2013 Minafo et al. D14/429
- D692,004 S * 10/2013 Man D14/428
- D697,067 S * 1/2014 Minafo et al. D14/429
- D699,727 S * 2/2014 Dean D14/429
- 2004/0046027 A1 * 3/2004 Leone et al. 235/462.13
- 2004/0069851 A1 * 4/2004 Grunes et al. 235/435
- 2007/0158429 A1 * 7/2007 Bhatia et al. 235/462.45
- 2009/0090780 A1 * 4/2009 Clark et al. 235/462.01
- 2009/0289116 A1 * 11/2009 Copeland et al. 235/440
- 2009/0321524 A1 * 12/2009 Bellows et al. 235/462.45
- 2010/0170952 A1 * 7/2010 Mangaroo et al. 235/462.45
- 2012/0228384 A1 * 9/2012 Boyd 235/472.01

* cited by examiner

Primary Examiner — Susan Moon Lee

(57) **CLAIM**

The ornamental design for a handheld wireless reader, as shown and described.

DESCRIPTION

FIG. 1 is a front perspective view of a handheld wireless reader;

FIG. 2 is a front view thereof;

FIG. 3 is a rear view thereof;

FIG. 4 is a left side view thereof;

FIG. 5 is a right side view thereof;

FIG. 6 is a top view thereof;

FIG. 7 is a bottom view thereof;

FIG. 8 is a reference perspective view showing the usage state of the handheld wireless reader of FIG. 1;

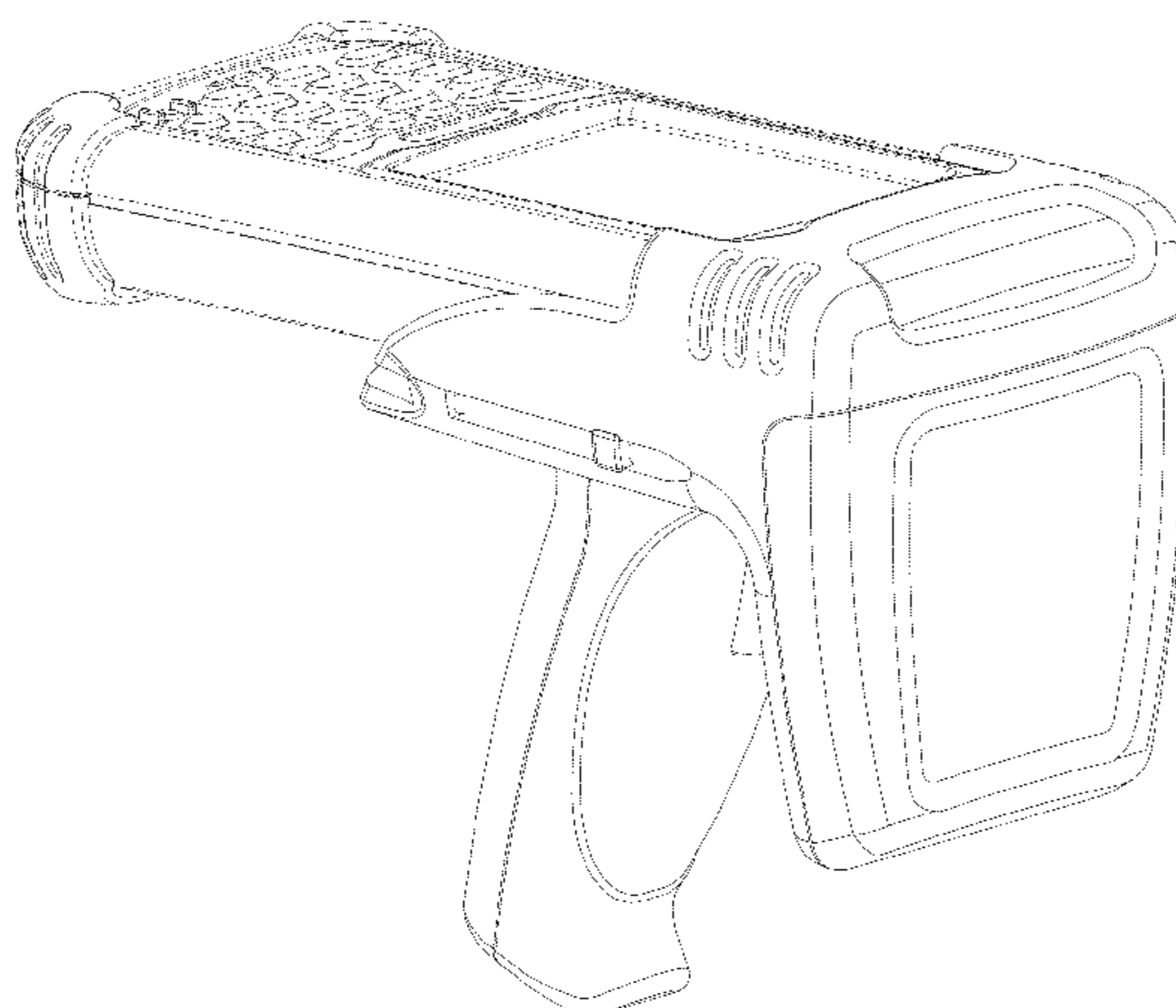


FIG. 9 is another reference perspective view showing the usage state of the handheld wireless reader of FIG. 1;
FIG. 10 is a front perspective view of a second embodiment of the handheld wireless reader;
FIG. 11 is a front view thereof;
FIG. 12 is a rear view thereof;
FIG. 13 is a left side view thereof;
FIG. 14 is a right side view thereof;
FIG. 15 is a top view thereof;
FIG. 16 is a bottom view thereof;
FIG. 17 is a reference perspective view showing the usage state of the handheld wireless reader of the second embodiment;
FIG. 18 is another reference perspective view showing the usage state of the handheld wireless reader of the second embodiment;
FIG. 19 is a front perspective view of a third embodiment of the handheld wireless reader;
FIG. 20 is a front view thereof;
FIG. 21 is a rear view thereof;
FIG. 22 is a left side view thereof;
FIG. 23 is a right side view thereof;
FIG. 24 is a top view thereof;

FIG. 25 is a bottom view thereof;
FIG. 26 is a reference perspective view showing the usage state of the handheld wireless reader of the third embodiment;
FIG. 27 is a reference perspective view showing the usage state of the handheld wireless reader of the third embodiment;
FIG. 28 is a front perspective view of a fourth embodiment of the handheld wireless reader;
FIG. 29 is a front view thereof;
FIG. 30 is a rear view thereof;
FIG. 31 is a left side view thereof;
FIG. 32 is a right side view thereof;
FIG. 33 is a top view thereof;
FIG. 34 is a bottom view thereof;
FIG. 35 is a reference perspective view showing the usage state of the handheld wireless reader of the fourth embodiment; and,
FIG. 36 is a reference perspective view showing the usage state of the handheld wireless reader of the fourth embodiment.
Broken lines and portions contained within broken lines are not claimed.

1 Claim, 36 Drawing Sheets

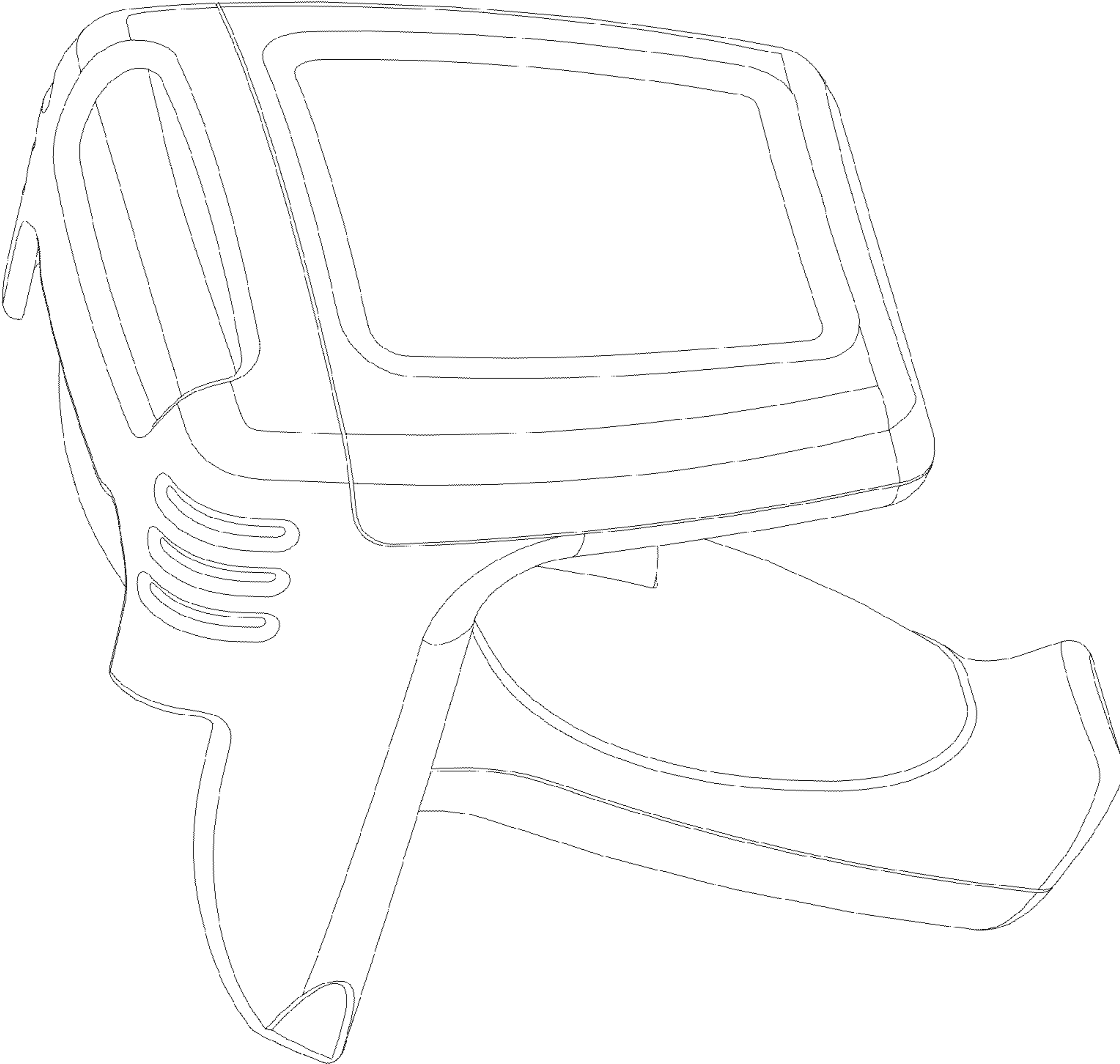


FIG. 1

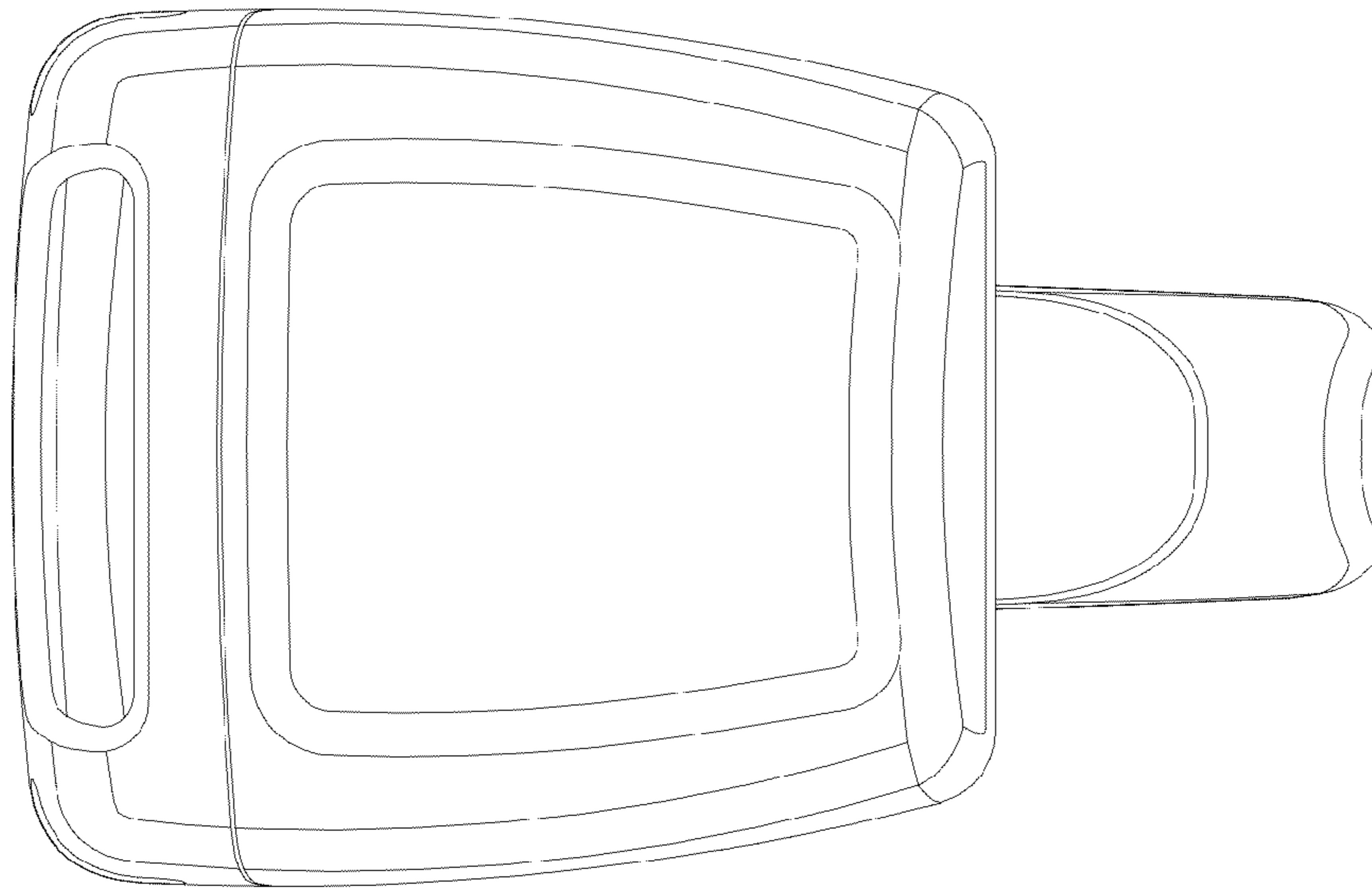


FIG.2

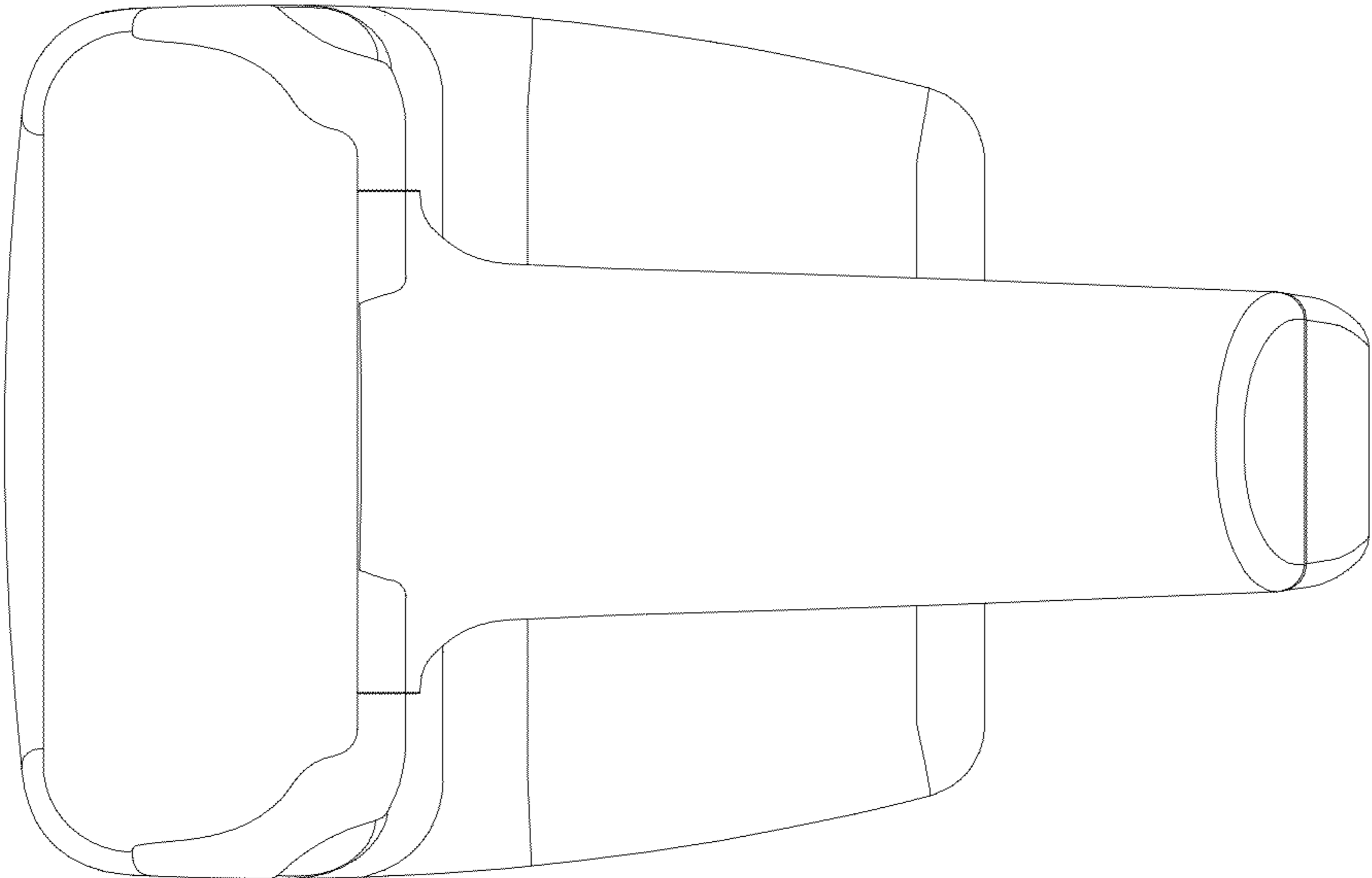


FIG.3

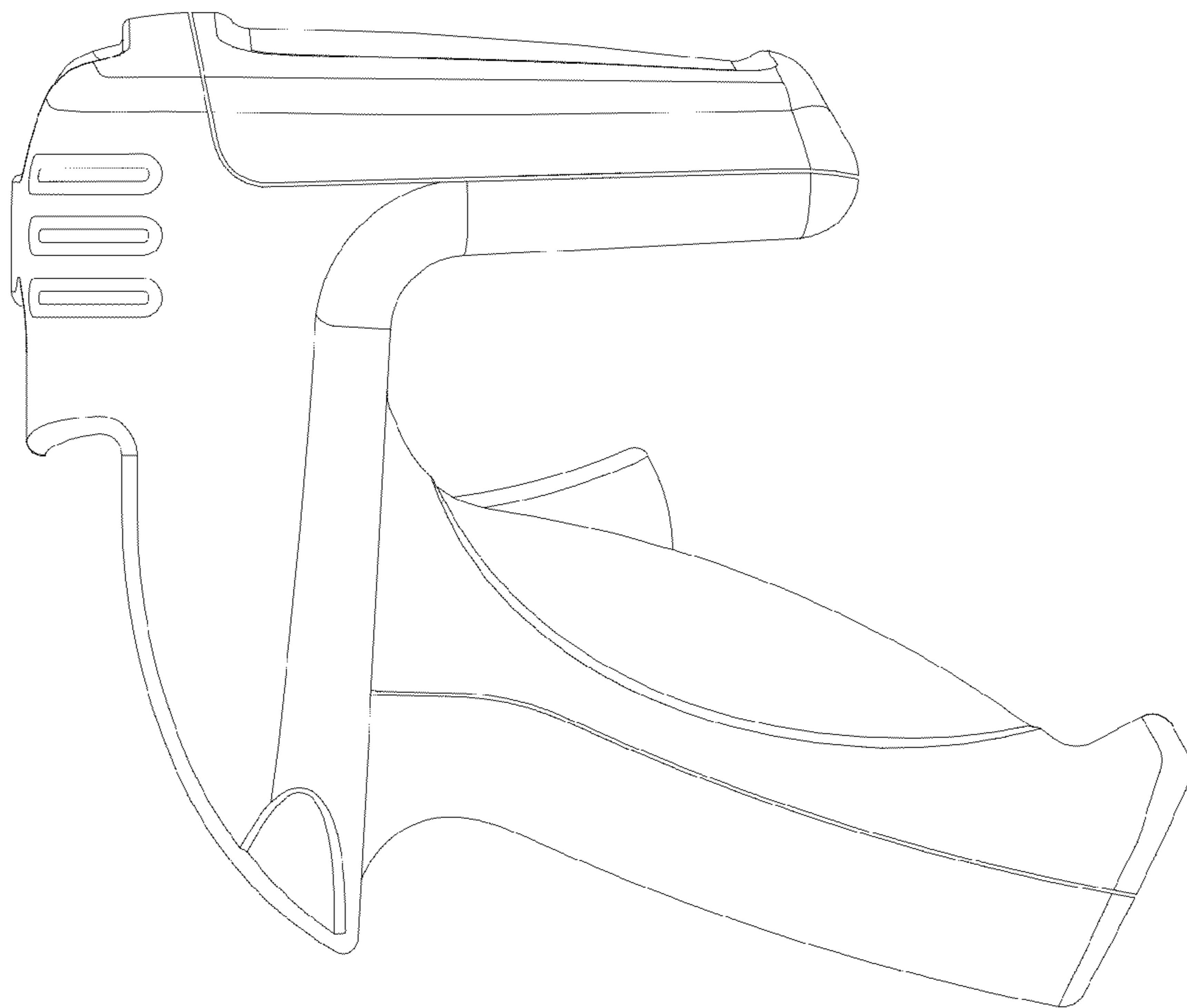


FIG.4

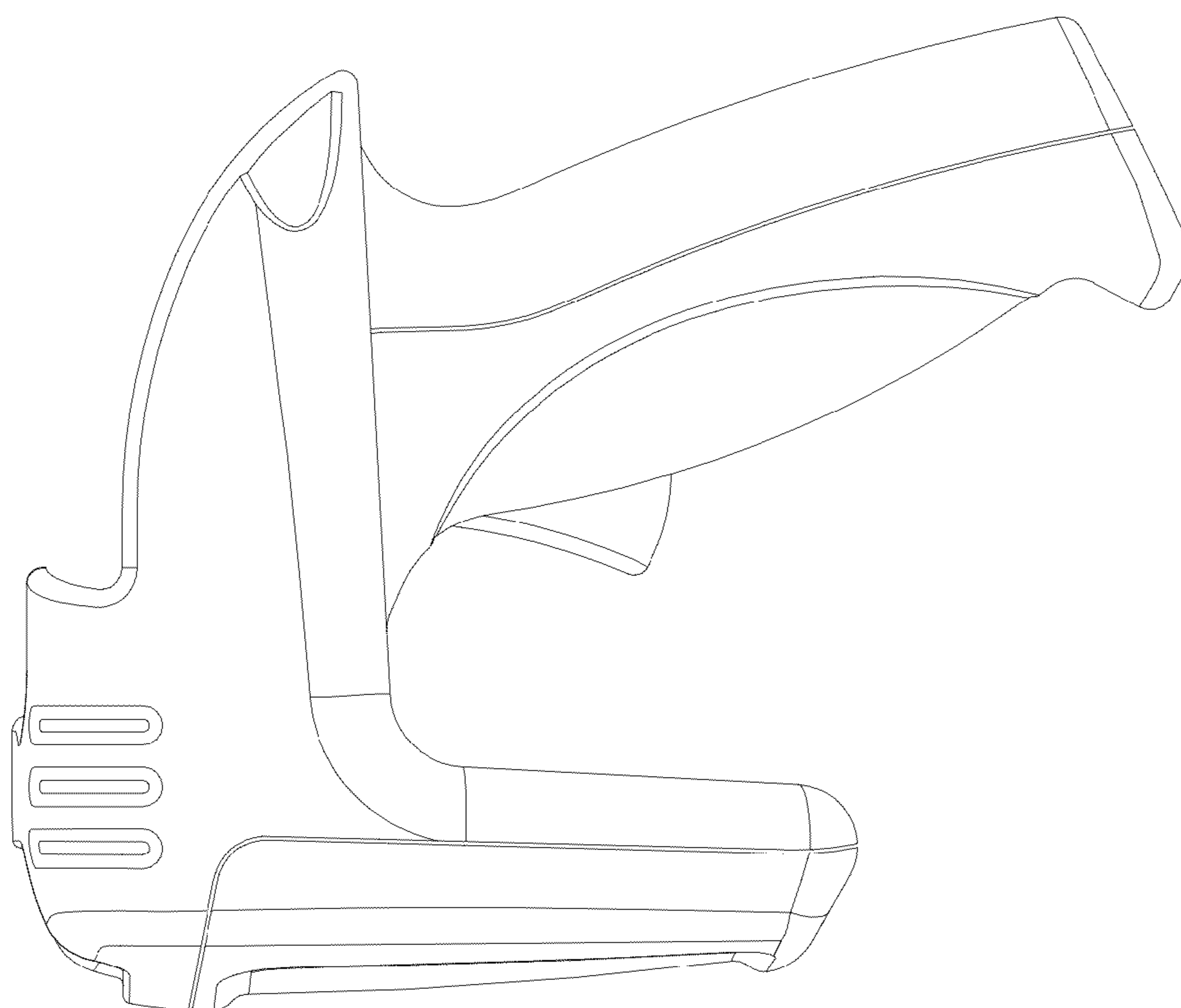


FIG.5

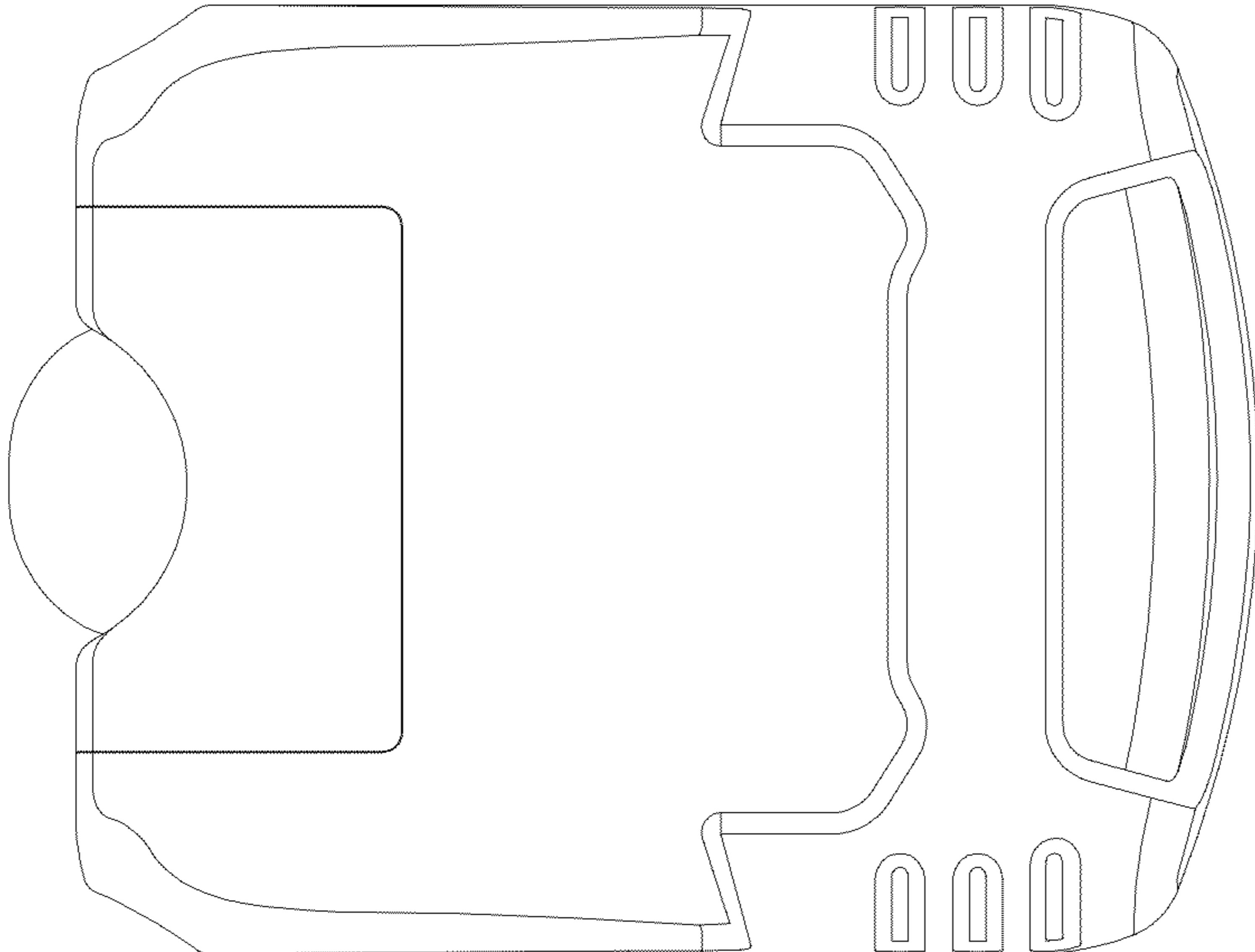


FIG.6

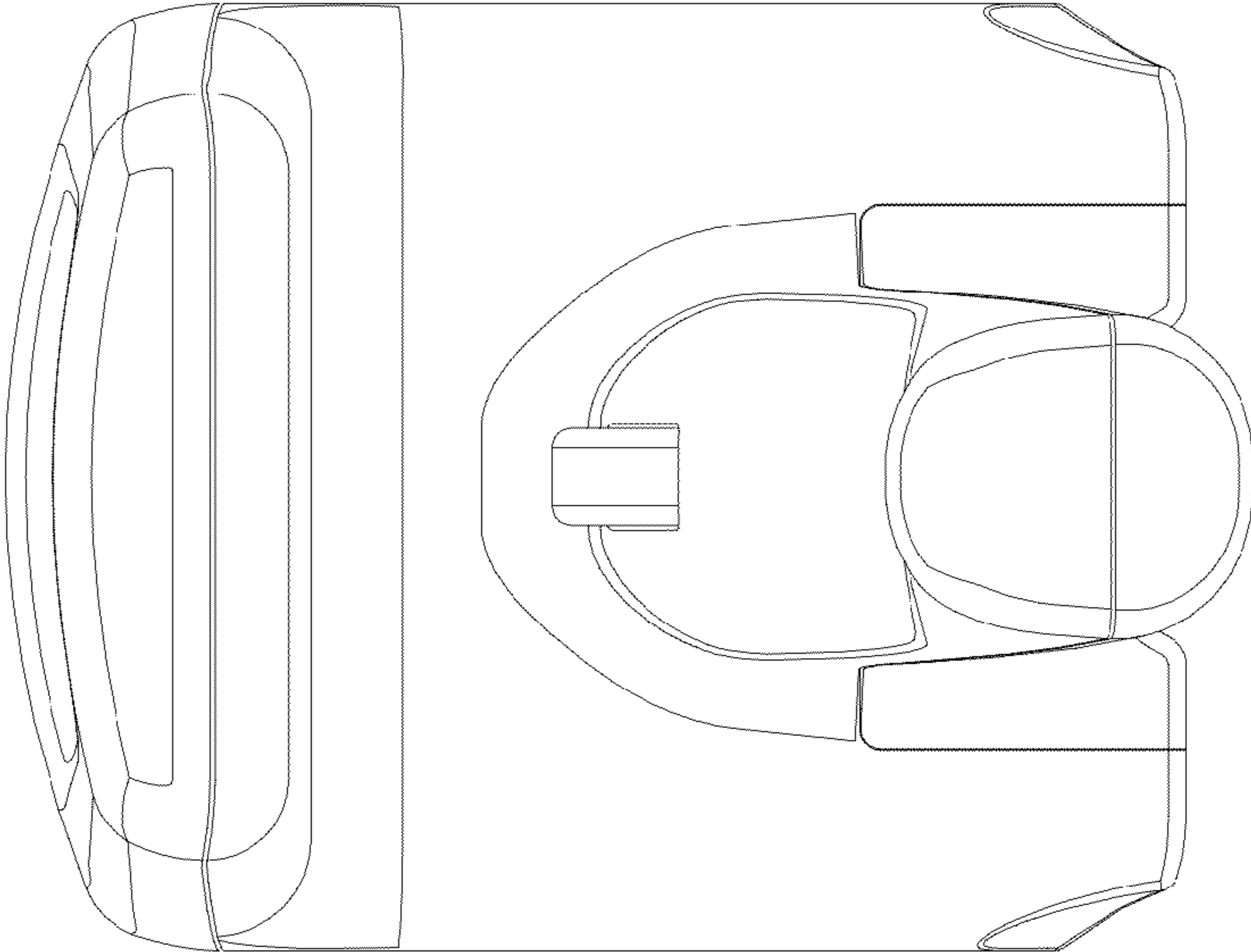


FIG.7

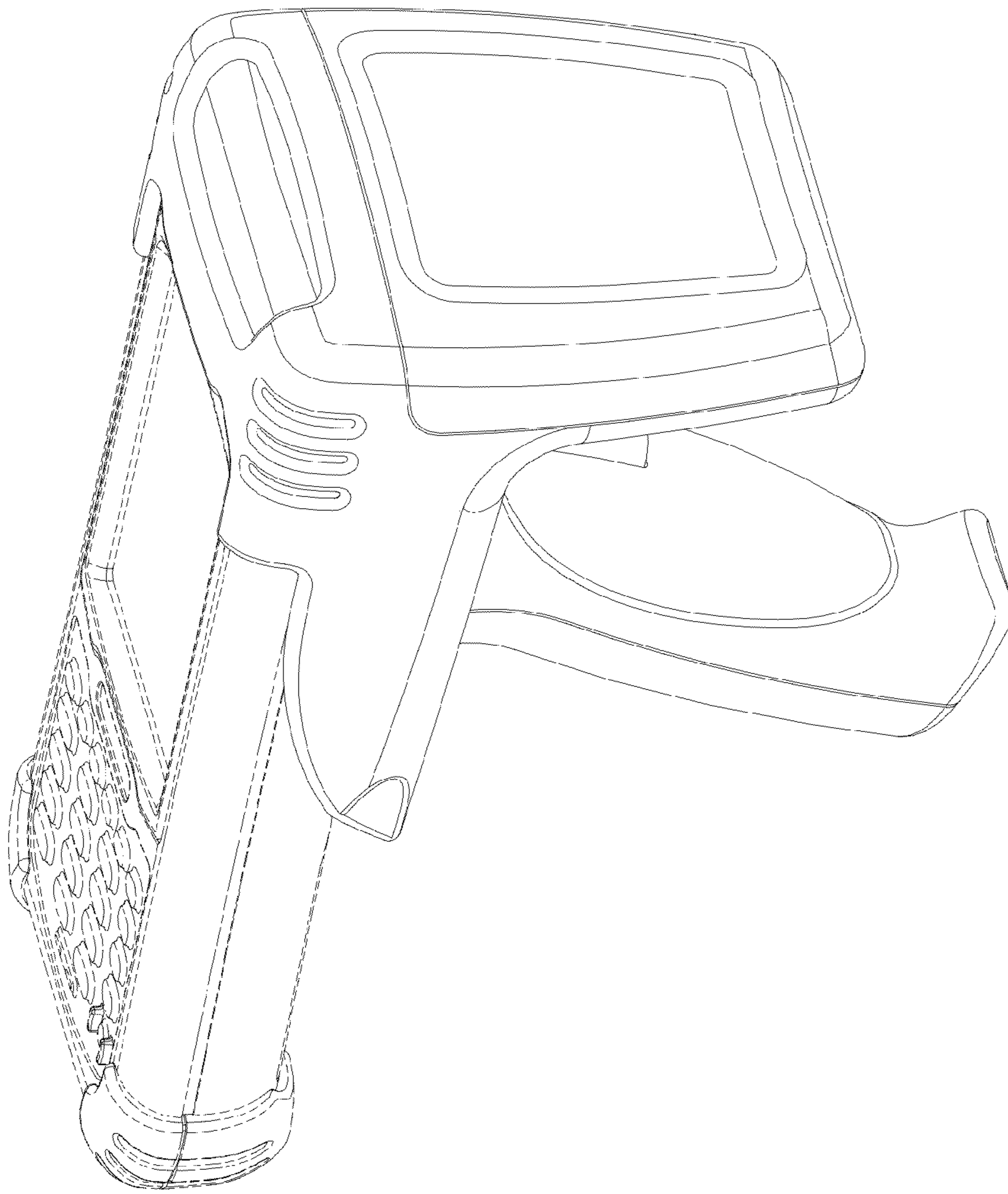


FIG.8

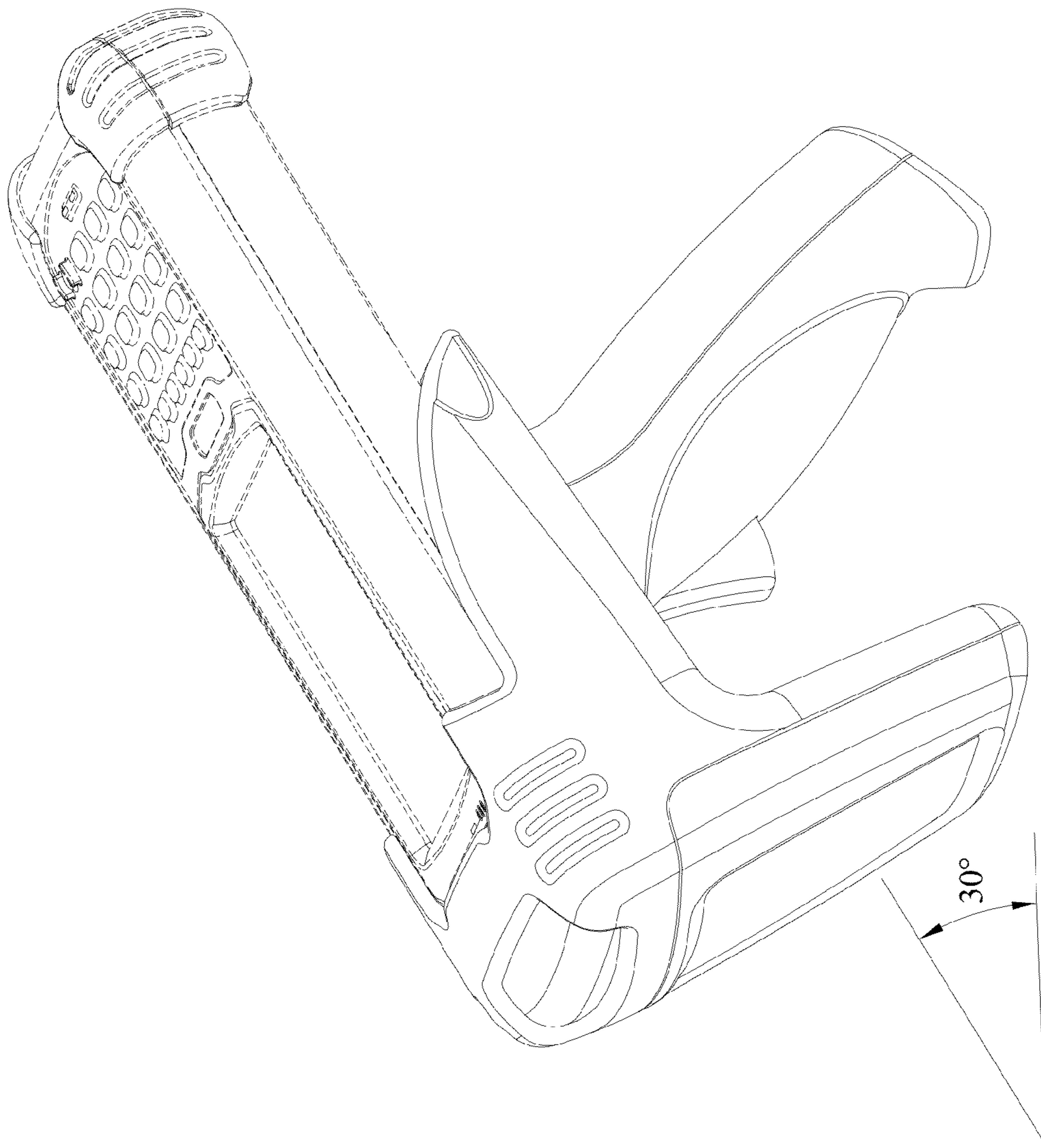


FIG.9

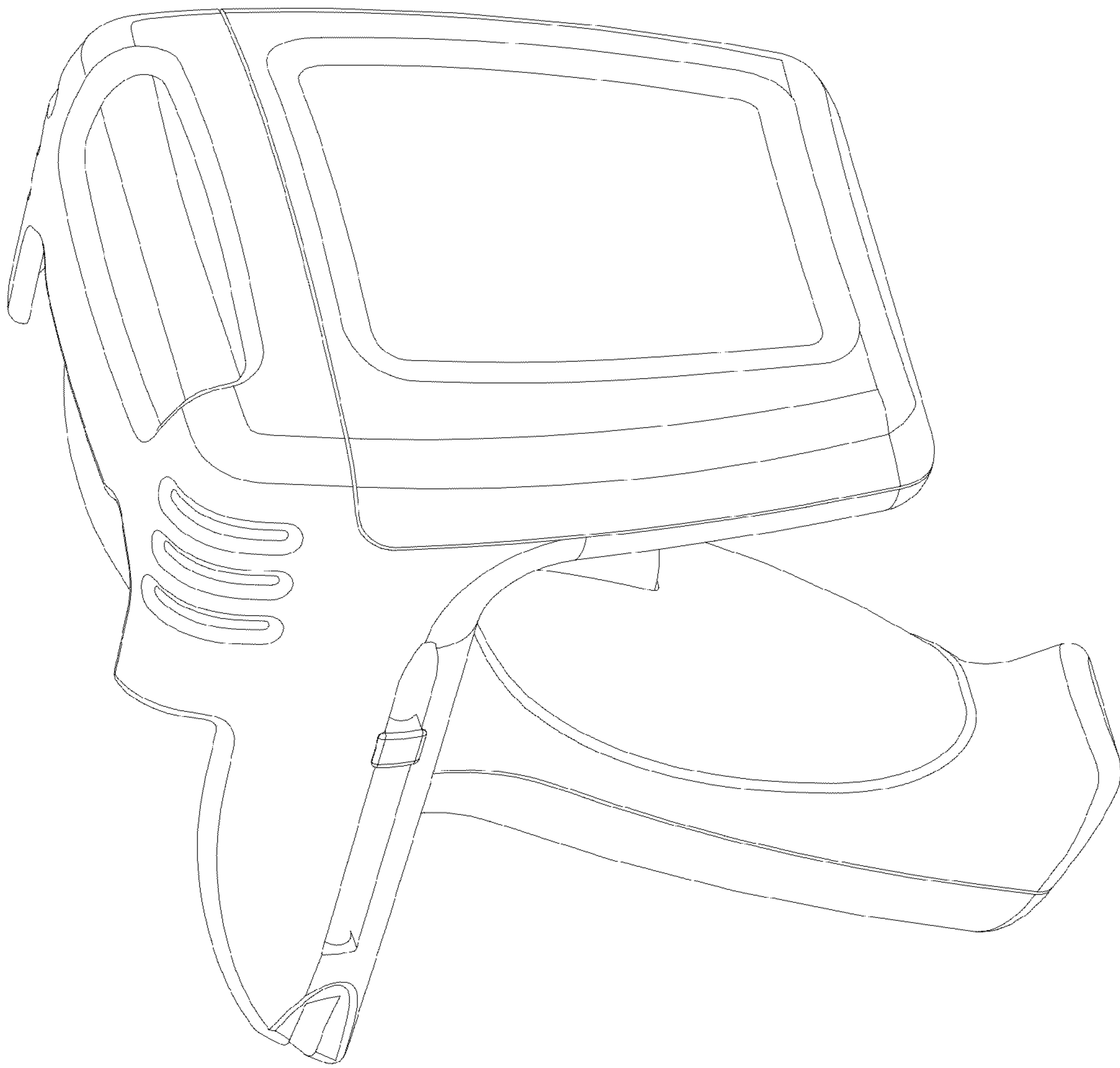


FIG.10

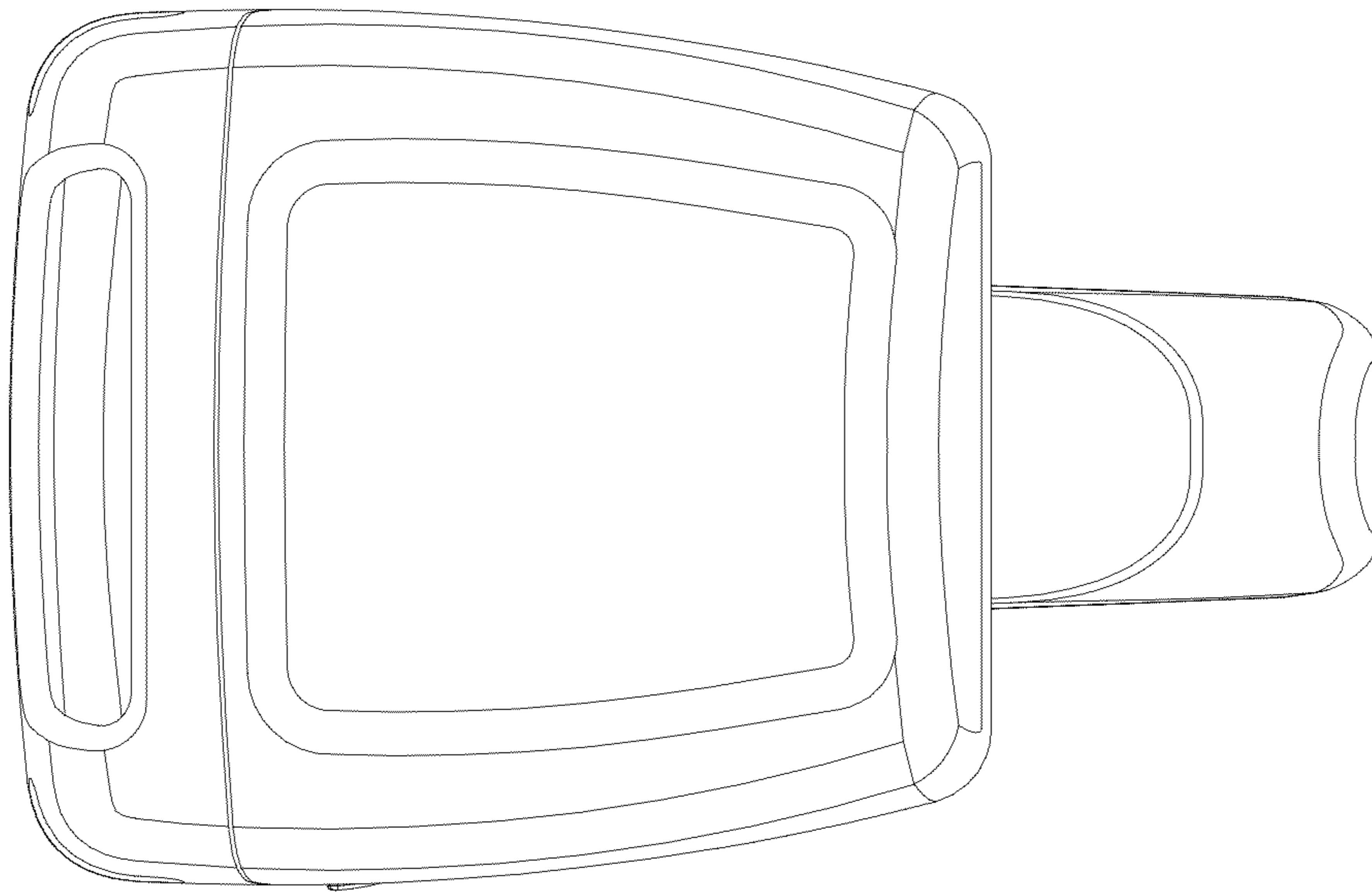


FIG.11

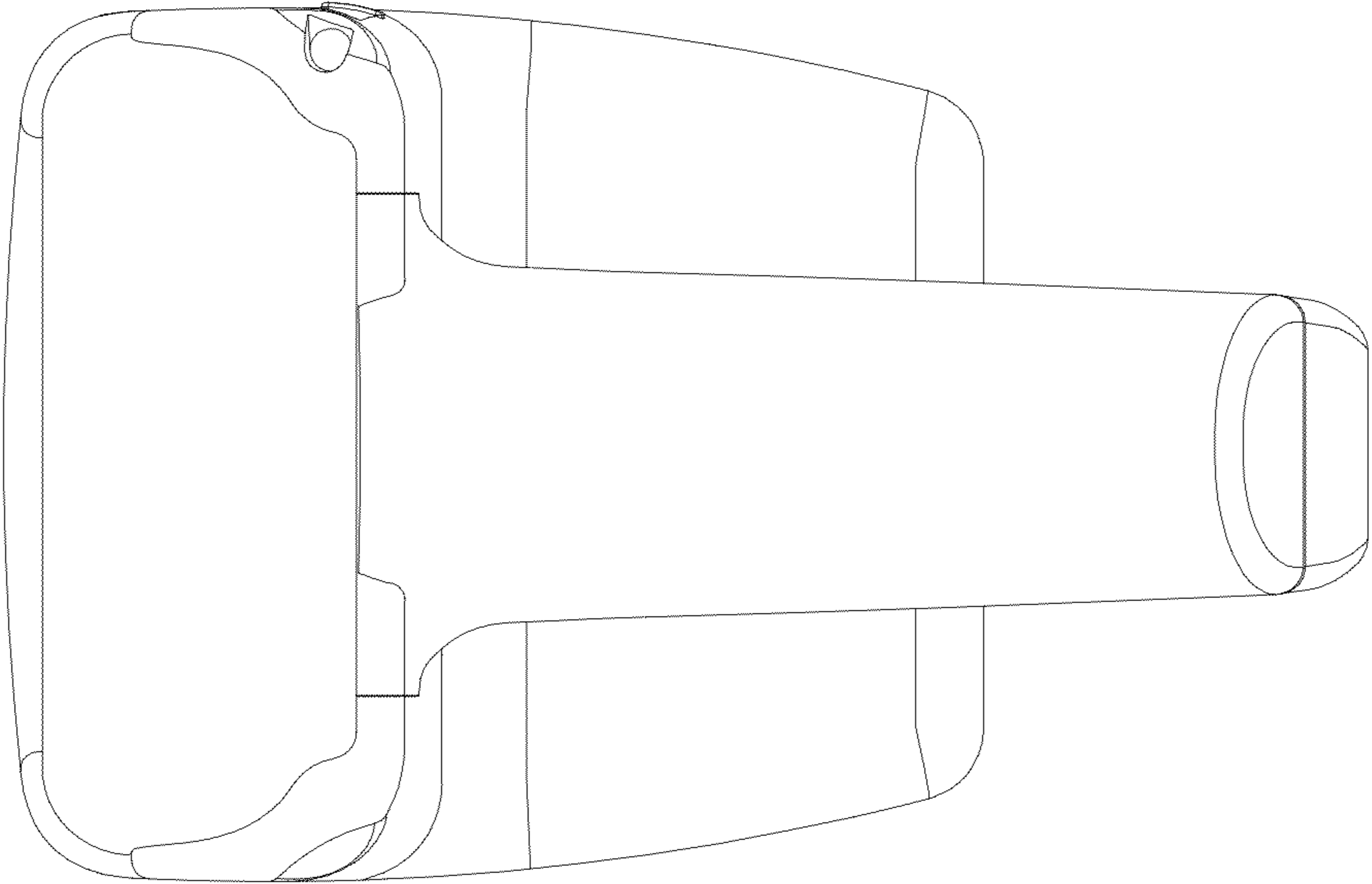


FIG.12

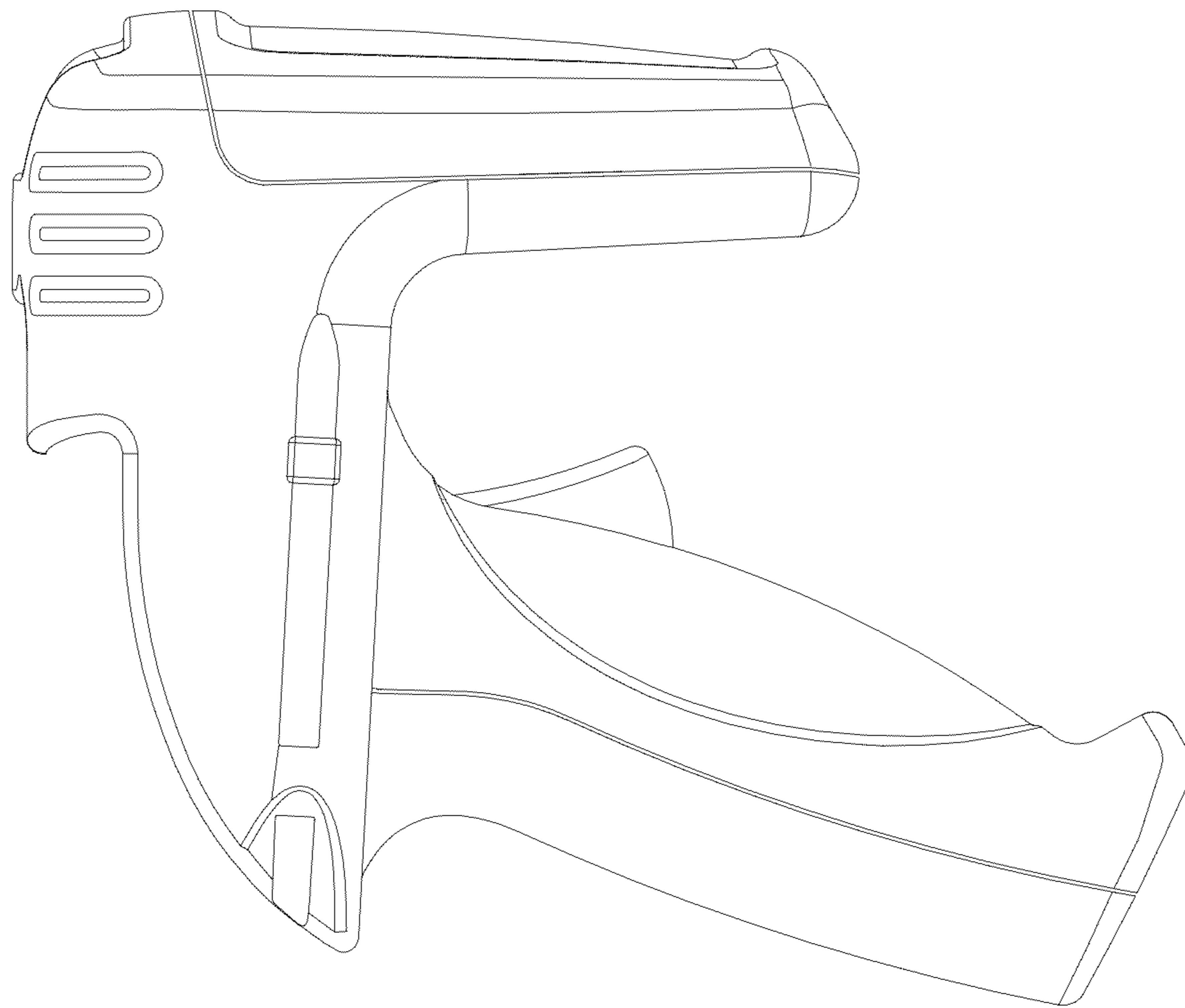


FIG.13

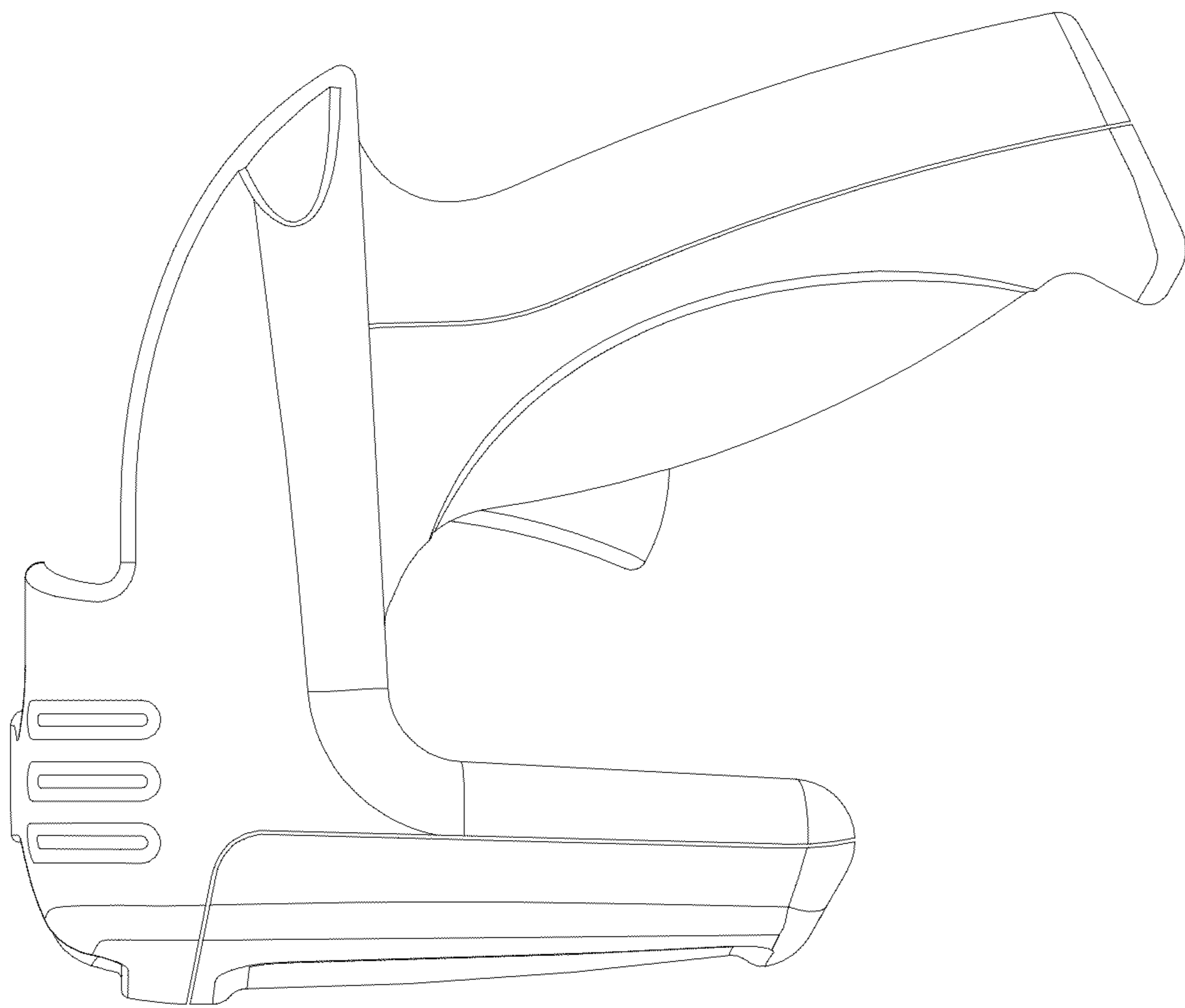


FIG.14

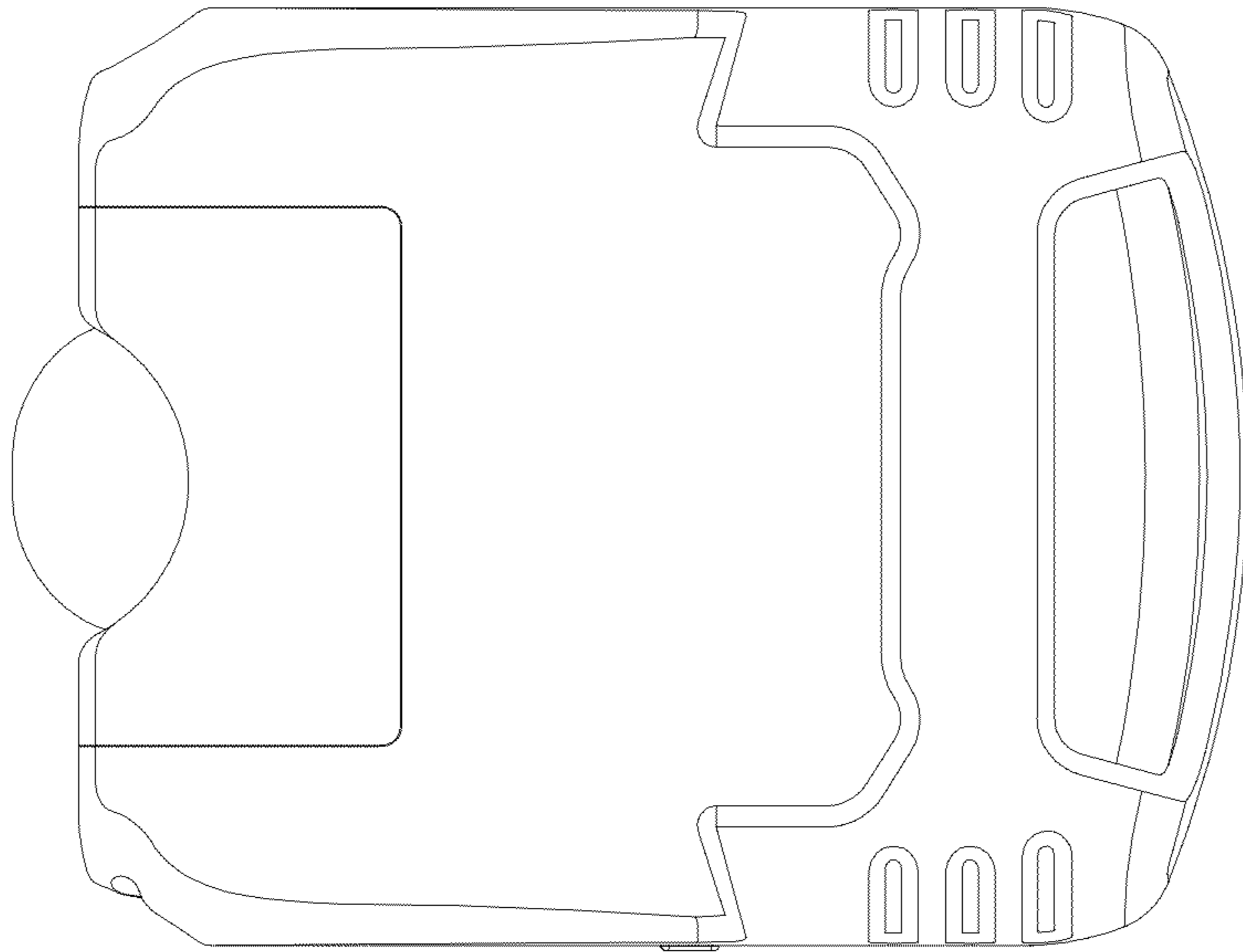


FIG.15

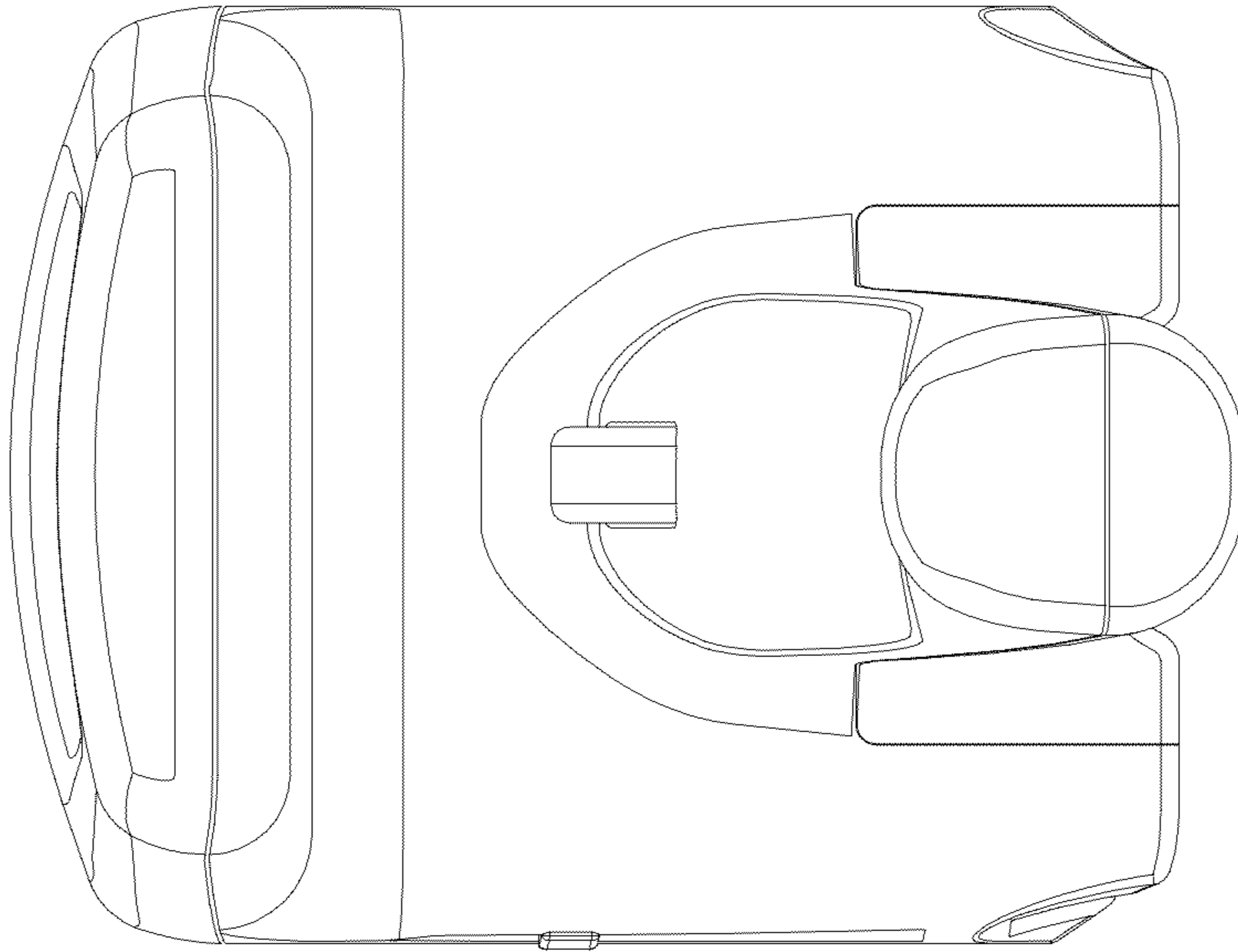


FIG.16

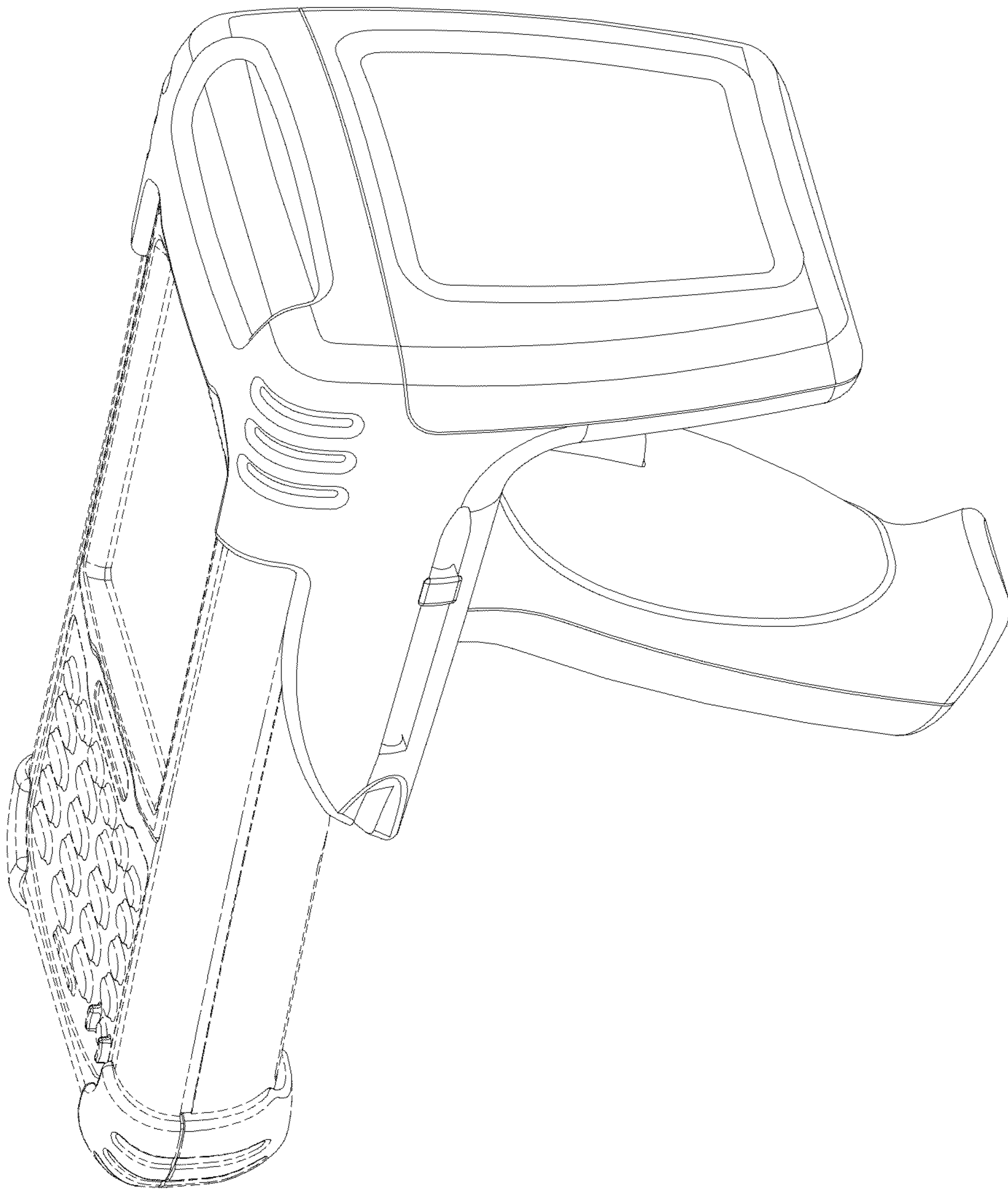


FIG.17

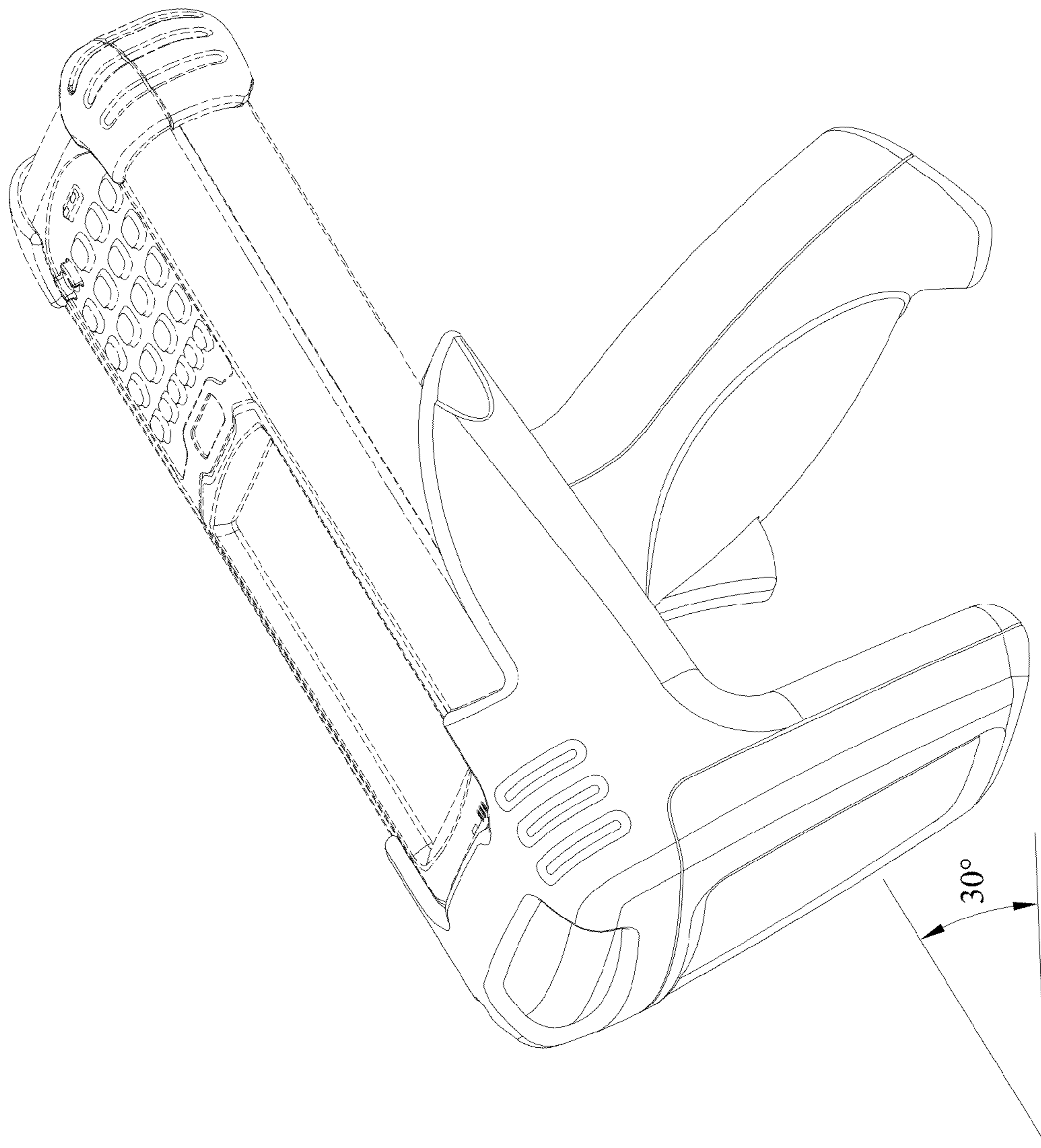


FIG.18

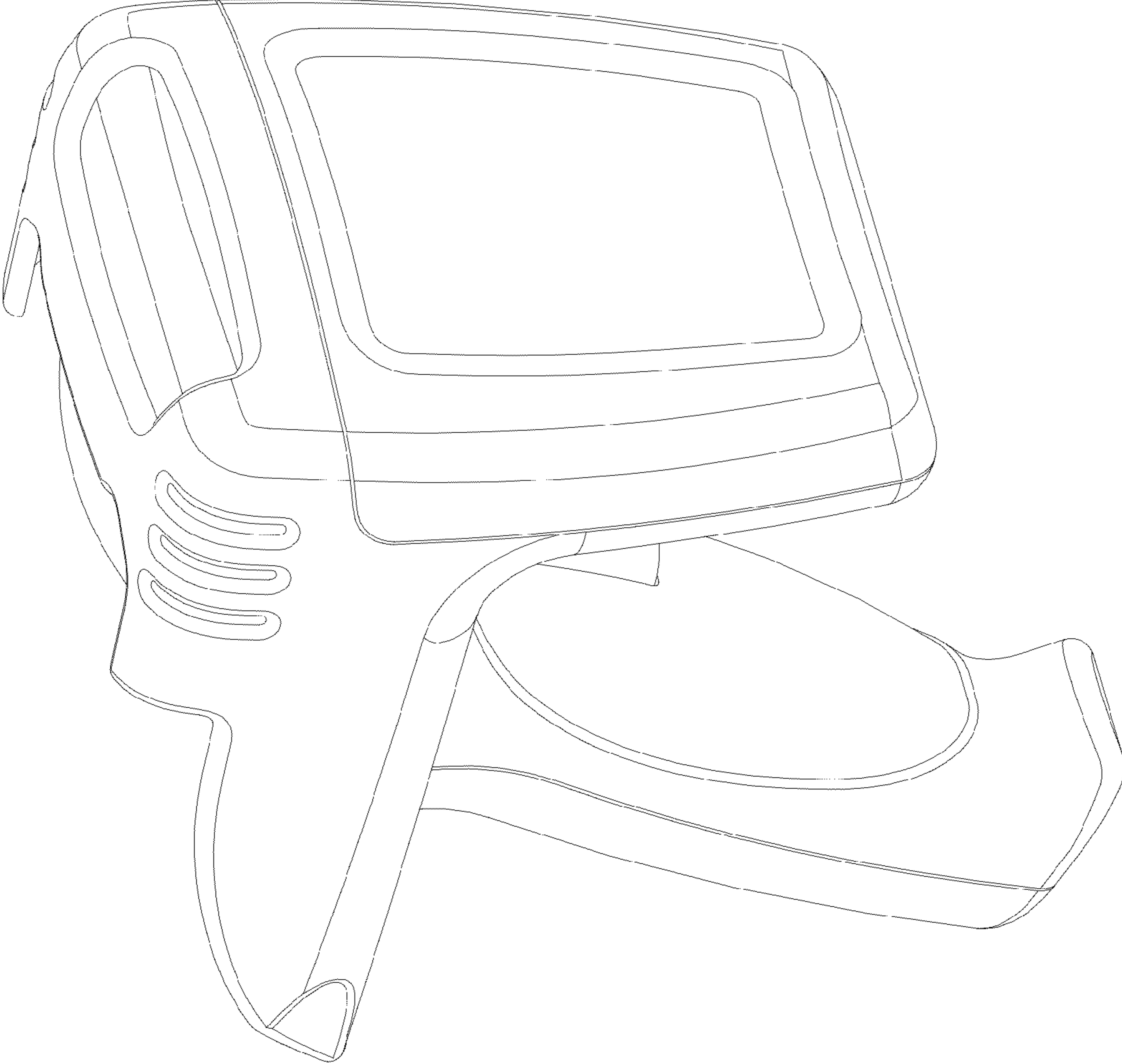


FIG.19

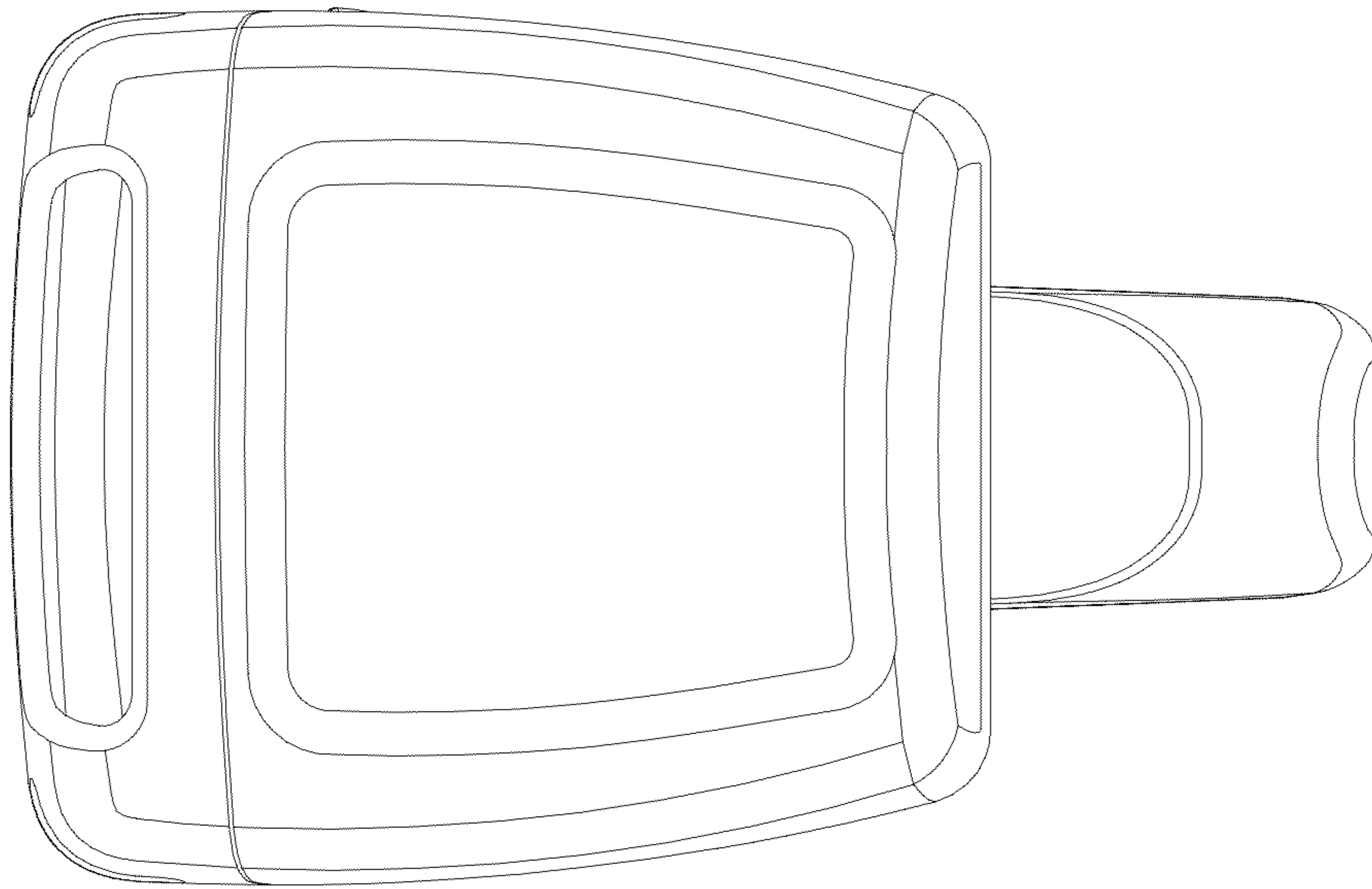


FIG. 20

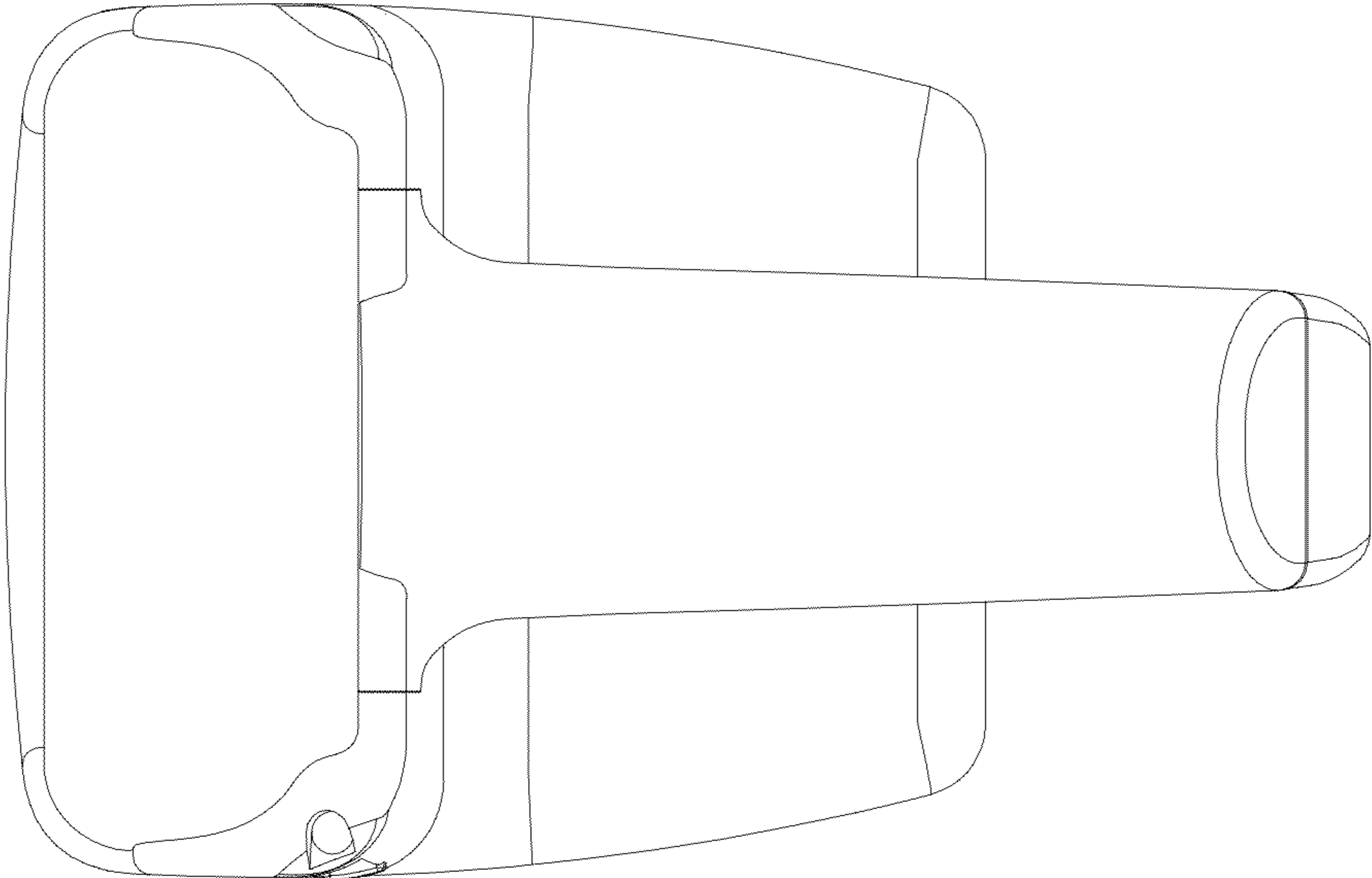


FIG.21

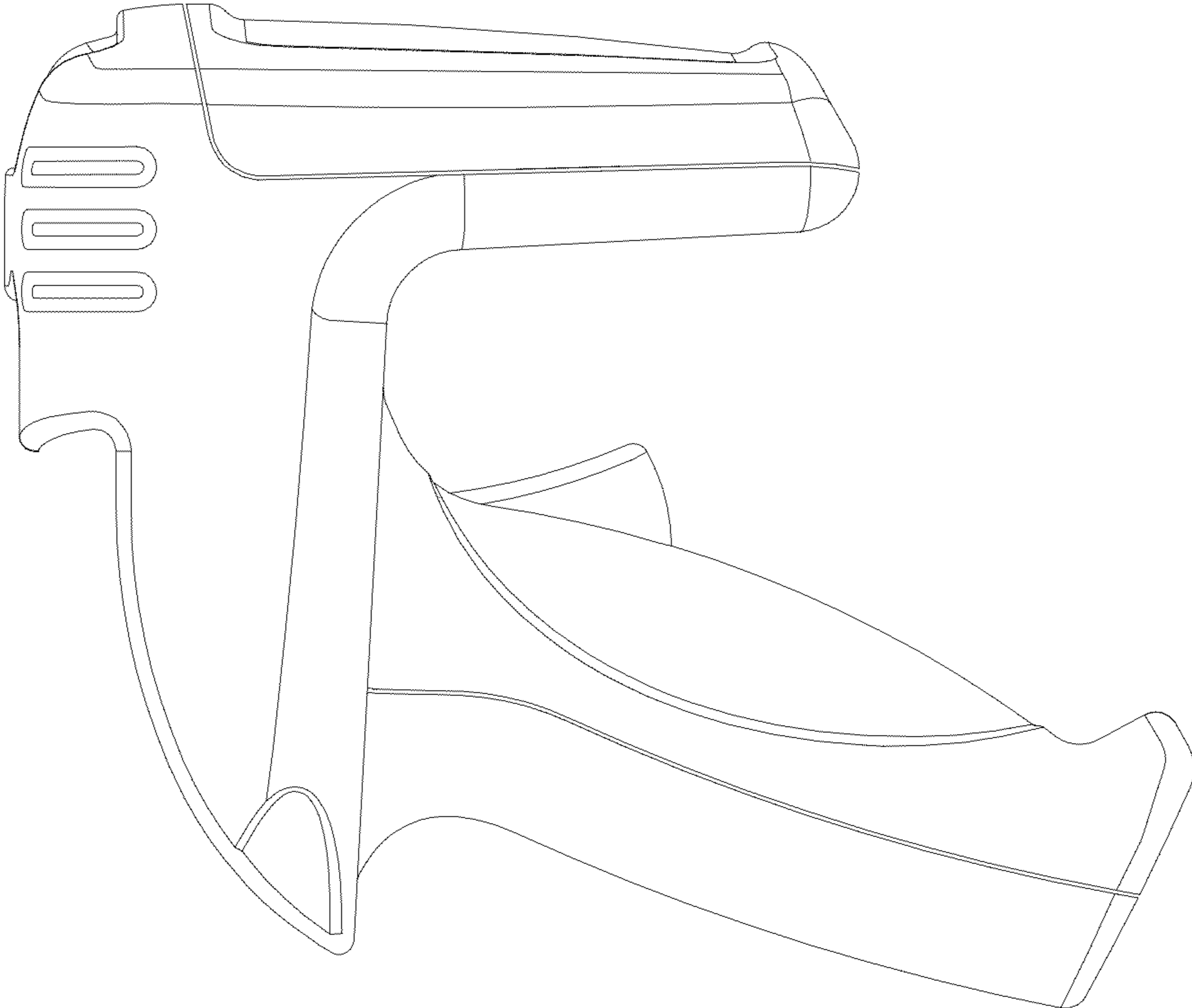


FIG.22

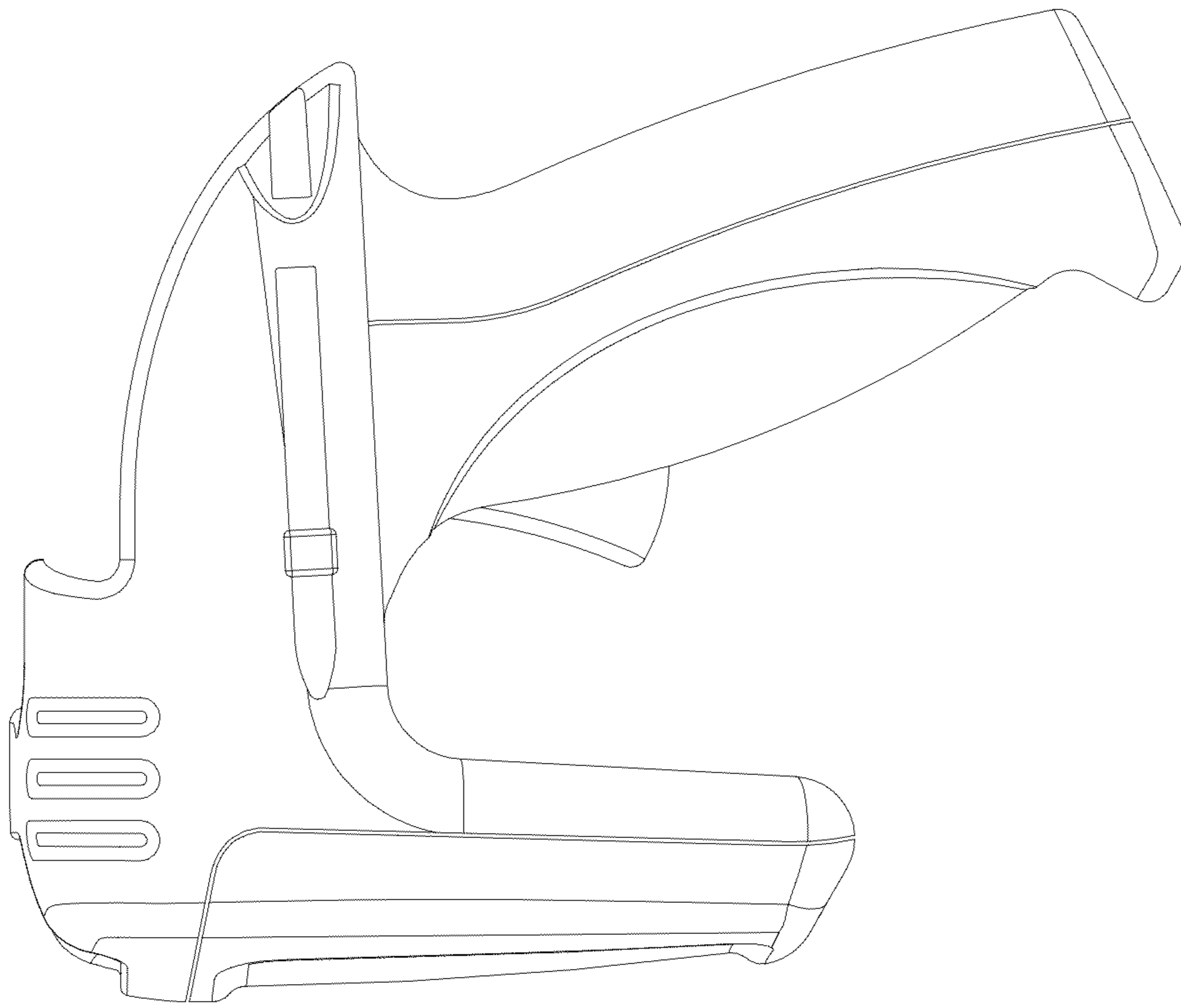


FIG.23

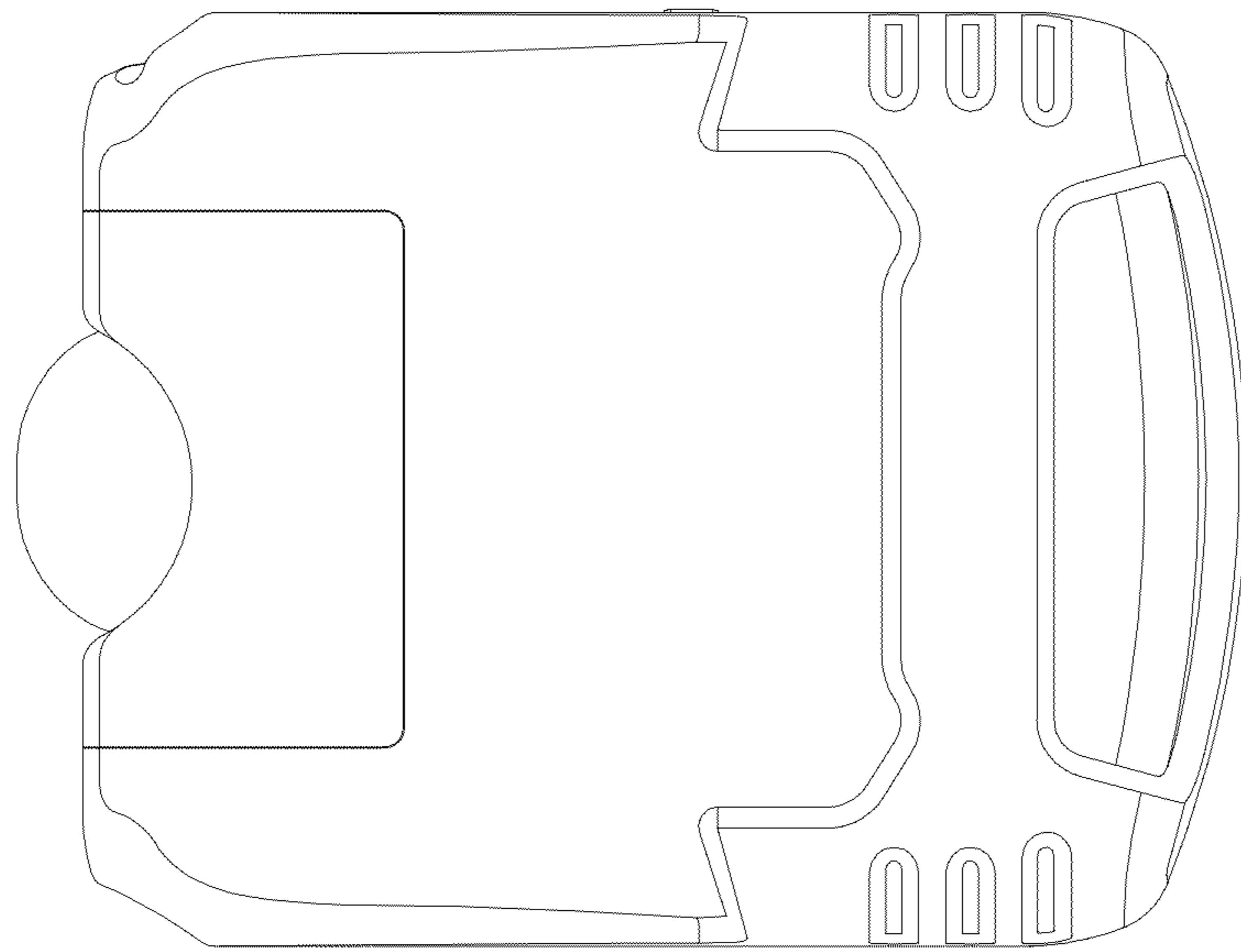


FIG.24

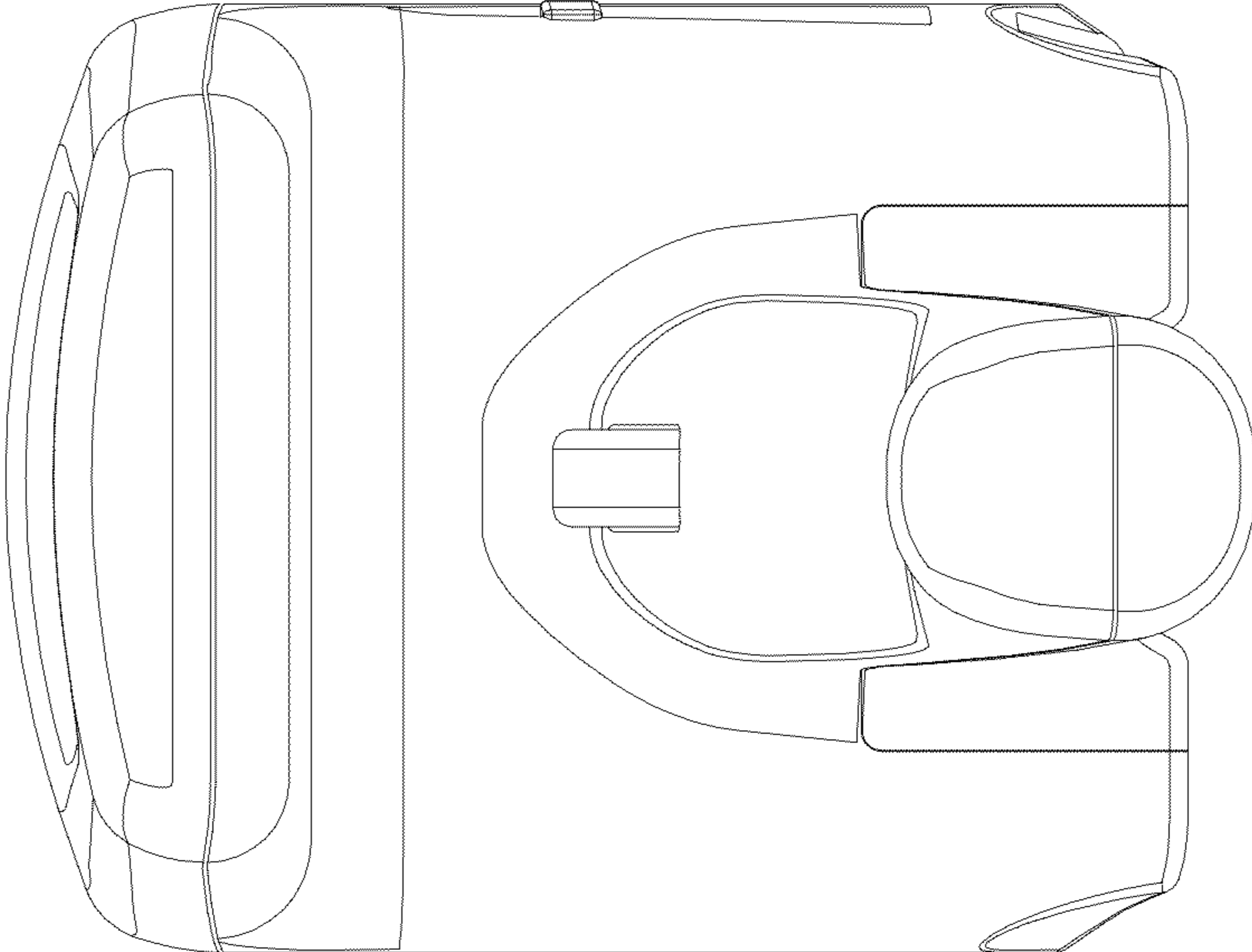


FIG.25

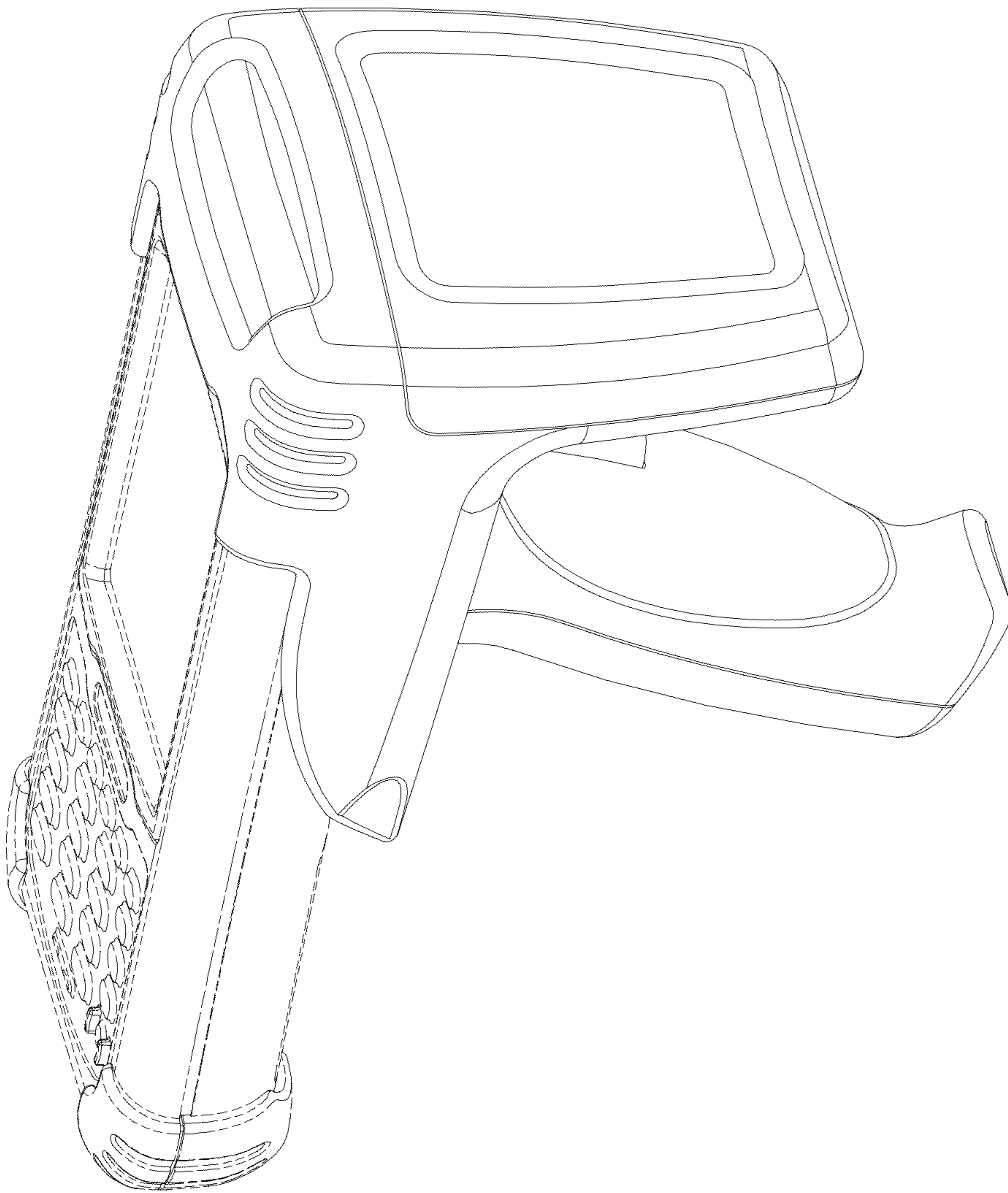


FIG.26

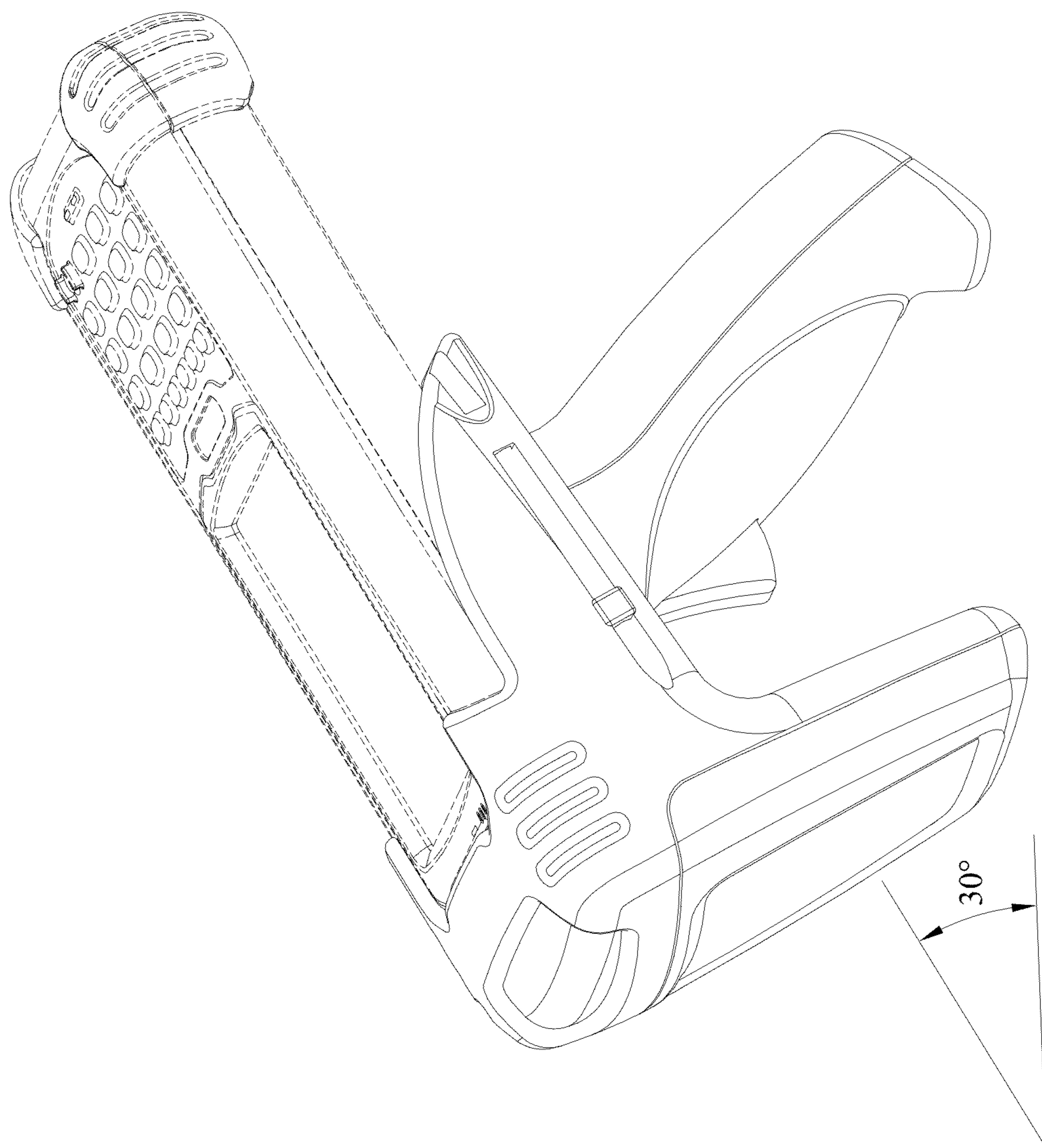


FIG.27

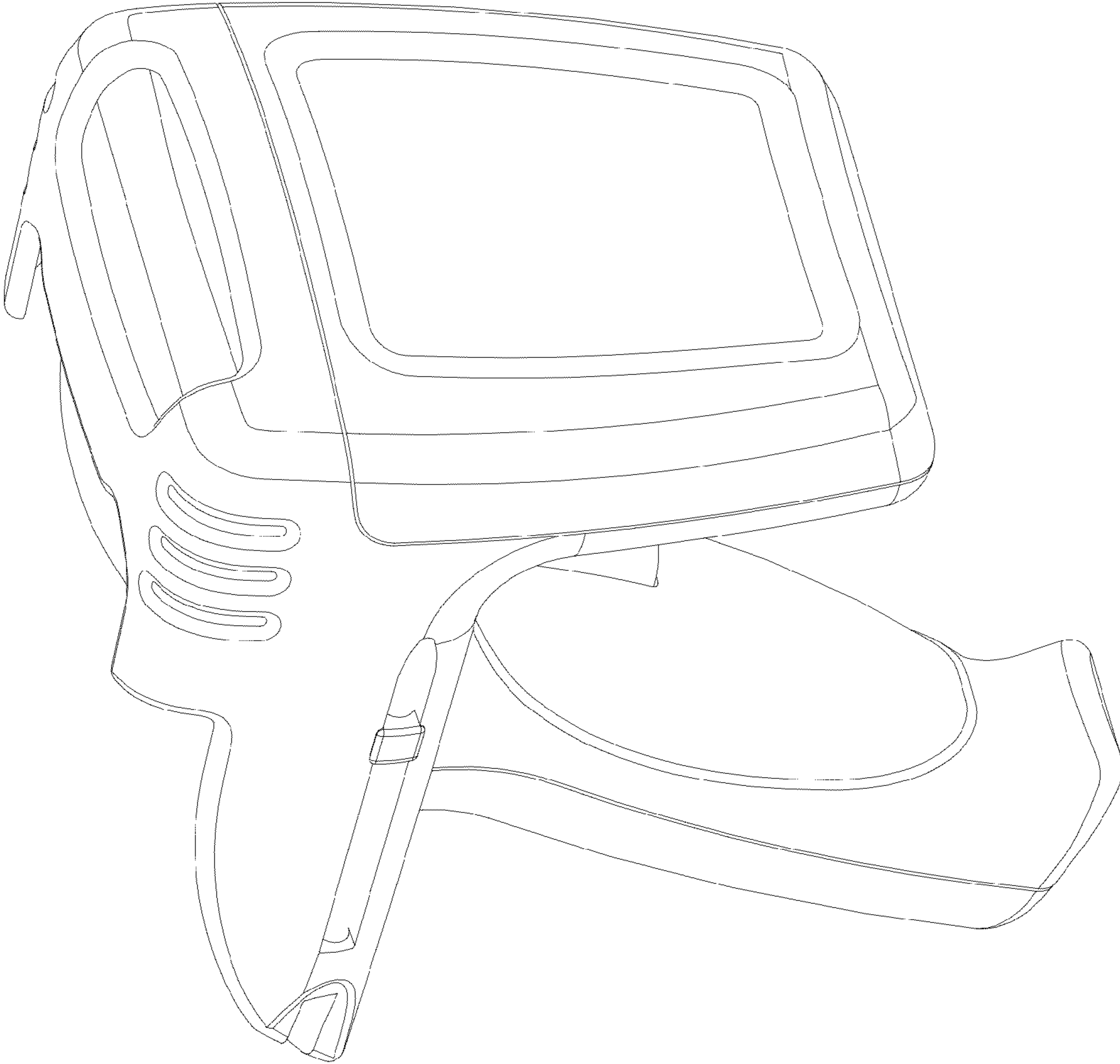


FIG.28

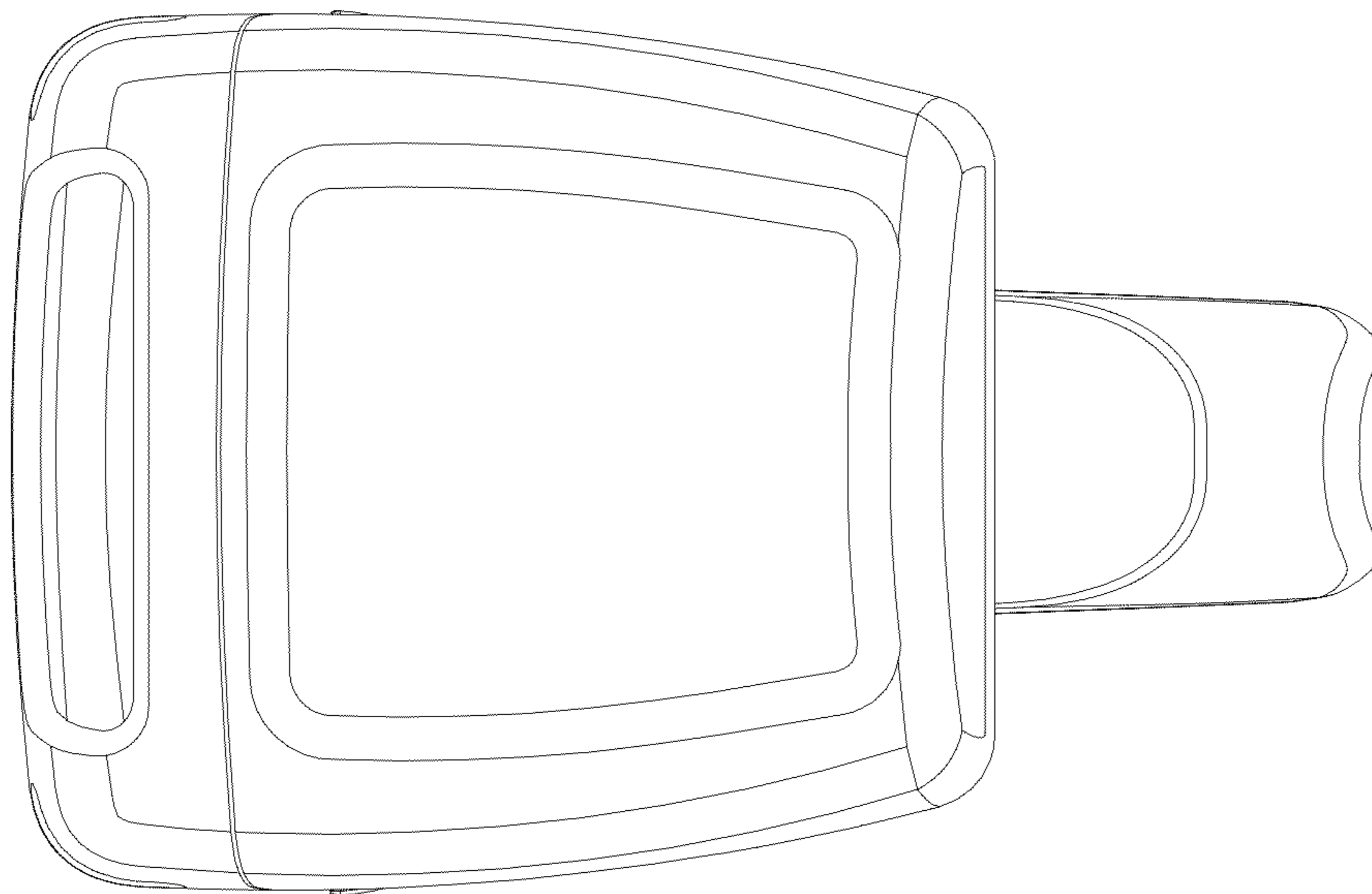


FIG. 29

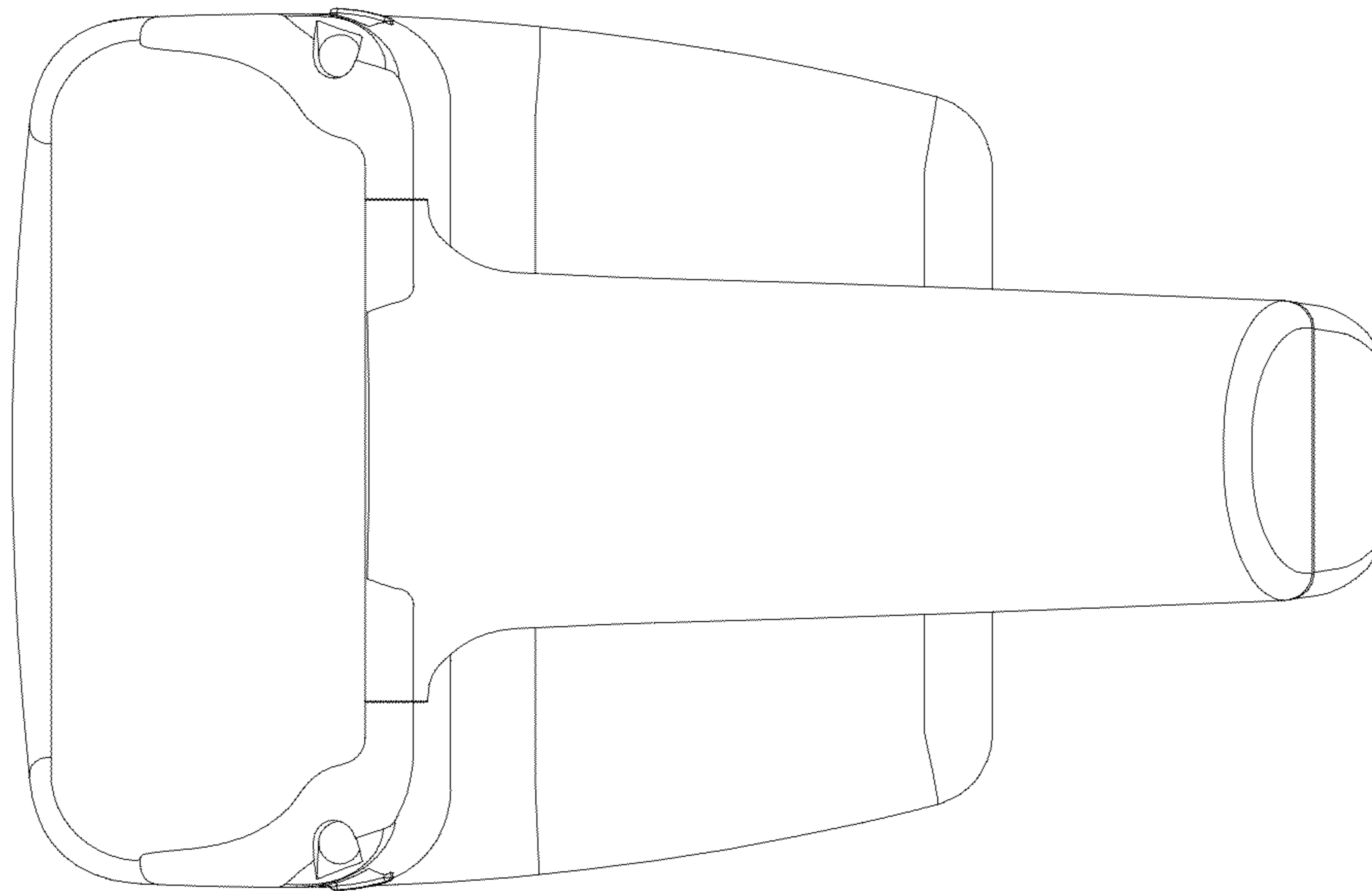


FIG.30

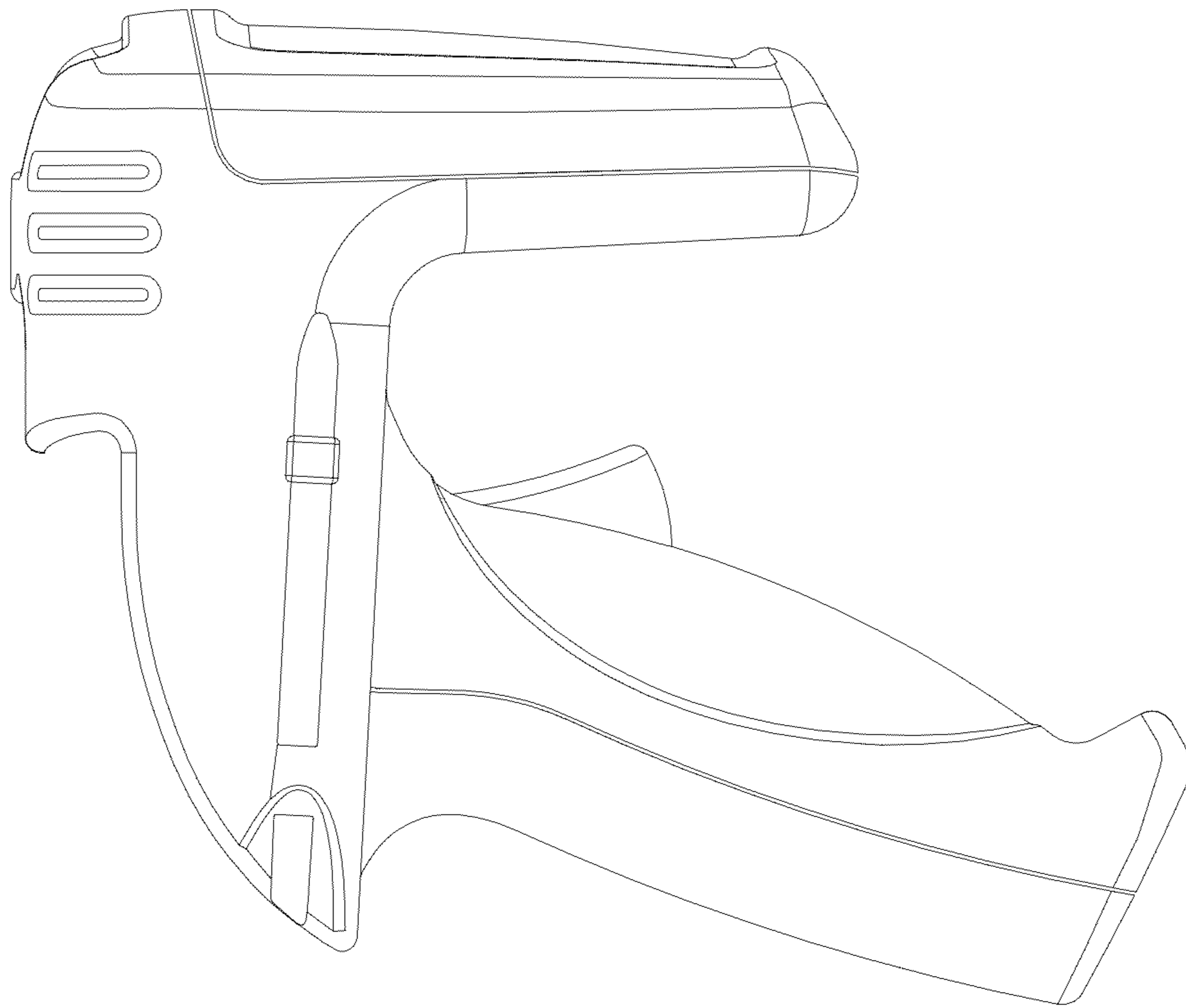


FIG.31

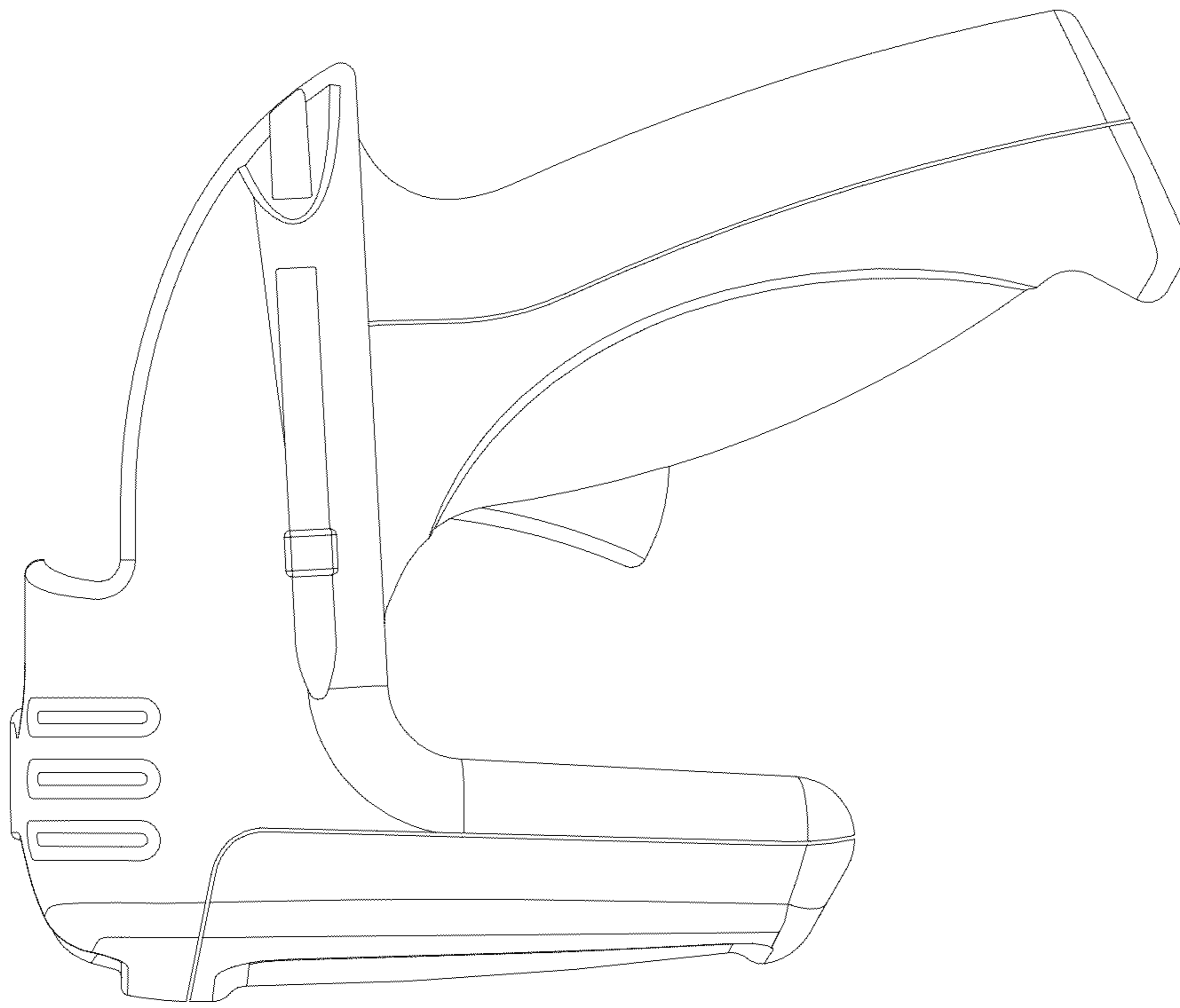


FIG.32

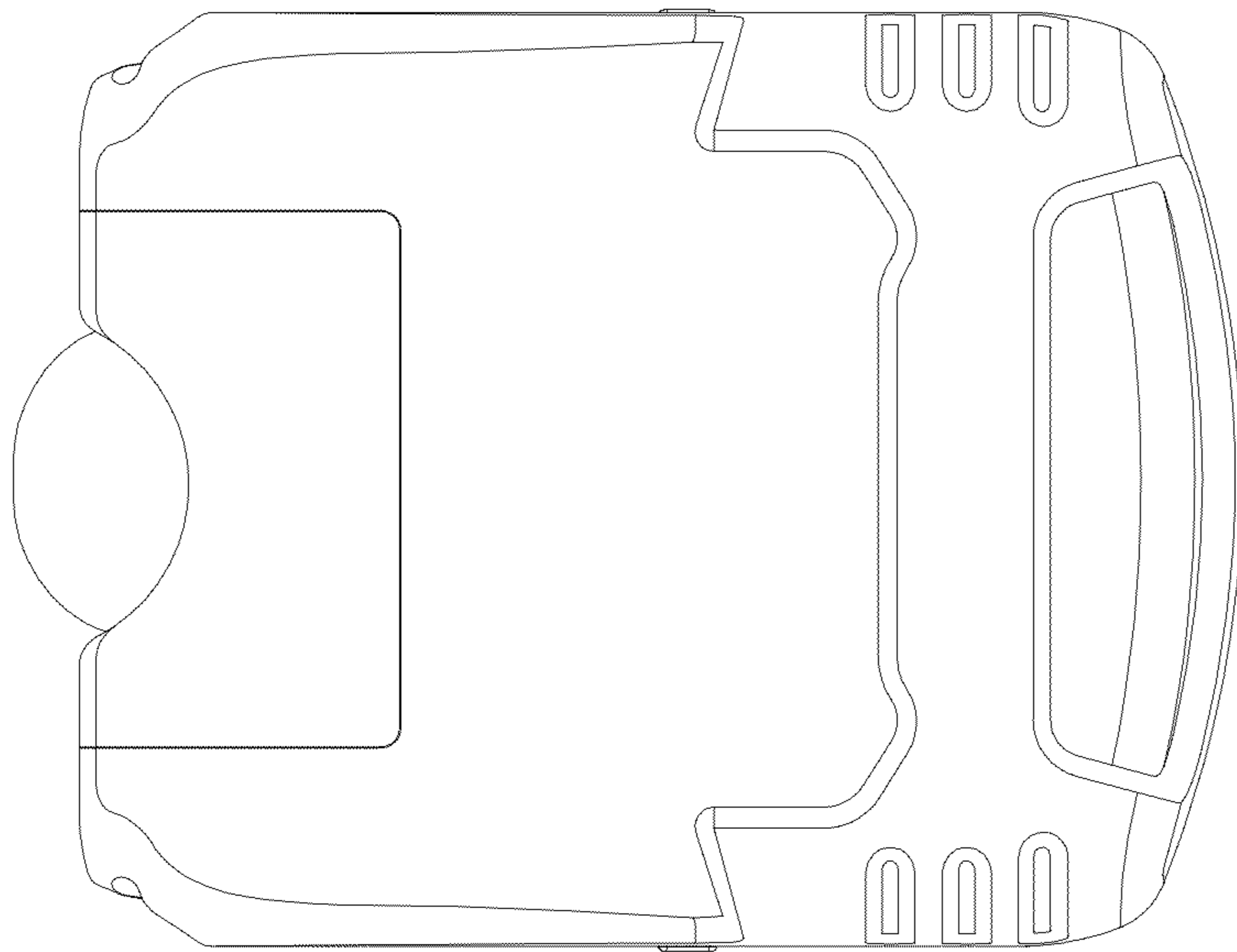


FIG.33

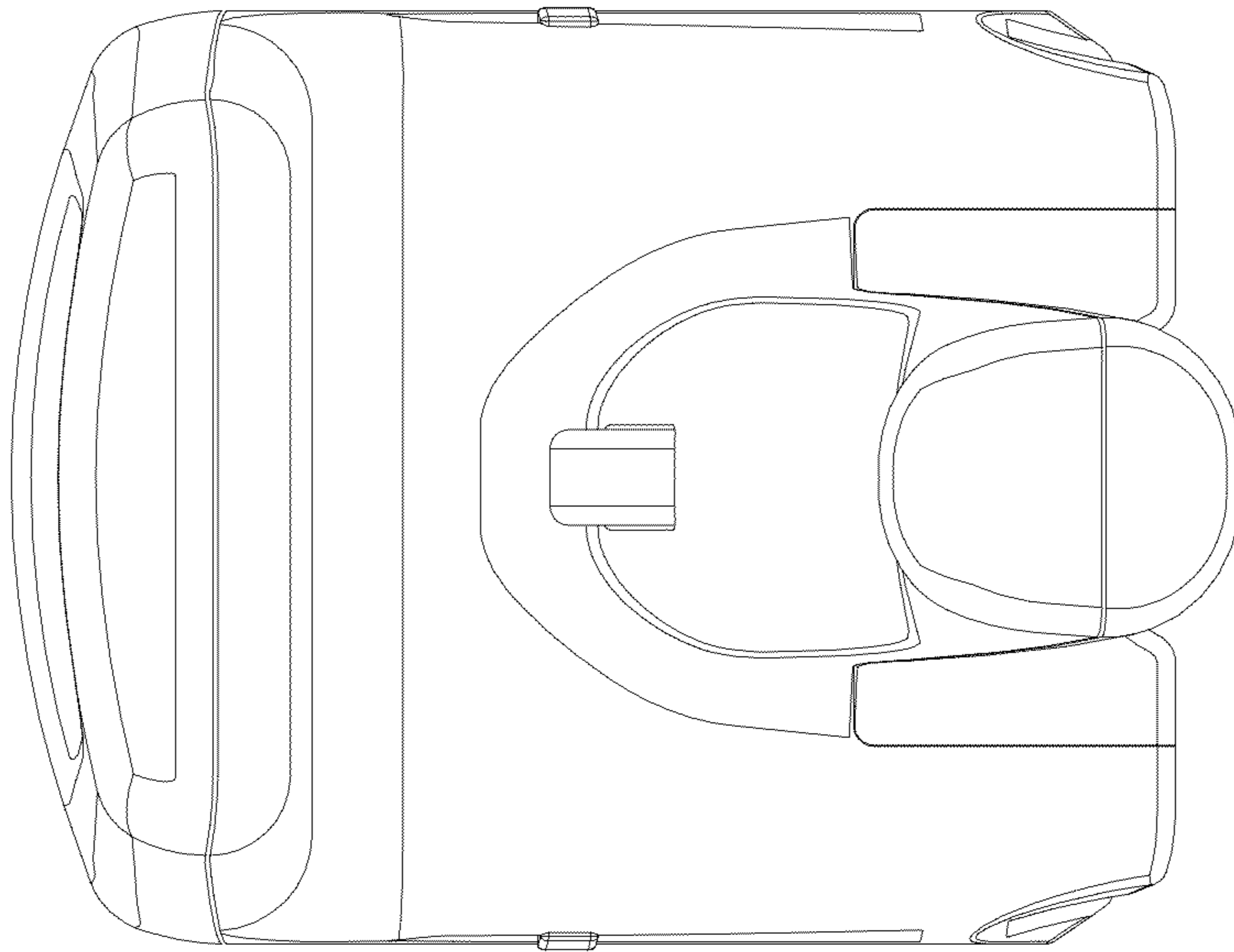


FIG.34

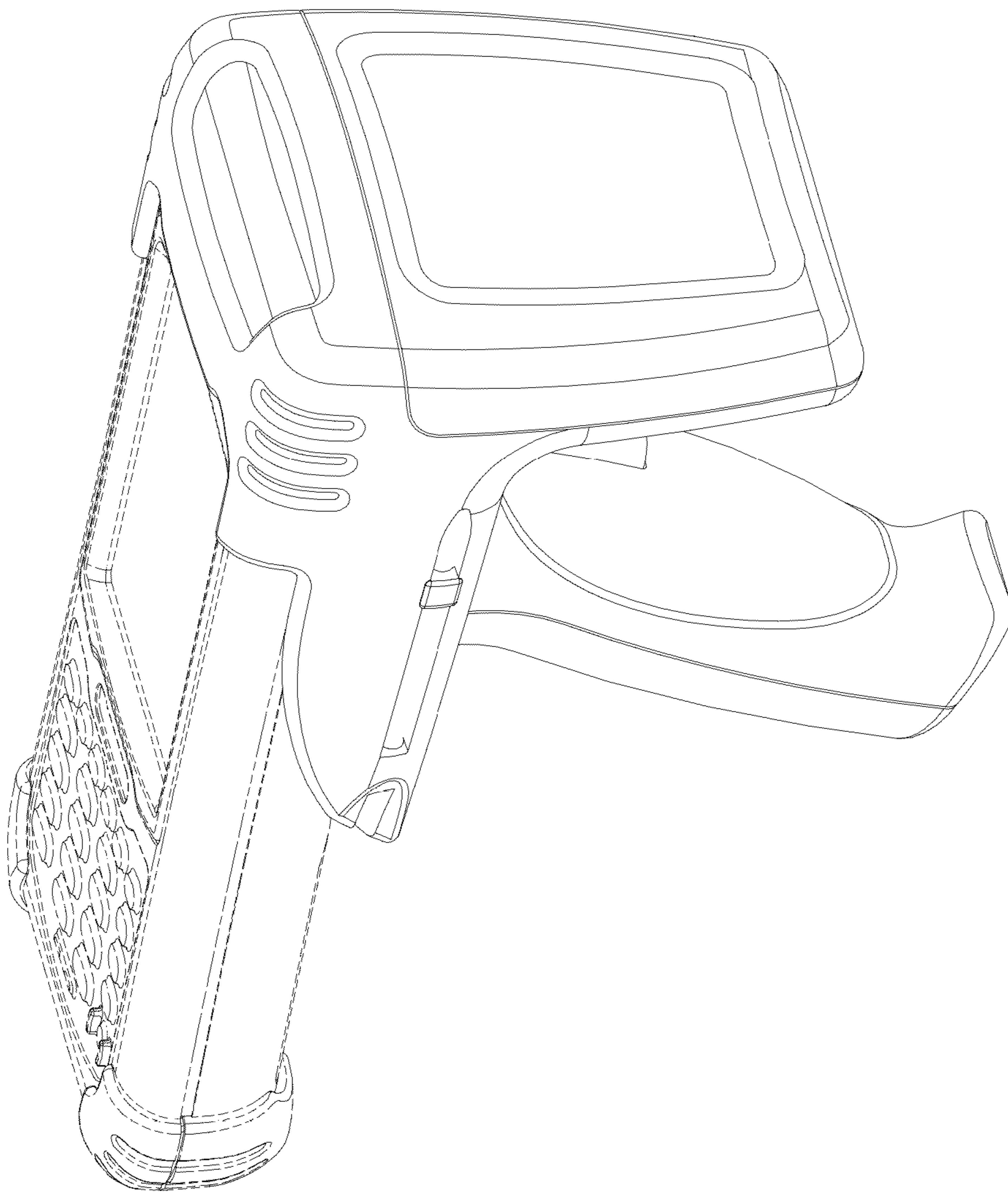


FIG.35

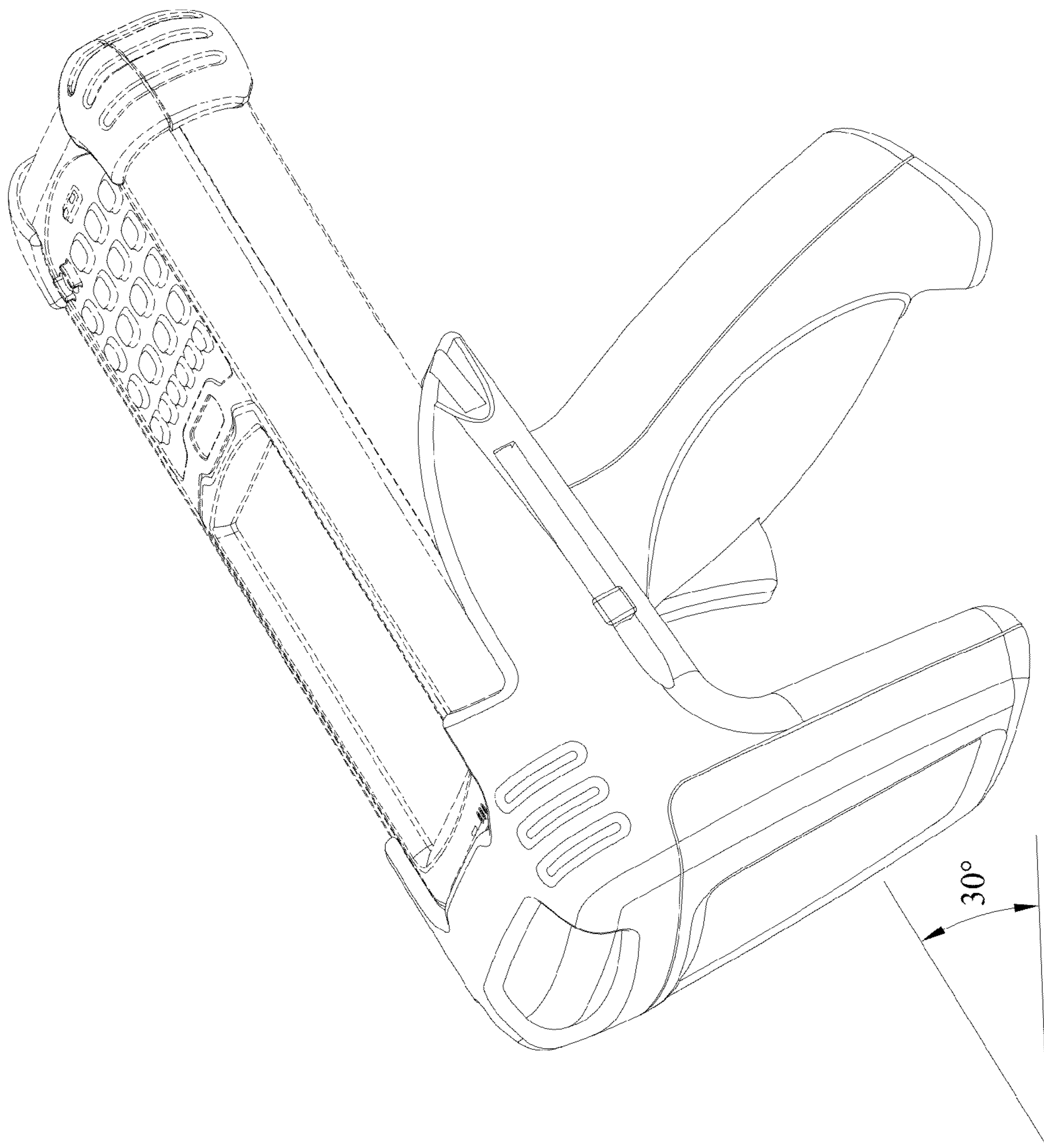


FIG.36