



US00D719954S

(12) **United States Design Patent**  
**Sun et al.**

(10) **Patent No.:** **US D719,954 S**  
(45) **Date of Patent:** **\*\* Dec. 23, 2014**

(54) **BAR CODE READER**

(71) Applicant: **Hon Hai Precision Industry Co., Ltd.**,  
New Taipei (TW)

(72) Inventors: **Zong-Yuan Sun**, New Taipei (TW);  
**Da-Hua Xiao**, Shenzhen (CN)

(73) Assignee: **Hon Hai Precision Industry Co., Ltd.**,  
New Taipei (TW)

(\*\*) Term: **14 Years**

(21) Appl. No.: **29/478,095**

(22) Filed: **Dec. 31, 2013**

(30) **Foreign Application Priority Data**

Dec. 5, 2013 (CN) ..... 2013 3 06001470

(51) **LOC (10) Cl.** ..... **14-02**

(52) **U.S. Cl.**  
USPC ..... **D14/423**

(58) **Field of Classification Search**  
USPC ..... D14/420-425; D16/232, 229, 235, 221,  
D16/135; D18/36; 353/115, 119, 122,  
353/DIG. 3, DIG. 4; 396/155, 133, 86;  
358/474-498; 348/370, 373, 376, 374,  
348/375; 248/187.1, 593, 276.1, 281.11;  
D26/63, 65, 64, 62, 135, 61, 107, 109,  
D26/51

See application file for complete search history.

(56) **References Cited**

**U.S. PATENT DOCUMENTS**

D222,594 S \* 11/1971 Trautmann et al. .... D10/97  
D256,127 S \* 7/1980 Overman ..... D18/36  
D264,581 S \* 5/1982 Mobius ..... D13/101  
4,766,297 A \* 8/1988 McMillan ..... 235/462.07  
5,043,563 A \* 8/1991 Chi et al. .... 235/462.4  
5,140,141 A \* 8/1992 Inagaki et al. .... 235/462.43

5,295,014 A \* 3/1994 Toda ..... 359/202.1  
D386,157 S \* 11/1997 Hasegawa ..... D14/423  
D399,192 S \* 10/1998 Hasegawa ..... D14/423  
5,894,529 A \* 4/1999 Ting ..... 382/312  
D411,833 S \* 7/1999 Iwakawa et al. .... D14/423  
D423,376 S \* 4/2000 McCasland et al. .... D10/46  
6,045,047 A \* 4/2000 Pidhirny et al. .... 235/472.01  
D426,239 S \* 6/2000 Adachi ..... D14/420  
D436,612 S \* 1/2001 Geng ..... D16/232  
6,325,288 B1 \* 12/2001 Spitz ..... 235/462.12  
6,336,587 B1 \* 1/2002 He et al. .... 235/462.45  
D509,507 S \* 9/2005 Myles et al. .... D14/420  
D530,631 S \* 10/2006 Tsuruta et al. .... D10/46  
D628,503 S \* 12/2010 Kasano et al. .... D10/93  
8,072,665 B2 \* 12/2011 Lee et al. .... 359/200.1  
8,169,478 B2 \* 5/2012 Nadabar et al. .... 348/92  
8,284,234 B2 \* 10/2012 Bjelkhagen et al. .... 348/40  
D686,268 S \* 7/2013 Dunn ..... D16/232  
8,550,357 B2 \* 10/2013 Kearney ..... 235/472.02  
8,736,918 B2 \* 5/2014 Kimura ..... 358/474  
D708,183 S \* 7/2014 Thompson et al. .... D14/421

(Continued)

*Primary Examiner* — Susan Moon Lee

(74) *Attorney, Agent, or Firm* — Novak Druce Connolly  
Bove + Quigg LLP

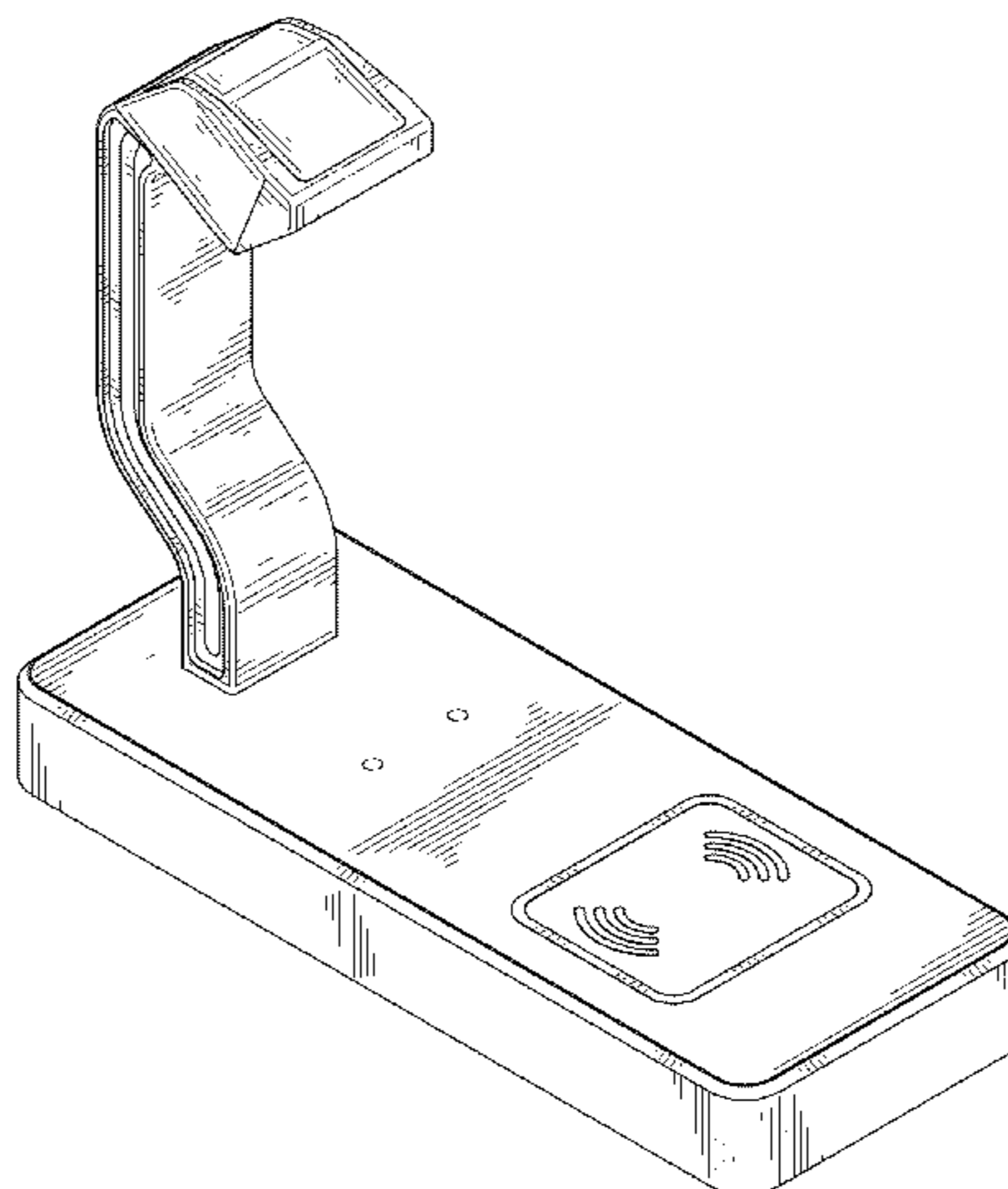
(57) **CLAIM**

The ornamental design for a bar code reader, as shown and  
described.

**DESCRIPTION**

FIG. 1 is a perspective view of a bar code reader showing our  
new design;  
FIG. 2 is a front elevational view thereof;  
FIG. 3 is a rear elevational view thereof;  
FIG. 4 is a left side elevational view thereof;  
FIG. 5 is a right side elevational view thereof;  
FIG. 6 is a top plan view thereof; and,  
FIG. 7 is a bottom plan view thereof.  
The broken lines are for illustrative purposes only and form  
no part of the claimed design.

**1 Claim, 7 Drawing Sheets**



(56)

**References Cited**

U.S. PATENT DOCUMENTS

D709,890 S *	7/2014	Kuroda et al. ....	D14/423	2008/0130077 A1 *	6/2008	Park et al. ....	359/202
8,824,030 B2 *	9/2014	Kanaya .....	358/518	2008/0297590 A1 *	12/2008	Barber et al. ....	348/47
2002/0106137 A1 *	8/2002	Chen et al. ....	382/321	2010/0130853 A1 *	5/2010	Chandonnet et al. ....	600/424
2007/0216982 A1 *	9/2007	Sanders et al. ....	359/201	2010/0202673 A1 *	8/2010	Zhang et al. ....	382/128
				2012/0044326 A1 *	2/2012	Michaelis et al. ....	348/46
				2014/0071250 A1 *	3/2014	Pan et al. ....	348/50

\* cited by examiner

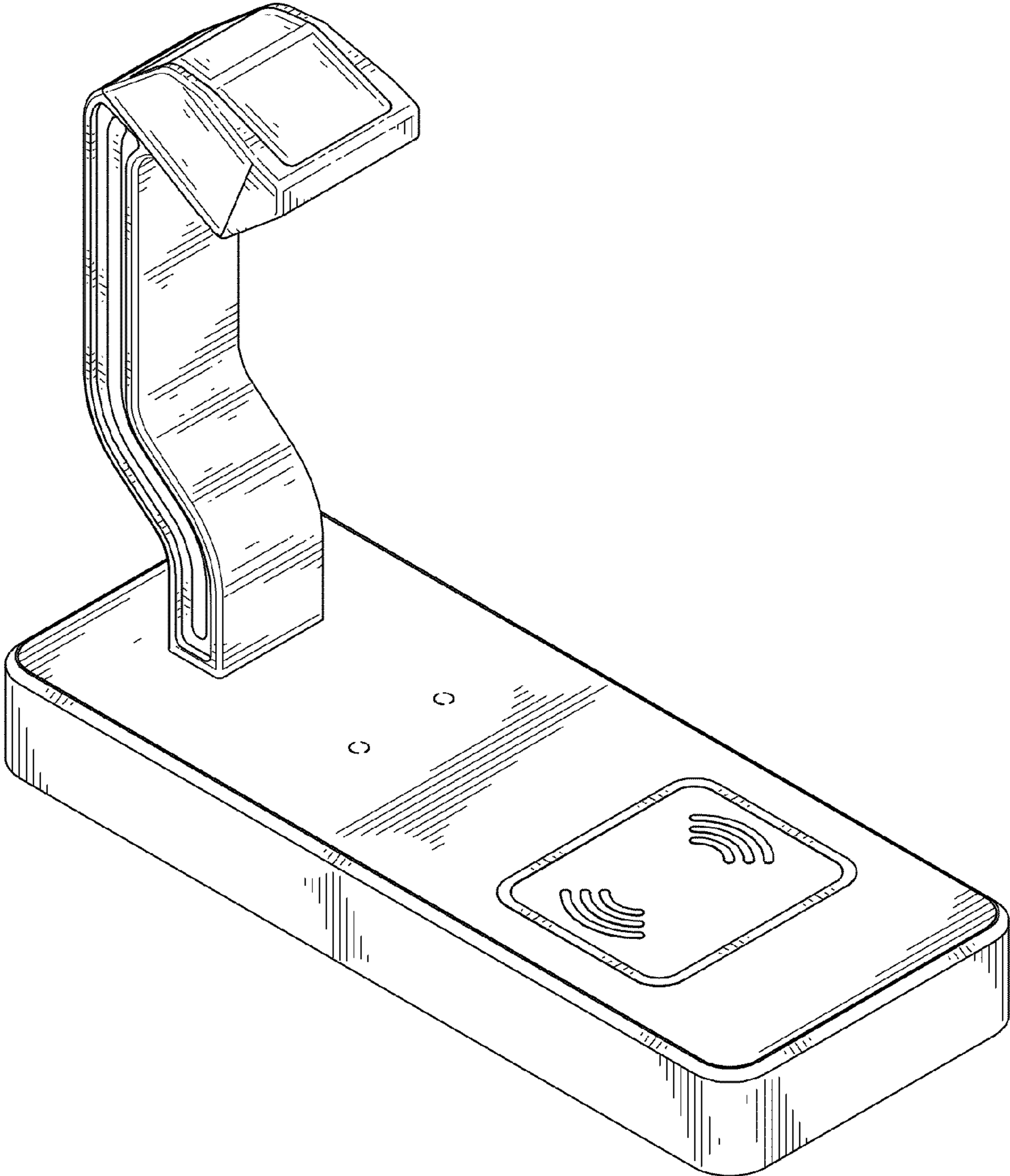


FIG. 1

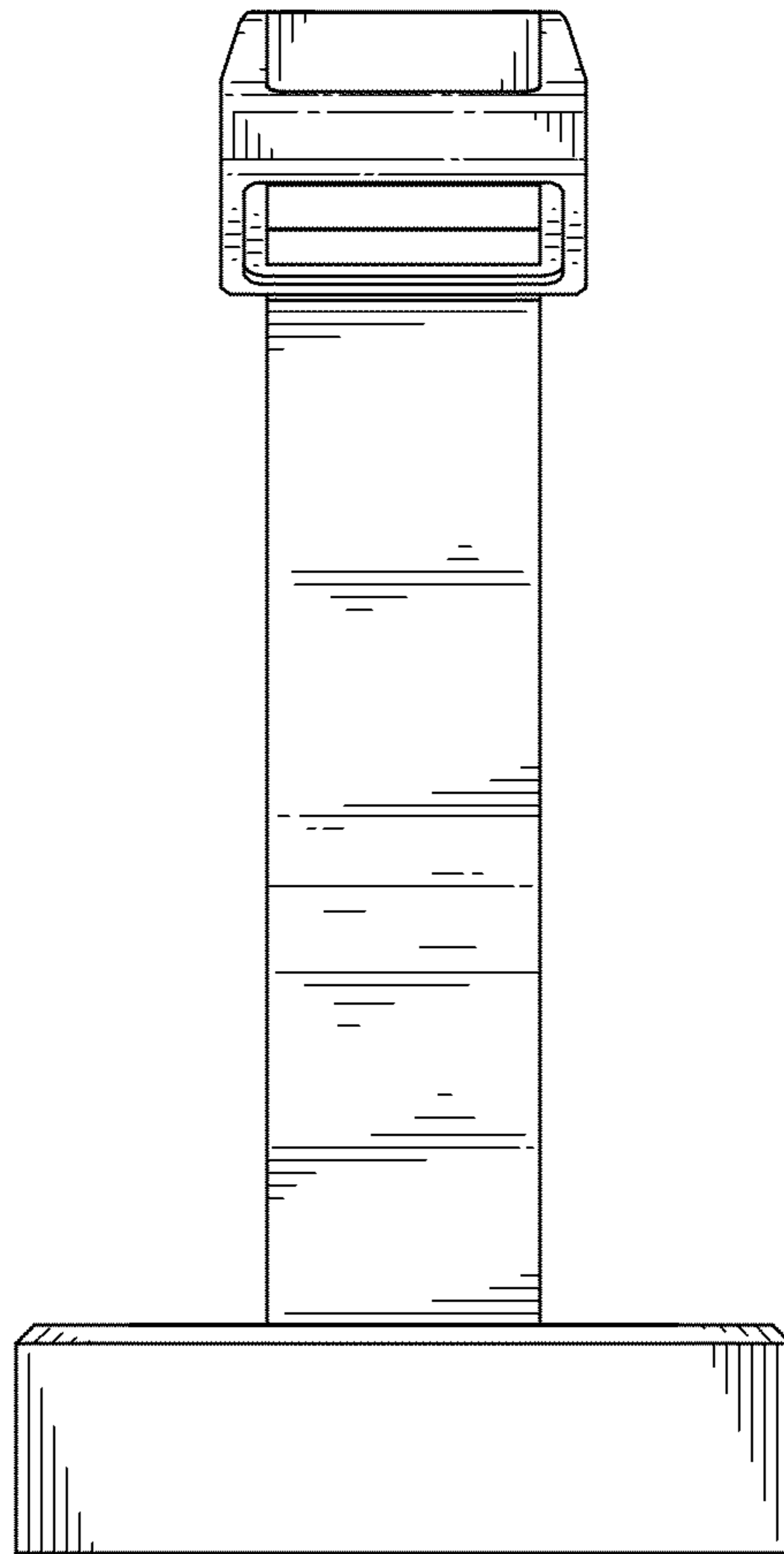


FIG. 2

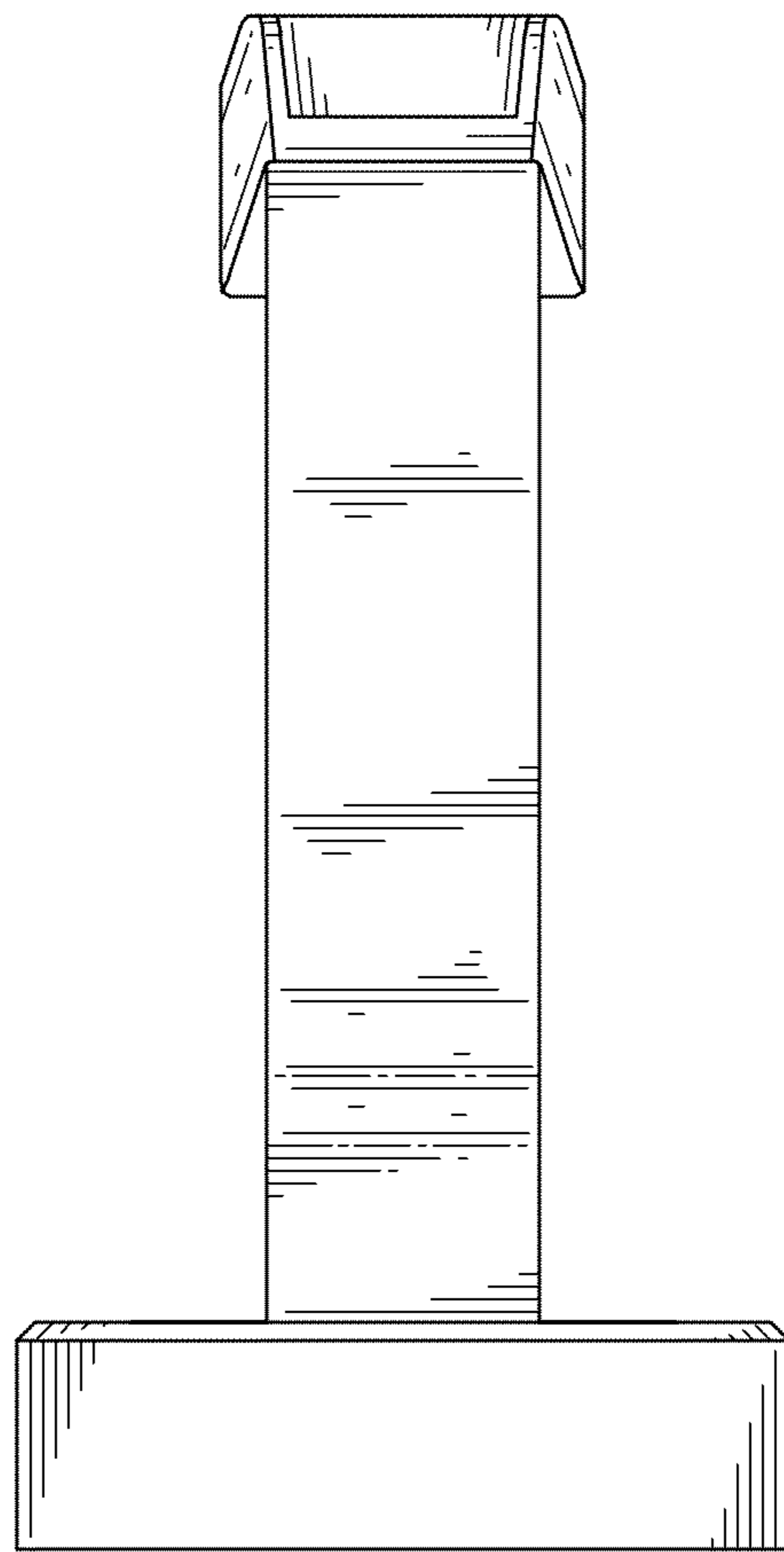


FIG. 3

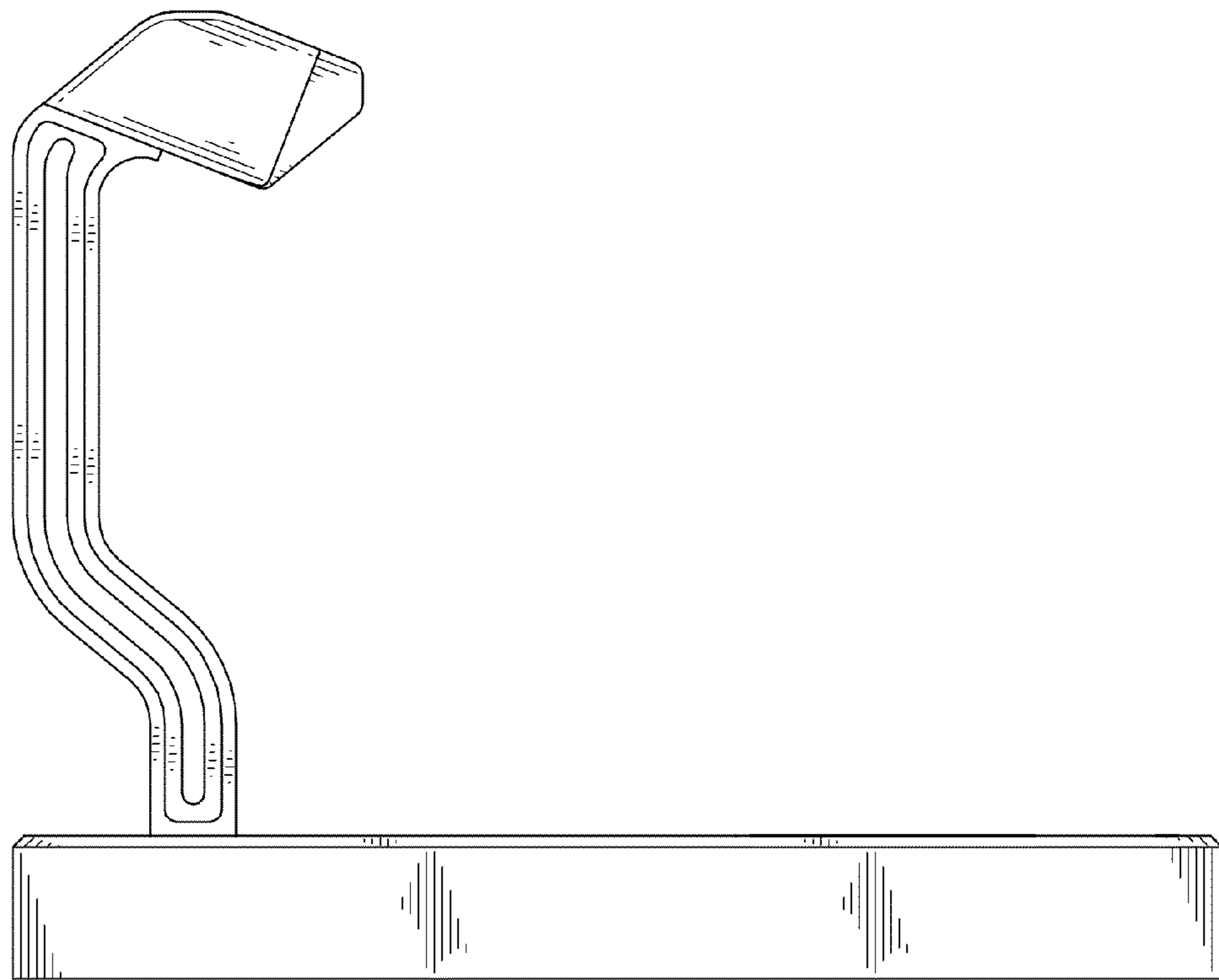


FIG. 4

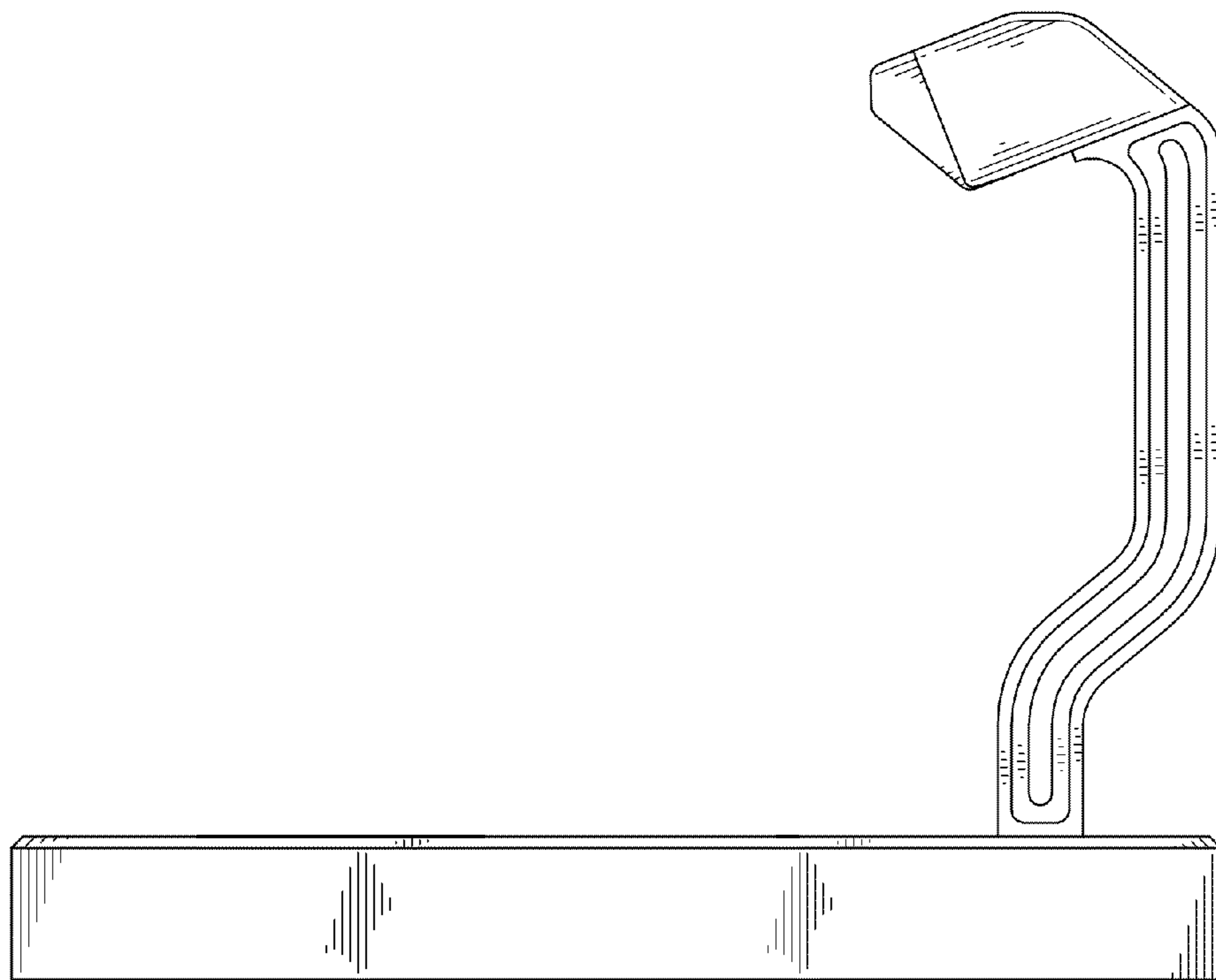


FIG. 5

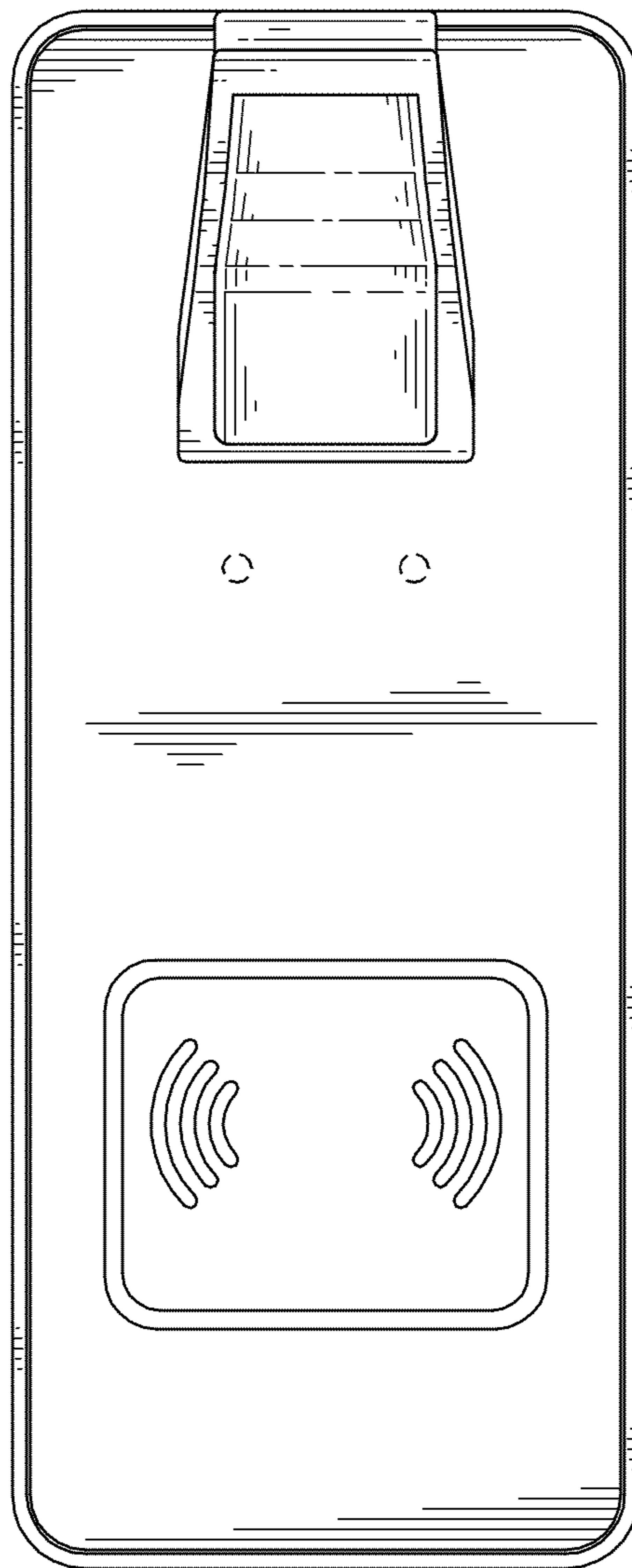


FIG. 6



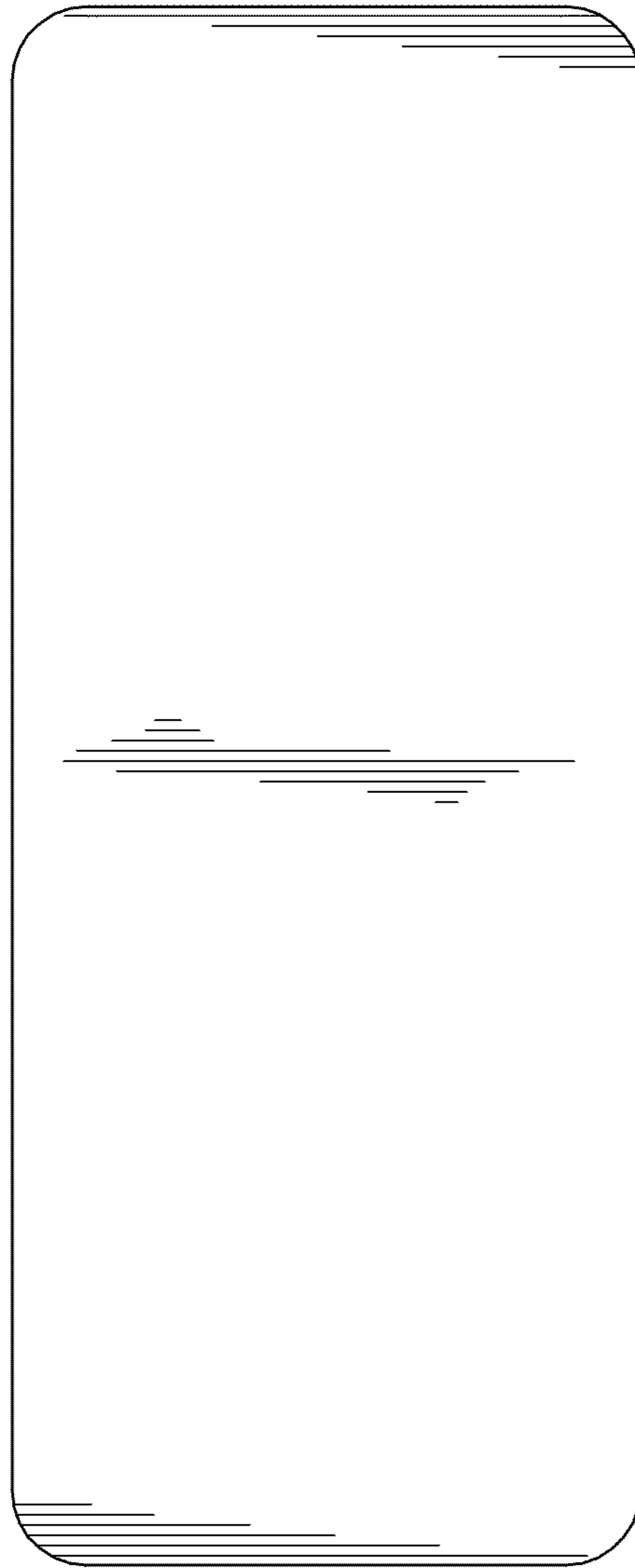


FIG. 7