



US00D719935S

(12) **United States Design Patent**  
**Diamond**

(10) **Patent No.:** **US D719,935 S**  
(45) **Date of Patent:** **\*\* Dec. 23, 2014**

(54) **REMOTE CONTROL**

(71) Applicant: **Lawrence Diamond**, Westmount (CA)

(72) Inventor: **Lawrence Diamond**, Westmount (CA)

(\*\*) Term: **14 Years**

(21) Appl. No.: **29/481,505**

(22) Filed: **Feb. 6, 2014**

**Related U.S. Application Data**

(63) Continuation of application No. 29/468,385, filed on Sep. 30, 2013, now Pat. No. Des. 699,224.

(51) **LOC (10) Cl.** ..... **14-03**

(52) **U.S. Cl.**  
USPC ..... **D14/218**

(58) **Field of Classification Search**  
USPC ..... D13/168; D14/218, 496, 455; D16/235;  
D24/174; D10/104, 106; 345/169;  
340/825.24, 12.22, 3.2; 348/14.05,  
348/114, 211.99, 734; 341/22, 176; 455/92,  
455/95, 128, 151.1–151.4, 352, 355  
See application file for complete search history.

(56) **References Cited**

**U.S. PATENT DOCUMENTS**

D333,295 S *	2/1993	Weber	.....	D13/168
D341,837 S	11/1993	Curbbun		
D362,660 S *	9/1995	Fromson	.....	D13/168
5,481,251 A	1/1996	Buys et al.		
5,481,256 A *	1/1996	Darbee et al.	.....	341/176
D372,245 S *	7/1996	Brooks	.....	D14/218
D379,184 S *	5/1997	Luciano et al.	.....	D14/218
D382,272 S *	8/1997	Shiono	.....	D14/218
D401,911 S	12/1998	Hwang		
D405,796 S *	2/1999	Uehara	.....	D14/218
D407,695 S	4/1999	Hwang		
D423,509 S	4/2000	Park		
D452,520 S	12/2001	Gotham et al.		
D460,052 S *	7/2002	Olen	.....	D13/168

D466,541 S	12/2002	Yang et al.		
D468,274 S *	1/2003	Novak	.....	D13/168
D475,026 S *	5/2003	Buczek et al.	.....	D13/168
D480,056 S *	9/2003	Arcieri	.....	D13/168
D482,664 S *	11/2003	Hunt et al.	.....	D13/168
D496,031 S	9/2004	Ma et al.		
D496,653 S	9/2004	Townsend et al.		
D517,023 S	3/2006	Kumagai		

(Continued)

**FOREIGN PATENT DOCUMENTS**

CN	3019996543	*	7/2012
JP	D1465537	*	5/2012

**OTHER PUBLICATIONS**

Tek Pal—Universal Large ButtonTv Remote. Announced Feb. 5, 2011,[Site Visited Oct. 30, 2014] [http://magnifyingaids.com/Tek\\_Pal\\_Universal\\_Large\\_Button\\_TV\\_Remote\\_Control.\\*](http://magnifyingaids.com/Tek_Pal_Universal_Large_Button_TV_Remote_Control.*)

(Continued)

*Primary Examiner* — John Windmuller  
*Assistant Examiner* — Luqman McNeil  
(74) *Attorney, Agent, or Firm* — Sheridan Ross P.C.

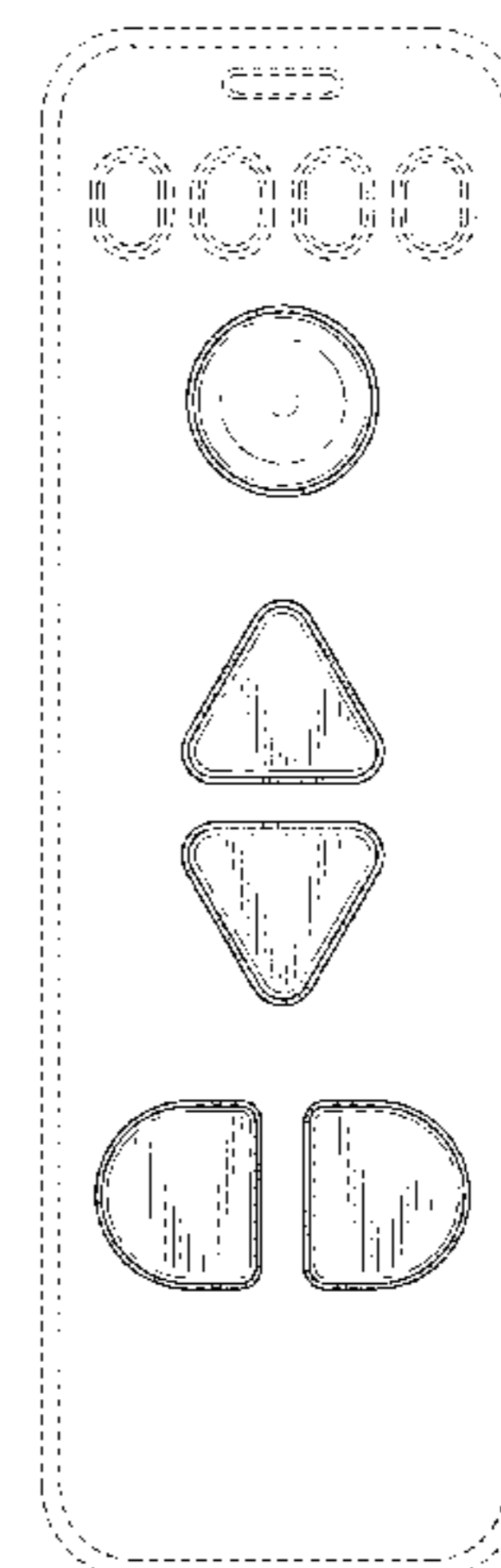
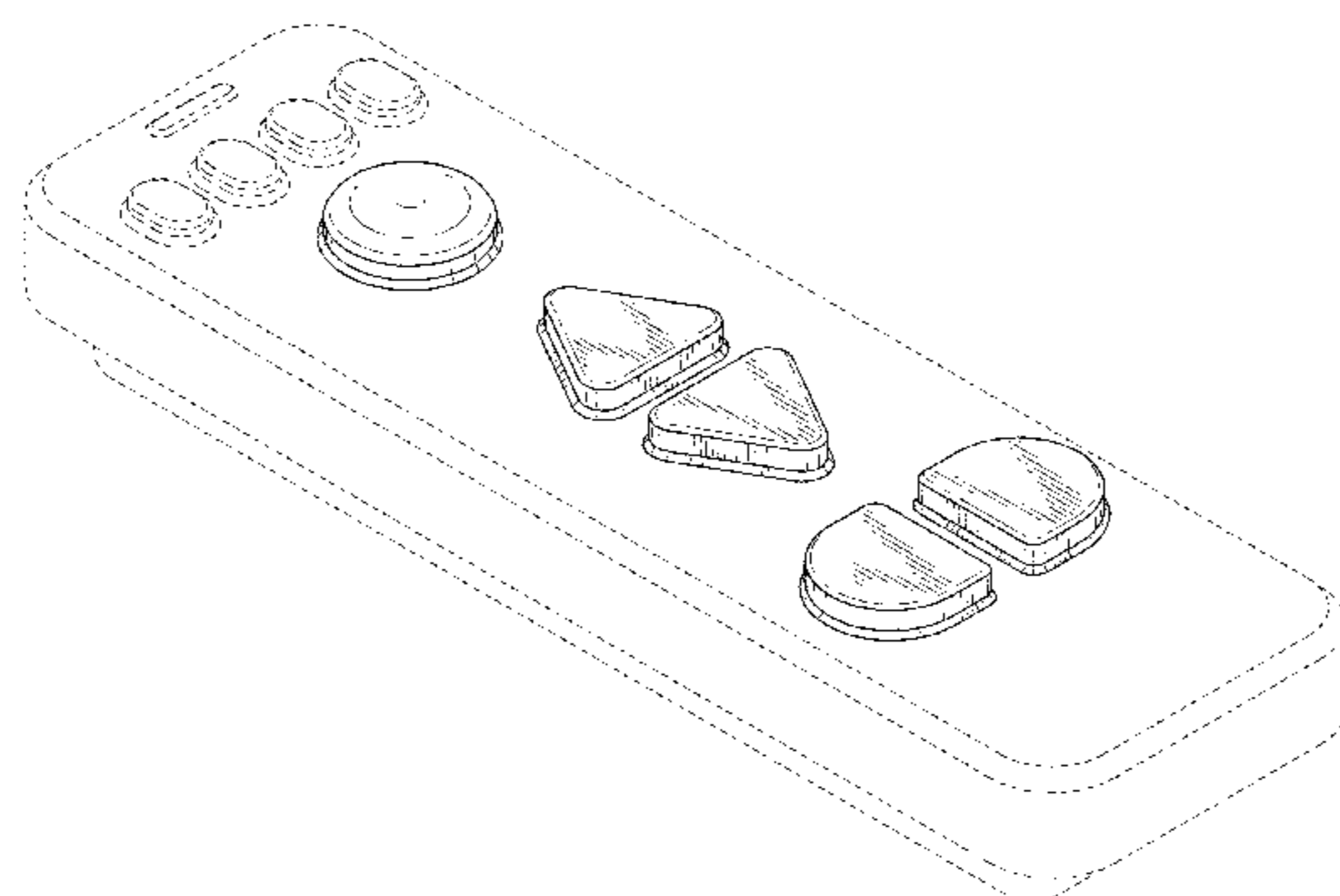
(57) **CLAIM**

The ornamental design for a remote control, as shown and described.

**DESCRIPTION**

FIG. 1 is a perspective view of the remote control showing the new design;  
FIG. 2 is a front elevation view thereof;  
FIG. 3 is a right elevation view thereof, the left elevation view being a mirror image thereof; and  
FIG. 4 is a top plan view thereof; and,  
FIG. 5 is a bottom plan view thereof.  
The broken lines depict environment and comprise no part of the claimed design.

**1 Claim, 3 Drawing Sheets**



(56)

**References Cited**

U.S. PATENT DOCUMENTS

D520,996 S 5/2006 Deng  
 D526,623 S \* 8/2006 Yin et al. .... D13/168  
 D530,680 S 10/2006 Fox et al.  
 D543,537 S \* 5/2007 Chau ..... D14/218  
 D546,782 S 7/2007 Poulet et al.  
 D548,195 S 8/2007 Poulet  
 D567,379 S 4/2008 Svensson  
 D567,801 S 4/2008 Trappler  
 D577,715 S 9/2008 Lim et al.  
 D581,943 S 12/2008 Pedersen et al.  
 D595,668 S 7/2009 Lasky et al.  
 D602,880 S \* 10/2009 Tseng ..... D13/168  
 D604,723 S 11/2009 Bodley et al.  
 D614,607 S 4/2010 Kamegi  
 D621,371 S \* 8/2010 Sheppard et al. .... D13/168  
 D633,447 S \* 3/2011 Schaal et al. .... D13/168  
 8,026,789 B2 9/2011 Harris et al.

D652,819 S 1/2012 Behar  
 D653,240 S 1/2012 Wakata  
 D661,688 S 6/2012 Weitgasser  
 D663,289 S 7/2012 Murchison et al.  
 D672,727 S \* 12/2012 McCullar et al. .... D13/168  
 D680,972 S 4/2013 Hunter et al.  
 D688,214 S 8/2013 Ducret et al.  
 8,531,276 B2 \* 9/2013 Harris et al. .... 340/12.22  
 D697,036 S \* 1/2014 Kay et al. .... D13/168  
 D699,224 S 2/2014 Diamond  
 D710,313 S \* 8/2014 Charleux ..... D13/168  
 D710,828 S \* 8/2014 Liu et al. .... D14/218  
 8,797,149 B2 \* 8/2014 Harris et al. .... 340/12.22

OTHER PUBLICATIONS

Notice of Allowance for U.S. Appl. No. 29/468,385 mailed Nov. 22, 2013, 10 pages.

\* cited by examiner

FIG. 1

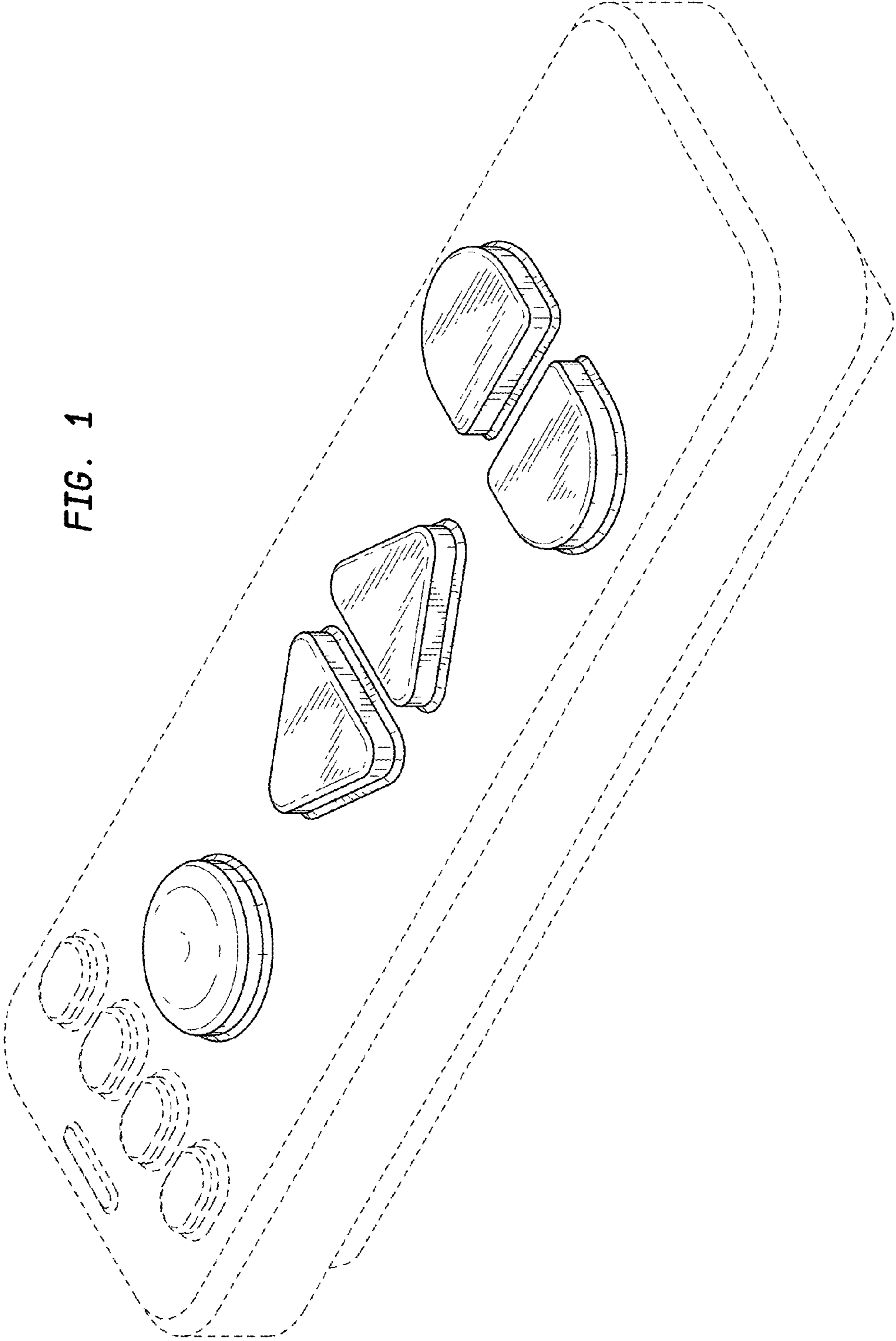


FIG. 2

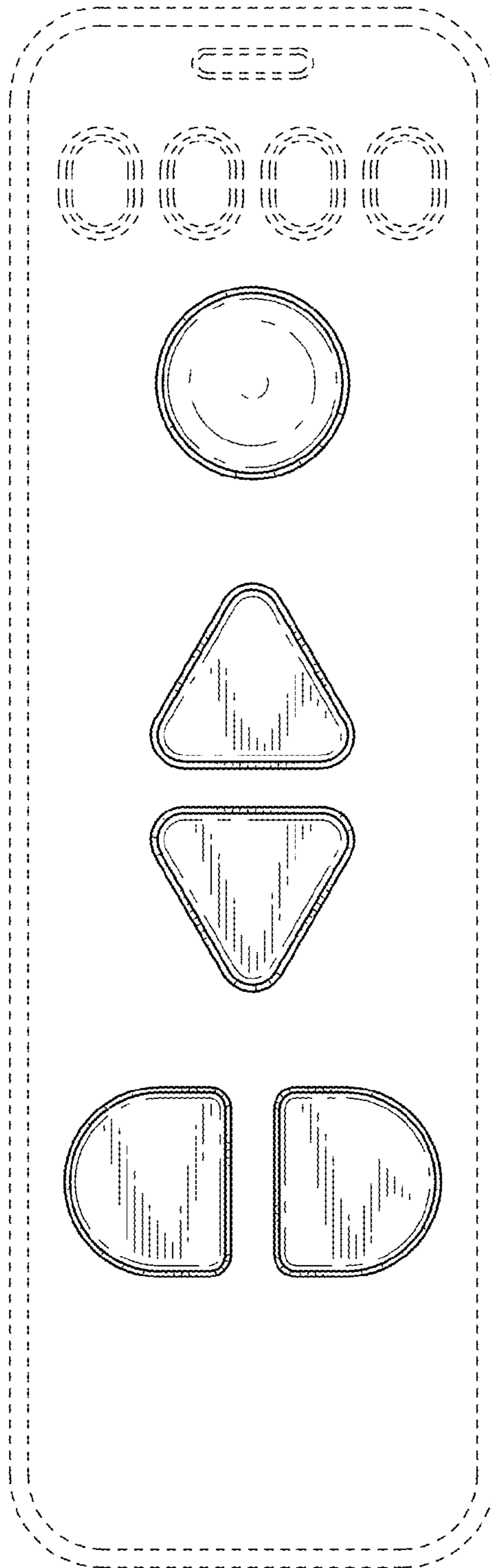


FIG. 3

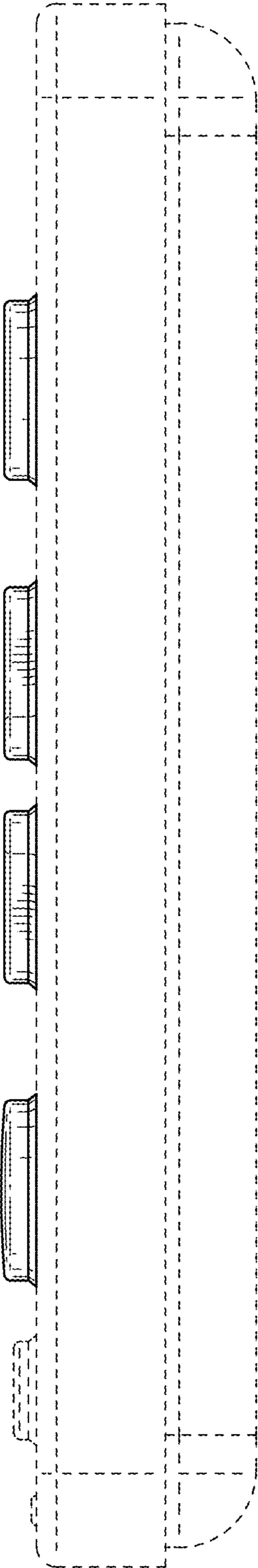


FIG. 4

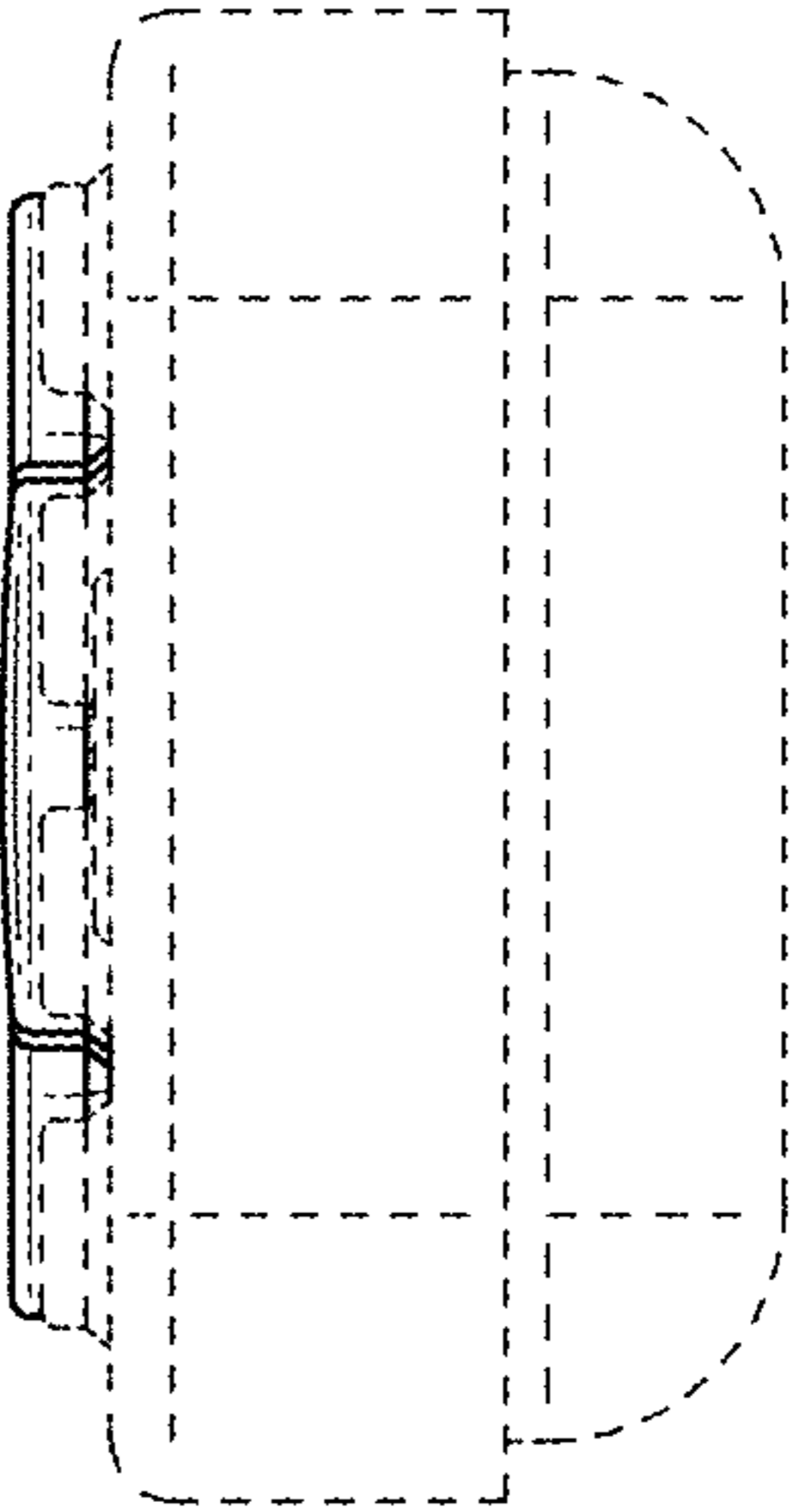


FIG. 5

