



US00D719933S

(12) **United States Design Patent**
Kane

(10) **Patent No.:** **US D719,933 S**

(45) **Date of Patent:** **** Dec. 23, 2014**

(54) **SPEAKER**

(71) Applicant: **Roland Corporation**, Shizuoka (JP)

(72) Inventor: **Kazuhiro Kane**, Ishikawa (JP)

(73) Assignee: **Roland Corporation**, Shizuoka (JP)

(**) Term: **14 Years**

(21) Appl. No.: **29/482,023**

(22) Filed: **Feb. 13, 2014**

(51) **LOC (10) Cl.** **14-03**

(52) **U.S. Cl.**
USPC **D14/214**; D14/194

(58) **Field of Classification Search**
USPC D14/167, 168, 170–172, 188, 194–196,
D14/204, 207, 209.1, 210–216, 219, 221,
D14/222, 224, 496; 181/143, 144, 147, 148,
181/150, 153, 157, 198, 199; 381/300–303,
381/306, 332, 333, 336, 345, 361–364,
381/386–388; 369/6–12
See application file for complete search history.

(56) **References Cited**

U.S. PATENT DOCUMENTS

D222,476 S *	10/1971	Ohyama et al.	D14/210
D246,174 S *	10/1977	Griffin, Jr.	D14/214
D247,489 S *	3/1978	Jabara	D14/214
D410,465 S *	6/1999	Johnson et al.	D14/188
D421,438 S *	3/2000	Bothe	D14/214
D468,724 S *	1/2003	Nugent et al.	D14/214
D495,012 S *	8/2004	Morimoto	D14/188
D546,814 S *	7/2007	Takita et al.	D14/168

D581,902 S	12/2008	Morimoto	
D582,391 S	12/2008	Morimoto	
D614,201 S *	4/2010	Strauser D14/497
D673,526 S *	1/2013	Gander et al. D14/214

OTHER PUBLICATIONS

“Office Action of Japan Counterpart Application”, issued on Apr. 15, 2014, with English translation thereof, p. 1-p. 4, in which “Speaker Box” was cited.

Player Corporation, “Speaker Box”, Young Mates Music Player, May 5, 2001, p. 181, No. 423, vol. 33.

Crate, <http://www.crateamps.com/products/pindex.php?prodID=26>, retrieved on May 8, 2014. “TX50DB.”

* cited by examiner

Primary Examiner — Keli L Hill

(74) *Attorney, Agent, or Firm* — Jianq Chyun IP Office

(57) **CLAIM**

The ornamental design for a speaker, as shown and described.

DESCRIPTION

FIG. 1 is a perspective view of a speaker showing my new design;

FIG. 2 is a front view thereof;

FIG. 3 is a rear view thereof;

FIG. 4 is a left side view thereof;

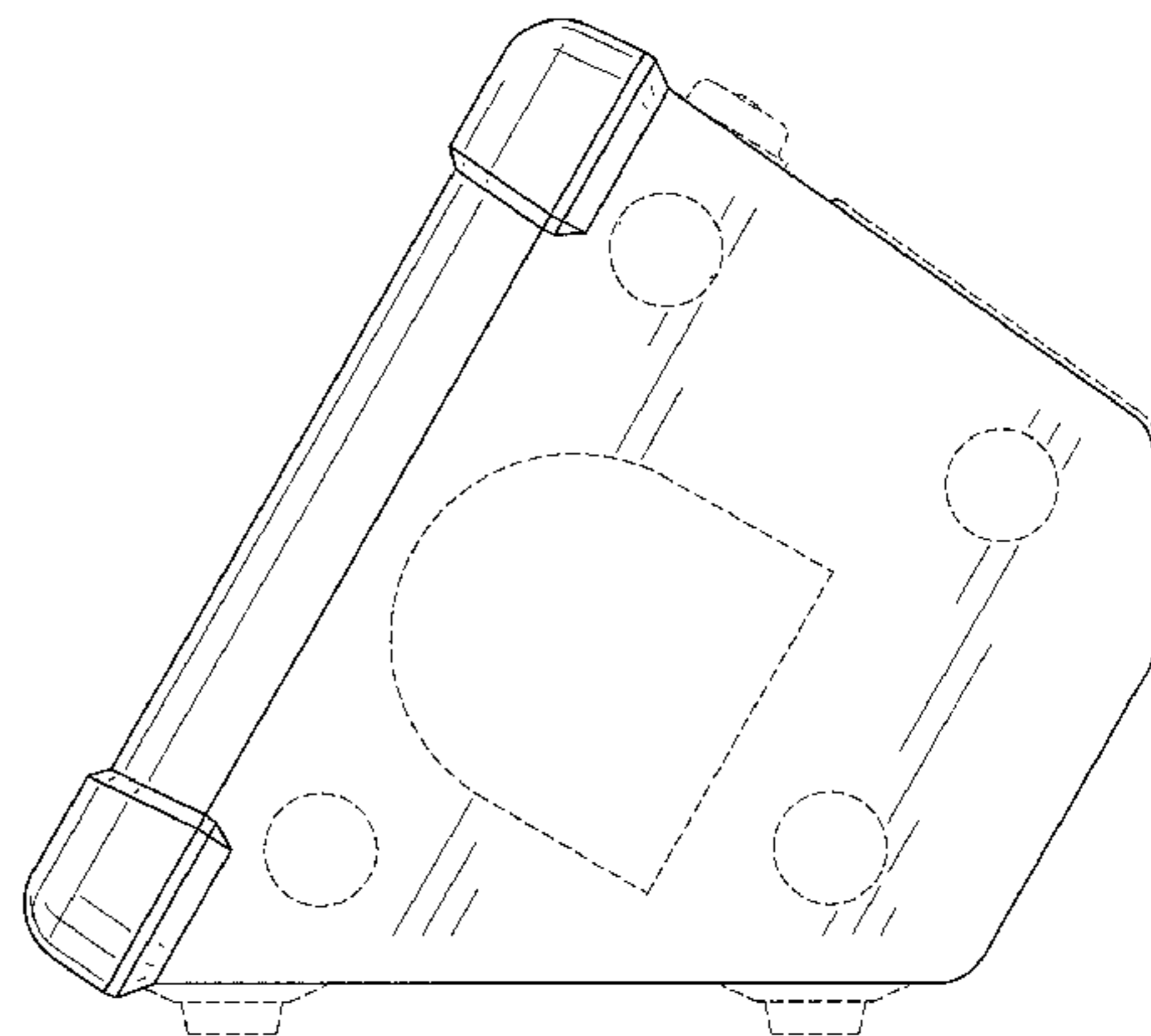
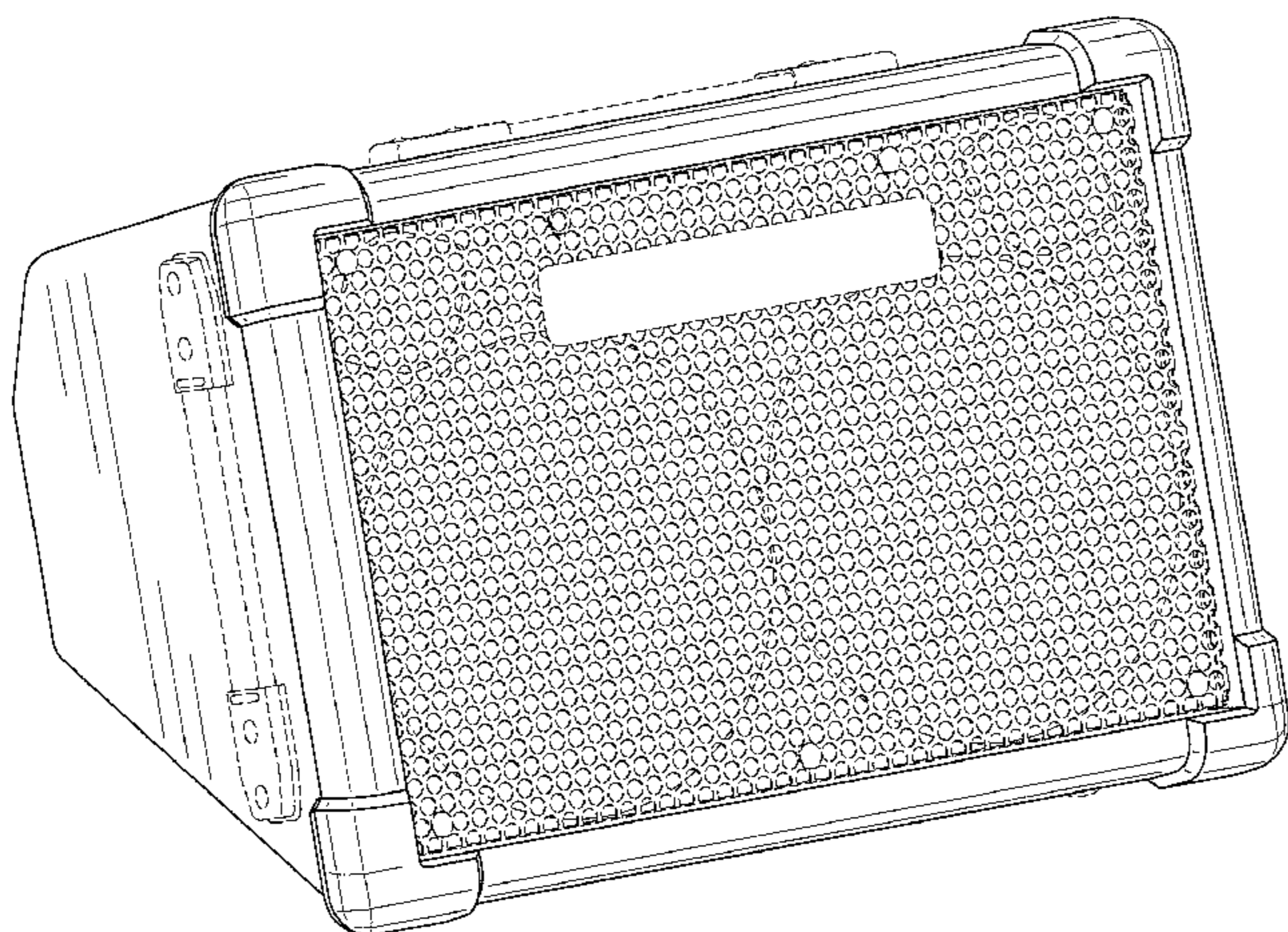
FIG. 5 is a right side view thereof;

FIG. 6 is a top view thereof; and,

FIG. 7 is a bottom view thereof.

The broken line portions of the speaker in the drawing represent unclaimed portions of the design and form no part thereof.

1 Claim, 7 Drawing Sheets



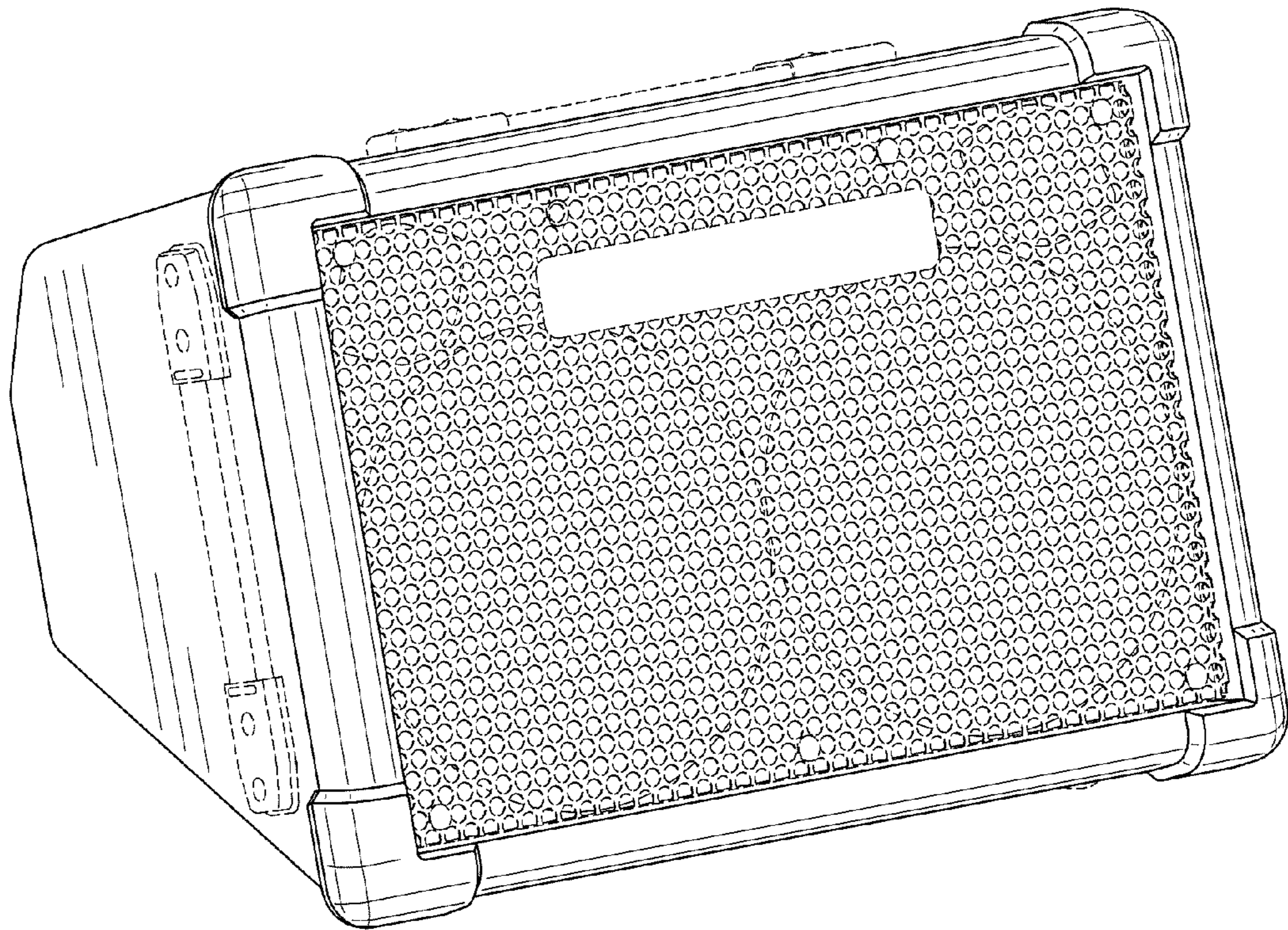


FIG. 1

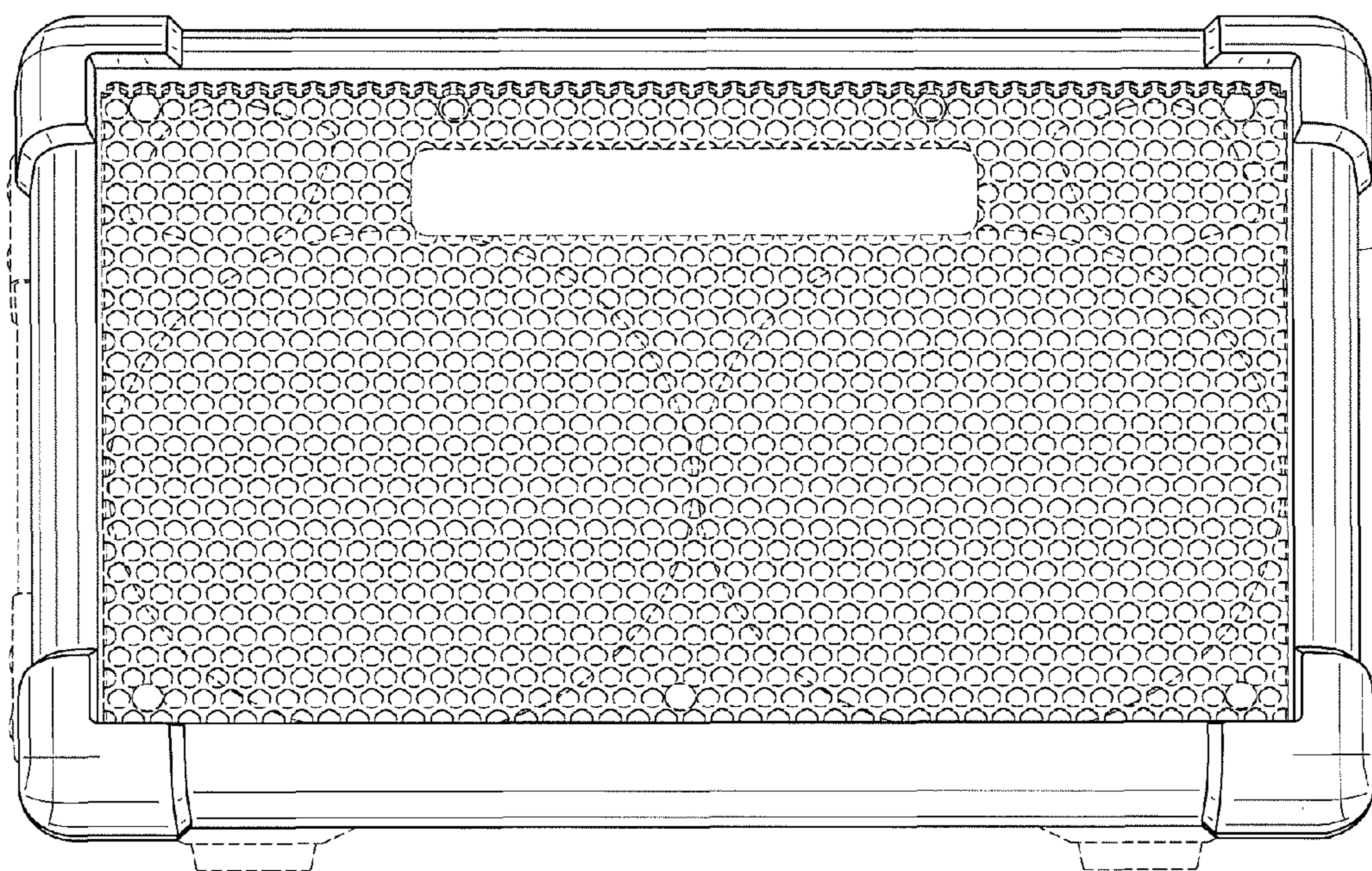


FIG. 2

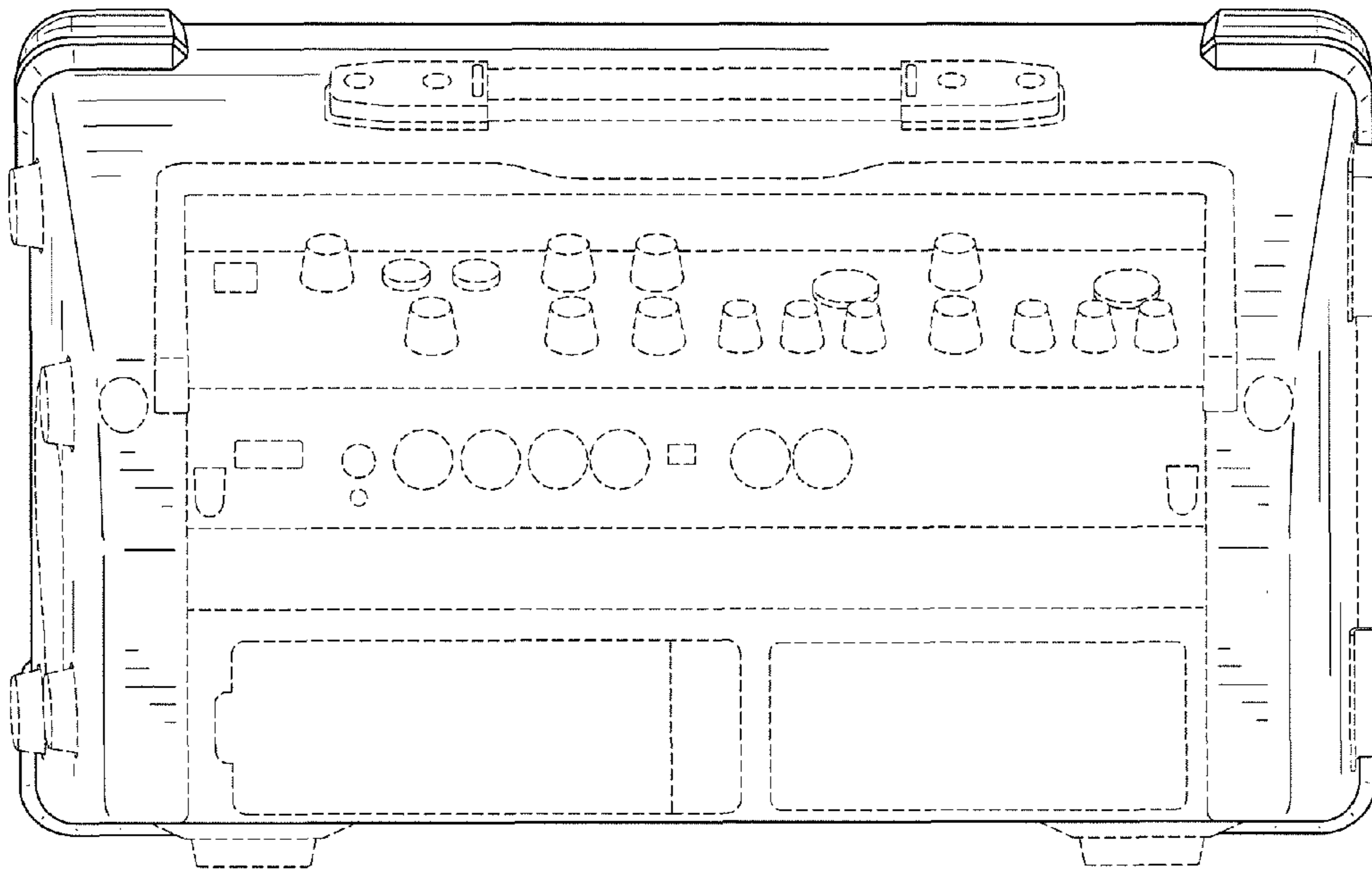


FIG. 3

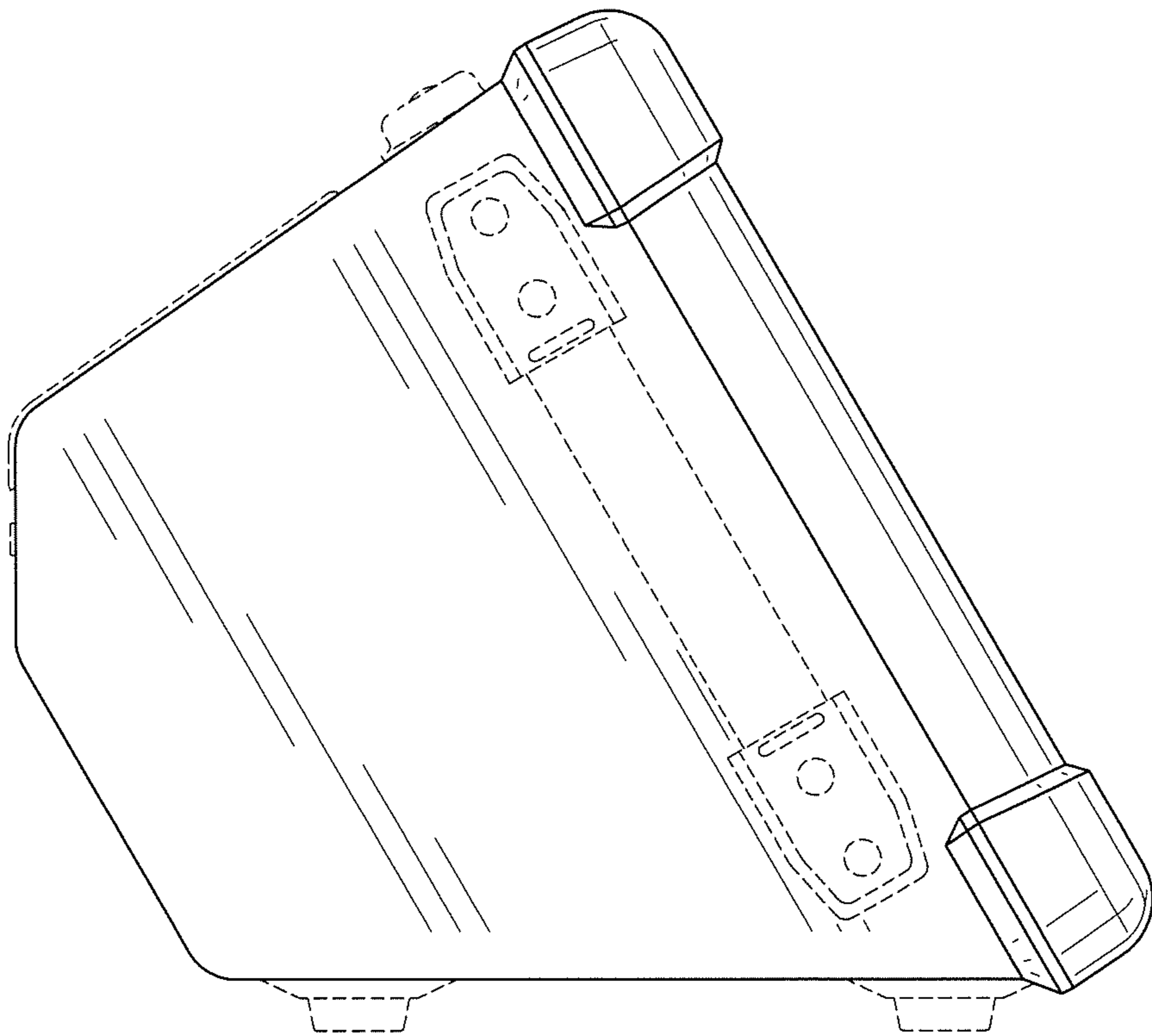


FIG. 4

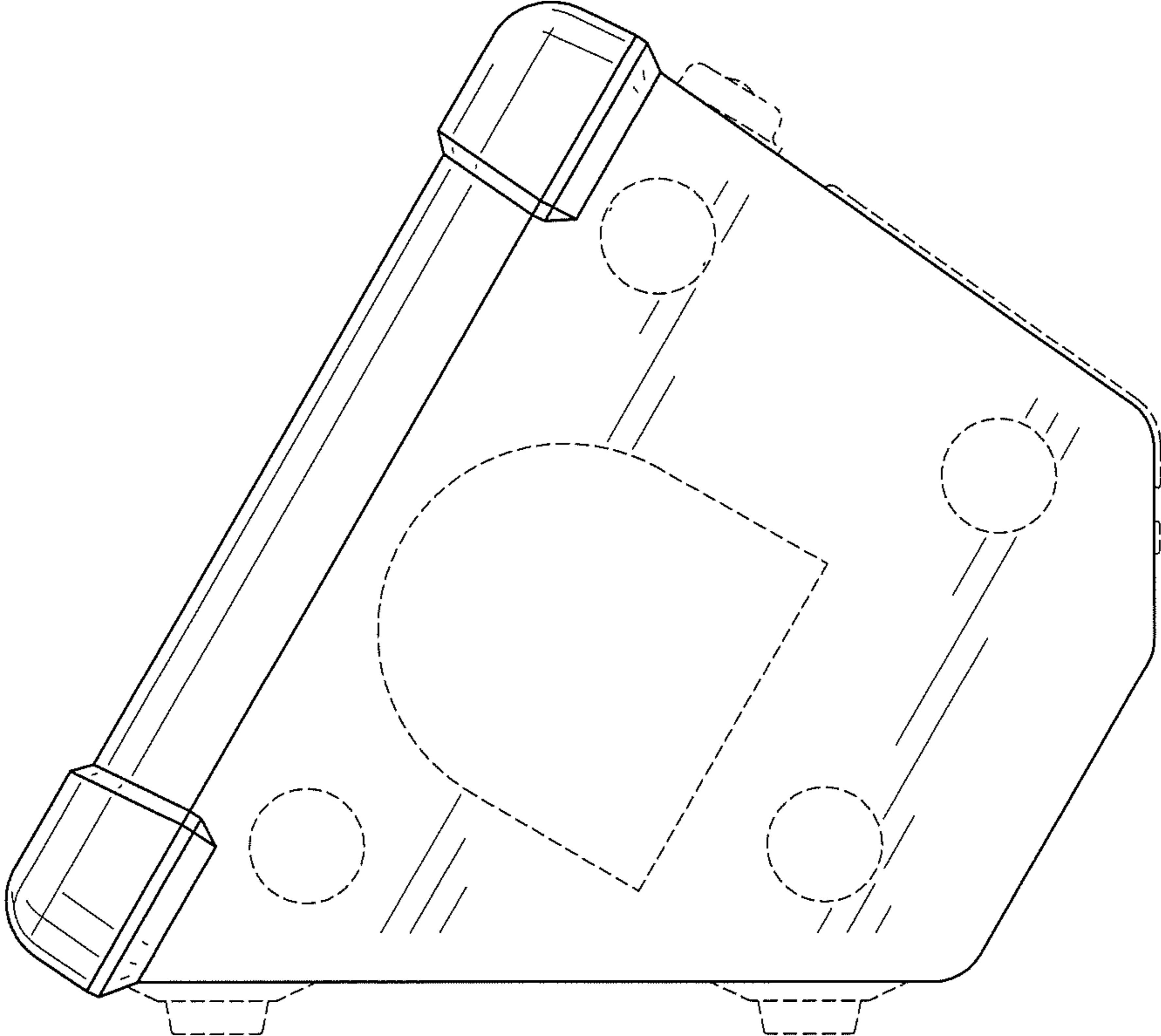


FIG. 5

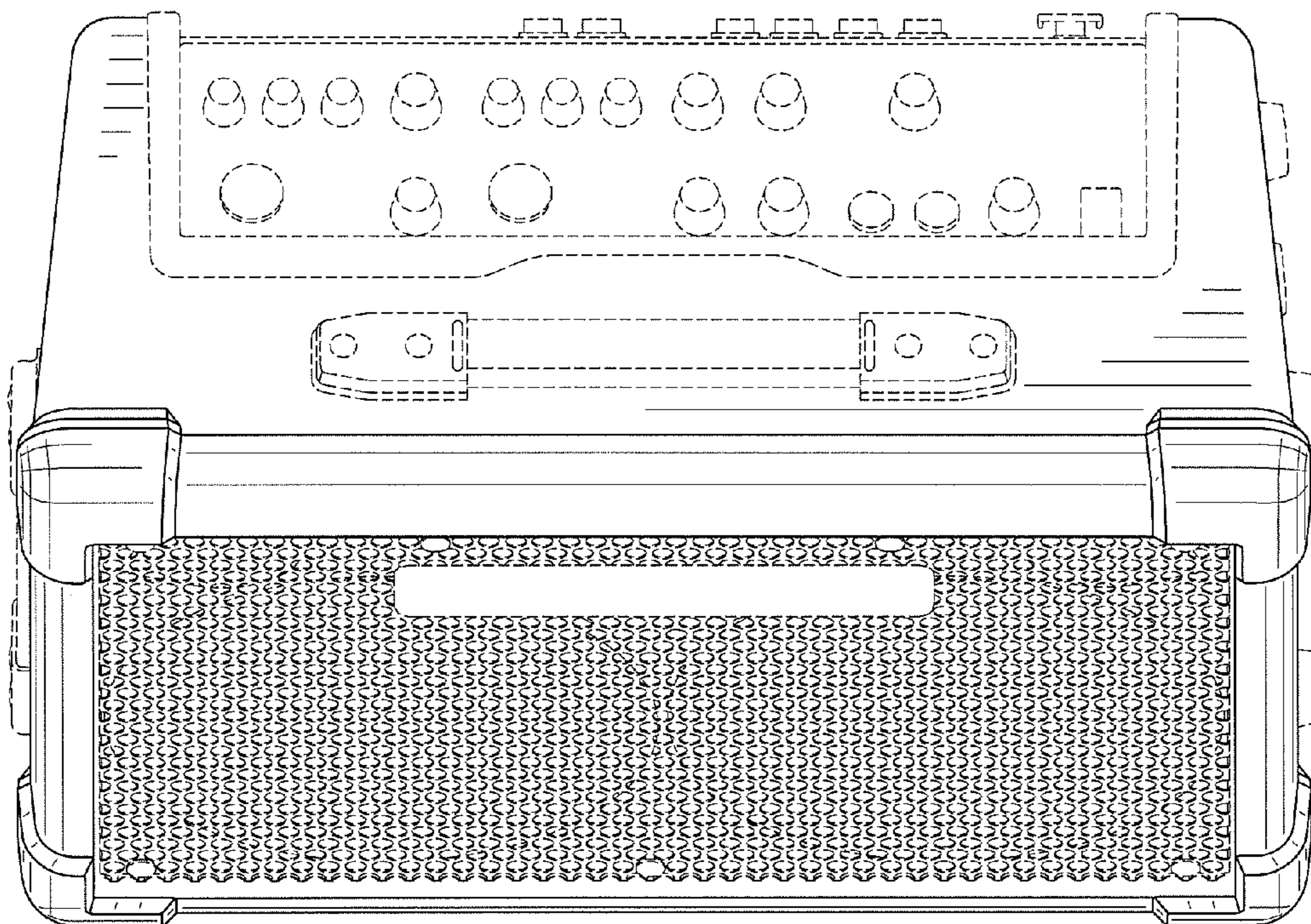


FIG. 6

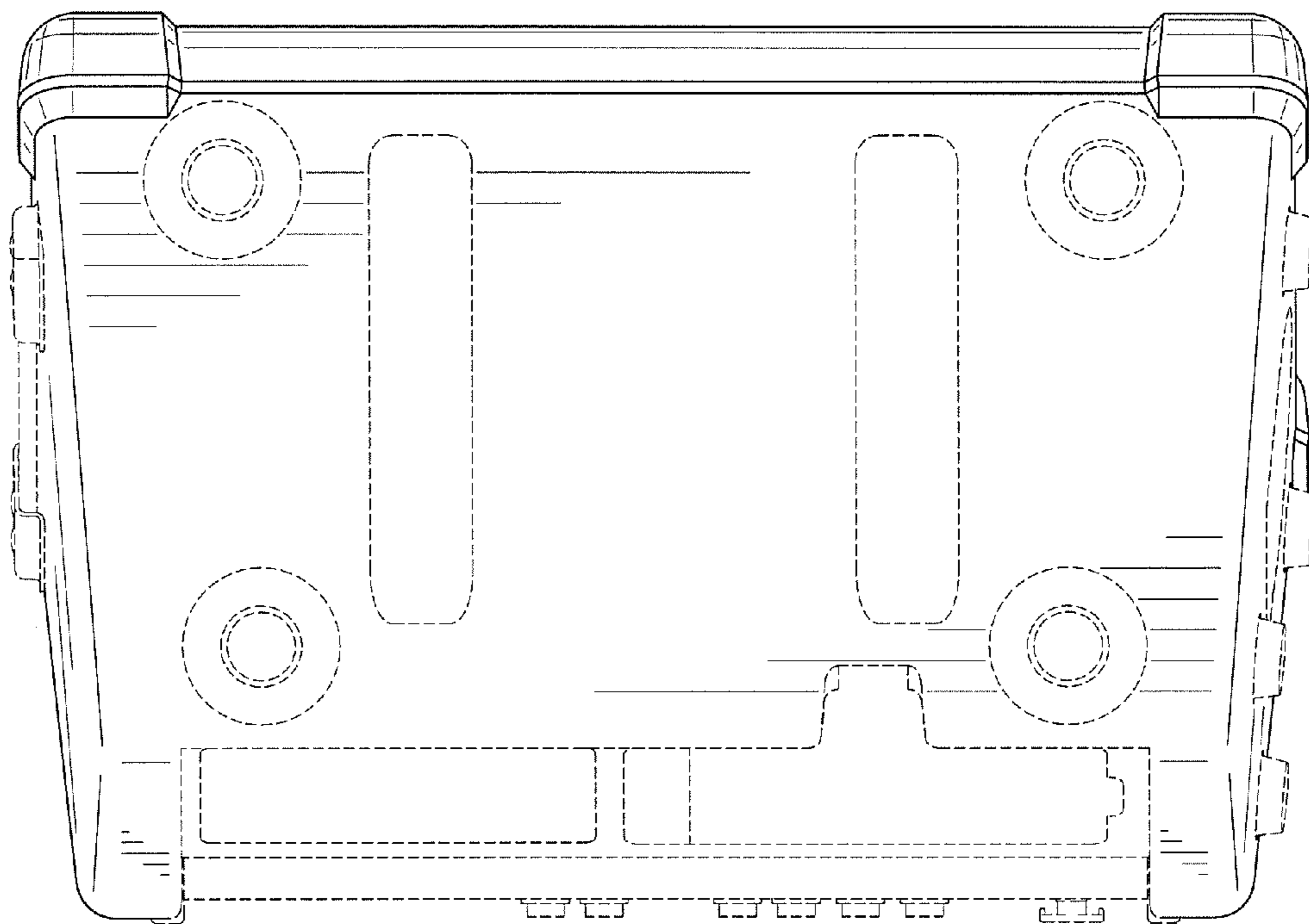


FIG. 7