



US00D719931S

(12) **United States Design Patent**
Wang

(10) **Patent No.:** **US D719,931 S**

(45) **Date of Patent:** **** Dec. 23, 2014**

(54) **SPEAKER**

181/150, 153, 157, 198, 199; 381/300–303,
381/306, 332, 333, 336, 345, 361–364,
381/386–388; 369/6–12

(71) Applicant: **AmTRAN Technology Co., Ltd**, New Taipei (TW)

See application file for complete search history.

(72) Inventor: **Kuan-Hua Wang**, New Taipei (TW)

(56) **References Cited**

(73) Assignee: **AmTRAN Technology Co., Ltd.**, New Taipei (TW)

U.S. PATENT DOCUMENTS

(**) Term: **14 Years**

D478,891 S *	8/2003	Hisatsune	D14/211
D618,213 S *	6/2010	Goh et al.	D14/209.1
D641,338 S *	7/2011	Chen	D14/209.1
D672,747 S *	12/2012	Khoo et al.	D14/214
D681,606 S *	5/2013	Nishii et al.	D14/214

(21) Appl. No.: **29/445,642**

* cited by examiner

(22) Filed: **Feb. 14, 2013**

(30) **Foreign Application Priority Data**

Primary Examiner — Keli L Hill

Jan. 4, 2013 (TW) 102300108

(74) *Attorney, Agent, or Firm* — Muncy, Geissler, Olds & Lowe, P.C.

(51) **LOC (10) Cl.** **14-03**

(57) **CLAIM**

(52) **U.S. Cl.**
USPC **D14/214; D14/204**

The ornamental design for a “speaker,” as shown and described.

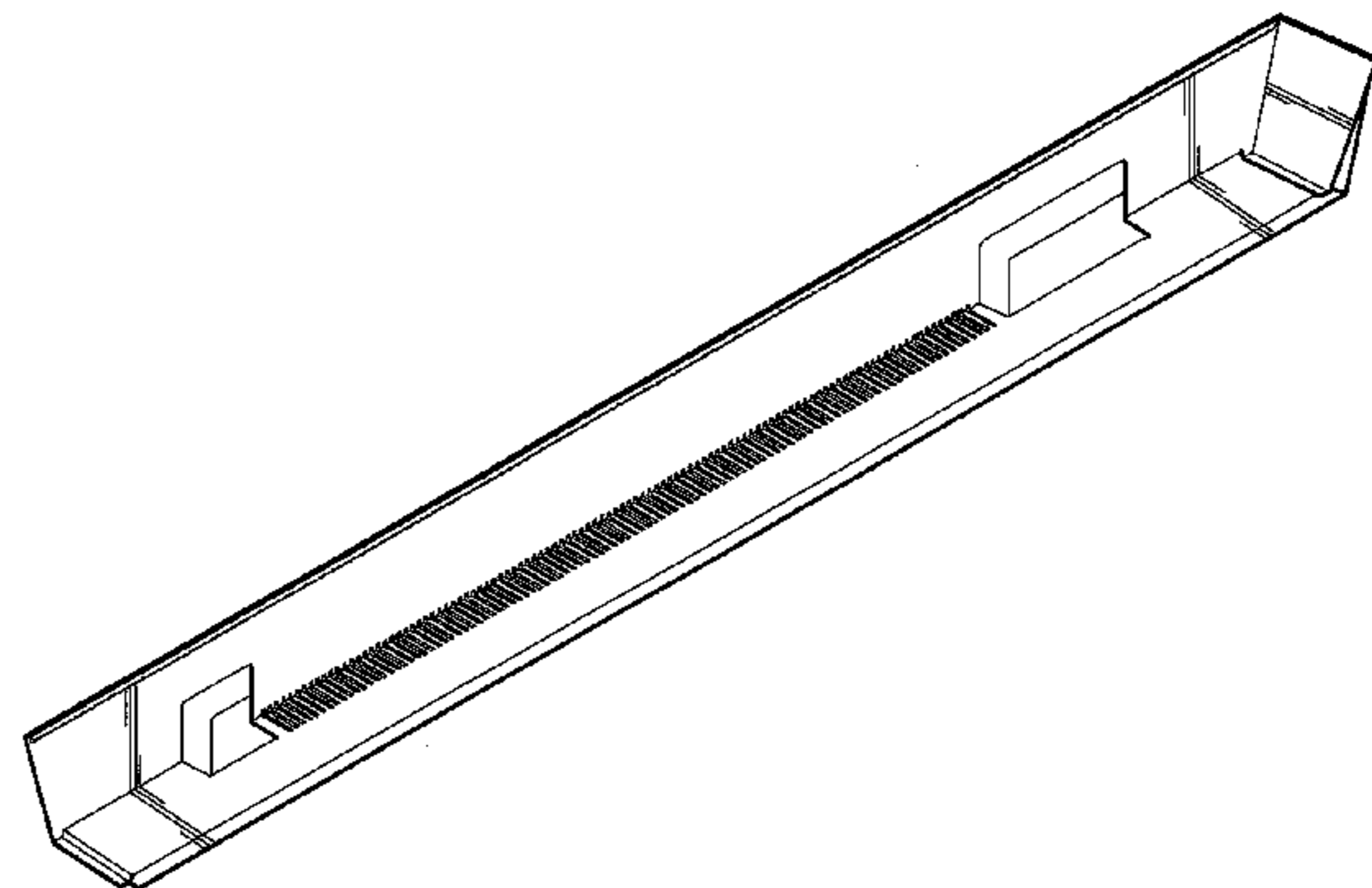
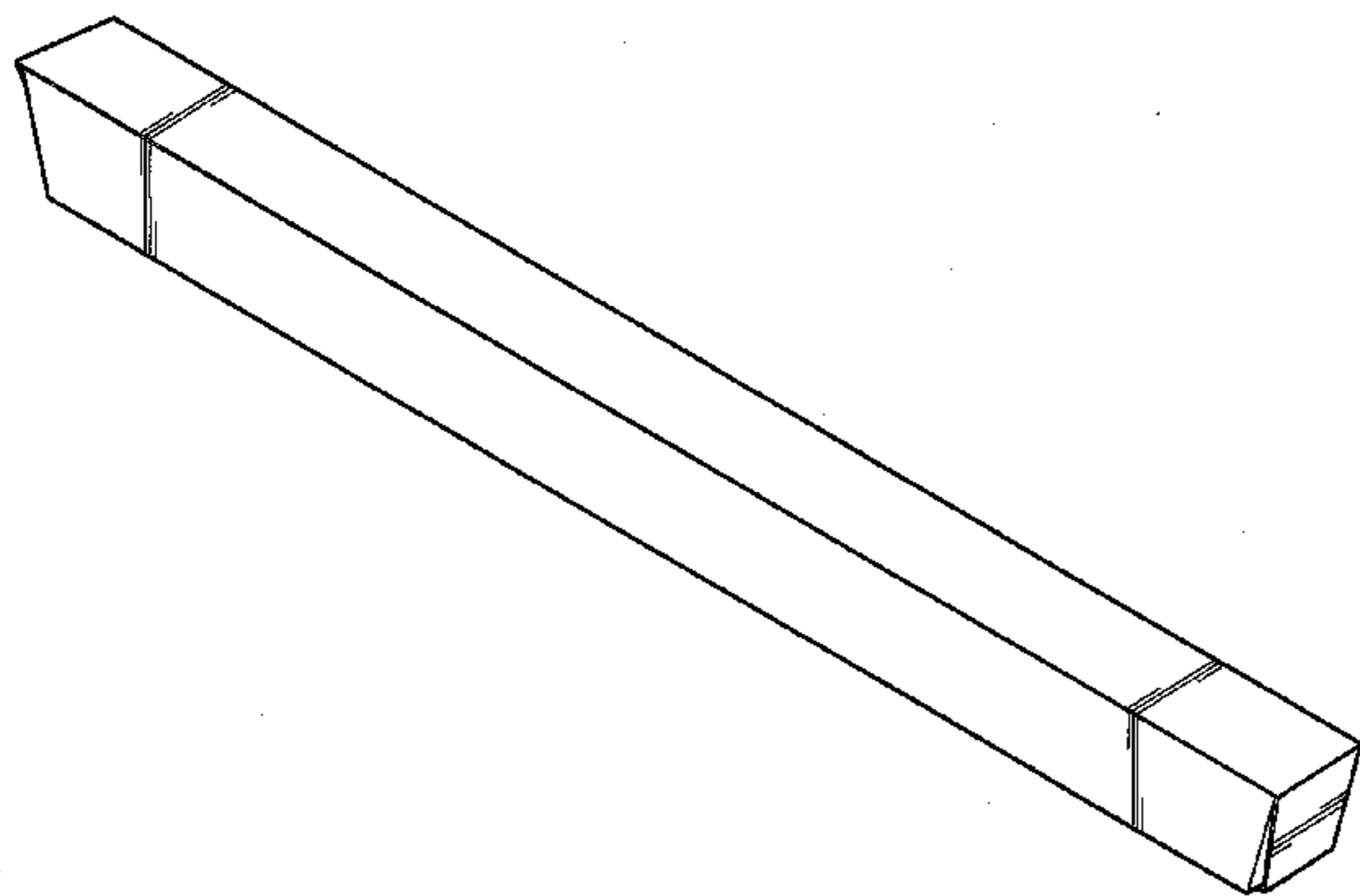
(58) **Field of Classification Search**

DESCRIPTION

CPC H04M 1/03; H04M 1/035; H04R 1/02;
H04R 1/06; H04R 1/021; H04R 1/025;
H04R 1/026; H04R 1/105; H04R 1/323;
H04R 1/345; H04R 1/403; H04R 1/2803;
H04R 1/2834; H04R 5/02; H04R 7/20;
H04R 9/06; H04R 9/025; H04R 2201/021;
H04R 2400/07; H04R 2499/11; H04R
2499/13; H04R 2499/15; G06F 1/1688;
H04N 5/642; H04N 21/4852; H04S 3/00;
H04S 7/30; B60R 11/0217
USPC D14/167, 168, 170–172, 188, 194–196,
D14/204, 207, 209.1, 210–216, 219, 221,
D14/222, 224, 496; 181/143, 144, 147, 148,

FIG. 1 is a perspective view of speaker showing our new design;
FIG. 2 is another perspective view of speaker showing our new Design;
FIG. 3 is a front view thereof;
FIG. 4 is a rear view thereof;
FIG. 5 is a left side elevational view thereof;
FIG. 6 is a right side elevational view thereof;
FIG. 7 is a top view thereof; and,
FIG. 8 is a bottom view thereof.

1 Claim, 4 Drawing Sheets



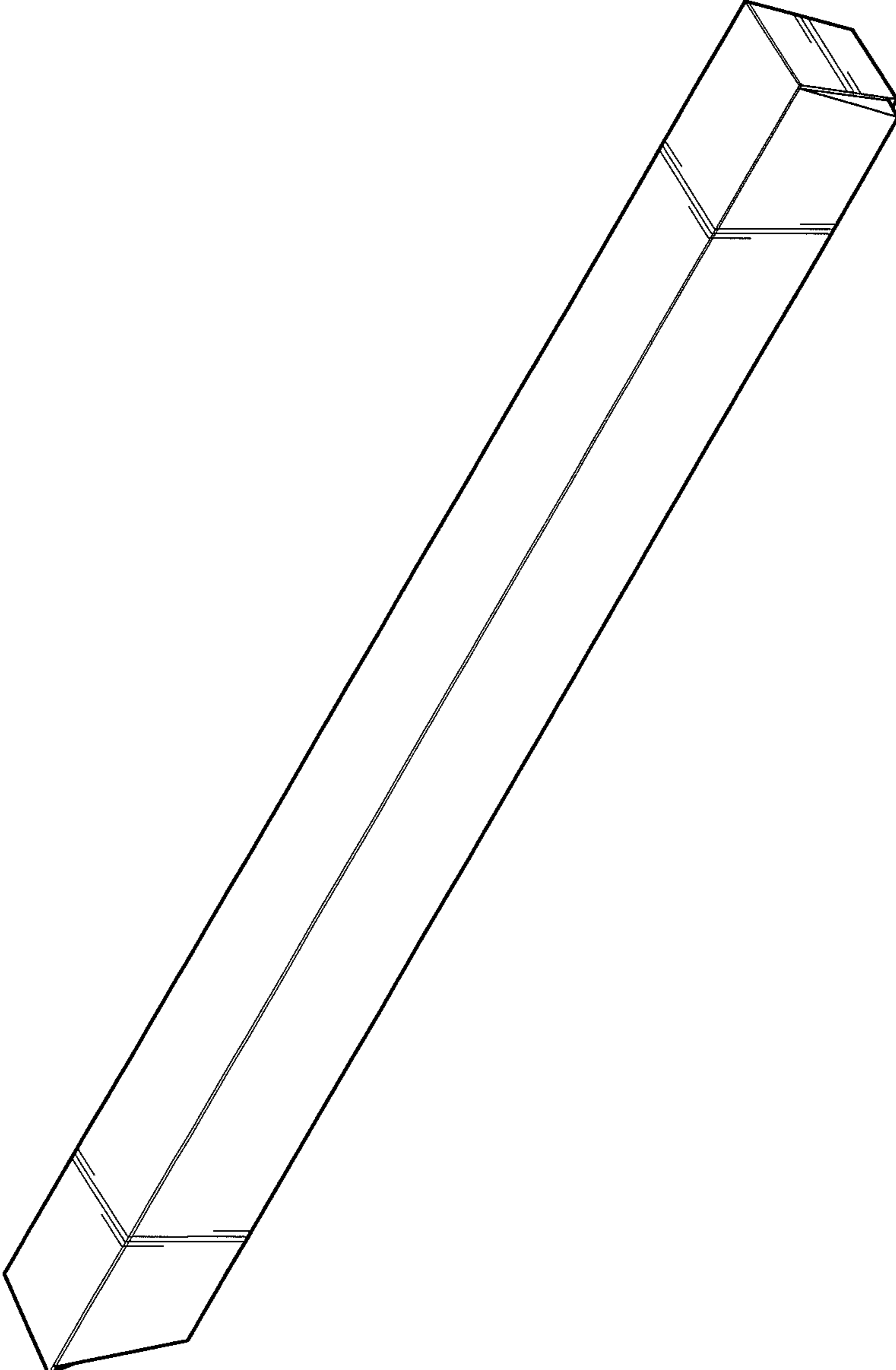


FIG.1

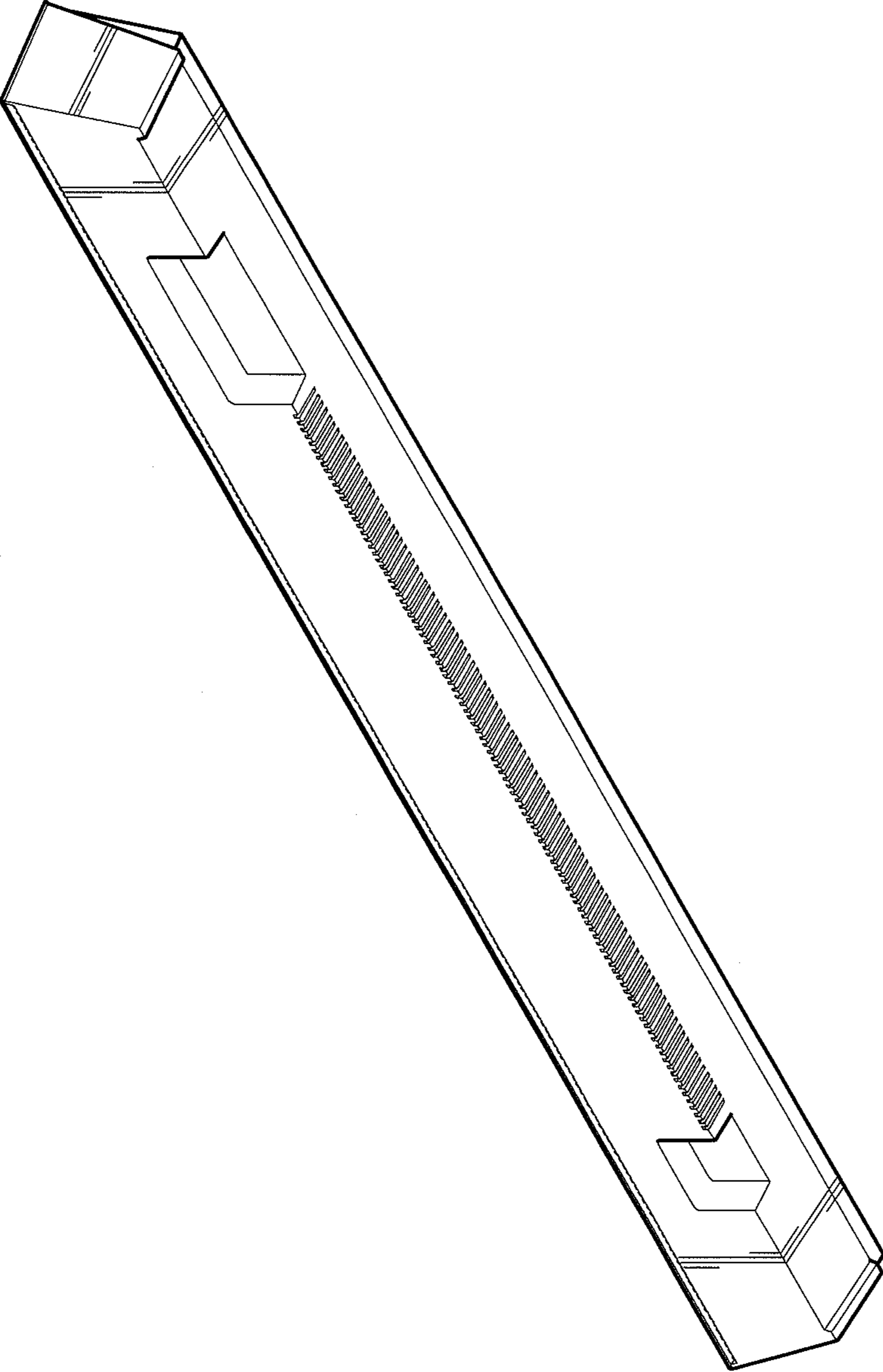


FIG.2

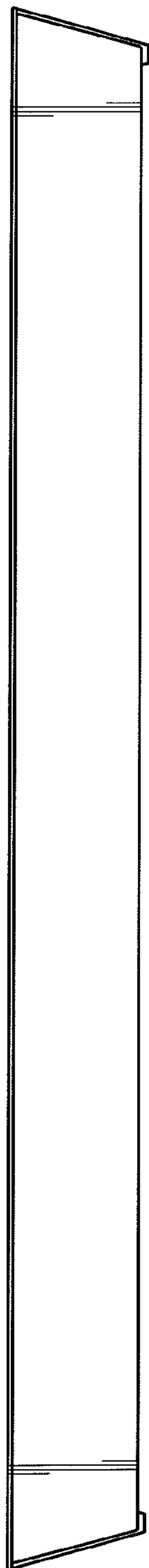


FIG. 3

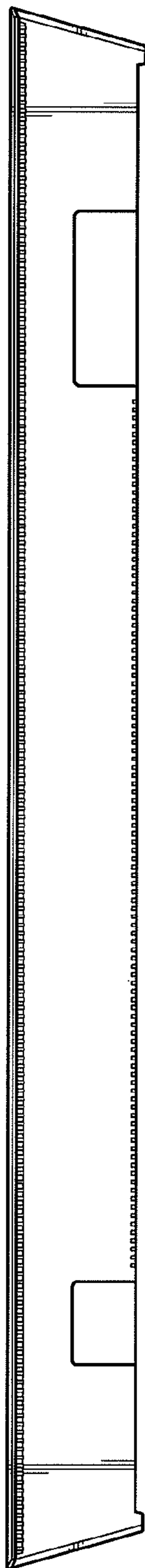


FIG. 4

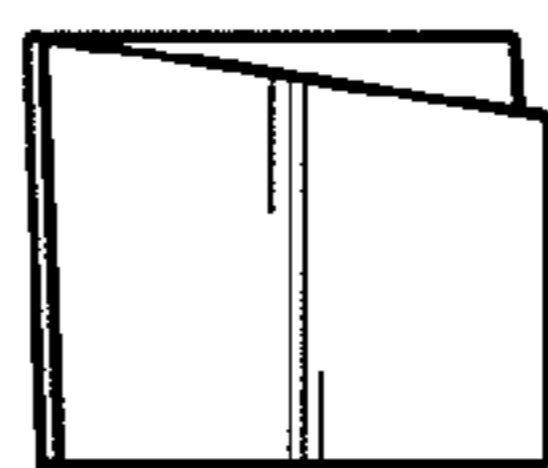


FIG. 5

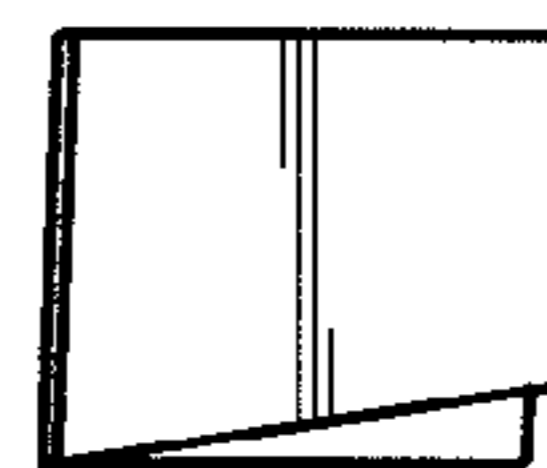


FIG. 6

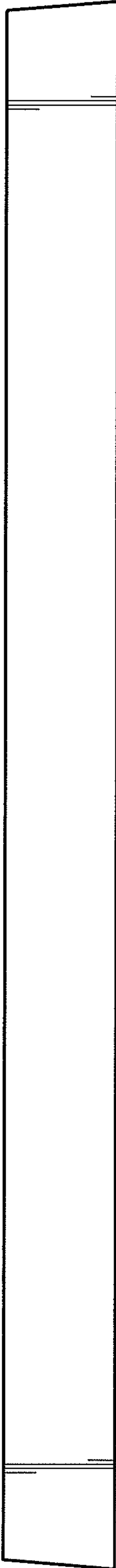


FIG. 7

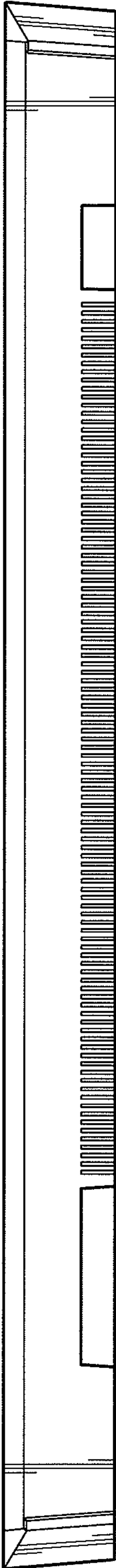


FIG. 8