



US00D719930S

(12) **United States Design Patent**  
**Warden et al.**

(10) **Patent No.:** **US D719,930 S**  
(45) **Date of Patent:** **\*\* Dec. 23, 2014**

(54) **LOUDSPEAKER**

(71) Applicant: **Bose Corporation**, Framingham, MA  
(US)

(72) Inventors: **Robert A. Warden**, Southborough, MA  
(US); **Randy J. Kulchy**, Shrewsbury,  
MA (US)

(73) Assignee: **Bose Corporation**, Framingham, MA  
(US)

(\*\*) Term: **14 Years**

(21) Appl. No.: **29/445,126**

(22) Filed: **Feb. 7, 2013**

(51) **LOC (10) Cl.** ..... **14-03**

(52) **U.S. Cl.**  
USPC ..... **D14/214**

(58) **Field of Classification Search**  
USPC ..... D14/167, 168, 170–172, 188, 194–196,  
D14/204, 207, 209.1, 210–216, 219, 221,  
D14/222, 224, 496; 181/143, 144, 147, 148,  
181/150, 153, 157, 198, 199; 381/300–303,  
381/306, 332, 333, 336, 345, 361–364,  
381/386–388; 369/6–12

See application file for complete search history.

(56) **References Cited**

**U.S. PATENT DOCUMENTS**

D248,023 S \* 5/1978 Minozzi et al. .... D14/214  
4,165,797 A 8/1979 Spetalnik  
D295,857 S 5/1988 Nagashima

4,805,730 A 2/1989 O'Neill et al.  
4,843,624 A 6/1989 Rashak  
D462,065 S 8/2002 Silverstein et al.  
D484,484 S 12/2003 Green  
D508,041 S \* 8/2005 Carbone et al. .... D14/214  
6,978,030 B2 12/2005 Reich  
D560,655 S \* 1/2008 Carbone et al. .... D14/211  
7,324,684 B2 1/2008 Enokido et al.  
7,328,769 B1 2/2008 Adamson  
D569,844 S 5/2008 Thompson et al.  
D637,580 S 5/2011 Aranda, Jr. et al.  
D641,339 S 7/2011 Miller  
D654,474 S \* 2/2012 Hawkins et al. .... D14/214  
D660,285 S 5/2012 Lee et al.  
D663,719 S 7/2012 Warden et al.  
D676,827 S \* 2/2013 Desrosiers .... D14/204

\* cited by examiner

*Primary Examiner* — Keli L Hill

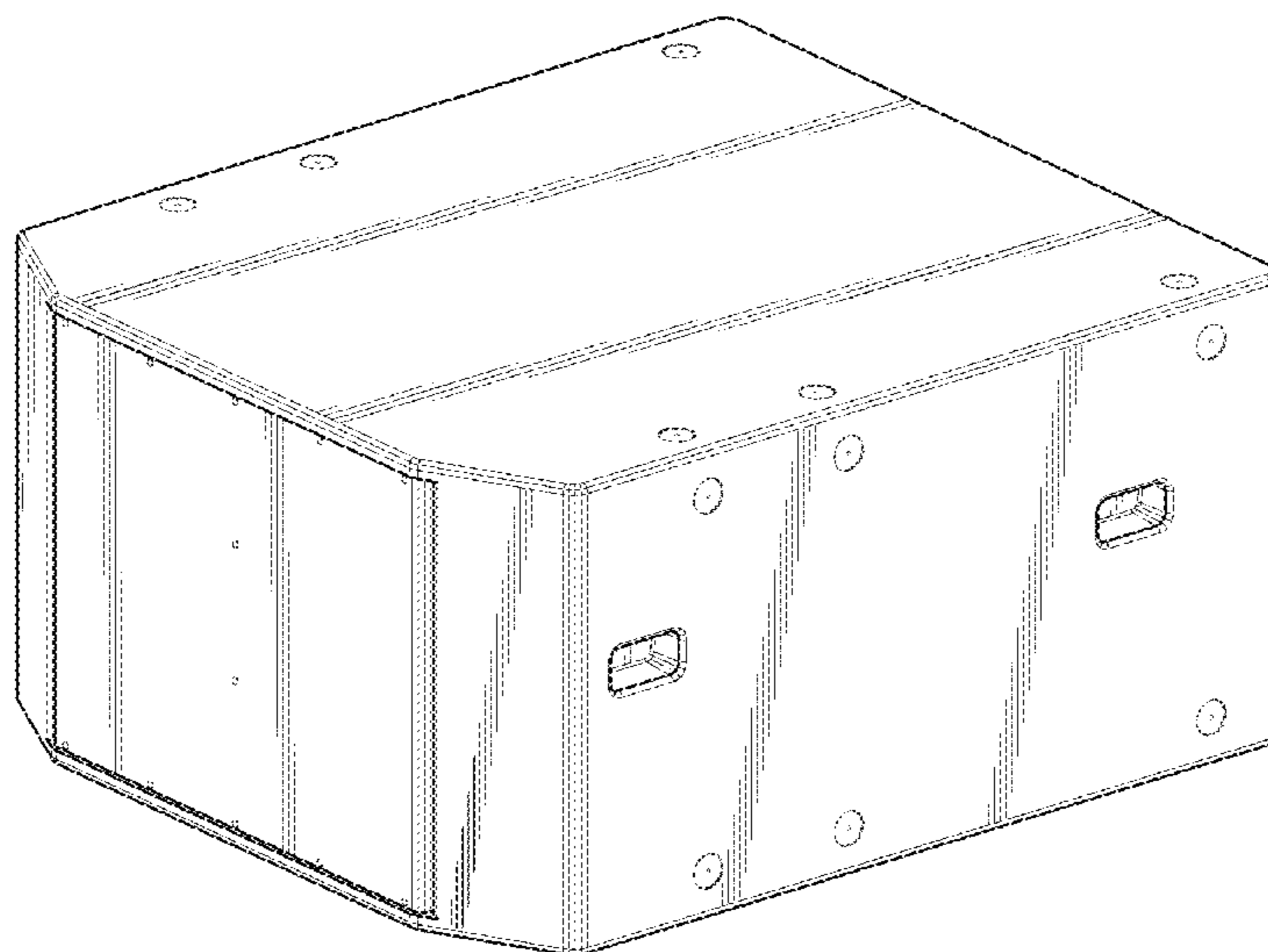
(57) **CLAIM**

The ornamental design for a loudspeaker, substantially as shown and described.

**DESCRIPTION**

FIG. 1 is a perspective view of our new design as seen from the front, top and right side of the loudspeaker;  
FIG. 2 is a top view thereof;  
FIG. 3 is a bottom view thereof;  
FIG. 4 is a front view thereof;  
FIG. 5 is a back view thereof;  
FIG. 6 is a right side view thereof; and,  
FIG. 7 is a left side view thereof.  
The broken lines shown in the figures are for environmental purposes only and form no part of the claimed design.

**1 Claim, 7 Drawing Sheets**



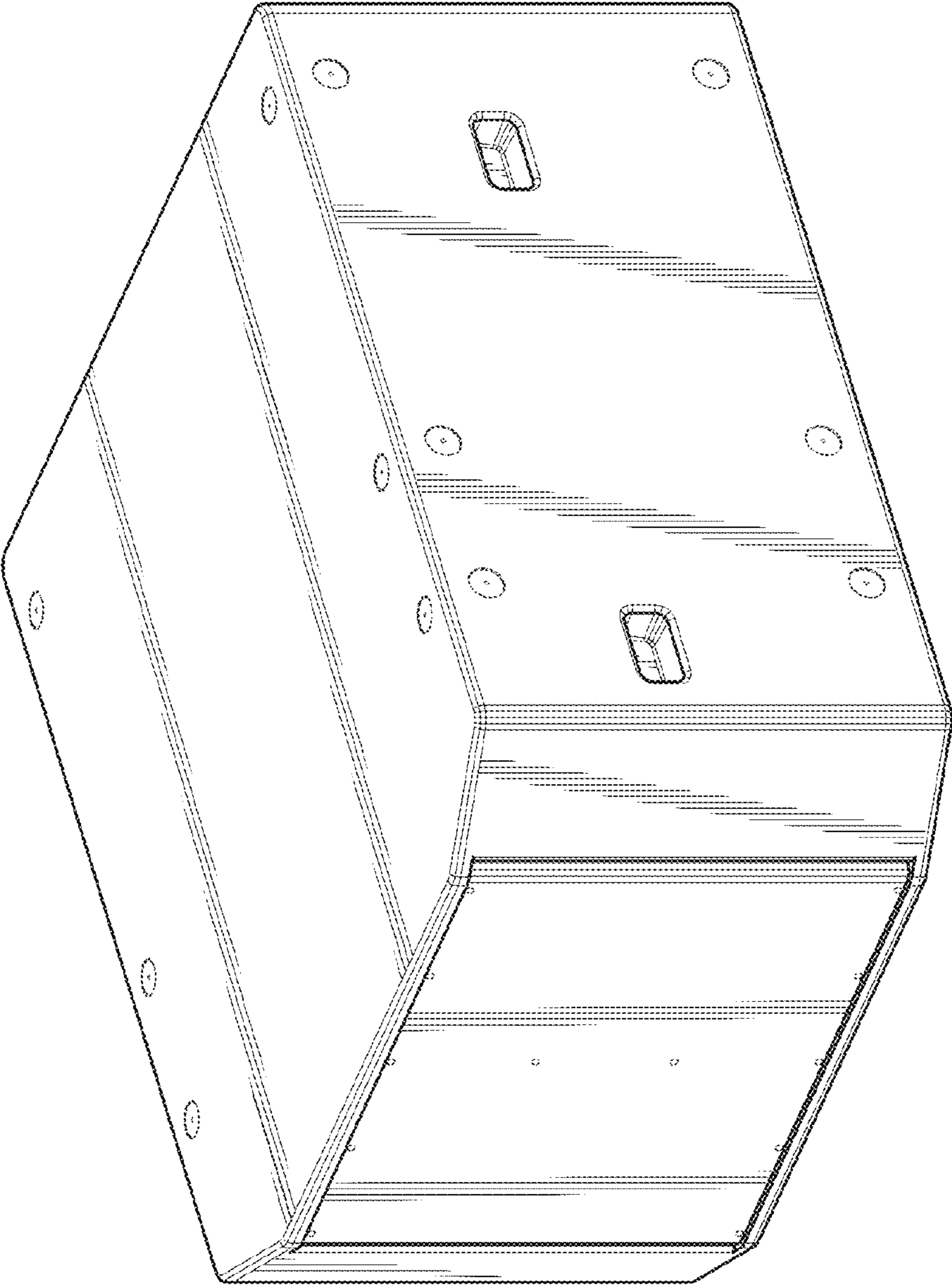


FIG. 1

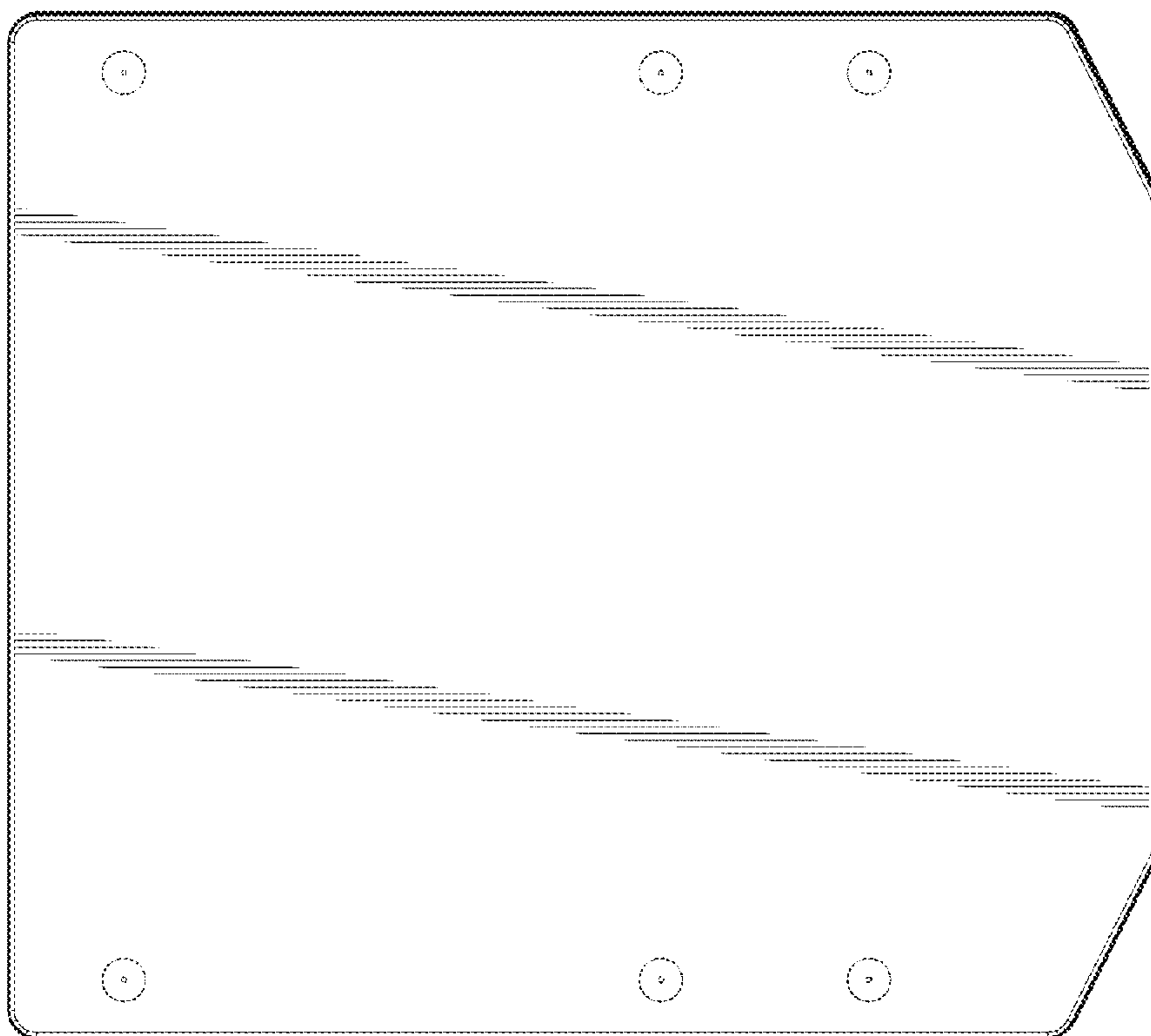
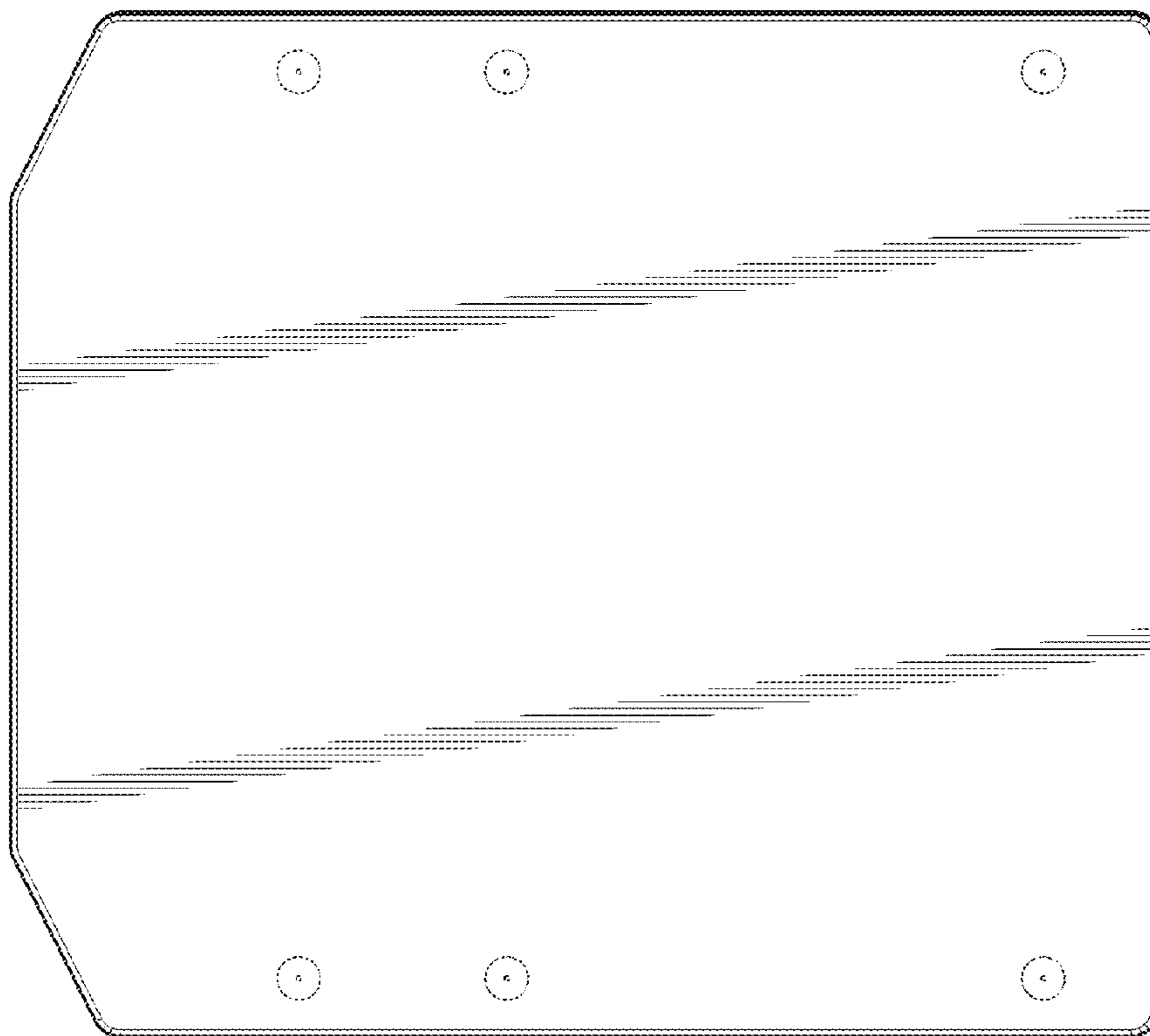


FIG. 2



**FIG. 3**

4/7

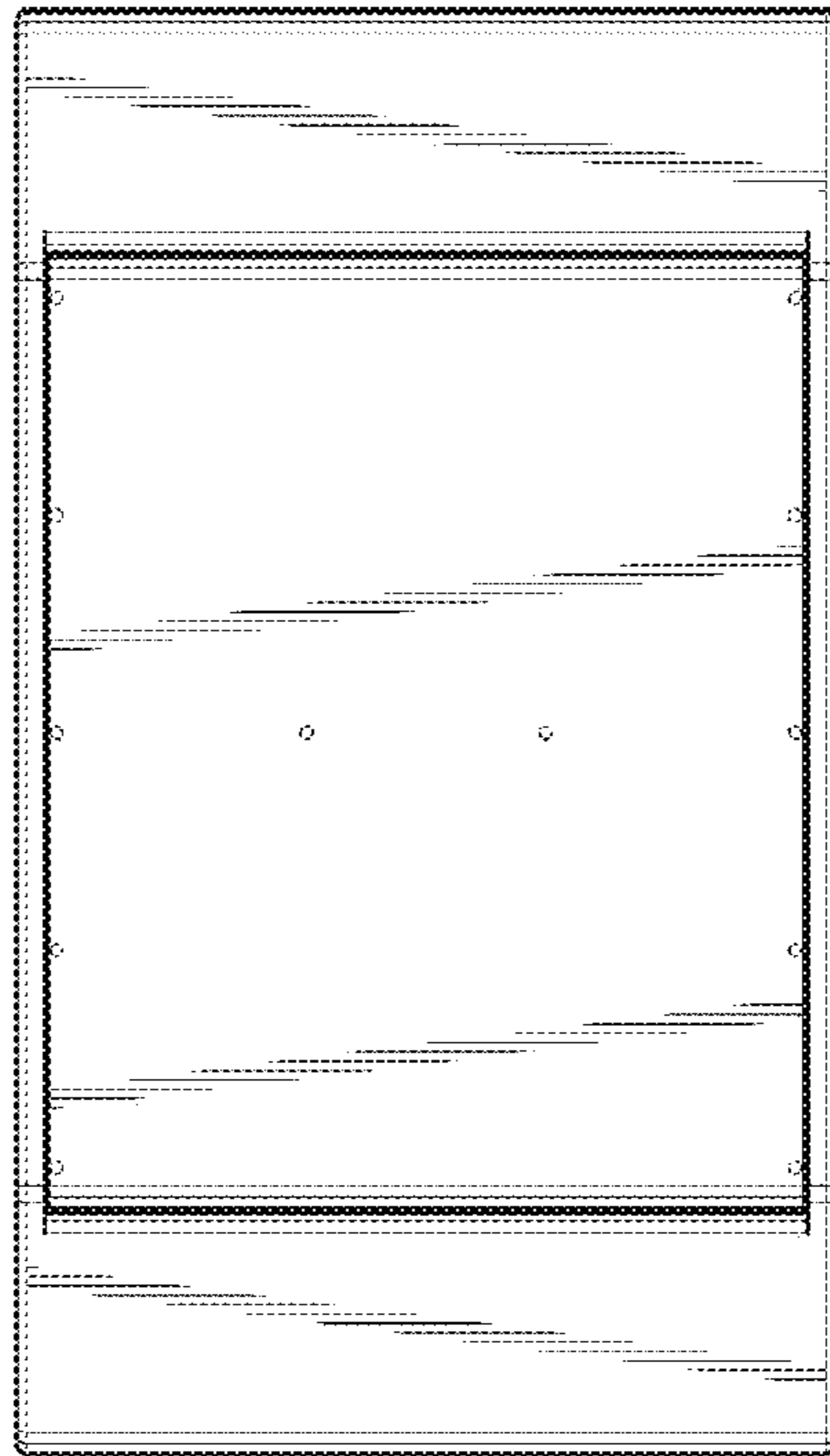
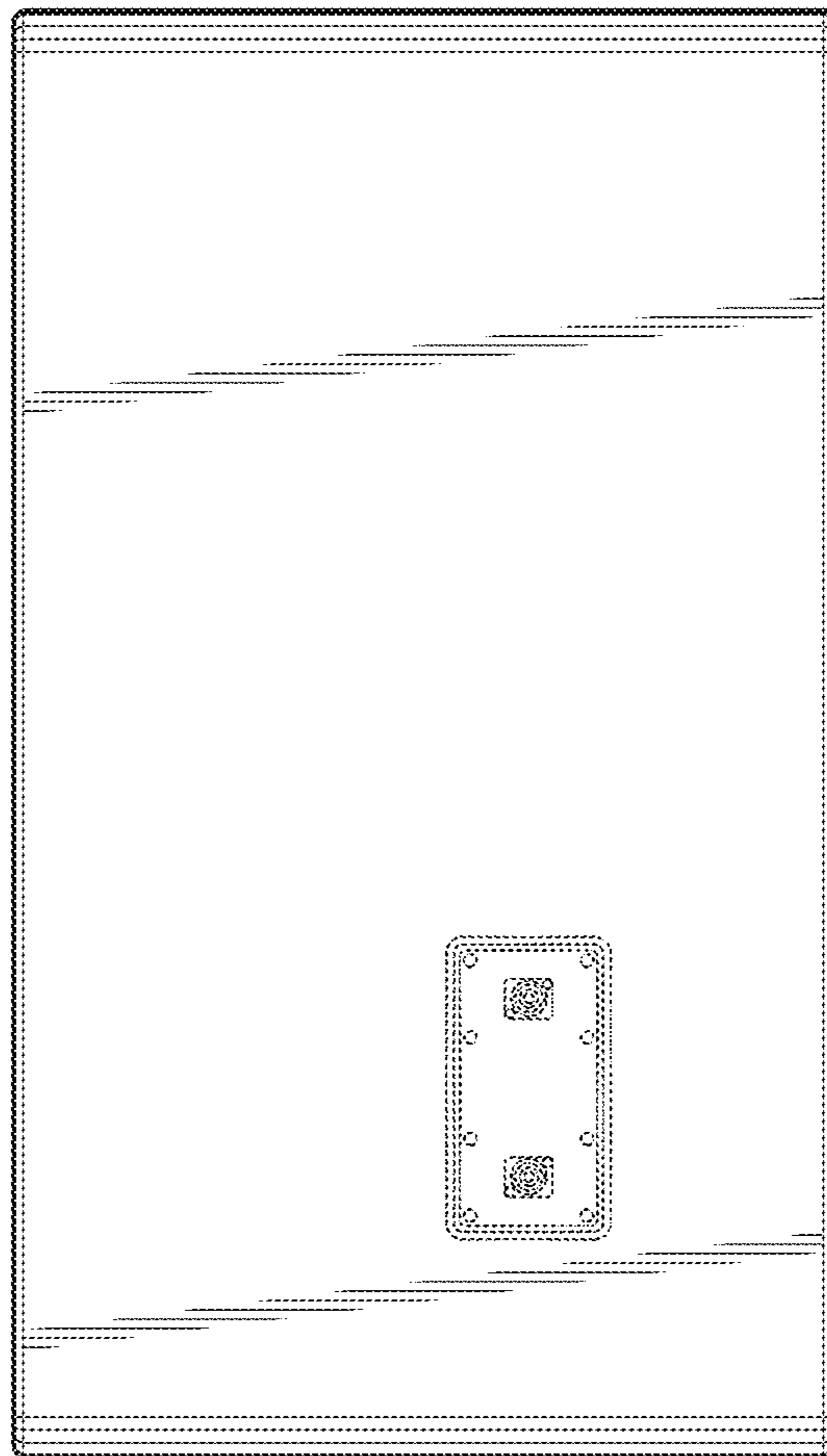


FIG. 4



**FIG. 5**

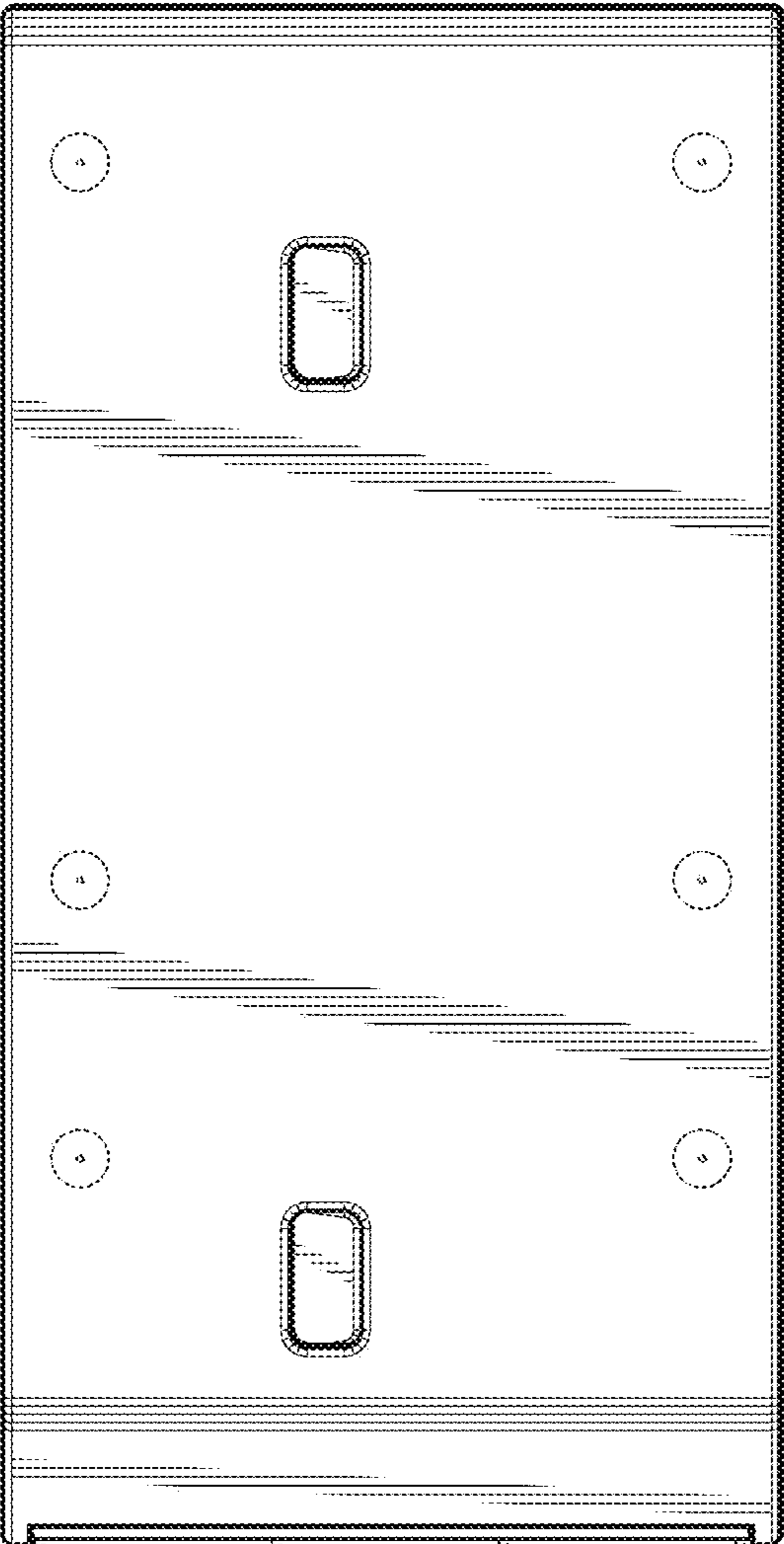


FIG. 6

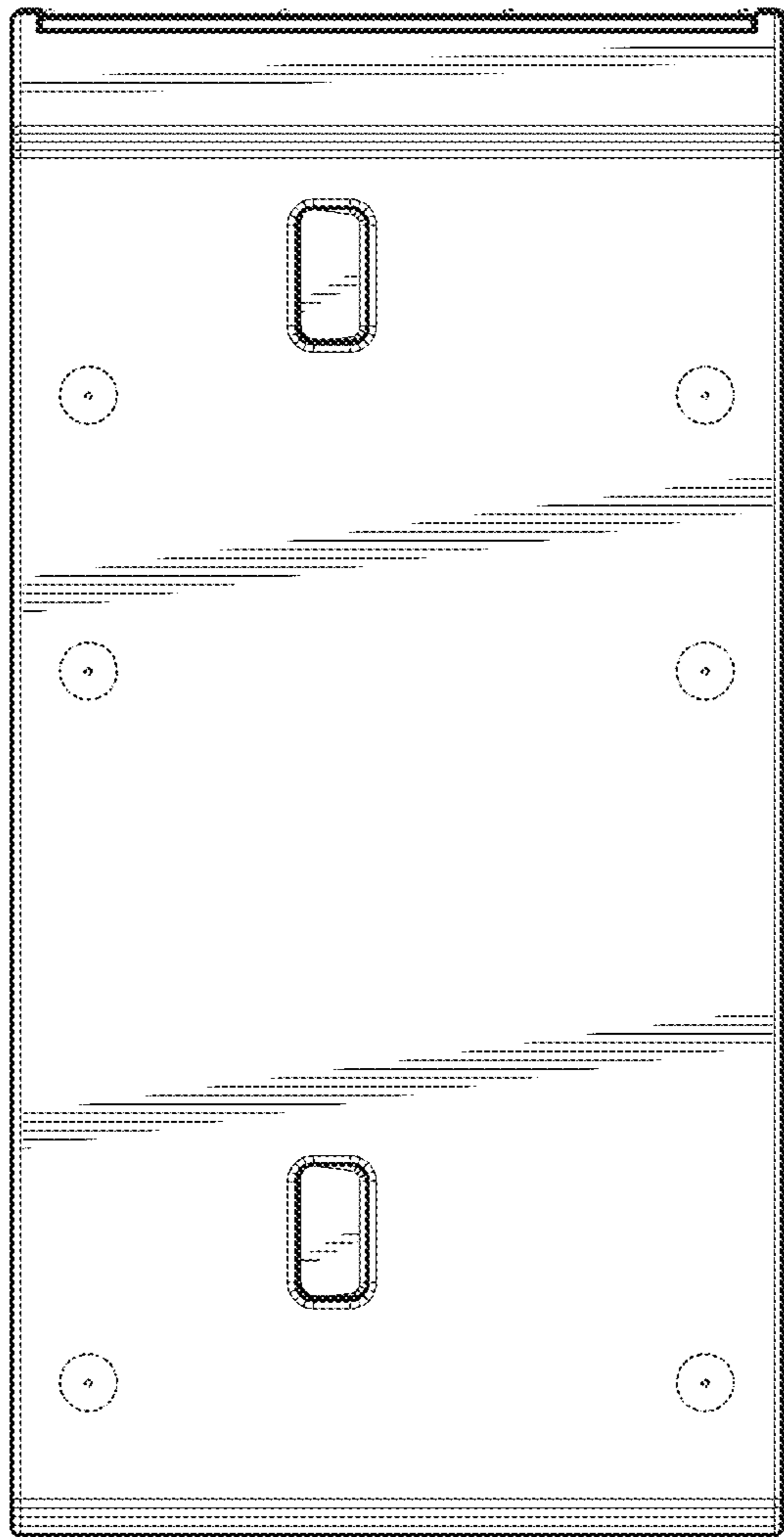


FIG. 7