



US00D719927S

(12) **United States Design Patent**
Aarrestad et al.

(10) **Patent No.:** **US D719,927 S**
(45) **Date of Patent:** **** Dec. 23, 2014**

(54) **VIDEO CONFERENCE ENDPOINT**

(75) Inventors: **Glenn Robert Grismrud Aarrestad**, Oslo (NO); **Evelyne Chaubert**, San Francisco, CA (US); **Eric Wayne Nichols**, San Francisco, CA (US); **Shawn Emory Bender**, Campbell, CA (US); **Danny Hon Bun Chan**, Fremont, CA (US); **Torence Lu**, Fremont, CA (US); **Daniel Casimiro Nunez**, Sunnyvale, CA (US); **David Michael Sanguinet**, San Jose, CA (US); **Juli Anna Maria Satoh**, Clovis, CA (US); **Kenneth Douglas Wood**, Portola Valley, CA (US); **Terri LaBelle Cruse**, Santa Clara, CA (US); **Emory Thomas Richards**, Sudbury, MA (US); **Dan Harden**, Palo Alto, CA (US); **Christopher L. Whittall**, Los Gatos, CA (US); **Kyle A. Buzzard**, Campbell, CA (US)

(73) Assignee: **Cisco Technology, Inc.**, San Jose, CA (US)

(**) Term: **14 Years**

(21) Appl. No.: **29/416,717**

(22) Filed: **Mar. 26, 2012**

(51) **LOC (10) Cl.** **14-03**

(52) **U.S. Cl.**
USPC **D14/127**

(58) **Field of Classification Search**
CPC G06F 1/1607; G06F 1/1647; G06F 2200/1612; G06F 1/1616; G06F 1/1605; G06F 1/1649; G06F 1/1686; G06F 1/1688; G06F 1/1601; G09F 9/35; G09F 15/00; H04N 9/3141; H04N 5/64; H04N 5/645; F16M 2200/08; F16M 11/10; G03G 15/5016
USPC D14/127, 129, 133, 306, 132, 381, 382; 345/1.3, 10, 104; 348/14.07, 14.09, 51, 348/836, 184, 325, 739, 359; 248/917, 918, 248/920, 921, 922, 923, 924; 455/347; 341/12; 312/7.2; 720/600, 605; D26/52

See application file for complete search history.

(56) **References Cited**

U.S. PATENT DOCUMENTS

3,909,525 A 9/1975 Fagan
D340,229 S 10/1993 Drabczyk et al.

(Continued)

FOREIGN PATENT DOCUMENTS

CN ZL201230465124.9 7/2013
CN ZL201230475295.X 7/2013

(Continued)

Primary Examiner — Robert M Spear

Assistant Examiner — Eliza Bennett-Hattan

(74) *Attorney, Agent, or Firm* — Edell, Shapiro & Finnan, LLC

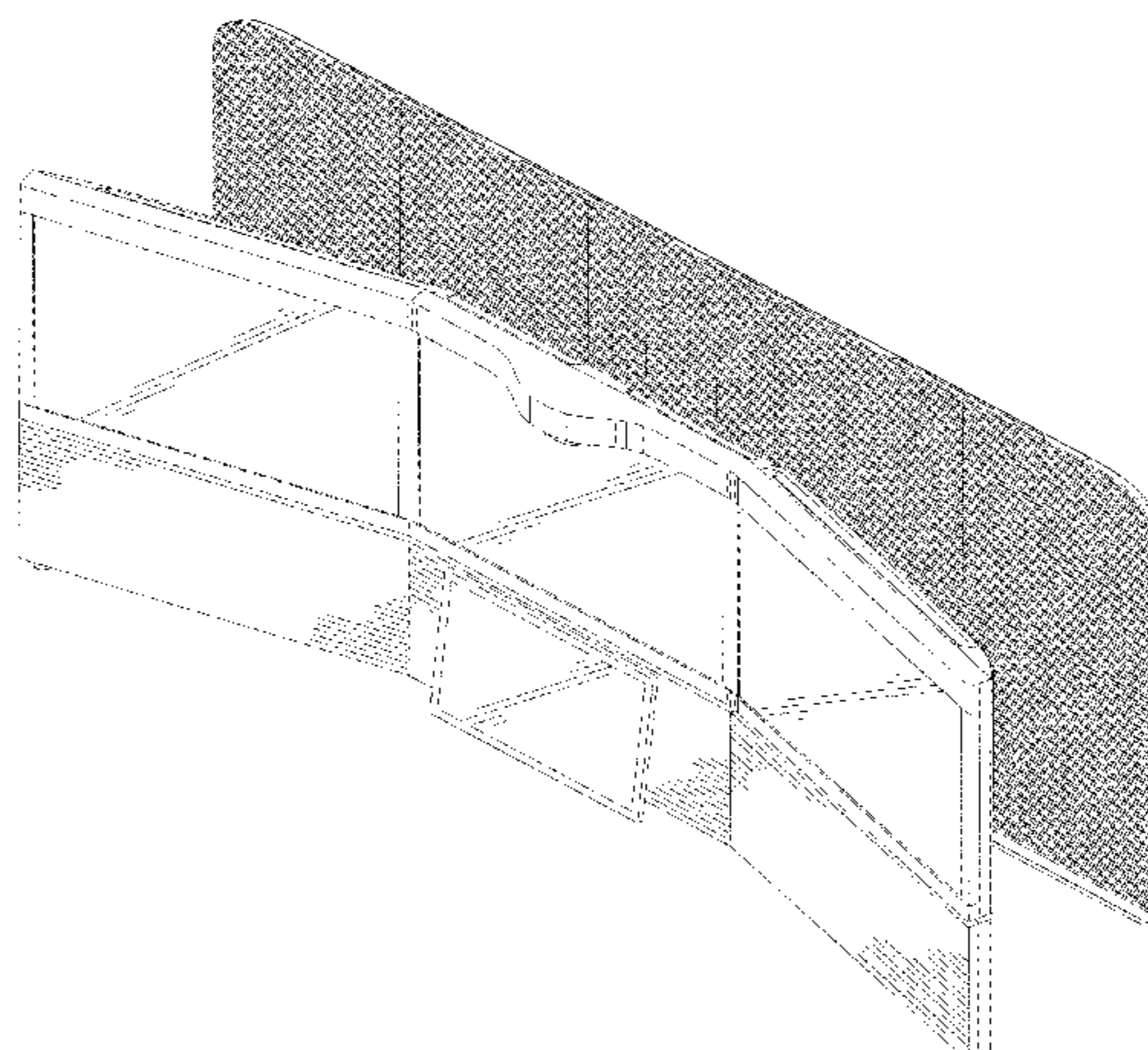
(57) **CLAIM**

The ornamental design for a video conference endpoint, as shown and described.

DESCRIPTION

FIG. 1 is a front, right perspective view from above of a video conference endpoint, according to the present invention; FIG. 2 is a top plan view of the video conference endpoint, of FIG. 1; FIG. 3 is a bottom plan view of the video conference endpoint, of FIG. 1; FIG. 4 is a front elevation view of the video conference endpoint, of FIG. 1; FIG. 5 is a rear elevation view of the video conference endpoint, of FIG. 1; FIG. 6 is a right side elevation view of the video conference endpoint, of FIG. 1; FIG. 7 is a left side elevation view of the video conference endpoint, of FIG. 1; and, FIG. 8 is another front, right perspective view from above of the video conference endpoint, of FIG. 1. Any portions shown using dashed lines are for illustrative purposes only and form no part of the claimed design.

1 Claim, 8 Drawing Sheets



(56)

References Cited

U.S. PATENT DOCUMENTS

D448,024 S 9/2001 Kim
 D558,270 S 12/2007 Beno
 D579,888 S * 11/2008 Lunde et al. D14/127
 D581,380 S 11/2008 Derocher et al.
 D583,781 S 12/2008 Derocher et al.
 D593,977 S 6/2009 Derocher et al.
 D610,105 S * 2/2010 Graham et al. D14/127
 7,679,639 B2 3/2010 Harrell et al.
 D613,260 S 4/2010 Derocher et al.
 D616,403 S 5/2010 Roed et al.
 7,710,448 B2 5/2010 De Beer et al.
 D618,644 S * 6/2010 Graham et al. D14/127
 D623,619 S 9/2010 Roed et al.
 D623,621 S * 9/2010 Roed et al. D14/127
 D624,514 S 9/2010 Roed et al.
 D626,102 S 10/2010 Buzzard et al.
 D626,103 S 10/2010 Buzzard et al.

D628,175 S 11/2010 Desai et al.
 D628,968 S 12/2010 Desai et al.
 D632,008 S 2/2011 Kim et al.
 D634,745 S * 3/2011 Park et al. D14/373
 D649,951 S 12/2011 Roed et al.
 8,102,331 B1 * 1/2012 Moscovitch 345/1.1
 D663,707 S * 7/2012 Derocher et al. D14/127
 D671,085 S * 11/2012 Derocher et al. D14/127
 D679,707 S * 4/2013 Aarrestad et al. D14/373
 8,500,293 B2 8/2013 Sutton et al.
 8,659,639 B2 * 2/2014 Baldino et al. 348/14.09
 2012/0243200 A1 9/2012 Sutton et al.

FOREIGN PATENT DOCUMENTS

CN ZL201230465123.4 11/2013
 EP 1345169-0002 9/2012
 EP 1345169-0003 9/2012
 EP 1345169-0005 9/2012

* cited by examiner

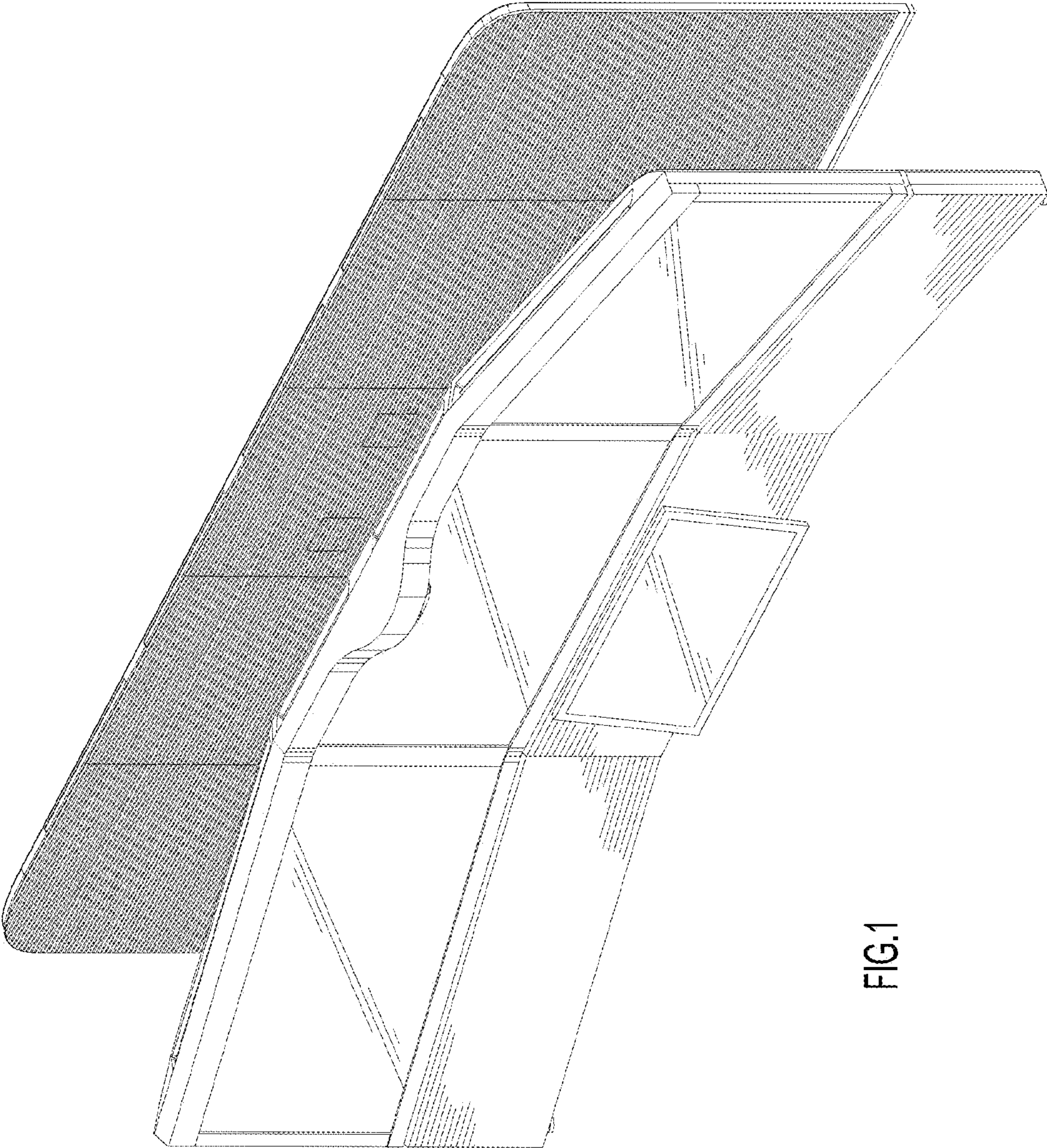


FIG.1

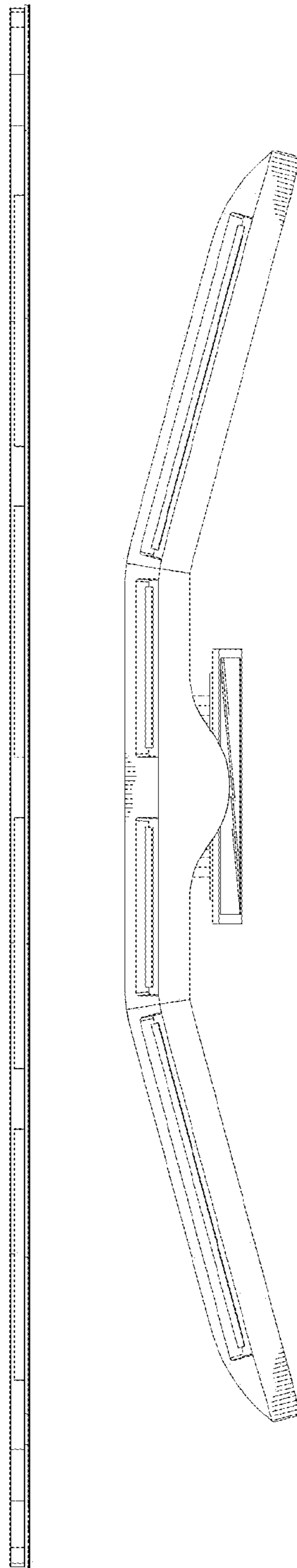


FIG.2

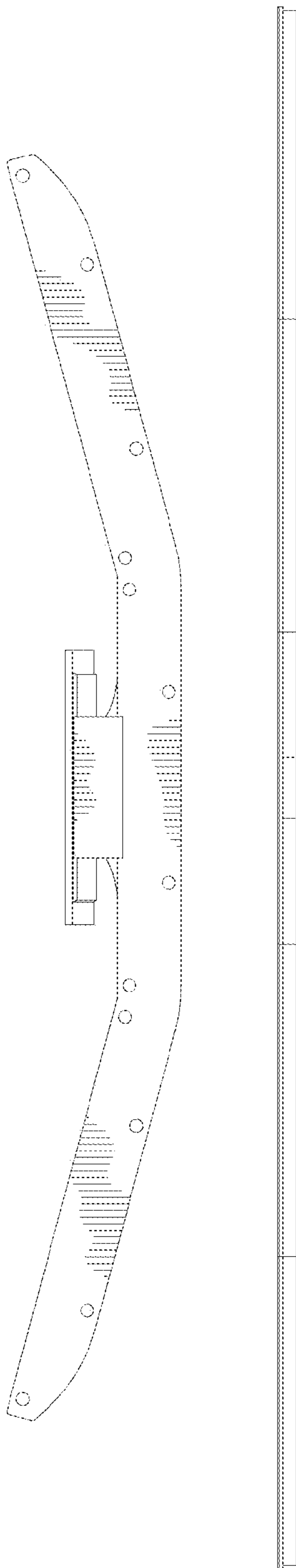


FIG.3

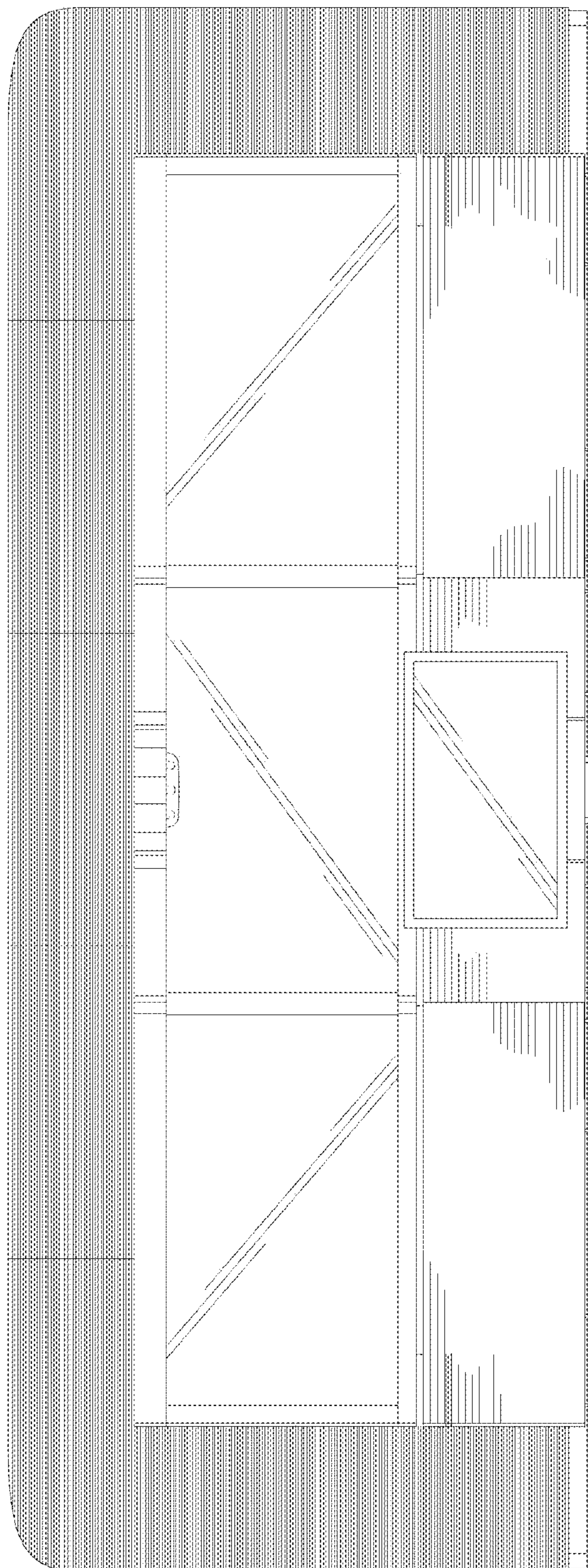


FIG.4

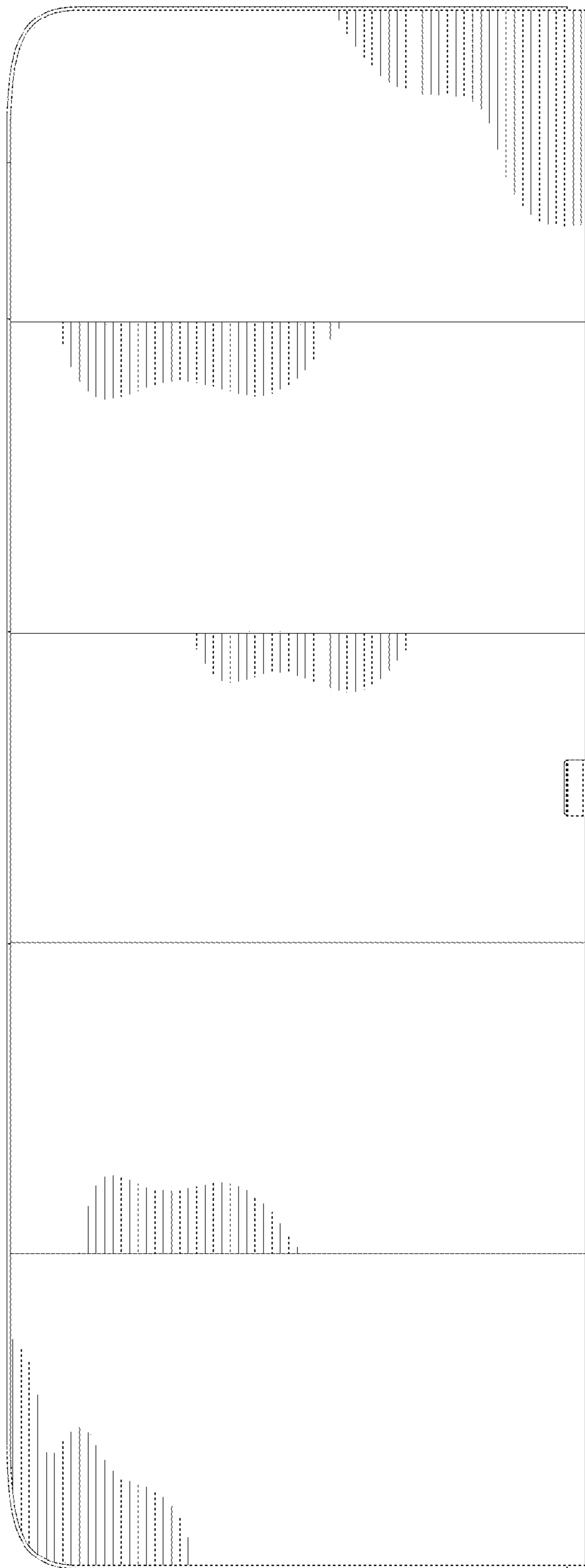
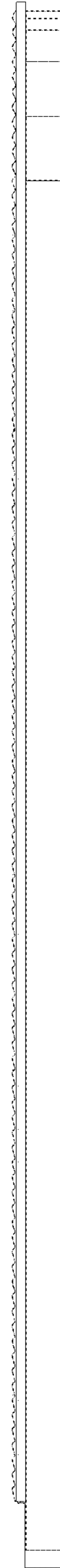
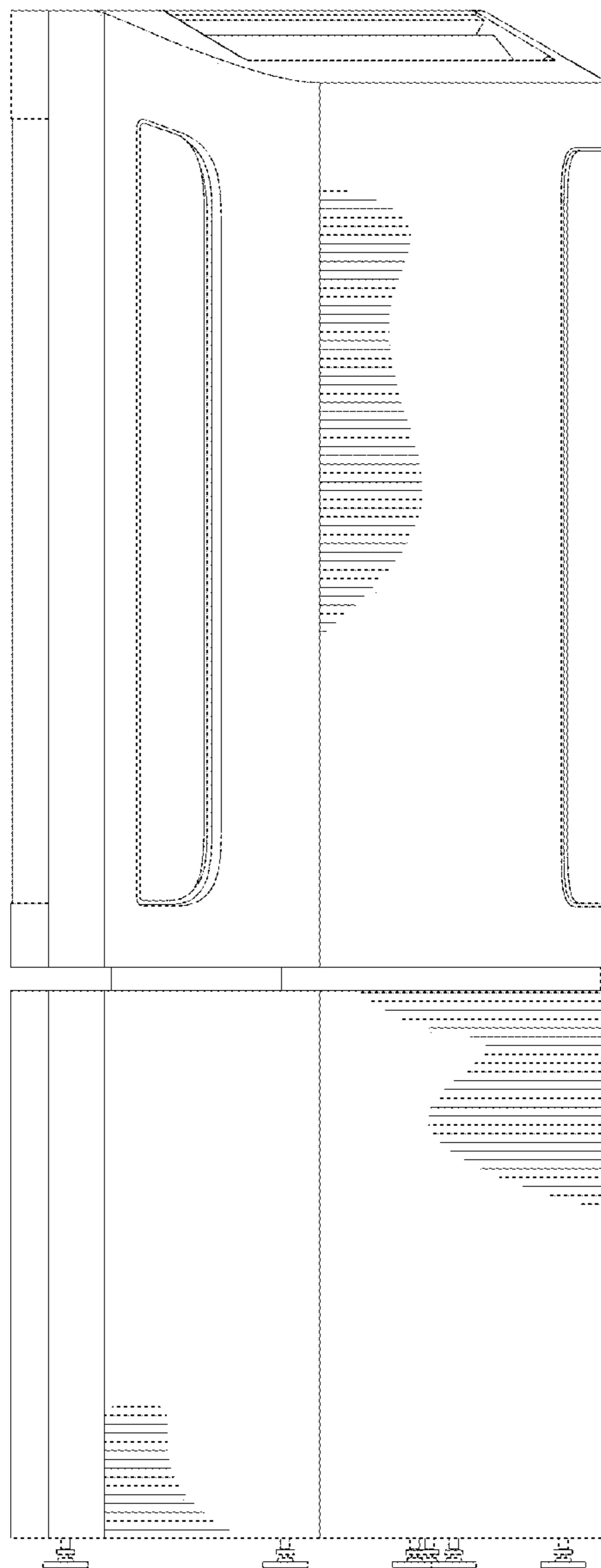


FIG.5

FIG.6



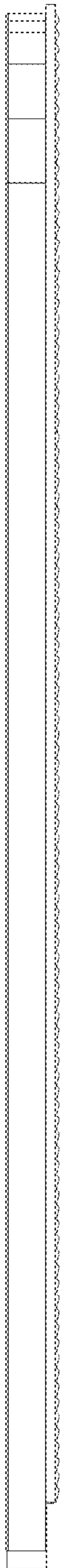
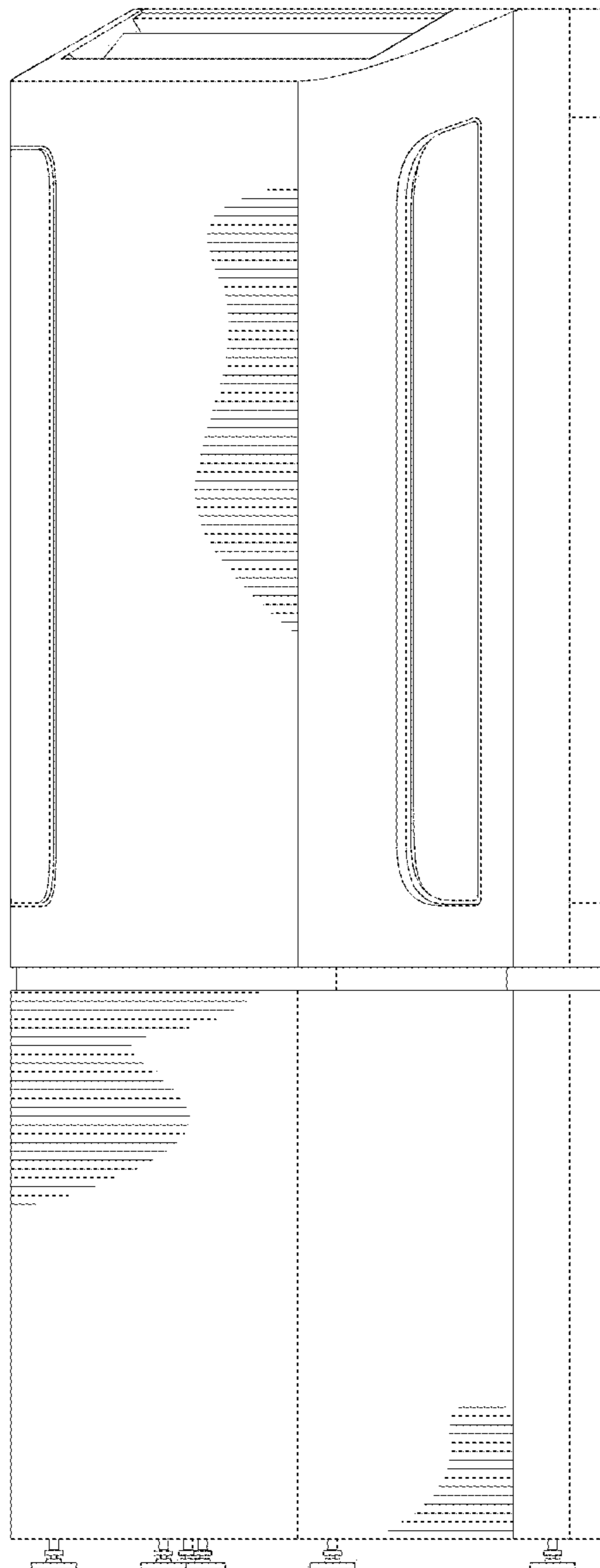


FIG.7



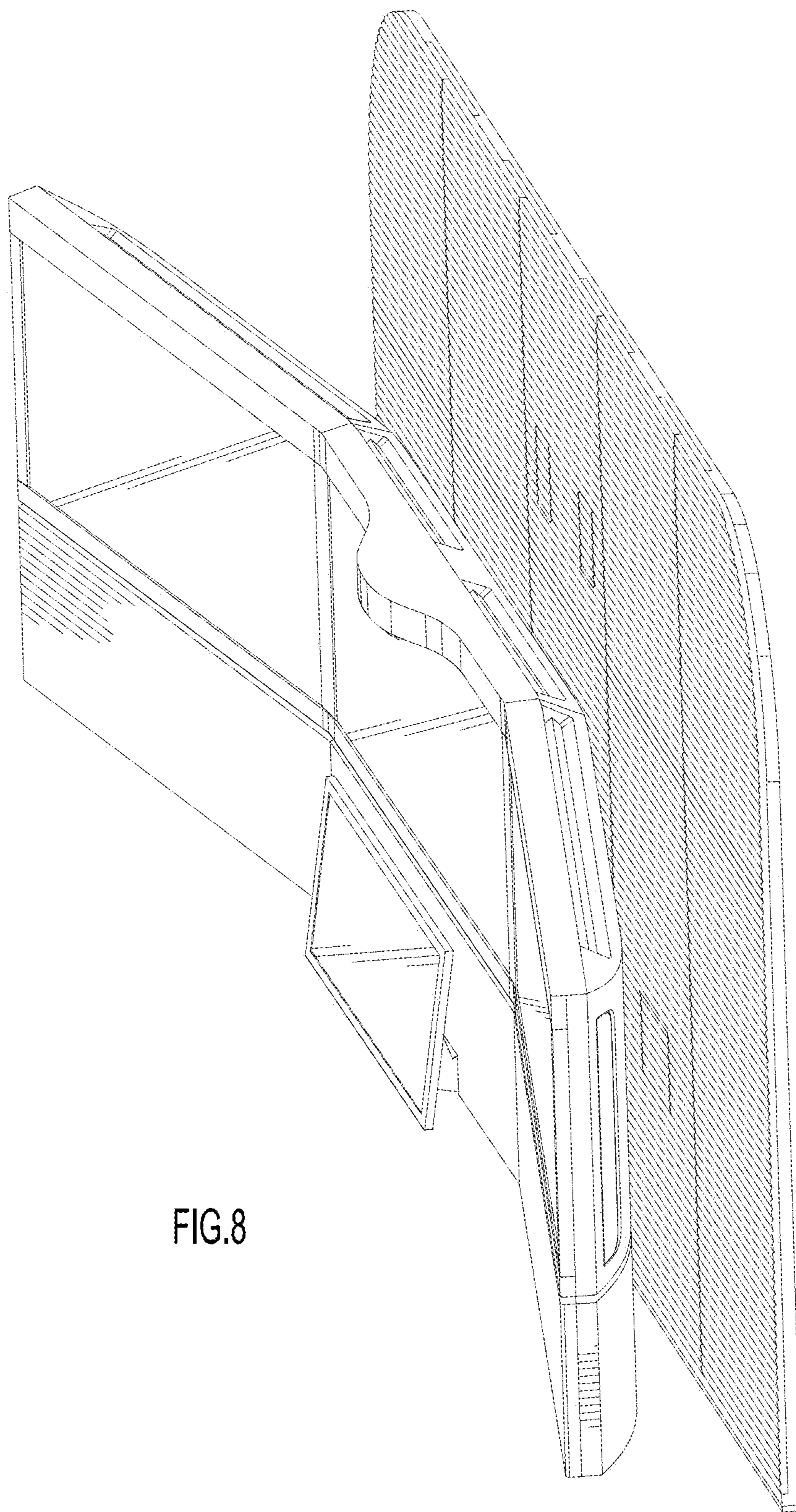


FIG.8