



US00D719925S

(12) **United States Design Patent**  
**Freeman**

(10) **Patent No.:** **US D719,925 S**  
(45) **Date of Patent:** **\*\* Dec. 23, 2014**

(54) **LED MODULE**

(71) Applicant: **Glenn Freeman**, San Antonio, TX (US)

(72) Inventor: **Glenn Freeman**, San Antonio, TX (US)

(73) Assignee: **General LED, Inc.**, San Antonio, TX (US)

(\*\*) Term: **14 Years**

(21) Appl. No.: **29/473,383**

(22) Filed: **Nov. 21, 2013**

(51) **LOC (10) Cl.** ..... **13-03**

(52) **U.S. Cl.**  
USPC ..... **D13/180**

(58) **Field of Classification Search**  
CPC ... H01L 25/167; H01L 25/0753; H01L 27/15;  
H01L 27/56; H01L 31/02; H01L 33/00;  
H01L 33/04; H01L 33/08; H01L 33/10;  
H01L 33/20; H01L 33/38; H01L 33/42;  
H01L 33/483; H01L 33/486  
USPC ..... D13/180; D26/1; 257/79, 80, 81, 88,  
257/89, 95, 98, 99, 100, E33.058; 313/483,  
313/498, 500; 362/249.01, 49.02, 555  
See application file for complete search history.

(56) **References Cited**

**U.S. PATENT DOCUMENTS**

6,188,527	B1 *	2/2001	Bohn	359/710
6,501,084	B1 *	12/2002	Sakai et al.	250/504 R
D497,883	S *	11/2004	Wedig et al.	D13/180
6,932,495	B2 *	8/2005	Sloan et al.	362/294
7,044,620	B2 *	5/2006	Van Duyn	362/294
7,140,751	B2 *	11/2006	Lin	362/249.02
D566,059	S *	4/2008	Tanaka	D13/180

D575,246	S *	8/2008	Fuwa et al.	D13/180
D578,492	S *	10/2008	Xu	D13/180
D594,576	S *	6/2009	Chan et al.	D26/1
D623,149	S *	9/2010	Peifer	D13/180
7,887,218	B2 *	2/2011	Wang	362/240
8,132,935	B2 *	3/2012	Park et al.	362/235
8,136,977	B2 *	3/2012	Chiang et al.	362/631
D663,048	S *	7/2012	Chen	D26/1
8,246,218	B2 *	8/2012	Gu et al.	362/311.02
D703,841	S *	4/2014	Feng et al.	D26/1
D708,360	S *	7/2014	Shibata et al.	D26/1
2003/0193803	A1 *	10/2003	Lin	362/250
2004/0223328	A1 *	11/2004	Lee et al.	362/249
2006/0092637	A1 *	5/2006	Yeh	362/249

\* cited by examiner

*Primary Examiner* — Selina Sikder

(74) *Attorney, Agent, or Firm* — Alan R. Thiele; Rosenthal Pauerstein Sandoloski Agather LLP

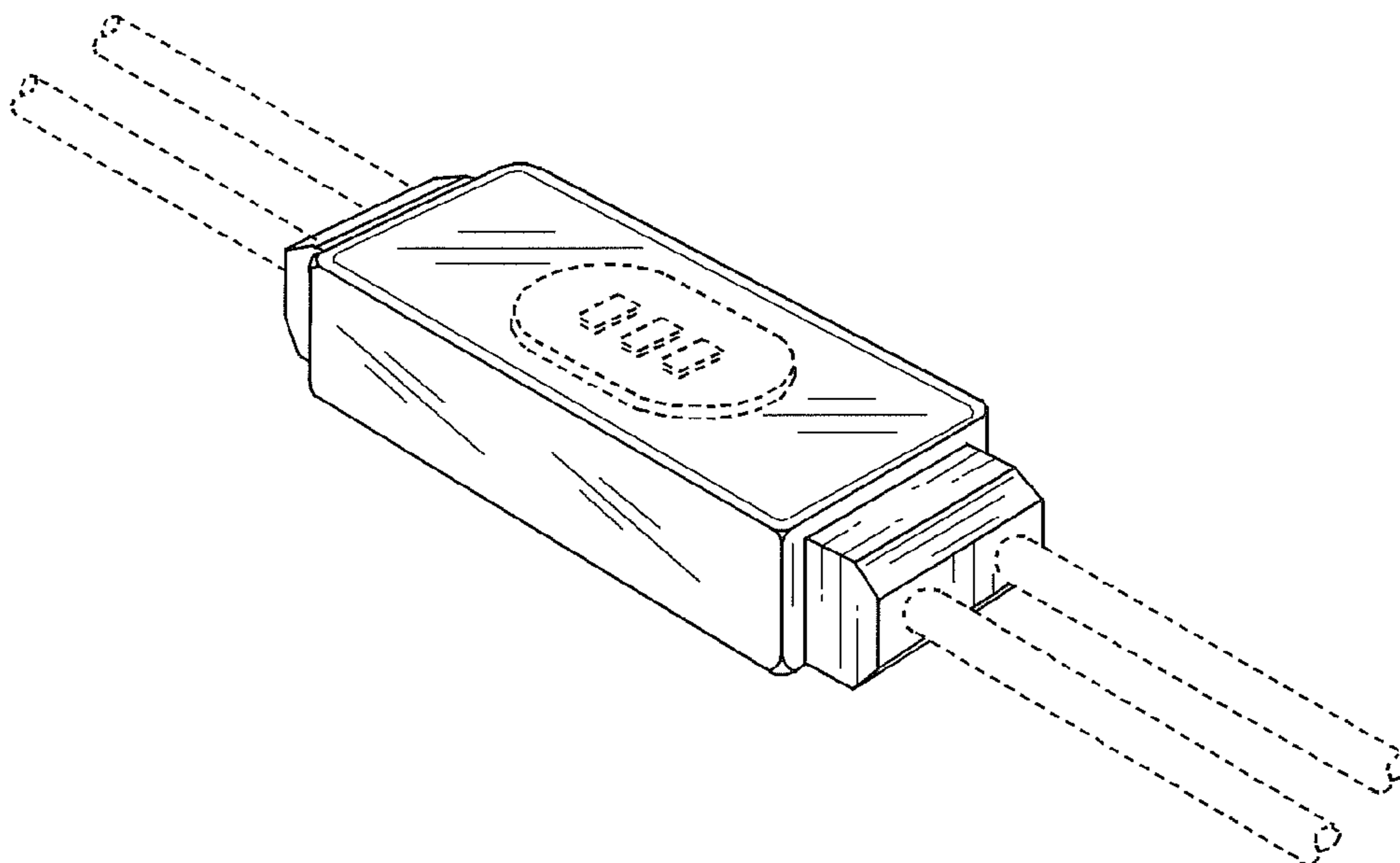
(57) **CLAIM**

I claim the ornamental design for an LED module, as shown and described.

**DESCRIPTION**

FIG. 1 is a perspective view of an LED module showing my new design;  
FIG. 2 is a top plan view thereof;  
FIG. 3 is a front devotional view thereof;  
FIG. 4 is a bottom plan view thereof;  
FIG. 5 is a rear elevational view thereof;  
FIG. 6 is a left side elevational view thereof; and,  
FIG. 7 is a right side elevational view thereof.  
The broken lines shown on the drawing views is for the purpose of illustrating environmental structure and forms no part of the claimed design.

**1 Claim, 2 Drawing Sheets**



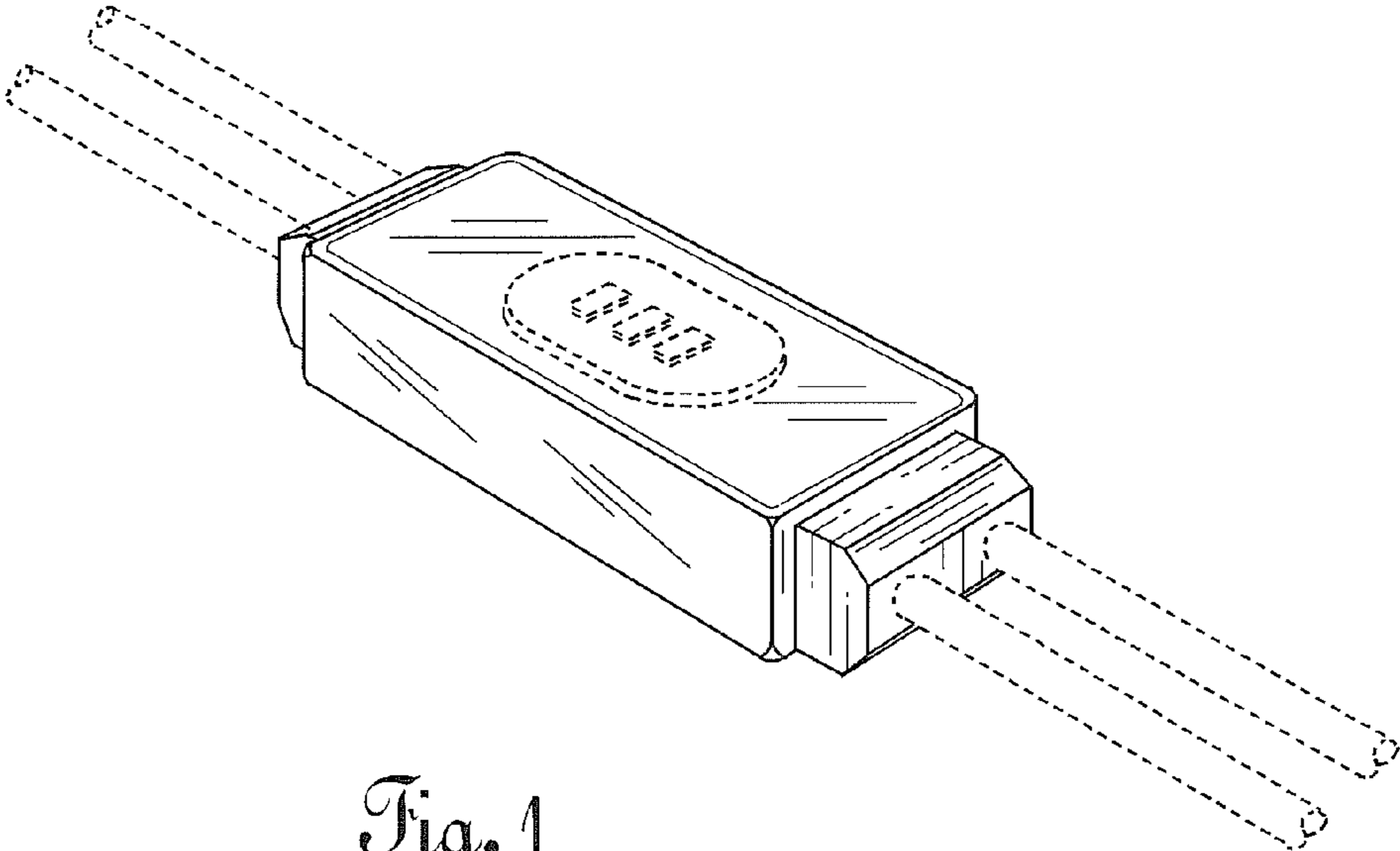


Fig. 1

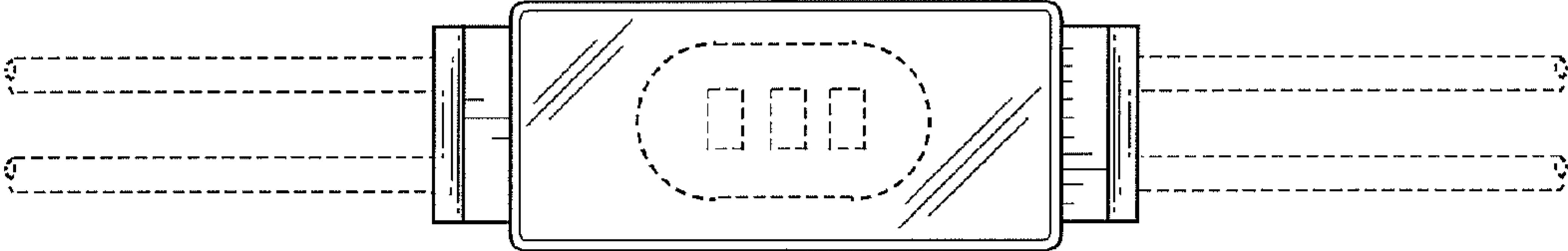


Fig. 2

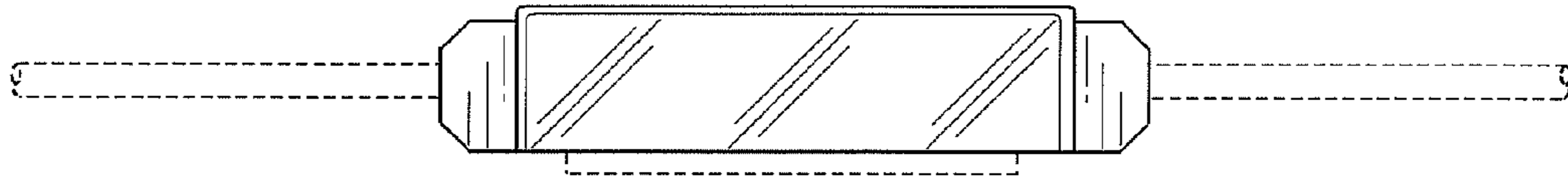


Fig. 3

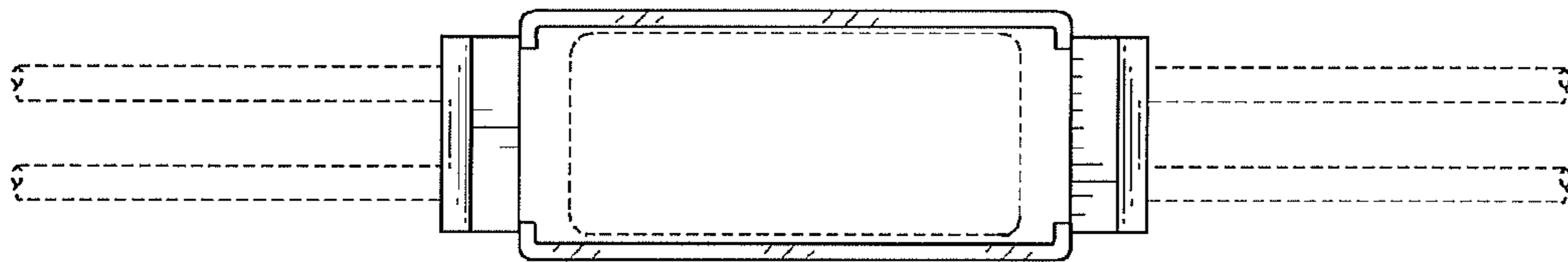


Fig. 4

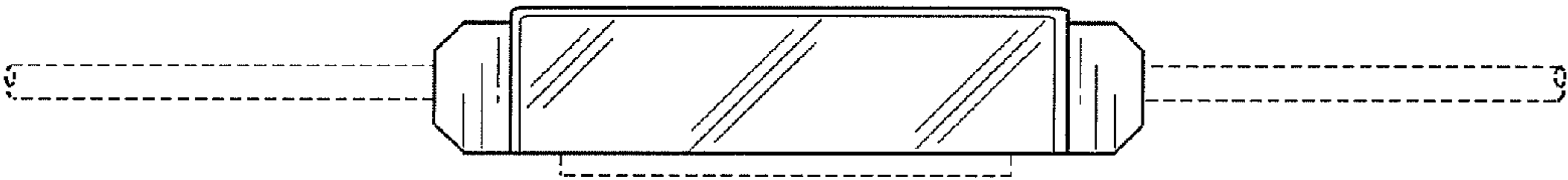


Fig. 5

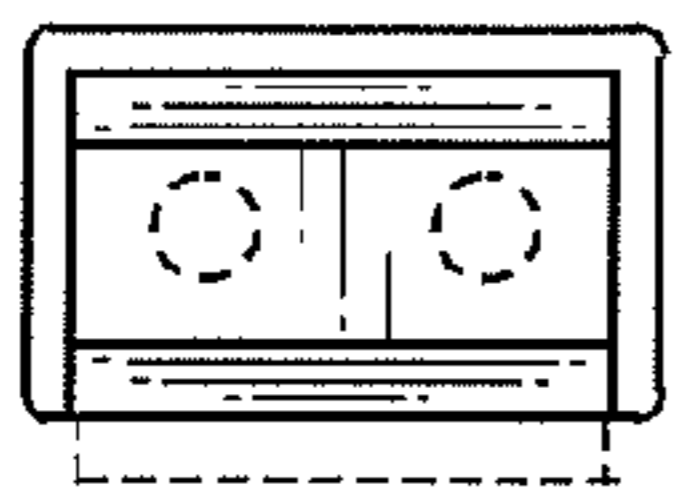


Fig. 6

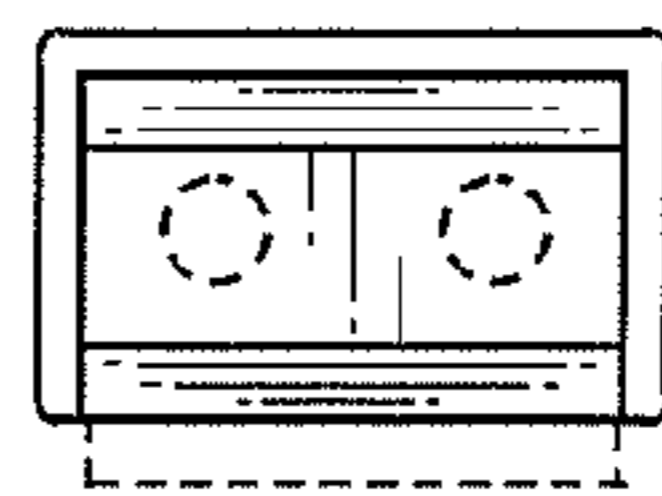


Fig. 7