



US00D719924S

(12) **United States Design Patent**
Ueno et al.

(10) **Patent No.:** **US D719,924 S**
(45) **Date of Patent:** **** Dec. 23, 2014**

(54) **PUSH SWITCH**

(71) Applicant: **Hokuriku Electric Industry Co., Ltd.**,
Toyama-shi, Toyama (JP)

(72) Inventors: **Satoshi Ueno**, Toyama Prefecture (JP);
Seiji Maeda, Toyama Prefecture (JP);
Akira Tanikawa, Toyama Prefecture (JP)

(73) Assignee: **Hokuriku Electric Industry Co., Ltd.**,
Toyama-Shi (JP)

(**) Term: **14 Years**

(21) Appl. No.: **29/467,852**

(22) Filed: **Sep. 24, 2013**

(30) **Foreign Application Priority Data**

Mar. 26, 2013 (JP) 2013-6691

(51) **LOC (10) Cl.** **13-03**

(52) **U.S. Cl.**
USPC **D13/171**

(58) **Field of Classification Search**
USPC D13/171, 174; 307/139; 200/5 R, 5 A,
200/302.2, 520, 530, 293, 296, 406, 516,
200/308, 310, 314, 329, 341
See application file for complete search history.

(56) **References Cited**

U.S. PATENT DOCUMENTS

6,995,324	B2 *	2/2006	Asada	200/1 B
7,057,128	B1 *	6/2006	Oyagi et al.	200/406
D533,144	S *	12/2006	Asada	D13/171
D537,797	S *	3/2007	Yanai et al.	D13/171
7,429,707	B2 *	9/2008	Yanai et al.	200/1 B
7,557,320	B1 *	7/2009	Crooijmans et al.	200/406
D598,870	S *	8/2009	Asada	D13/171

8,212,160	B2 *	7/2012	Tsao	200/1 B
D680,503	S *	4/2013	Kawashima et al.	D13/171
D688,636	S *	8/2013	Oishi et al.	D13/171
8,604,375	B2 *	12/2013	Yltchev et al.	200/406
D701,785	S *	4/2014	Saikawa et al.	D10/108
D702,577	S *	4/2014	Saikawa et al.	D10/108
8,759,704	B2 *	6/2014	Inamoto et al.	200/406
2008/0164133	A1 *	7/2008	Hayafune	200/516
2011/0284357	A1 *	11/2011	Yasunaga et al.	200/530
2012/0241302	A1 *	9/2012	Ishigame et al.	200/530

FOREIGN PATENT DOCUMENTS

JP	905888	S	9/1994
JP	1030983	S	1/1999
JP	1057284	S	12/1999
JP	2000-294079	A	10/2000

(Continued)

Primary Examiner — Selina Sikder

(74) *Attorney, Agent, or Firm* — Rankin, Hill & Clark LLP

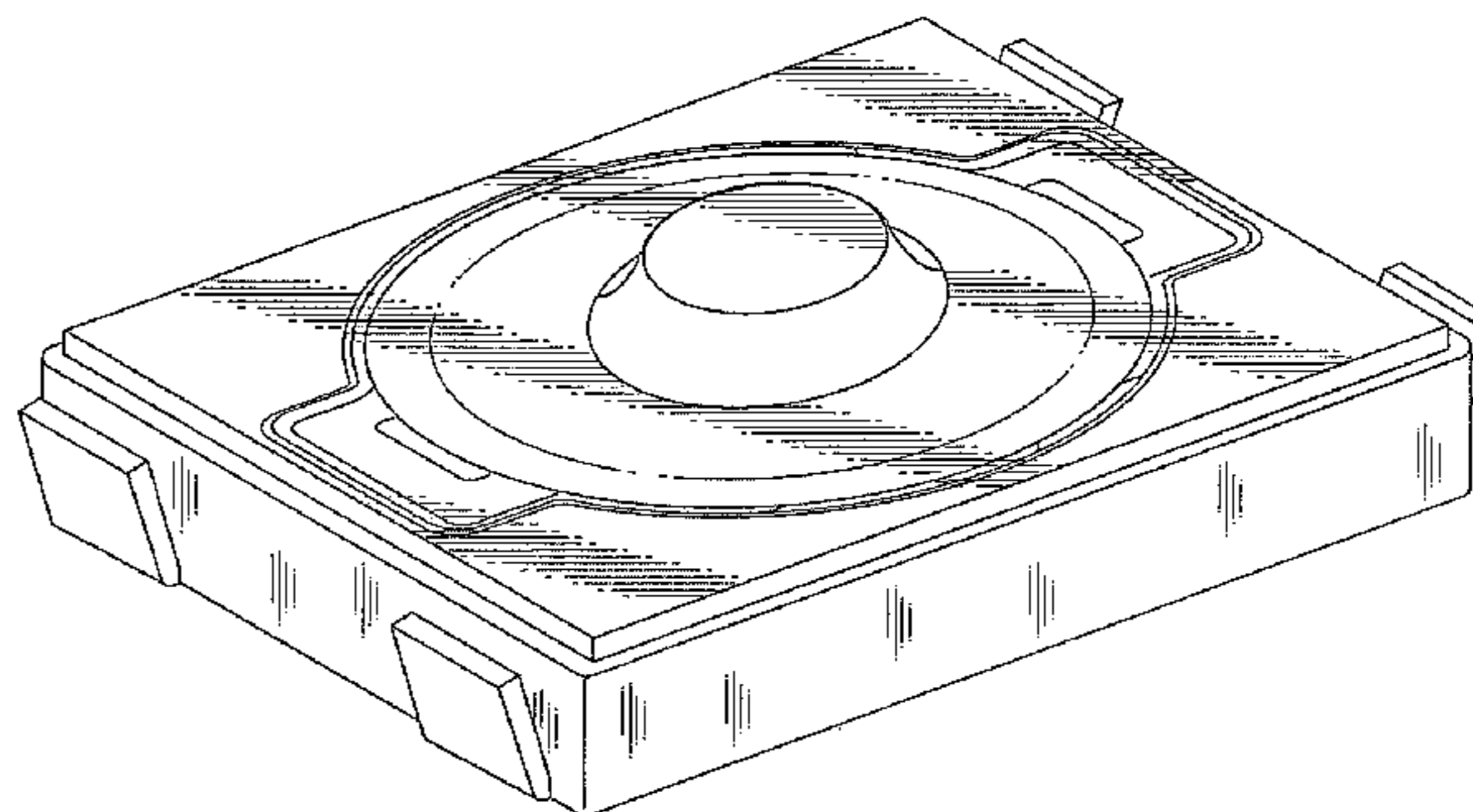
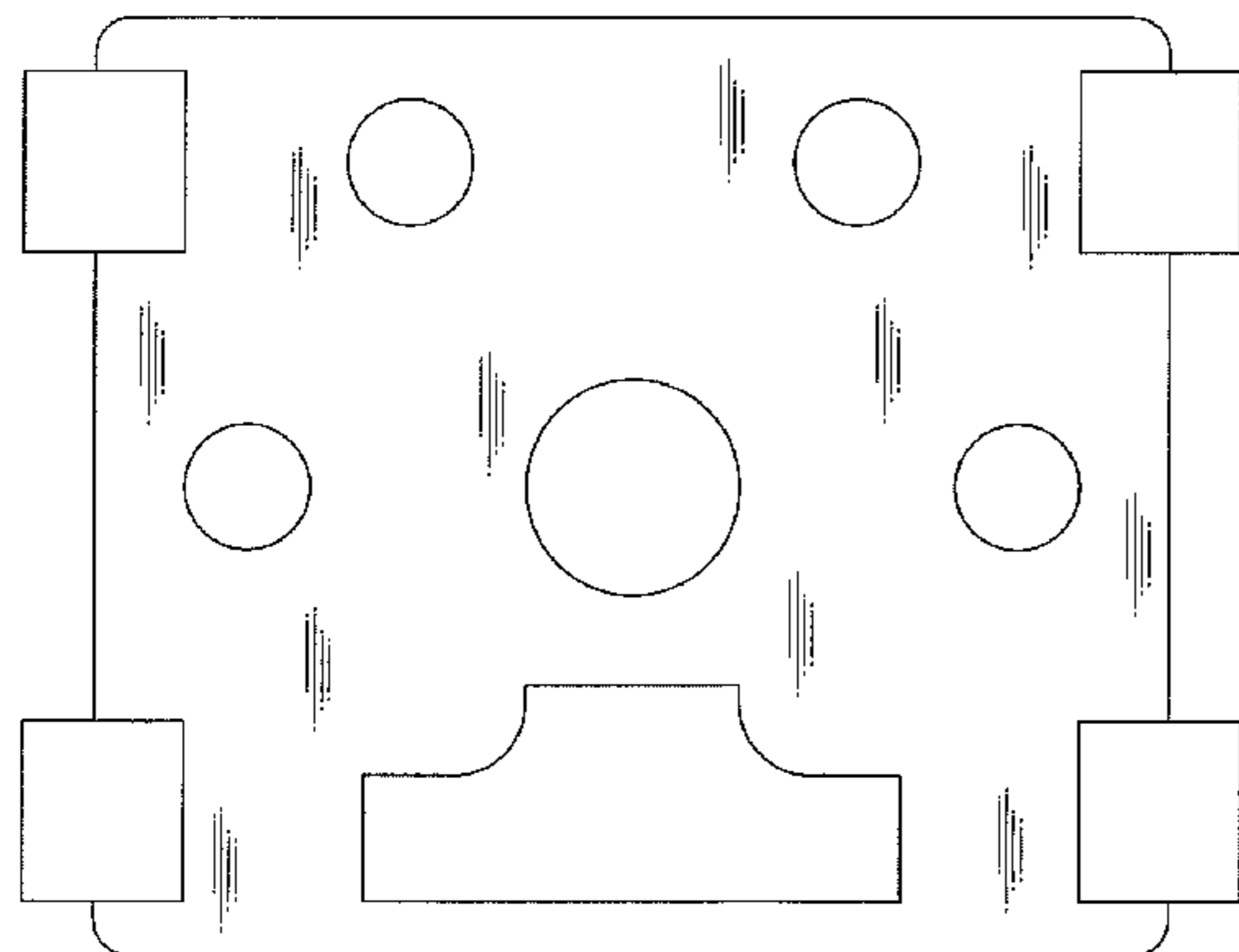
(57) **CLAIM**

We claim the ornamental design for a push switch, as shown and described.

DESCRIPTION

FIG. 1 is a front elevation view of a push switch.
 FIG. 2 is a rear elevation view thereof.
 FIG. 3 is a right side elevation view thereof.
 FIG. 4 is a left side elevation view thereof.
 FIG. 5 is a top plan view thereof.
 FIG. 6 is a bottom plan view thereof.
 FIG. 7 is a cross-sectional view thereof, taken along the line 7-7 in FIG. 5.
 FIG. 8 is a cross-sectional view thereof, taken along the line 8-8 in FIG. 5; and,
 FIG. 9 is a perspective view thereof.
 The article is used, for example, for small electronic devices, such as mobile phones.

1 Claim, 9 Drawing Sheets



(56)

References Cited

JP	1170338 S	4/2003
JP	1251969 S	9/2005

FOREIGN PATENT DOCUMENTS

JP 1153754 S 9/2002

* cited by examiner

FIG.1

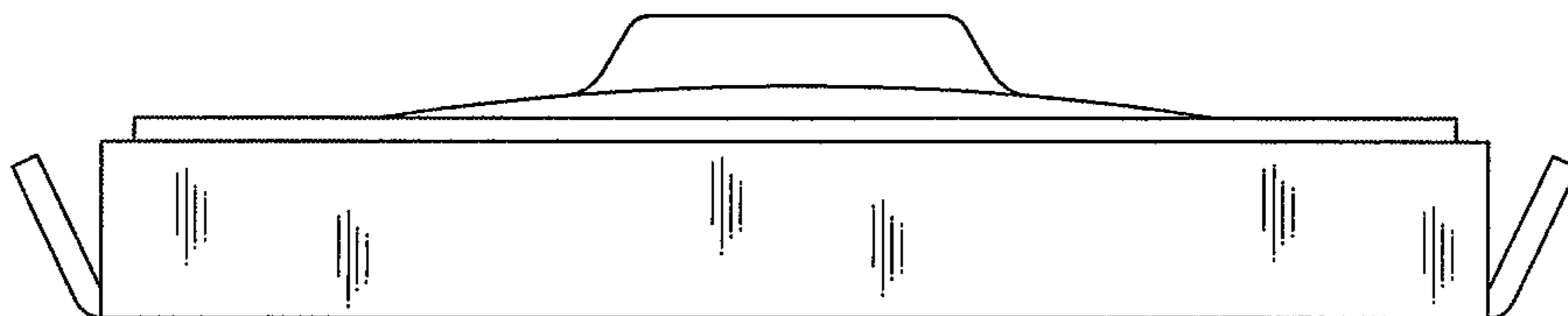


FIG.2

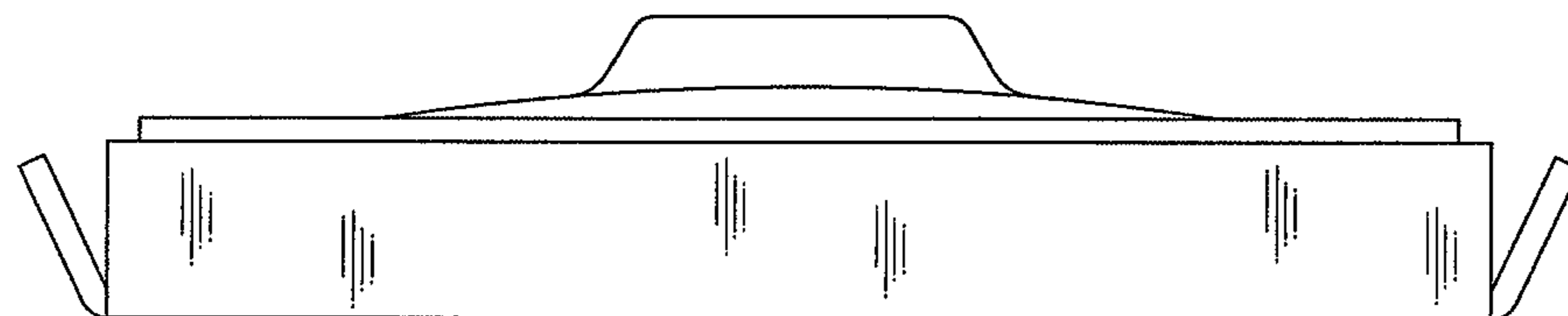


FIG.3

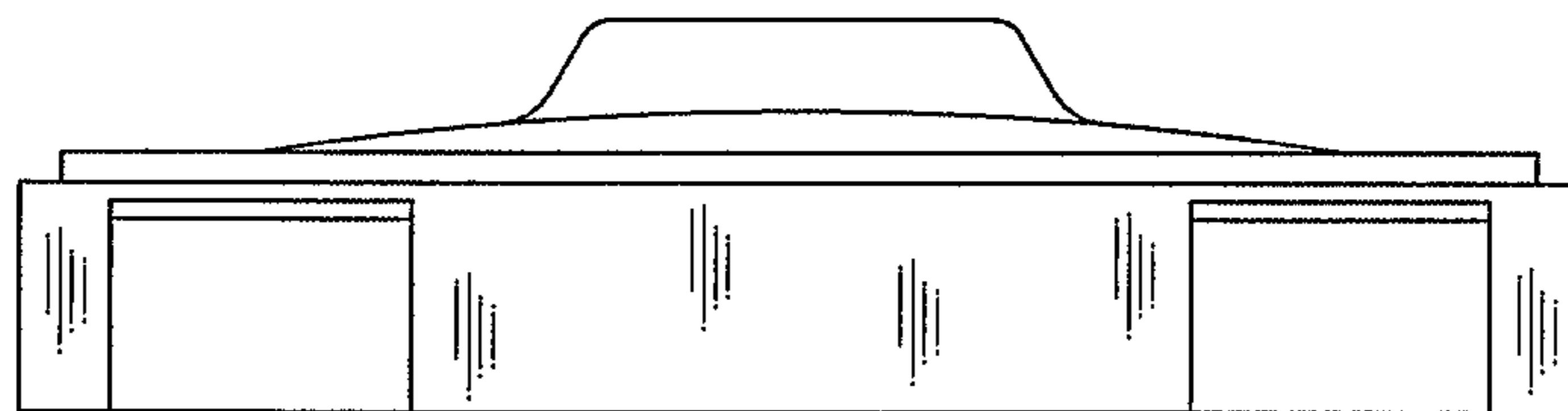


FIG.4

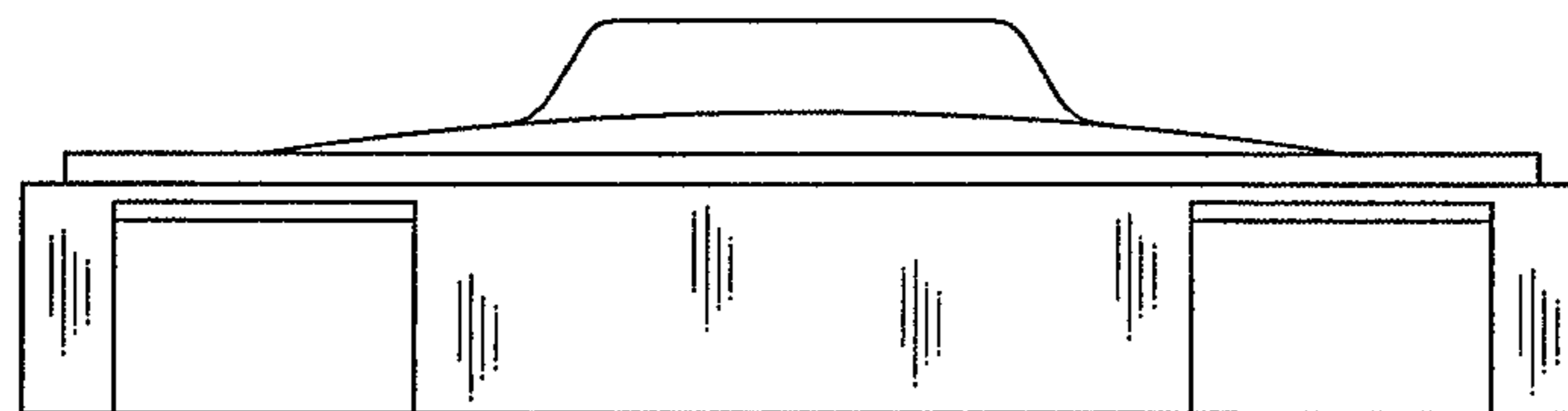


FIG.5

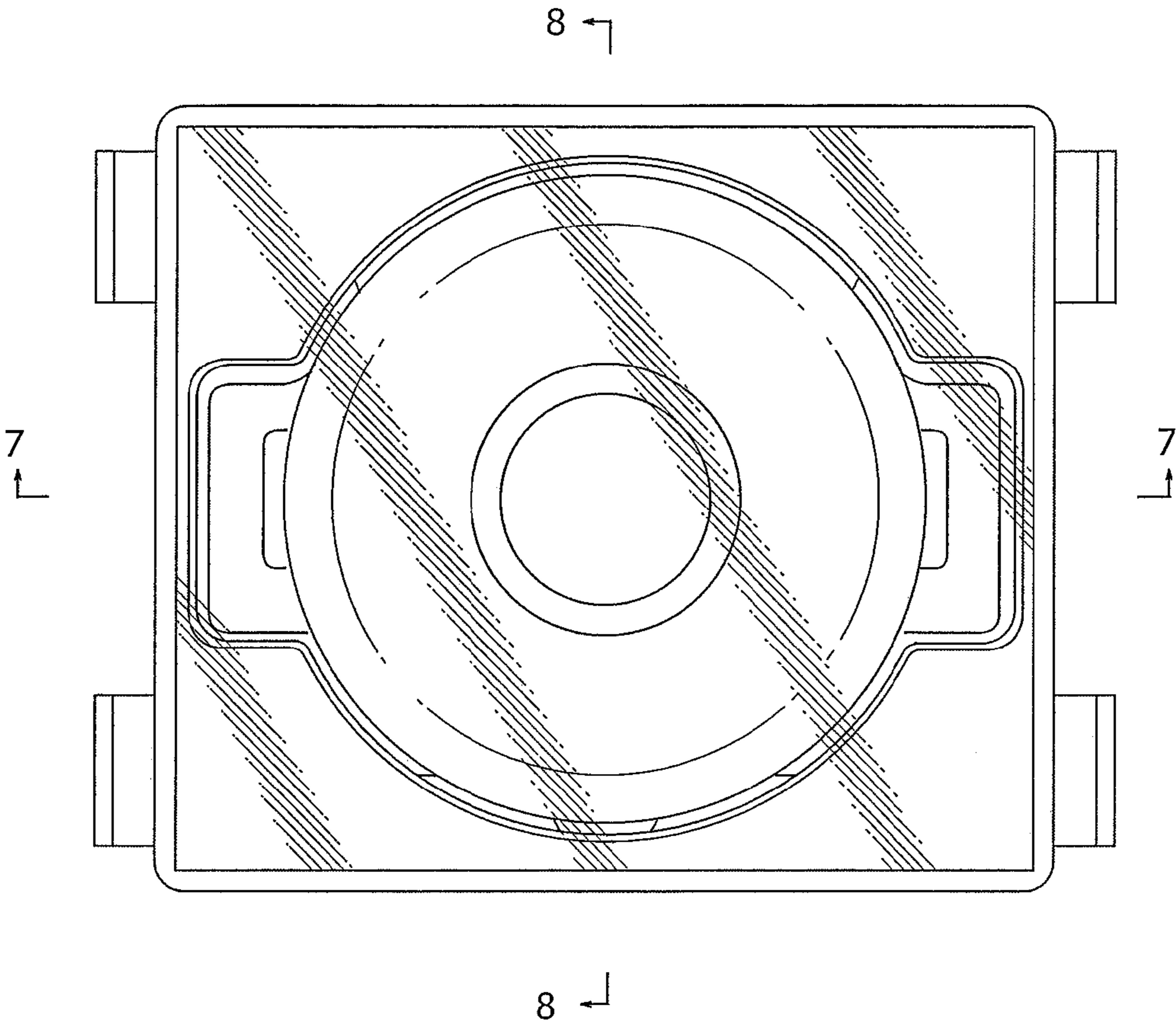


FIG.6

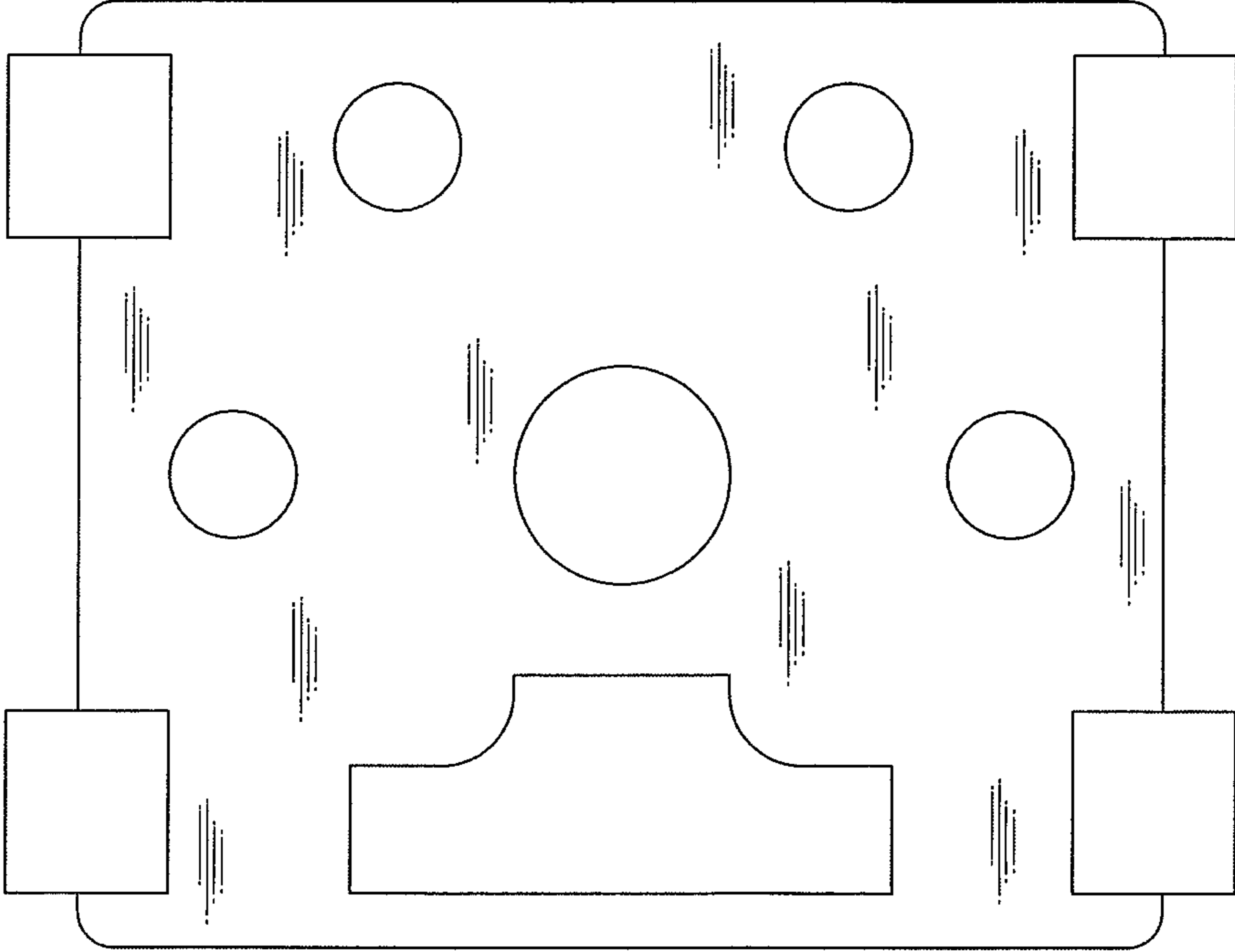


FIG.7

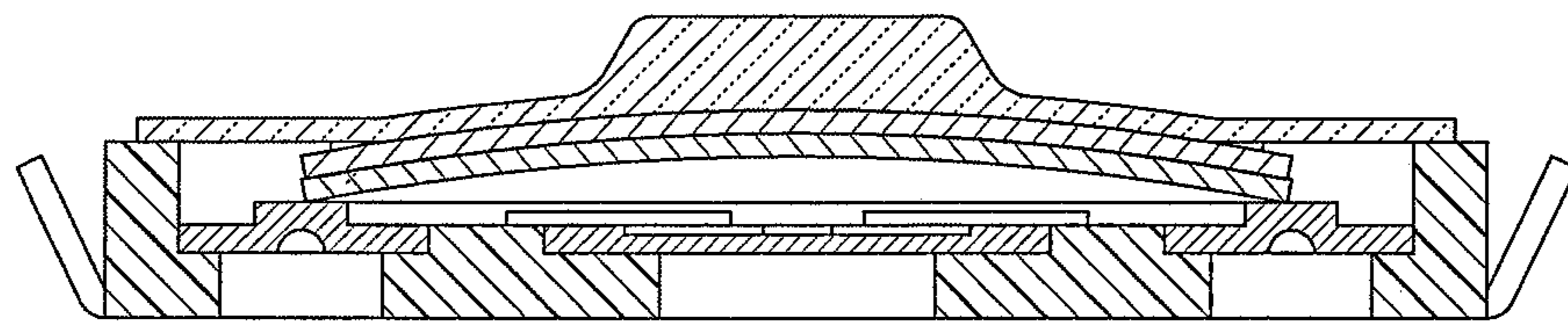


FIG.8

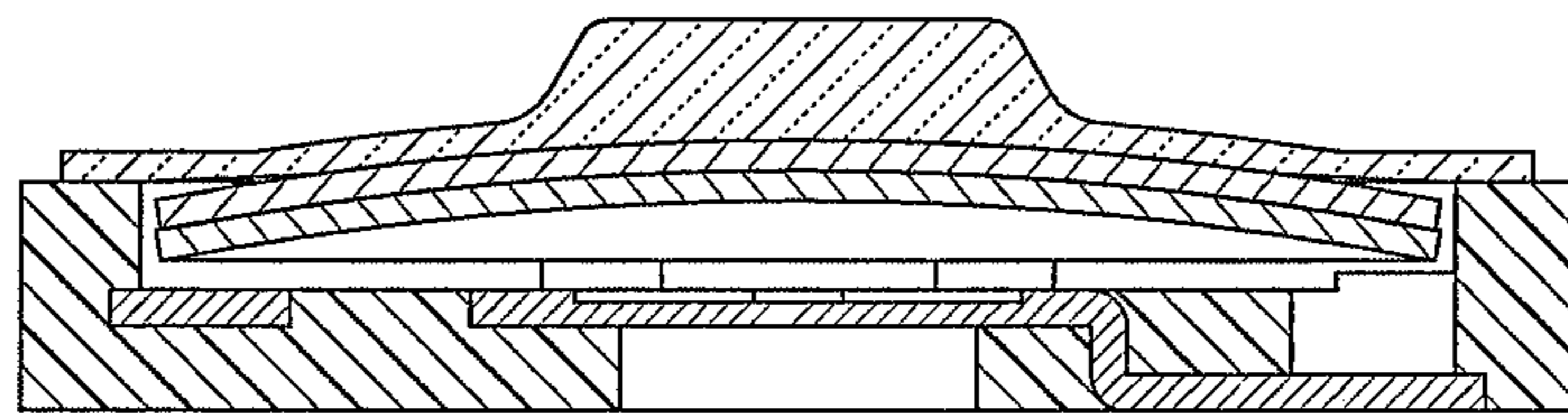


FIG.9

