



US00D719921S

(12) **United States Design Patent**  
**Choi et al.**

(10) **Patent No.:** **US D719,921 S**

(45) **Date of Patent:** **\*\* Dec. 23, 2014**

(54) **FEMALE CONNECTOR**

(71) Applicant: **Uju Electronics Co., Ltd.**, Hwaseong-si,  
Gyeonggi-do (KR)

(72) Inventors: **Suk-Jin Choi**, Hwaseong-si (KR);  
**Guen-O Lee**, Suwon-si (KR)

(73) Assignee: **Uju Electronics Co., Ltd.**, Gyeonggi-Do  
(KR)

(\*\*) Term: **14 Years**

(21) Appl. No.: **29/477,841**

(22) Filed: **Dec. 27, 2013**

(30) **Foreign Application Priority Data**

Nov. 8, 2013 (KR) ..... 30-2013-0056302

(51) **LOC (10) Cl.** ..... **13-03**

(52) **U.S. Cl.**  
USPC ..... **D13/147**

(58) **Field of Classification Search**  
USPC ..... D13/147, 154, 184, 199  
See application file for complete search history.

(56) **References Cited**

U.S. PATENT DOCUMENTS

D528,987 S *	9/2006	Peng .....	D13/147
D642,986 S *	8/2011	Nishimura et al. ....	D13/147
D683,317 S *	5/2013	Nishimura et al. ....	D13/147
D692,833 S *	11/2013	Nishimura et al. ....	D13/147

\* cited by examiner

*Primary Examiner* — Daniel Bui

(74) *Attorney, Agent, or Firm* — IPLA P.A.; James E. Bame

(57) **CLAIM**

The ornamental design for a female connector, as shown and described.

**DESCRIPTION**

FIG. 1 is a top perspective view of a female connector showing our new design;  
FIG. 2 is a front elevational view thereof, the rear elevational view being a mirror image;  
FIG. 3 is a left side elevational view thereof, the opposite side being a mirror image;  
FIG. 4 is a top plan view thereof; and,  
FIG. 5 is a bottom plan view thereof.

**1 Claim, 2 Drawing Sheets**

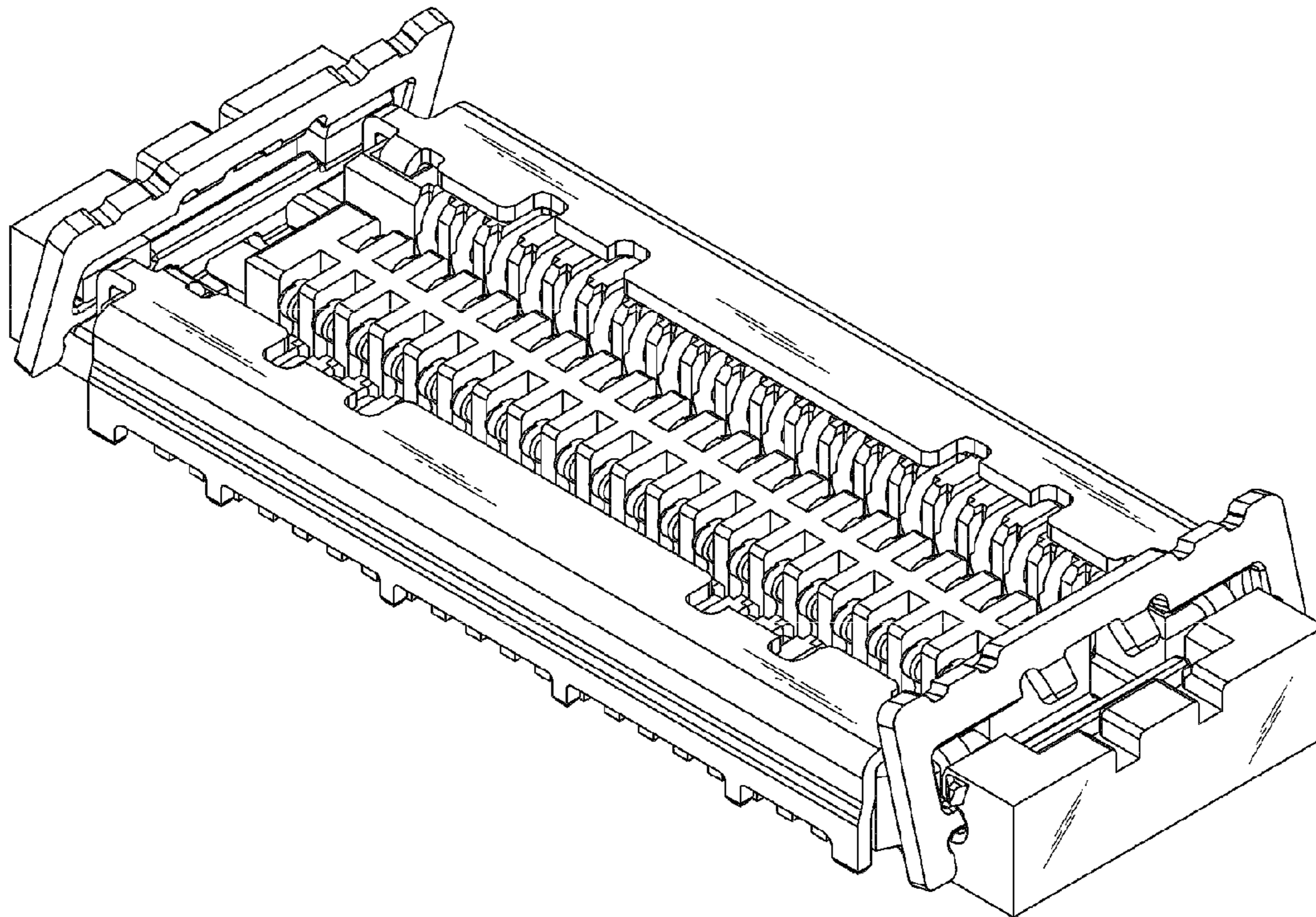


FIG. 1

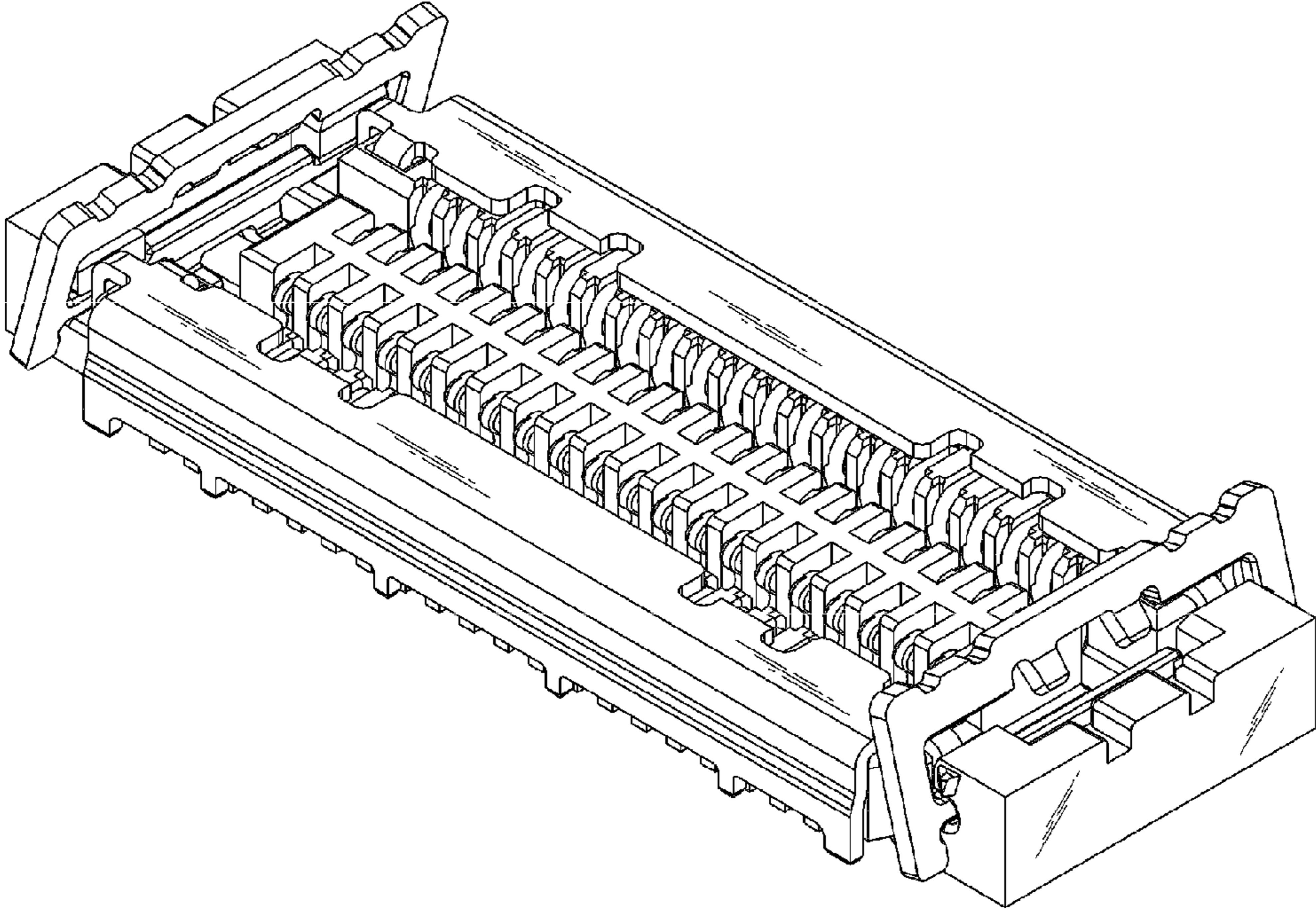


FIG. 2

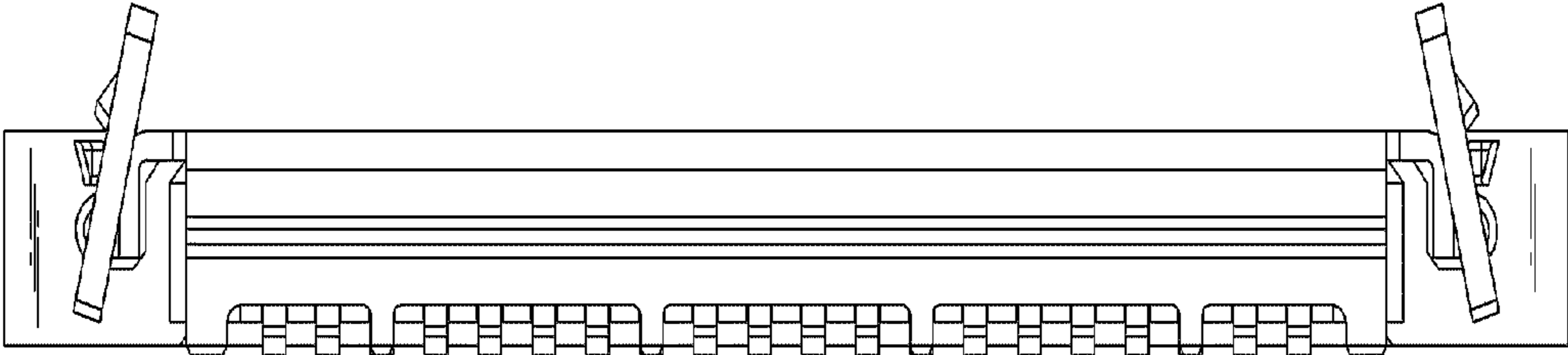


FIG. 3

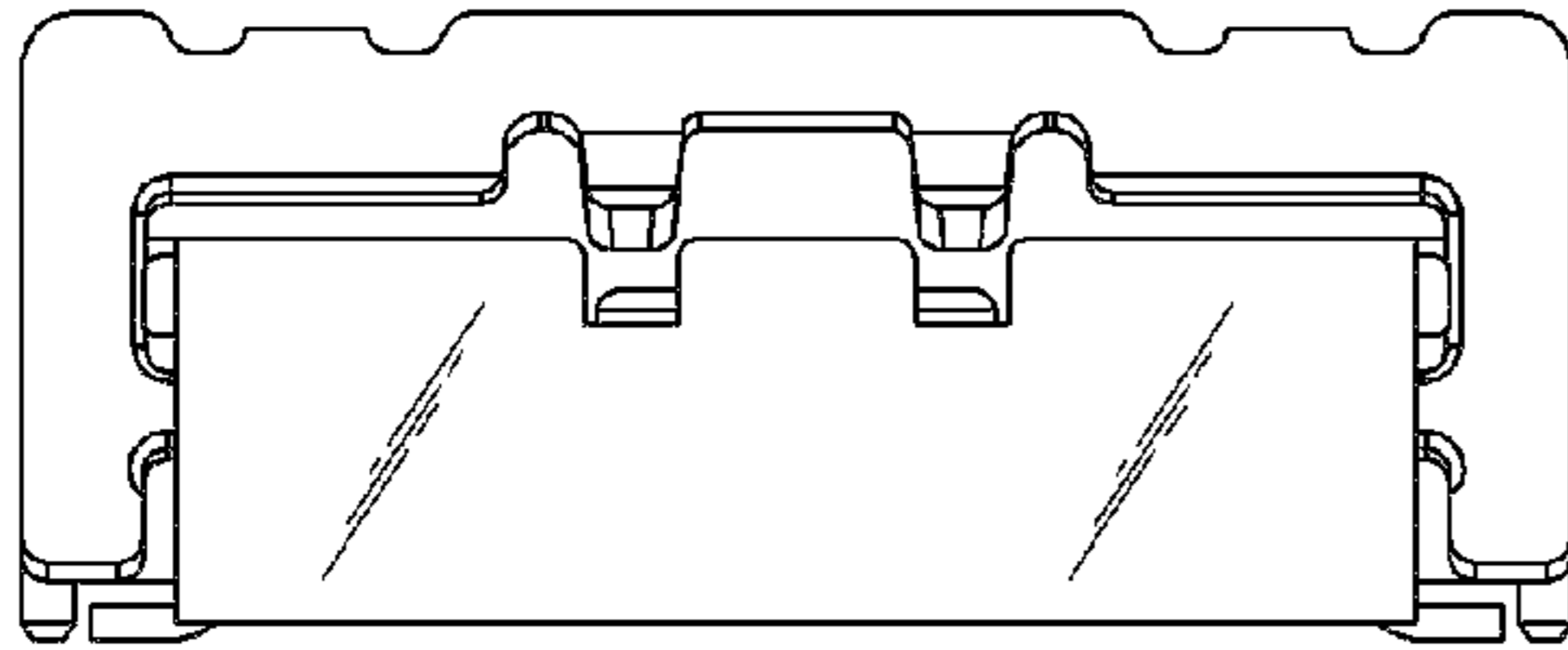


FIG. 4

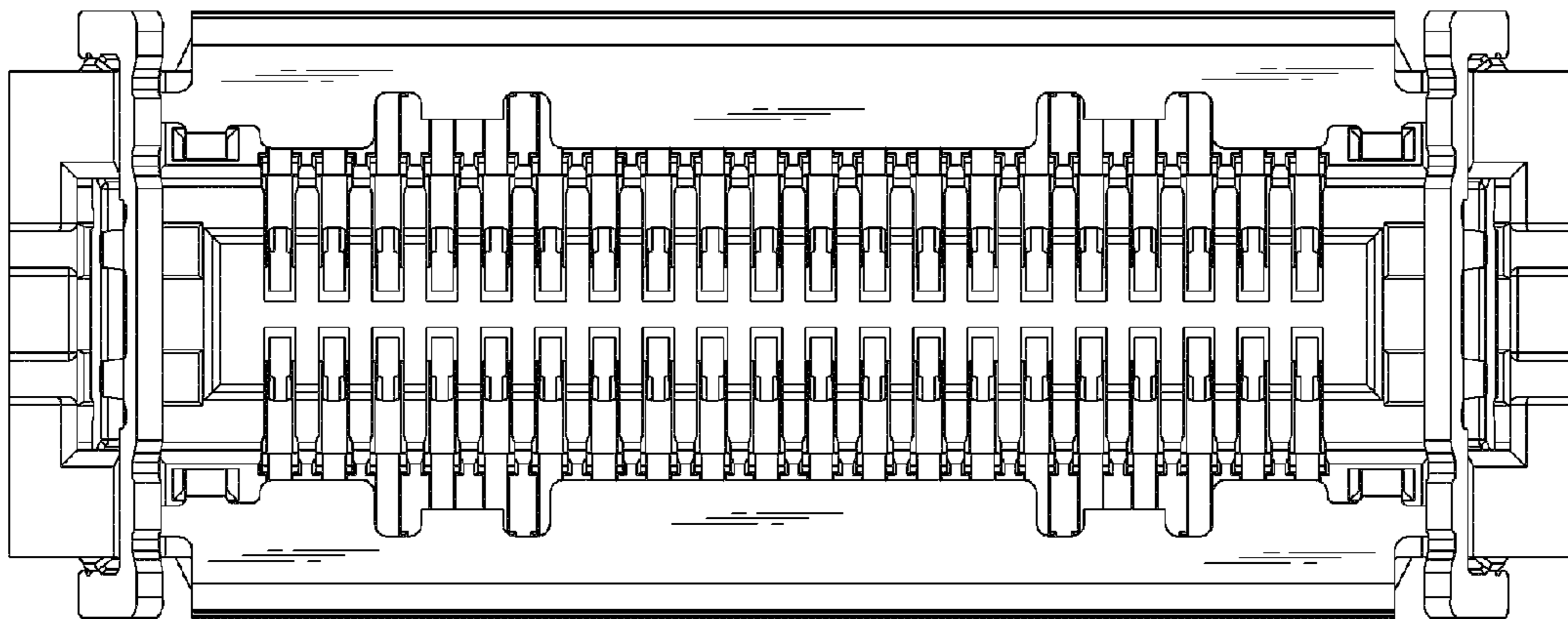


FIG. 5

