



US00D719919S

(12) **United States Design Patent**  
**Ashibu et al.**

(10) **Patent No.:** **US D719,919 S**  
(45) **Date of Patent:** **\*\* Dec. 23, 2014**

(54) **ELECTRICAL CONNECTOR**

(56) **References Cited**

(71) Applicant: **Japan Aviation Electronics Industry, Limited**, Tokyo (JP)

U.S. PATENT DOCUMENTS

(72) Inventors: **Kenta Ashibu**, Tokyo (JP); **Hiroyuki Yokoo**, Tokyo (JP)

D481,999 S \* 11/2003 Saito et al. .... D13/147  
D582,857 S \* 12/2008 Nakamura .... D13/147  
D600,209 S \* 9/2009 Matoba .... D13/147  
D600,647 S \* 9/2009 Hemmi et al. .... D13/147

(73) Assignee: **Japan Aviation Electronics Industry, Limited**, Tokyo (JP)

\* cited by examiner

(\*\*) Term: **14 Years**

*Primary Examiner* — Daniel Bui

(21) Appl. No.: **29/467,427**

(74) *Attorney, Agent, or Firm* — Cermak Nakajima & McGowan LLP; Tomoko Nakajima

(22) Filed: **Sep. 19, 2013**

(57) **CLAIM**

The ornamental design for an electrical connector, as shown.

(30) **Foreign Application Priority Data**

**DESCRIPTION**

Apr. 3, 2013 (JP) ..... 2013-007456

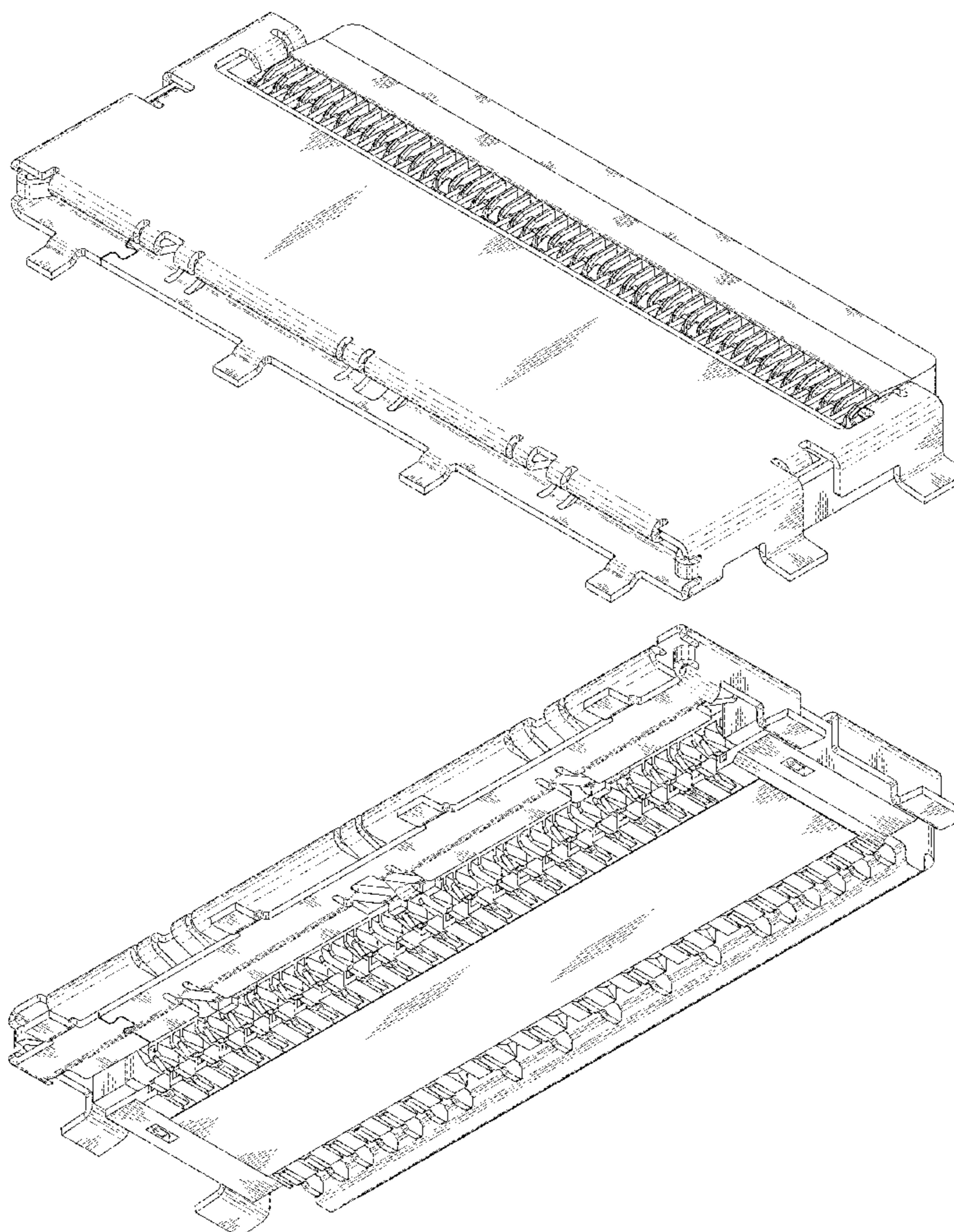
(51) **LOC (10) Cl.** ..... **13-03**

(52) **U.S. Cl.**  
USPC ..... **D13/147**

(58) **Field of Classification Search**  
USPC ..... D13/147, 154, 184, 199; 439/62, 260,  
439/325, 329, 395, 422, 492–499  
See application file for complete search history.

FIG. 1 is a front elevational view of an electrical connector showing our new design;  
FIG. 2 is a top plan view thereof;  
FIG. 3 is a right side elevational view thereof;  
FIG. 4 is a left side elevational view thereof;  
FIG. 5 is a rear elevational view thereof; and  
FIG. 6 is a bottom plan view thereof.  
FIG. 7 is a front and top perspective view thereof;  
FIG. 8 is a front and bottom perspective view thereof;  
FIG. 9 is a rear and top perspective view thereof; and,  
FIG. 10 is a rear and bottom perspective view thereof.

**1 Claim, 10 Drawing Sheets**



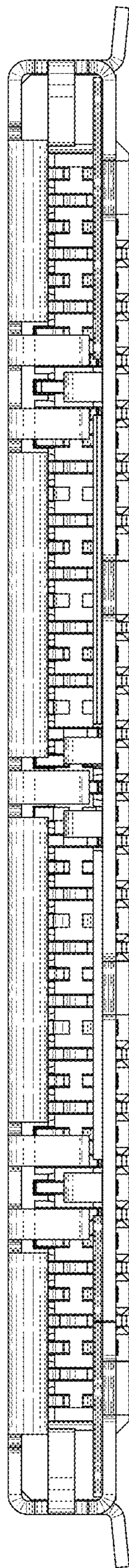


FIG.1

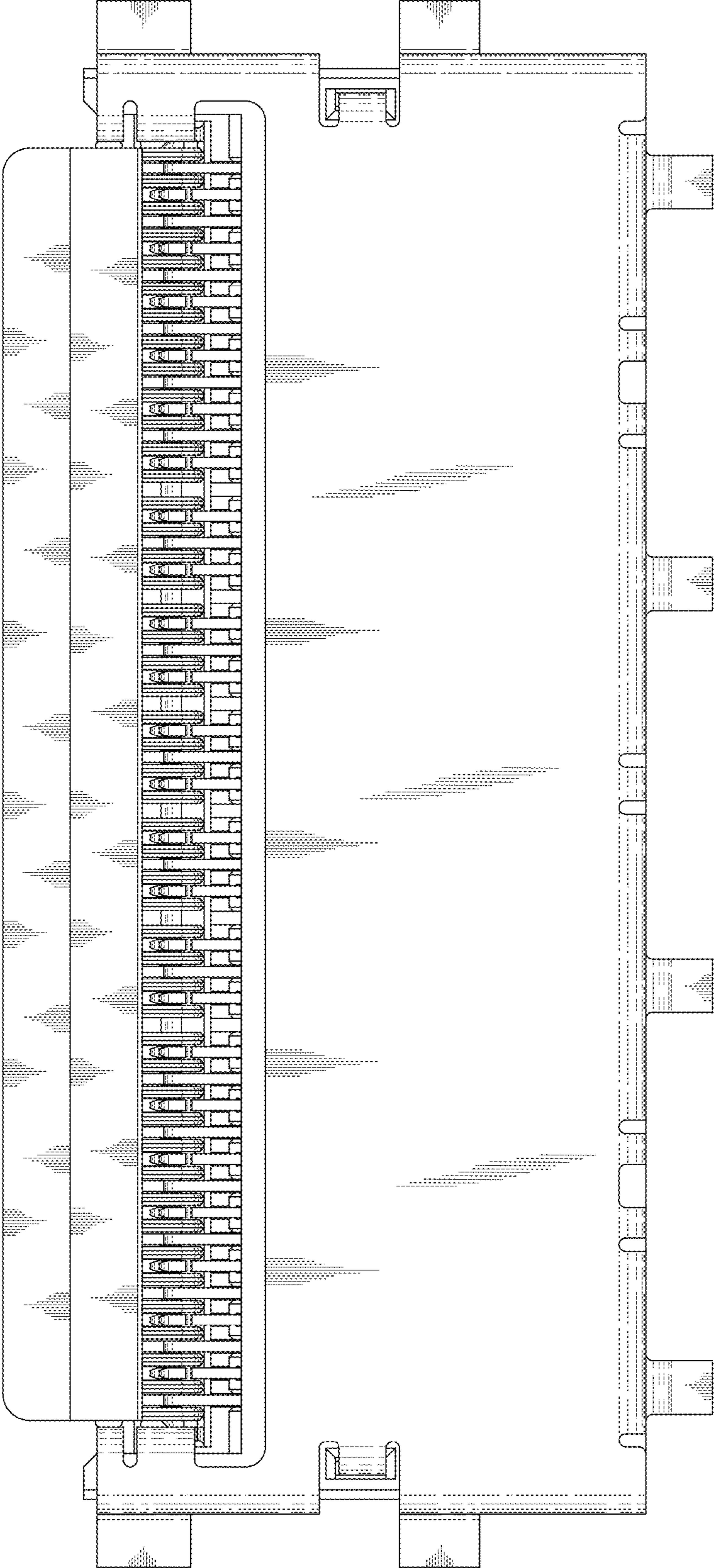


FIG.2



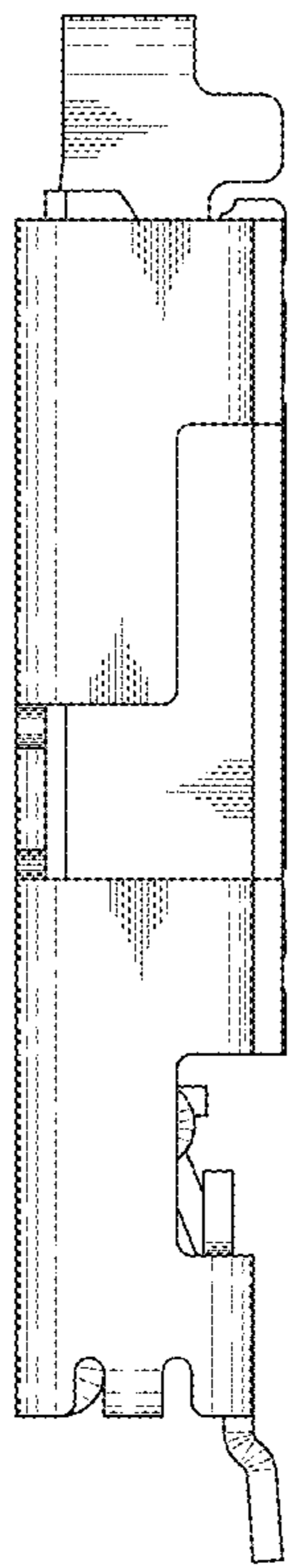


FIG.3

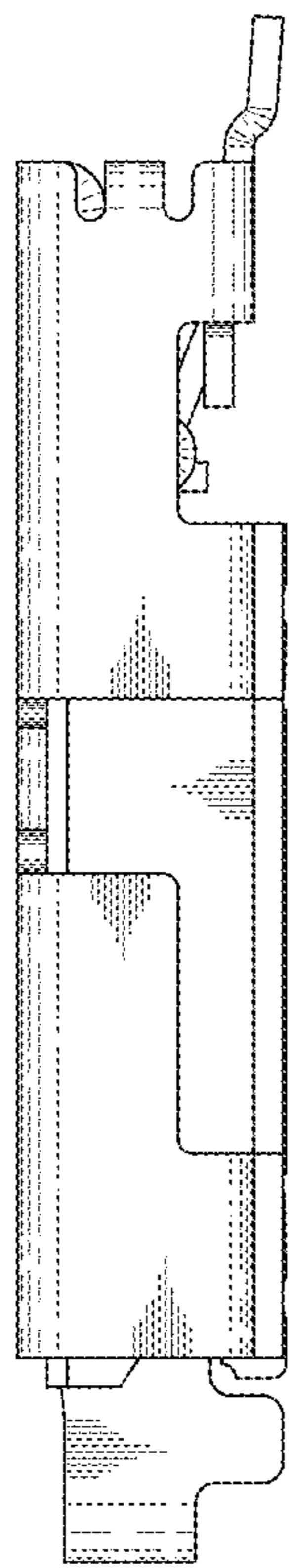


FIG.4

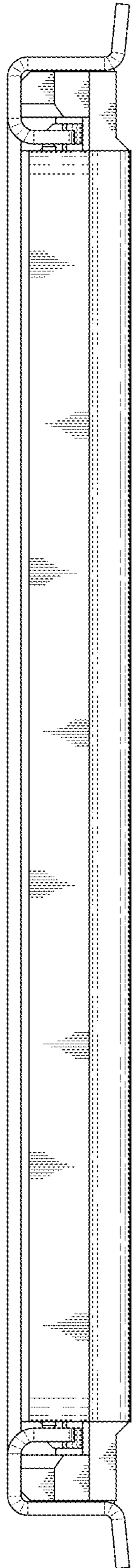


FIG. 5

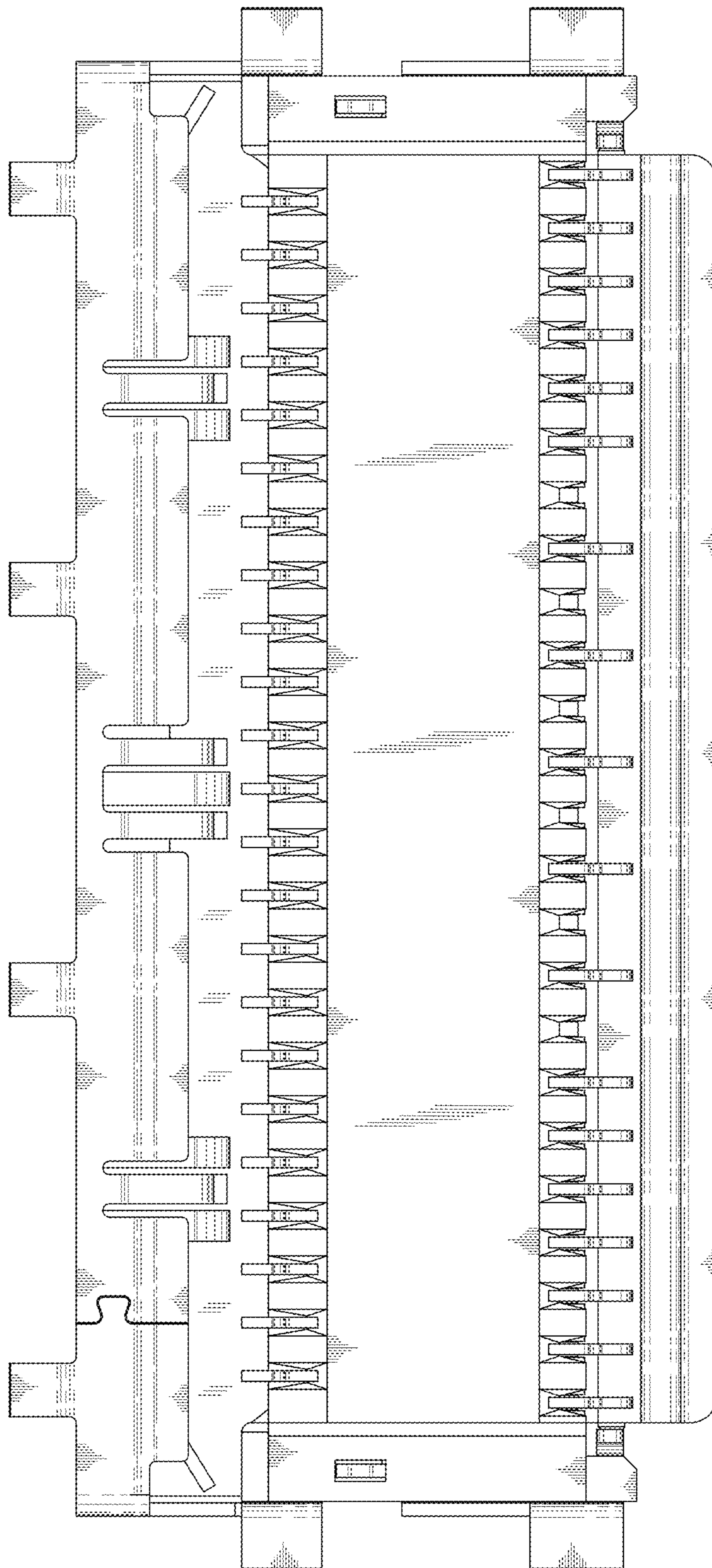


FIG.6

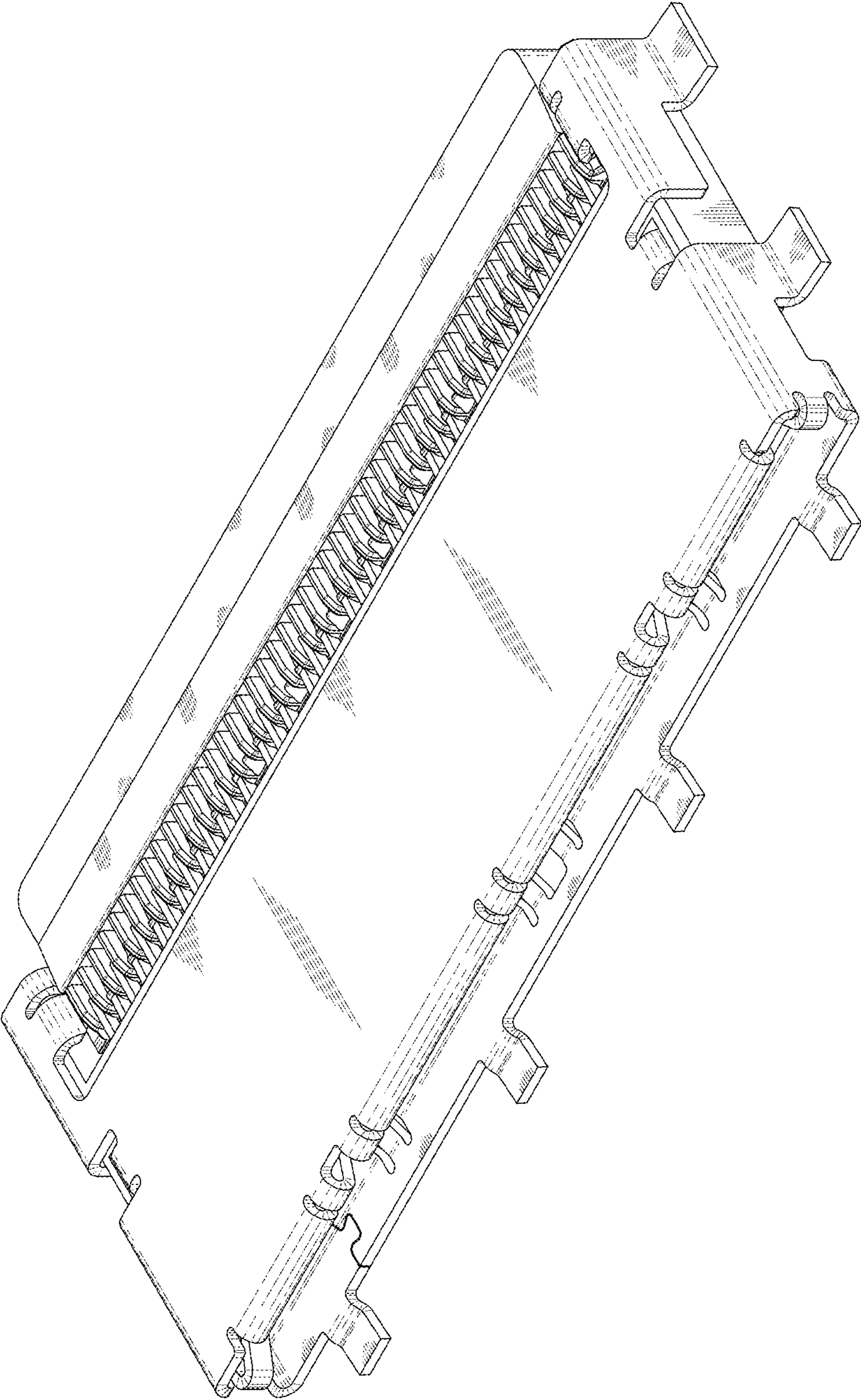


FIG.7



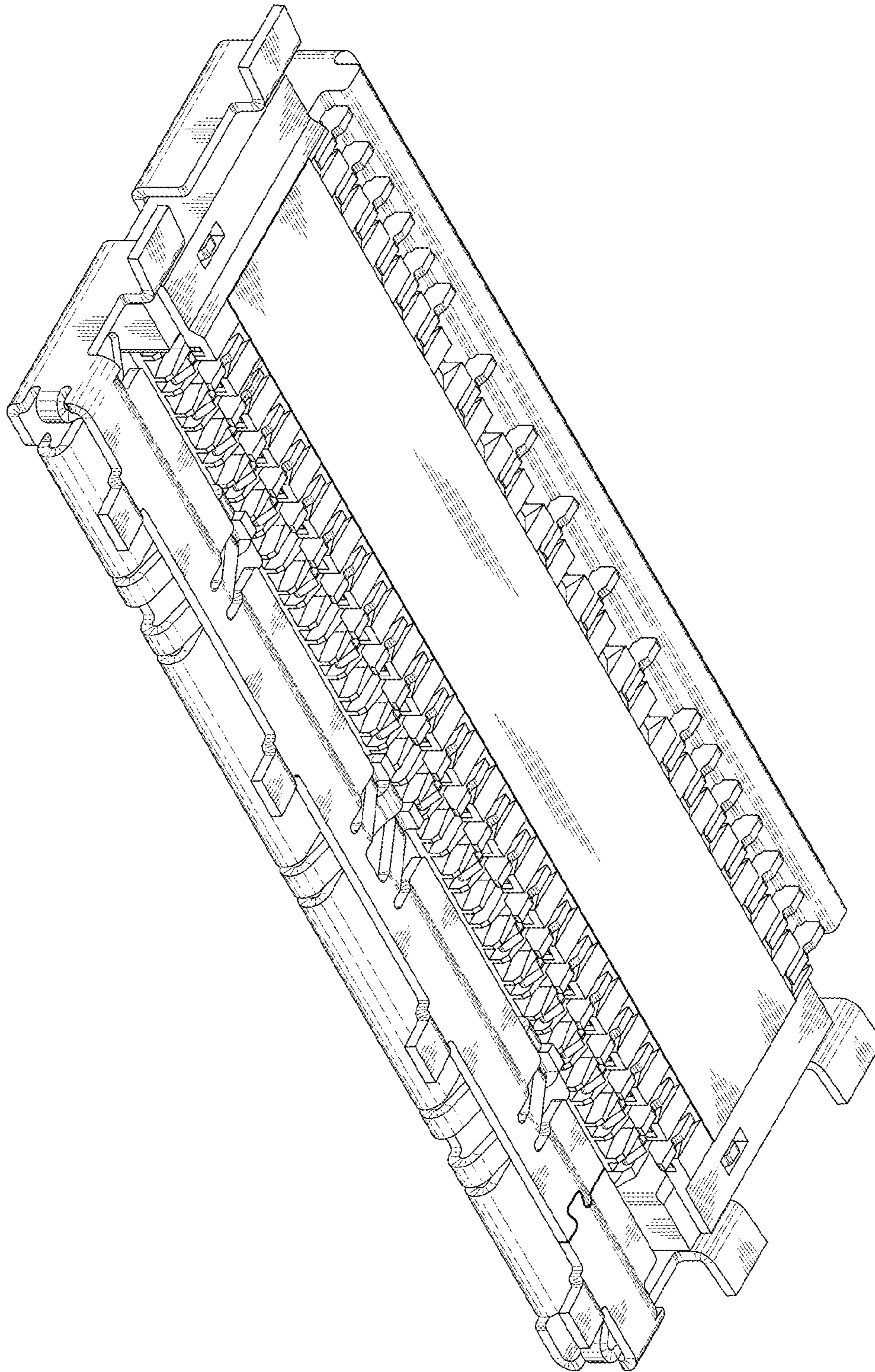


FIG.8

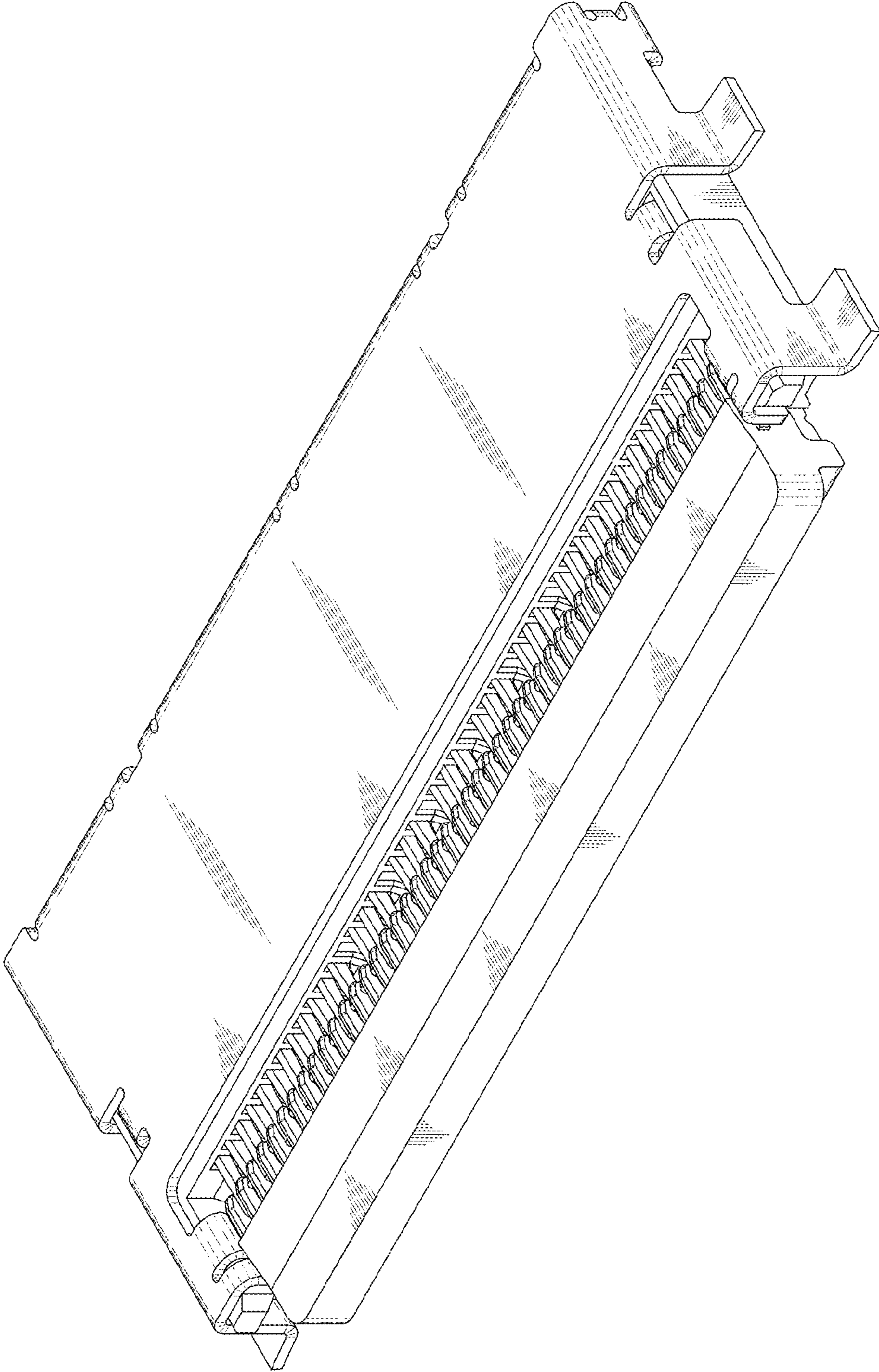


FIG.9



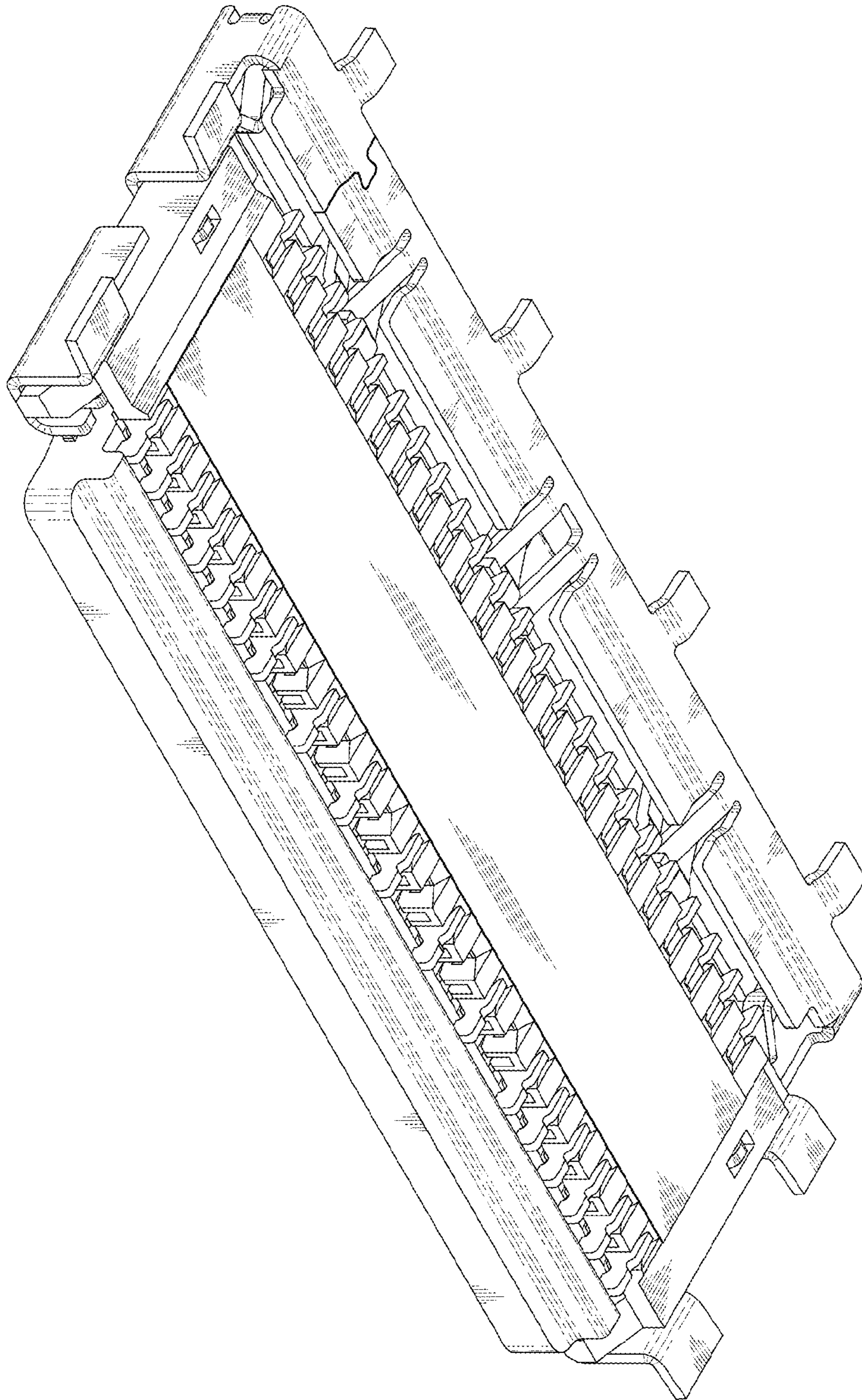


FIG.10