



US00D719918S

(12) **United States Design Patent**
Yu et al.

(10) **Patent No.:** **US D719,918 S**

(45) **Date of Patent:** **** Dec. 23, 2014**

(54) **MULTI-DIRECTION ADAPTER**

(75) Inventors: **Wang-I Yu**, Jhonghe (TW); **Hung-chi Tai**, Jhonghe (TW); **Yung-Chih Hung**, Jhonghe (TW)

(73) Assignee: **Alltop Electronics (Suzhou) Ltd.**, Taicang (JP)

(**) Term: **14 Years**

(21) Appl. No.: **29/432,417**

(22) Filed: **Sep. 14, 2012**

(30) **Foreign Application Priority Data**

Jun. 29, 2012 (CN) 2012 3 0285277

(51) **LOC (10) Cl.** **13-03**

(52) **U.S. Cl.**
USPC **D13/147**

(58) **Field of Classification Search**
USPC D13/146–147, 154, 184, 199; 439/180, 439/246, 252, 278, 374, 378, 379, 380, 381, 439/527, 529, 530, 533, 607.1, 607.2, 439/607.3, 607.4, 607.45, 607.49, 607.58, 439/660, 668, 680, 892, 899

See application file for complete search history.

(56) **References Cited**

U.S. PATENT DOCUMENTS

D372,024 S *	7/1996	Carlson et al.	D14/432
D385,254 S *	10/1997	Owusu	D13/133
D408,357 S *	4/1999	Kichise	D13/146
D410,433 S *	6/1999	Goto	D13/147
D415,143 S *	10/1999	Roberts	D13/146
D415,144 S *	10/1999	Roberts	D13/147
D573,095 S *	7/2008	Poupore et al.	D13/133
D610,087 S *	2/2010	Johnson	D13/110
D621,507 S *	8/2010	Romero	D24/144
D702,183 S *	4/2014	Benedict et al.	D13/110

* cited by examiner

Primary Examiner — Daniel Bui

(74) *Attorney, Agent, or Firm* — Sughrue Mion, PLLC

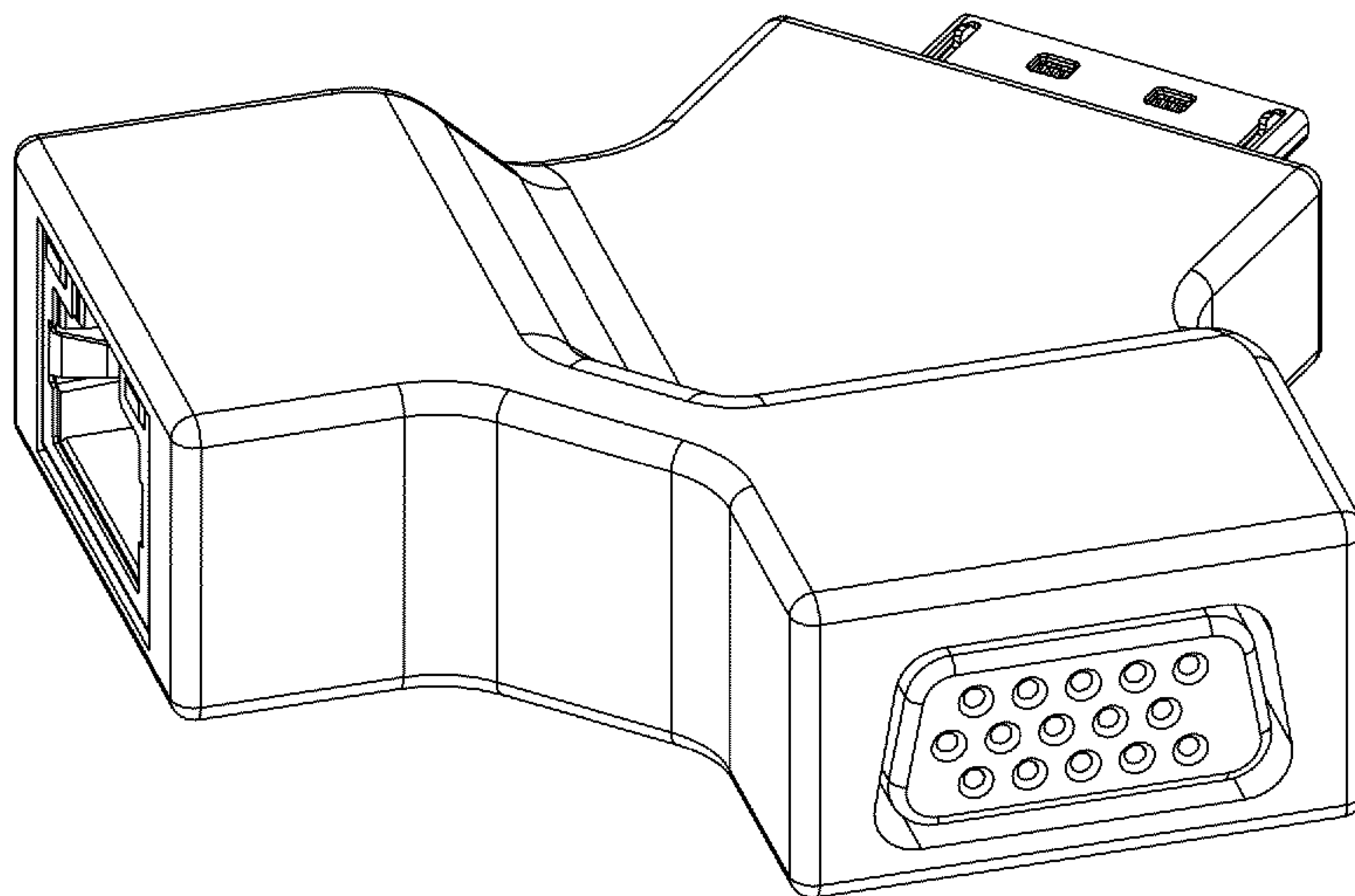
(57) **CLAIM**

The ornamental design for a multi-direction adapter, as shown and described.

DESCRIPTION

FIG. 1 is a perspective view of a multi-direction adapter showing our design;
FIG. 2 is a front view thereof;
FIG. 3 is rear view thereof;
FIG. 4 is a left side view thereof;
FIG. 5 is a right side view thereof;
FIG. 6 is a top plan view thereof; and,
FIG. 7 is a bottom plan view thereof.
The broken lines in the drawings are included for the purpose of illustrating environment and form no part of the claimed design.

1 Claim, 7 Drawing Sheets



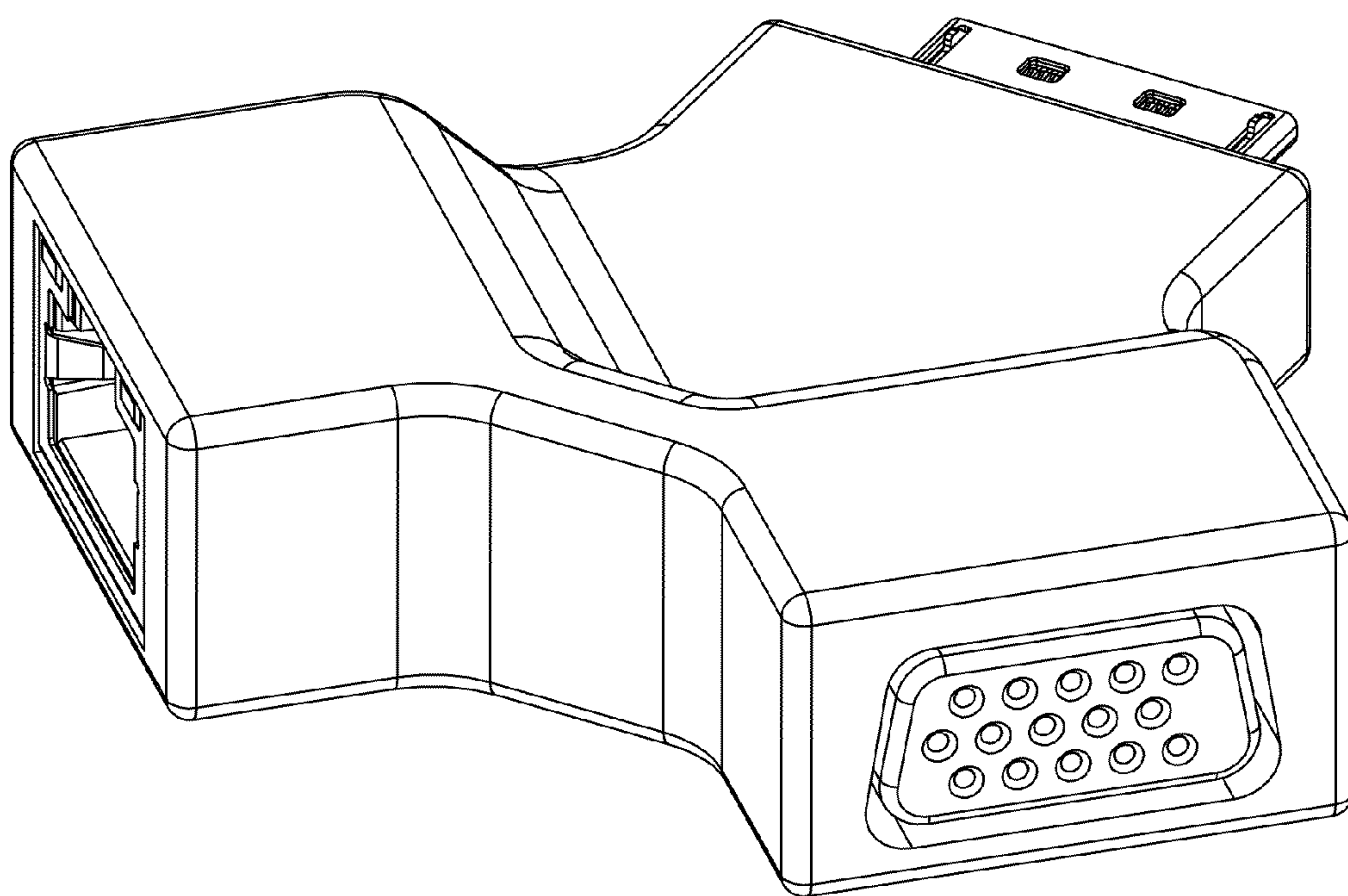


Fig.1

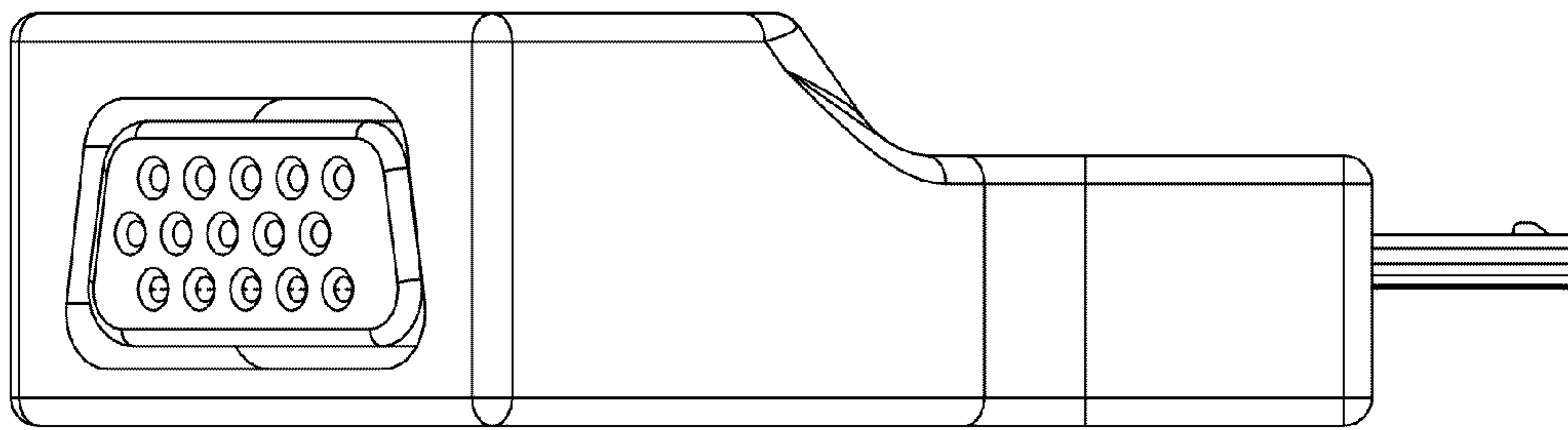


Fig.2

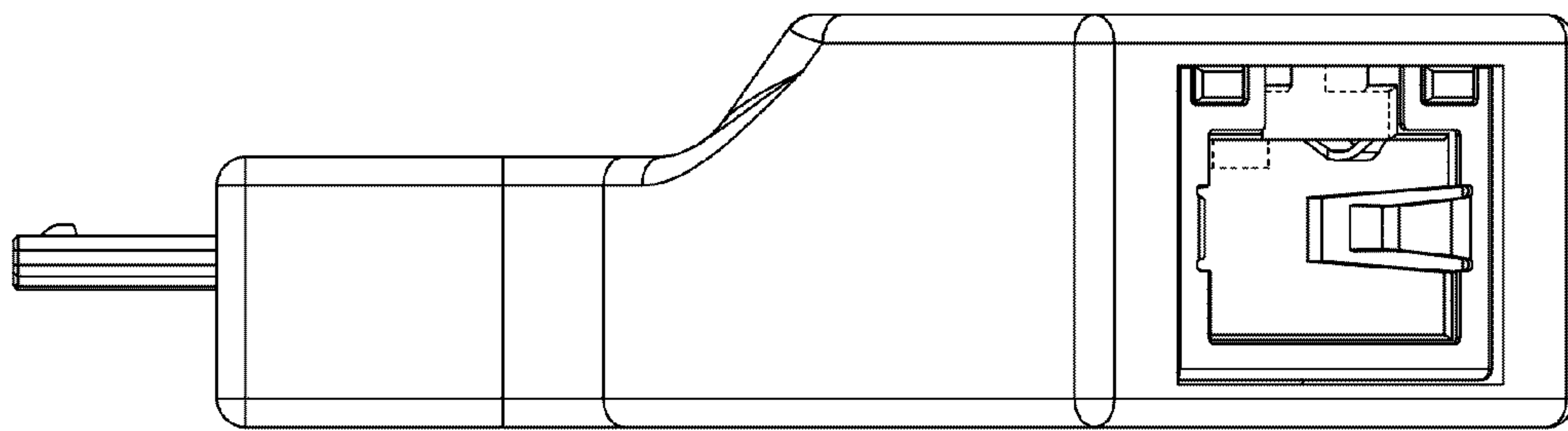


Fig.3

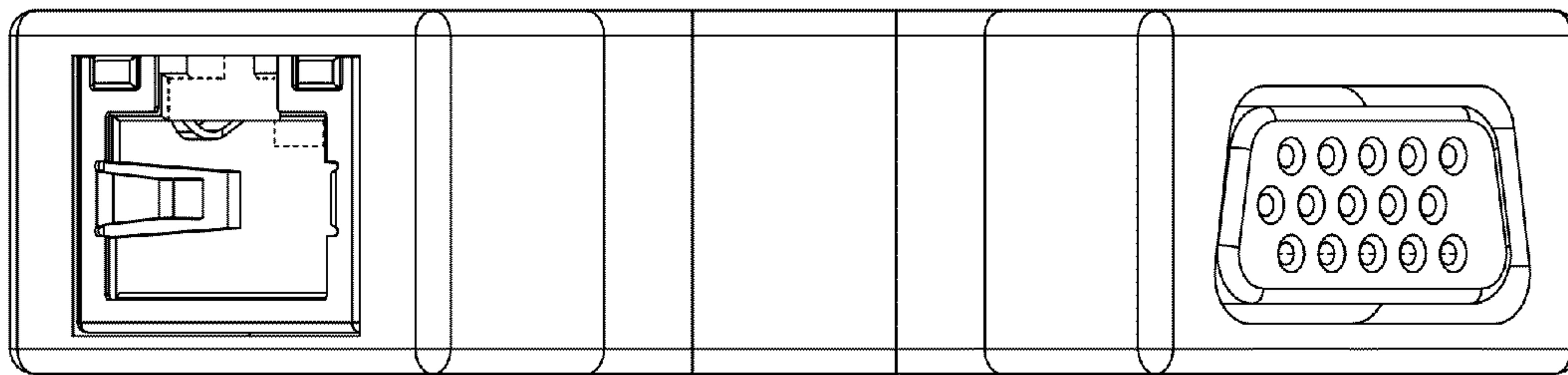


Fig.4

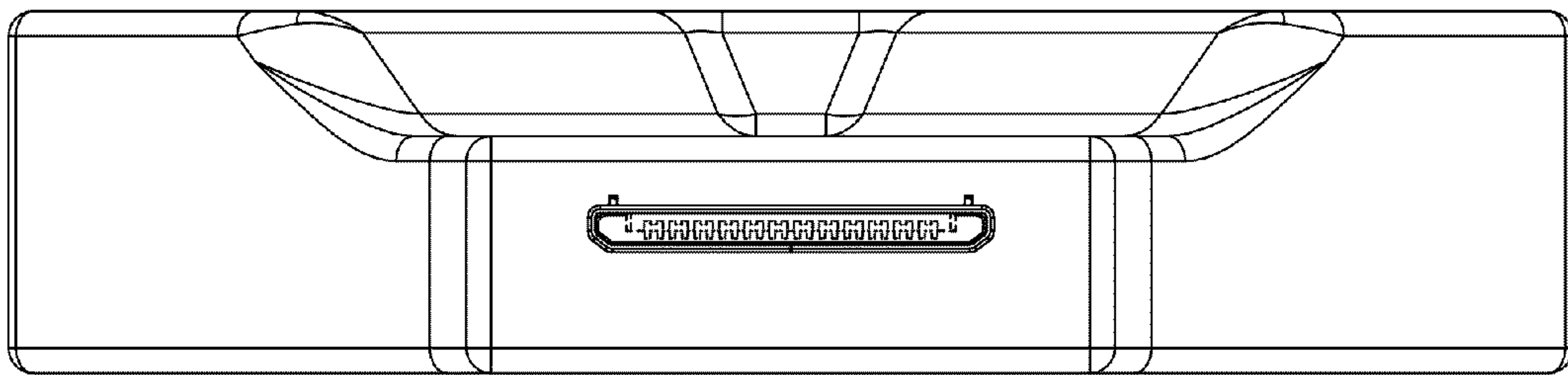


Fig.5

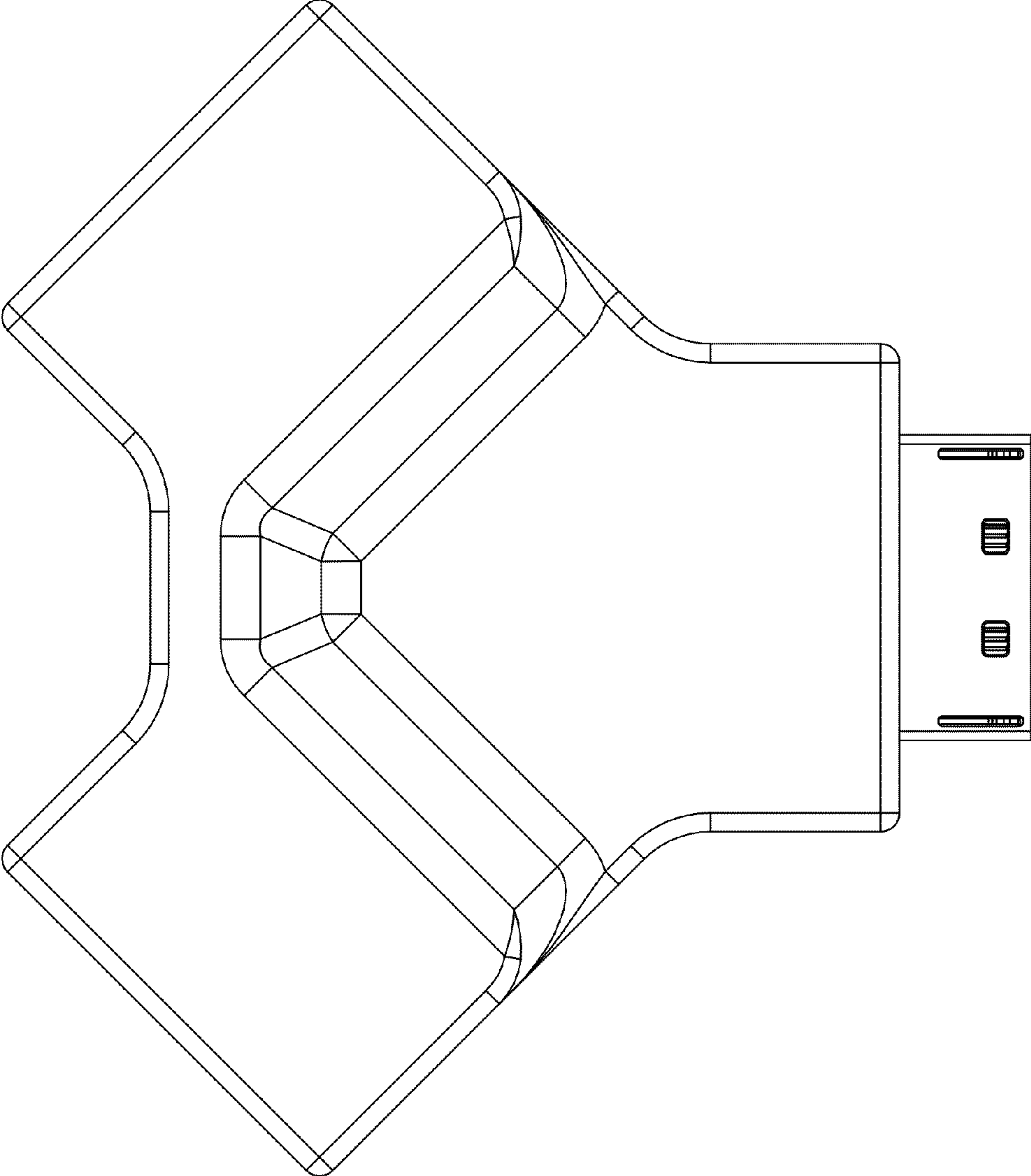


Fig.6

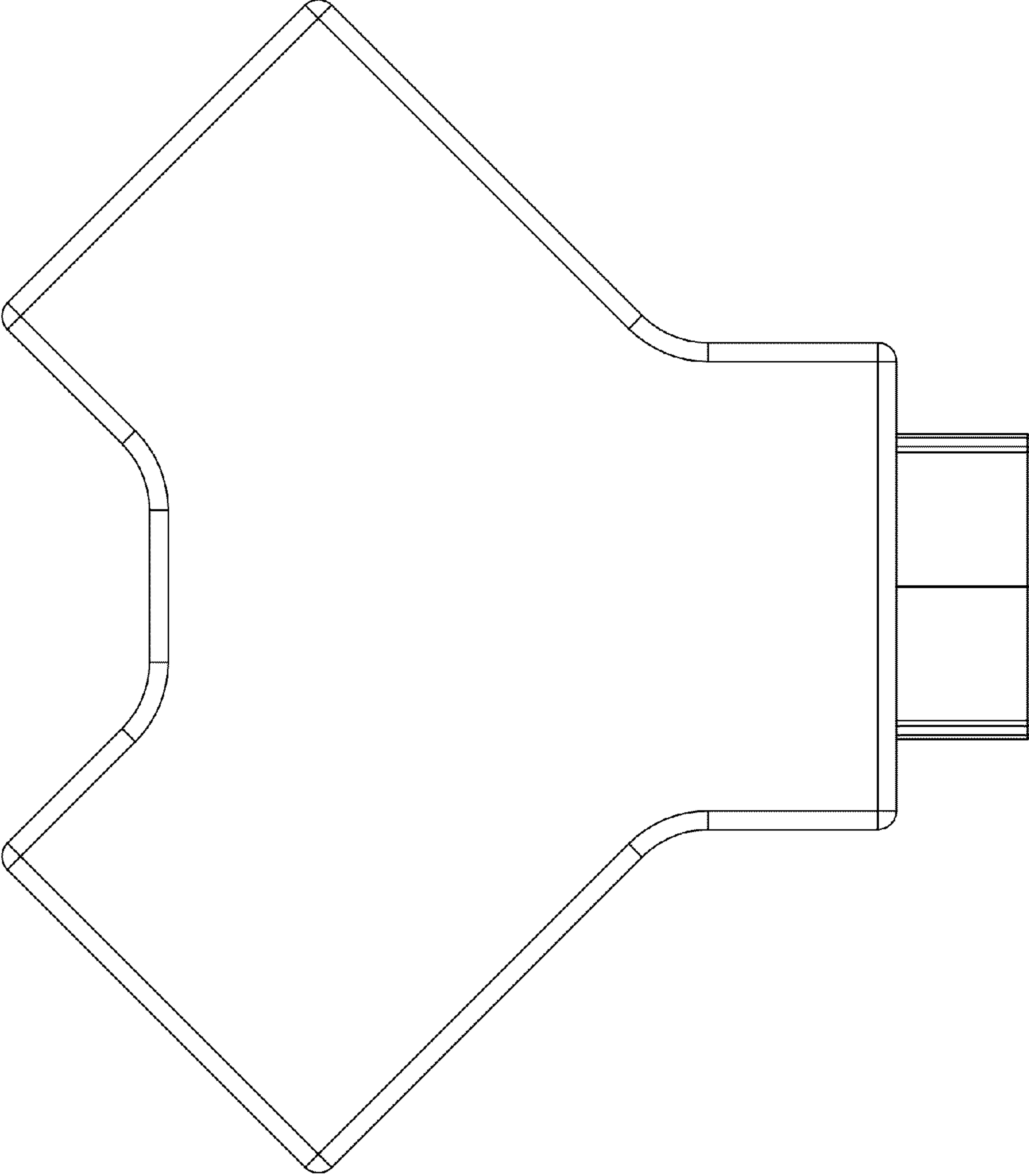


Fig. 7