



US00D719917S

(12) **United States Design Patent**  
**Liu et al.**

(10) **Patent No.:** **US D719,917 S**  
(45) **Date of Patent:** **\*\* Dec. 23, 2014**

(54) **AUDIO JACK**

(75) Inventors: **Wei-Ping Liu**, Shenzhen (CN);  
**Xiao-Hui Wang**, Shenzhen (CN); **Qiang Ning**, Shenzhen (CN)

(73) Assignee: **Hon Hai Precision Industry Co., Ltd.**,  
New Taipei (TW)

(\*\*) Term: **14 Years**

(21) Appl. No.: **29/430,891**

(22) Filed: **Aug. 30, 2012**

(30) **Foreign Application Priority Data**

Mar. 1, 2012 (CN) ..... 2012 3 0044263

(51) **LOC (10) Cl.** ..... **13-03**

(52) **U.S. Cl.**  
USPC ..... **D13/147**

(58) **Field of Classification Search**  
USPC ..... D13/146-147, 154, 184, 199; 439/188,  
439/278, 374, 378, 380, 527, 533, 540.1,  
439/541.5, 607.1, 607.2, 607.3, 607.4,  
439/607.45, 607.49, 607.58, 660, 668, 680,  
439/892, 899

See application file for complete search history.

(56) **References Cited**

U.S. PATENT DOCUMENTS

D555,098	S	*	11/2007	Wu et al.	.....	D13/133
D556,137	S	*	11/2007	Lin et al.	.....	D13/133
D558,674	S	*	1/2008	Lin et al.	.....	D13/133
D558,678	S	*	1/2008	Han et al.	.....	D13/154
D576,551	S	*	9/2008	Chien et al.	.....	D13/133
D577,677	S	*	9/2008	Li et al.	.....	D13/133
D578,487	S	*	10/2008	Han et al.	.....	D13/154
D663,694	S	*	7/2012	Fu et al.	.....	D13/147

\* cited by examiner

*Primary Examiner* — Daniel Bui

(74) *Attorney, Agent, or Firm* — Ming Chieh Chang; Wei Te Chung

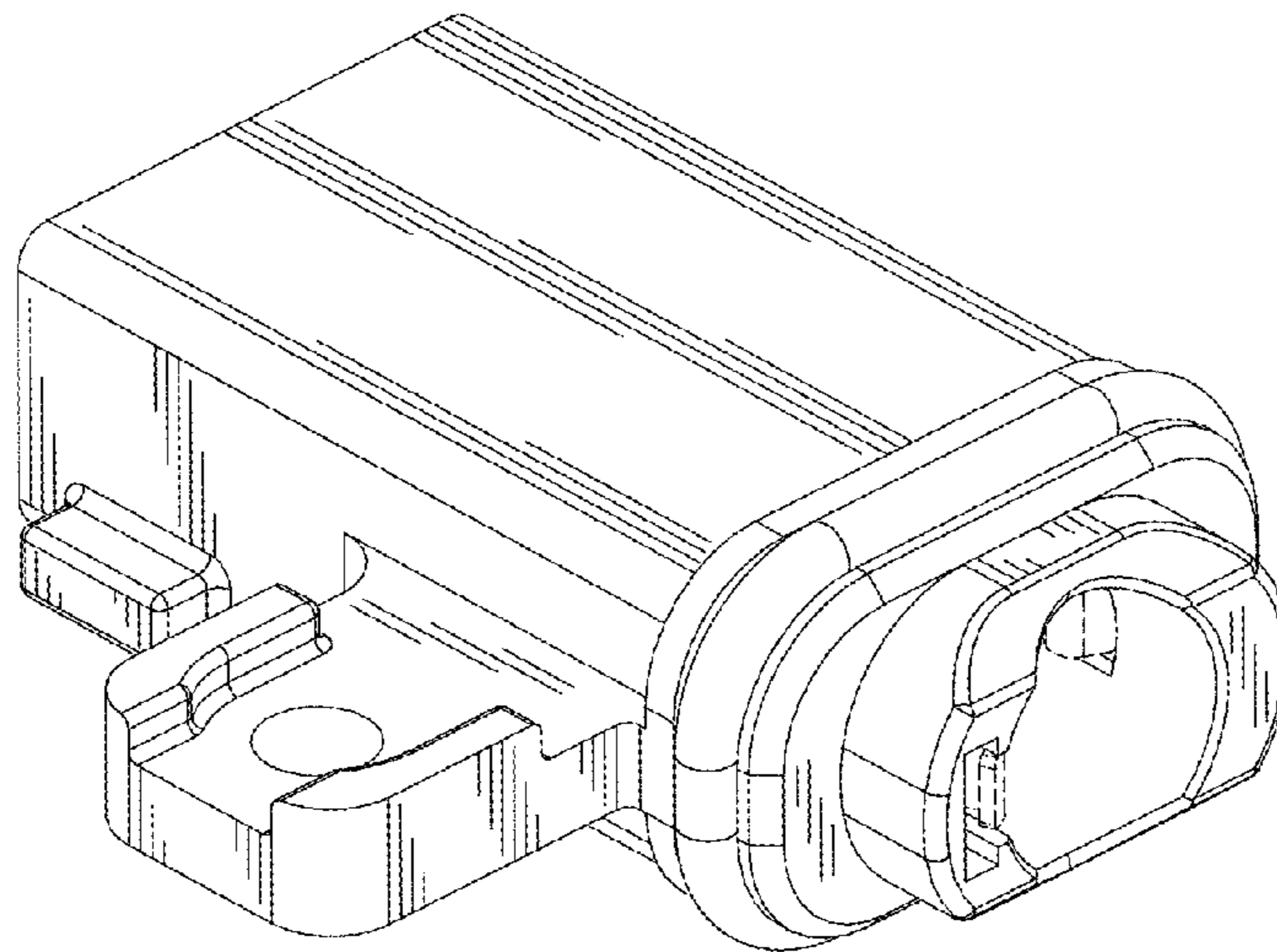
(57) **CLAIM**

The ornamental design for an audio jack, as shown and described.

**DESCRIPTION**

FIG. 1 is a front, top and left side perspective view of an audio jack showing our new design;  
FIG. 2 is a front elevational view thereof;  
FIG. 3 is a rear elevational view thereof;  
FIG. 4 is a left side elevational view thereof;  
FIG. 5 is a right side elevational view thereof;  
FIG. 6 is a top plan view thereof; and,  
FIG. 7 is a bottom plan view thereof.  
The broken lines shown in the drawing figures are included for the purpose of illustrating unclaimed subject matter only and form no part of the claimed design.

**1 Claim, 7 Drawing Sheets**



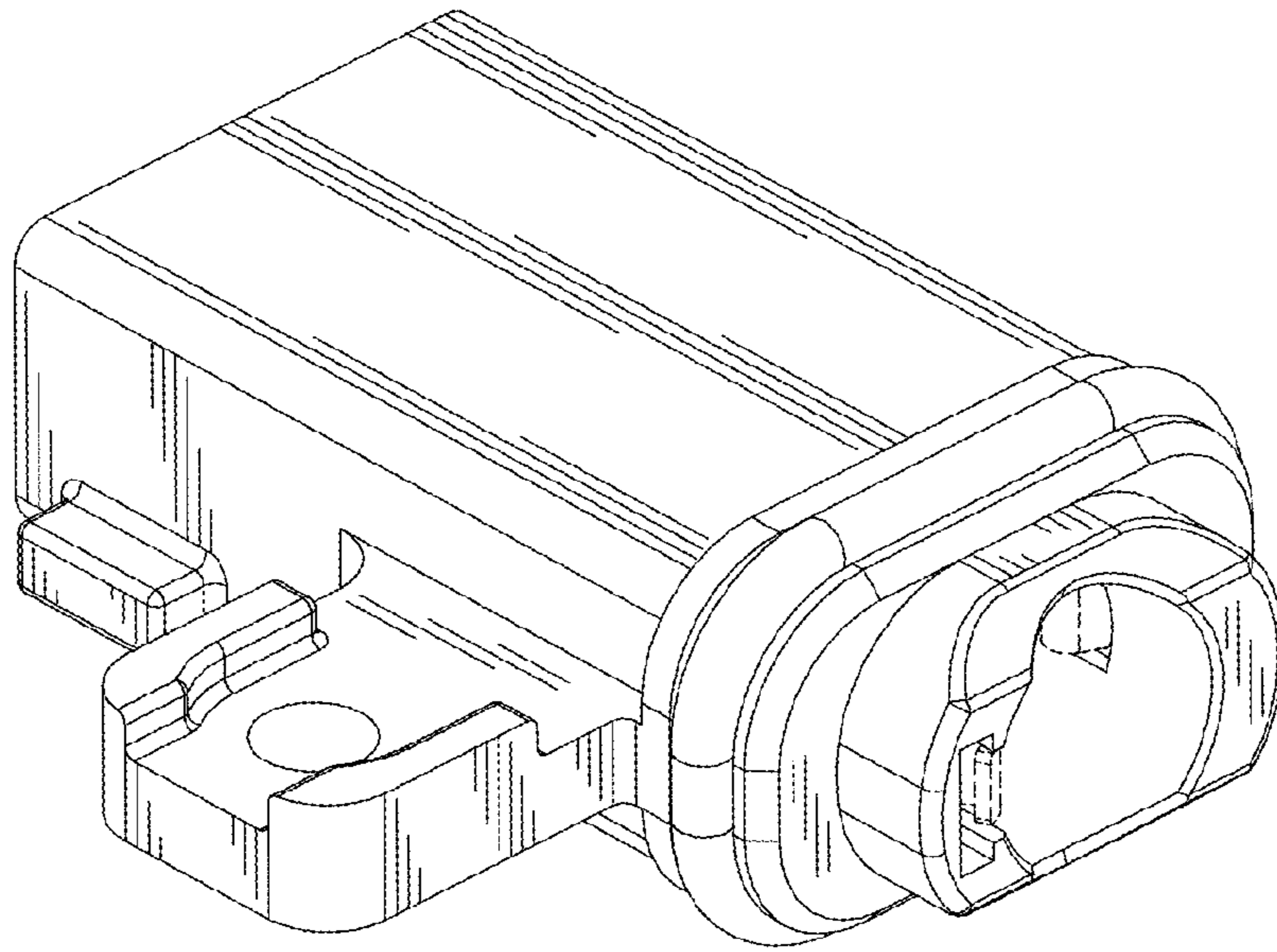


FIG. 1

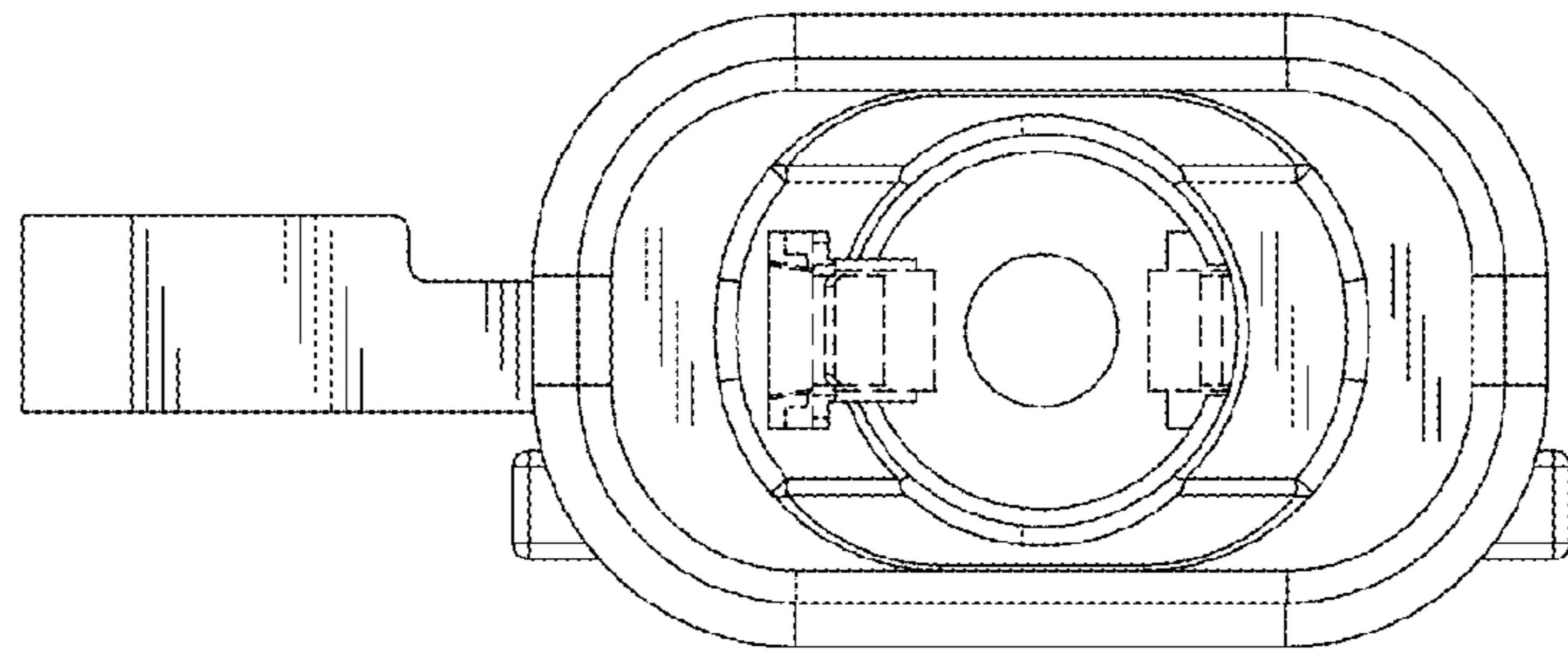


FIG. 2

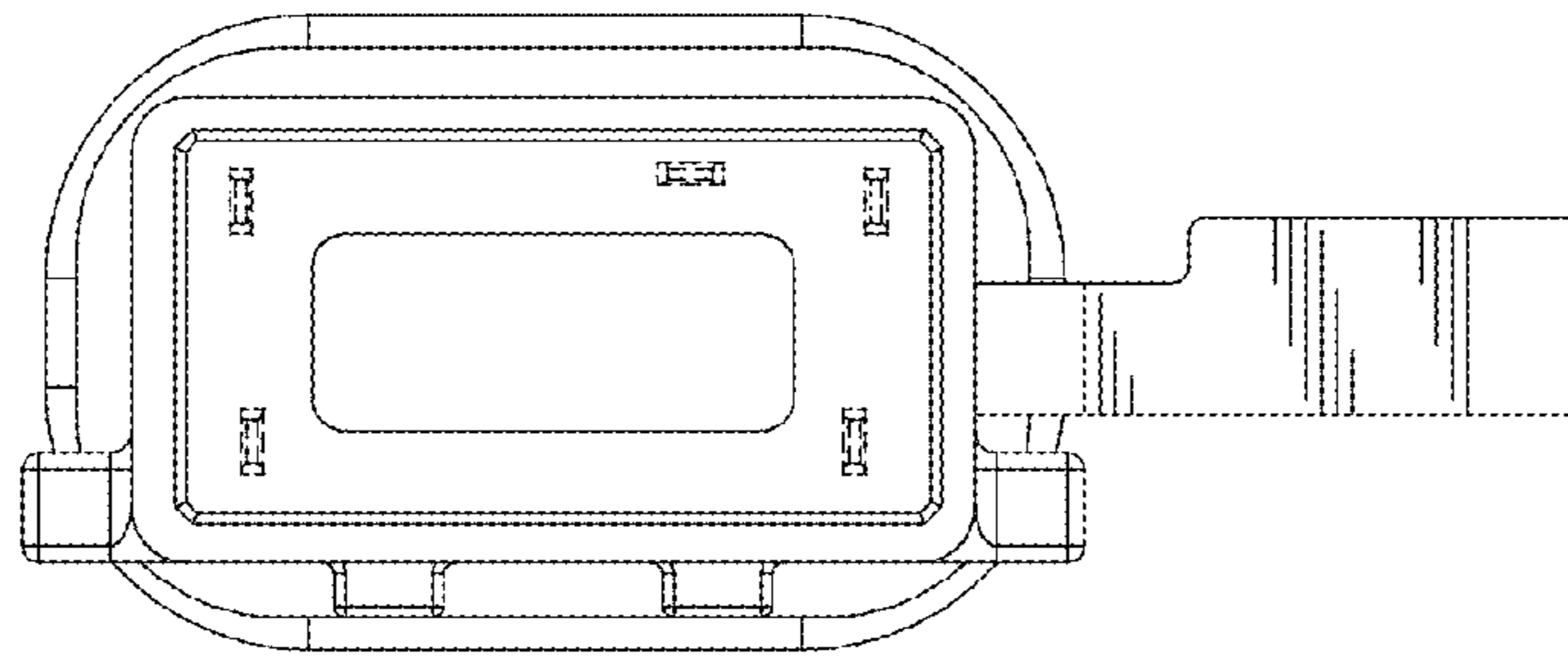


FIG. 3

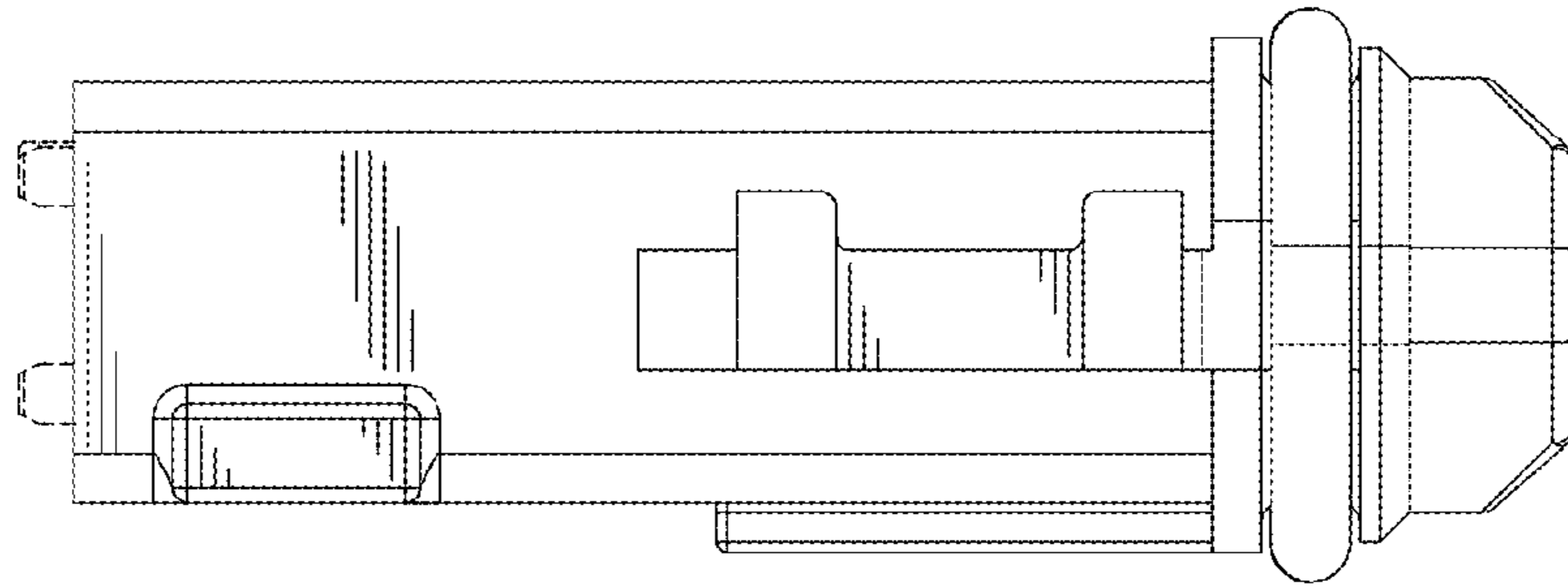


FIG. 4

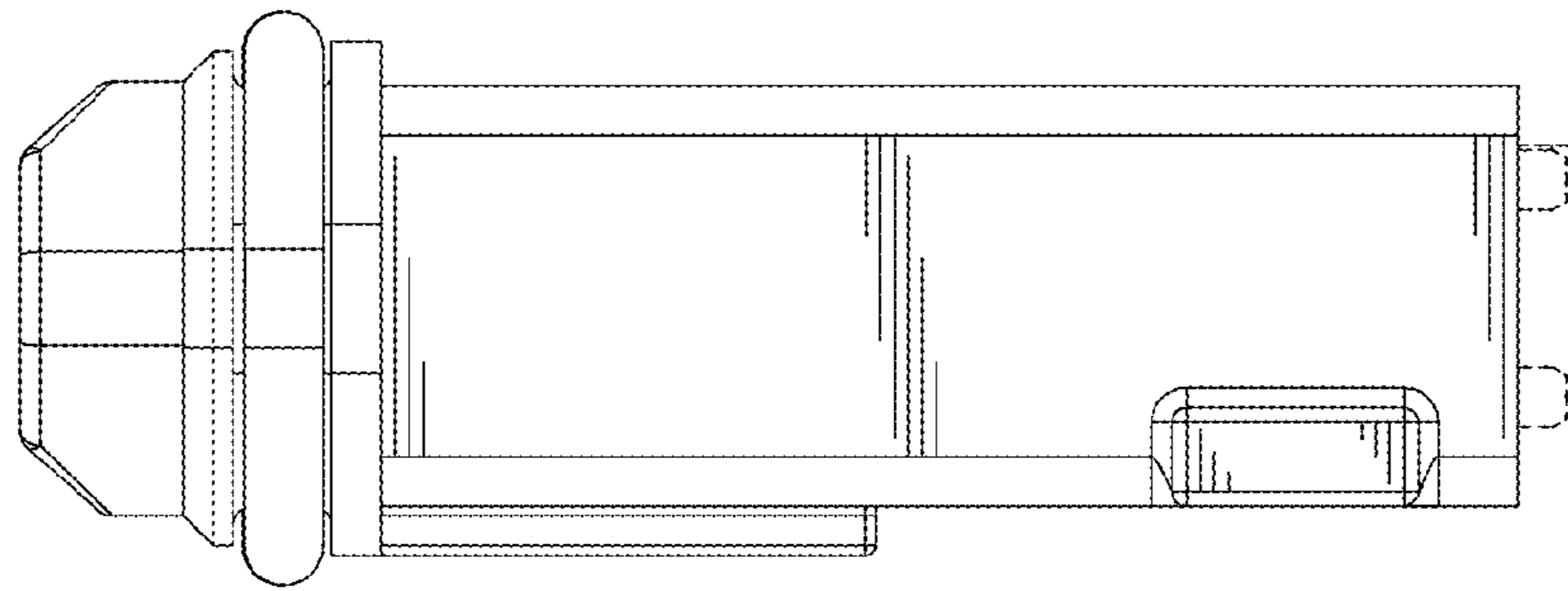


FIG. 5

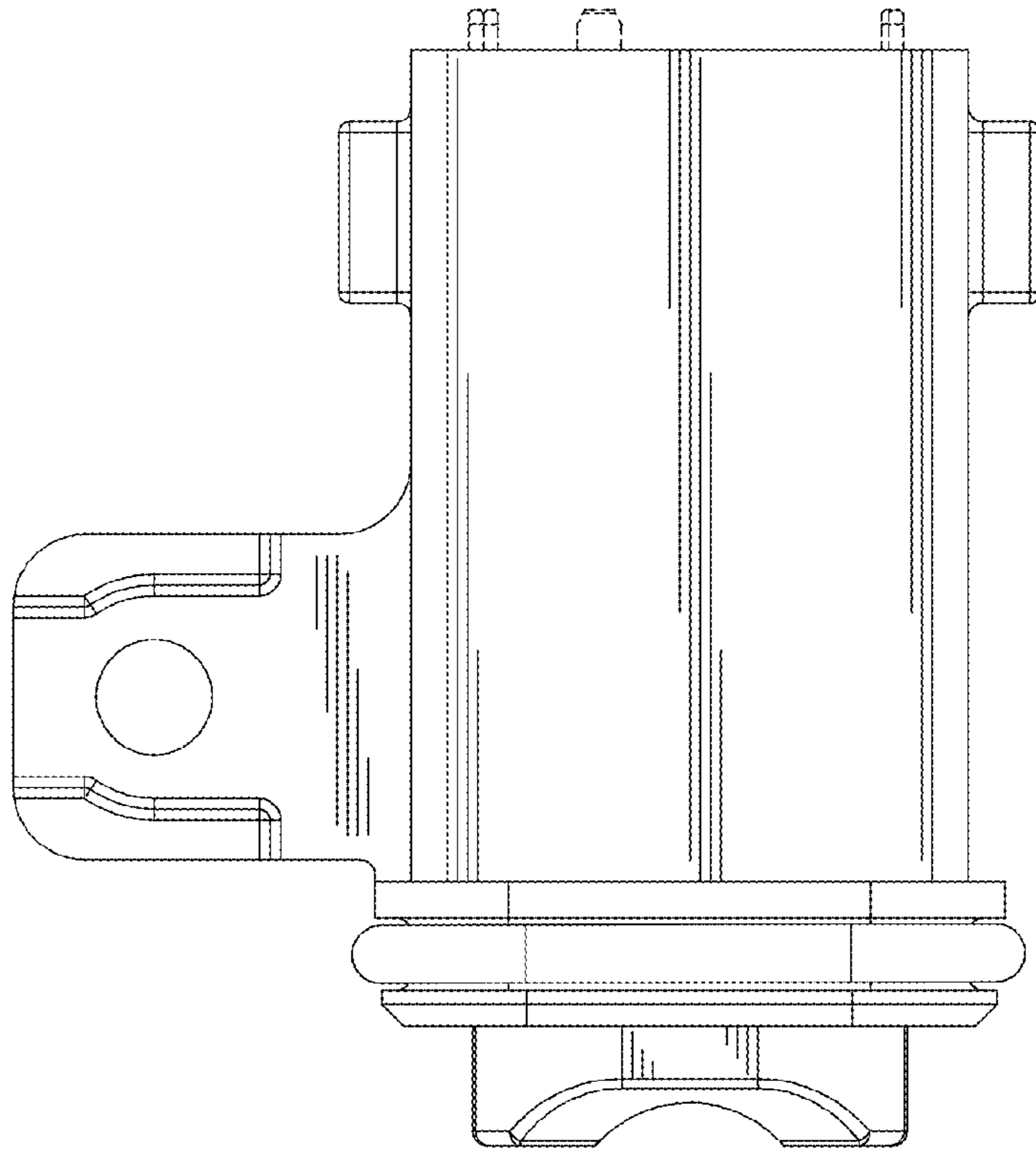


FIG. 6

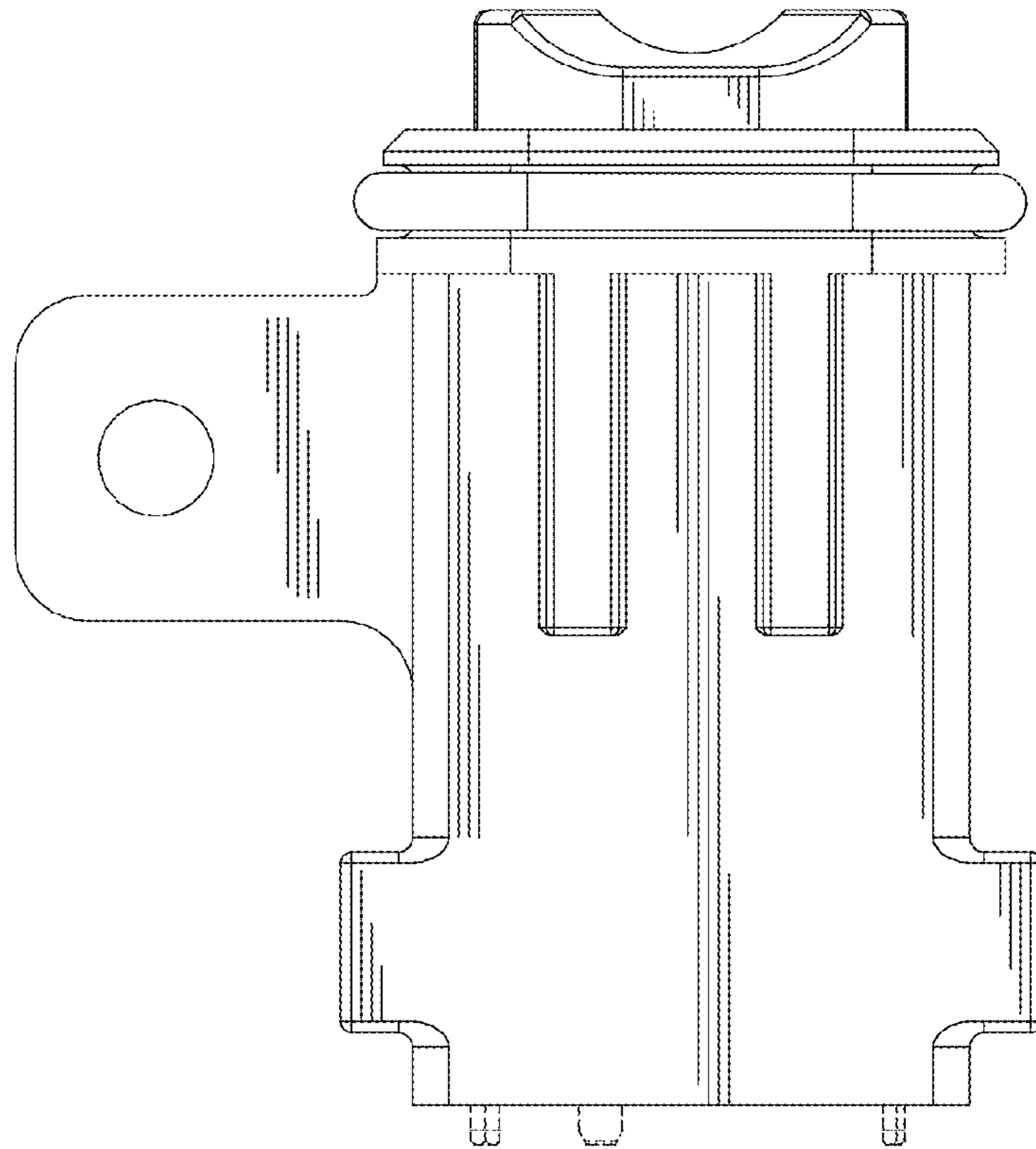


FIG. 7