



US00D719916S

(12) **United States Design Patent**
Cheng

(10) **Patent No.:** **US D719,916 S**
(45) **Date of Patent:** **** Dec. 23, 2014**

(54) **ACTIVE CIGARETTE LIGHTER ADAPTER
PLUG**

(71) Applicant: **Sky Tech Worldwide, Inc.**, Chino, CA
(US)

(72) Inventor: **Chin-Hung Cheng**, Chino, CA (US)

(73) Assignee: **Sky Tech Worldwide, Inc.**, Chino, CA
(US)

(**) Term: **14 Years**

(21) Appl. No.: **29/455,368**

(22) Filed: **May 20, 2013**

(51) **LOC (10) Cl.** **13-03**

(52) **U.S. Cl.**
USPC **D13/144**

(58) **Field of Classification Search**
USPC D13/144, 101, 107, 108, 110, 118, 119,
D13/133, 184, 199; D14/155, 432, 434,
D14/435.1, 356, 480.1, 480.7; 320/107,
320/108, 109, 110, 111, 112, 113, 114,
320/115; 439/300, 620.01, 638, 668, 669,
439/675, 825; 363/146

See application file for complete search history.

(56) **References Cited**

U.S. PATENT DOCUMENTS

| | | | | | |
|-----------|------|--------|--------------|-------|---------|
| 6,612,875 | B1 * | 9/2003 | Liao | | 439/675 |
| D585,375 | S * | 1/2009 | Andre et al. | | D13/133 |
| D620,441 | S * | 7/2010 | Hou | | D13/144 |
| D653,619 | S * | 2/2012 | Tien | | D13/144 |
| D655,246 | S * | 3/2012 | Fitch et al. | | D13/144 |
| D656,465 | S * | 3/2012 | Au | | D13/144 |

* cited by examiner

Primary Examiner — Derrick Holland

(74) *Attorney, Agent, or Firm* — The Weintraub Group,
P.L.C.

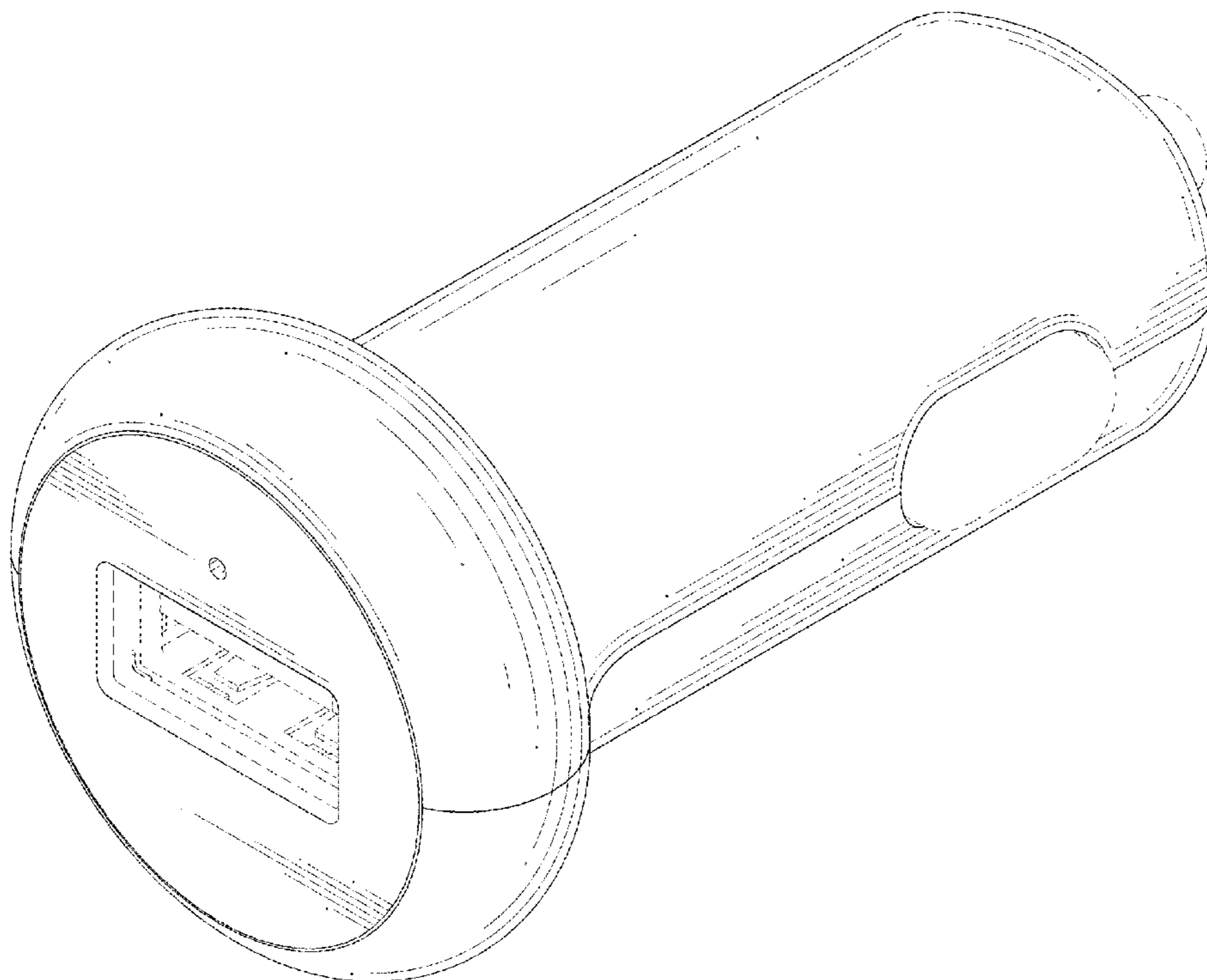
(57) **CLAIM**

The ornamental design for an active cigarette lighter adapter
plug, as shown and described.

DESCRIPTION

FIG. 1 is a perspective view of an active cigarette lighter
adapter plug showing my new design;
FIG. 2 is a front view thereof;
FIG. 3 is a rear view thereof;
FIG. 4 is a left view thereof;
FIG. 5 is a right view thereof;
FIG. 6 is a top view thereof;
FIG. 7 is a bottom view thereof; and,
FIG. 8 is another perspective view thereof.
The broken lines shown represent unclaimed subject matter
and form no part of the claimed design.

1 Claim, 5 Drawing Sheets



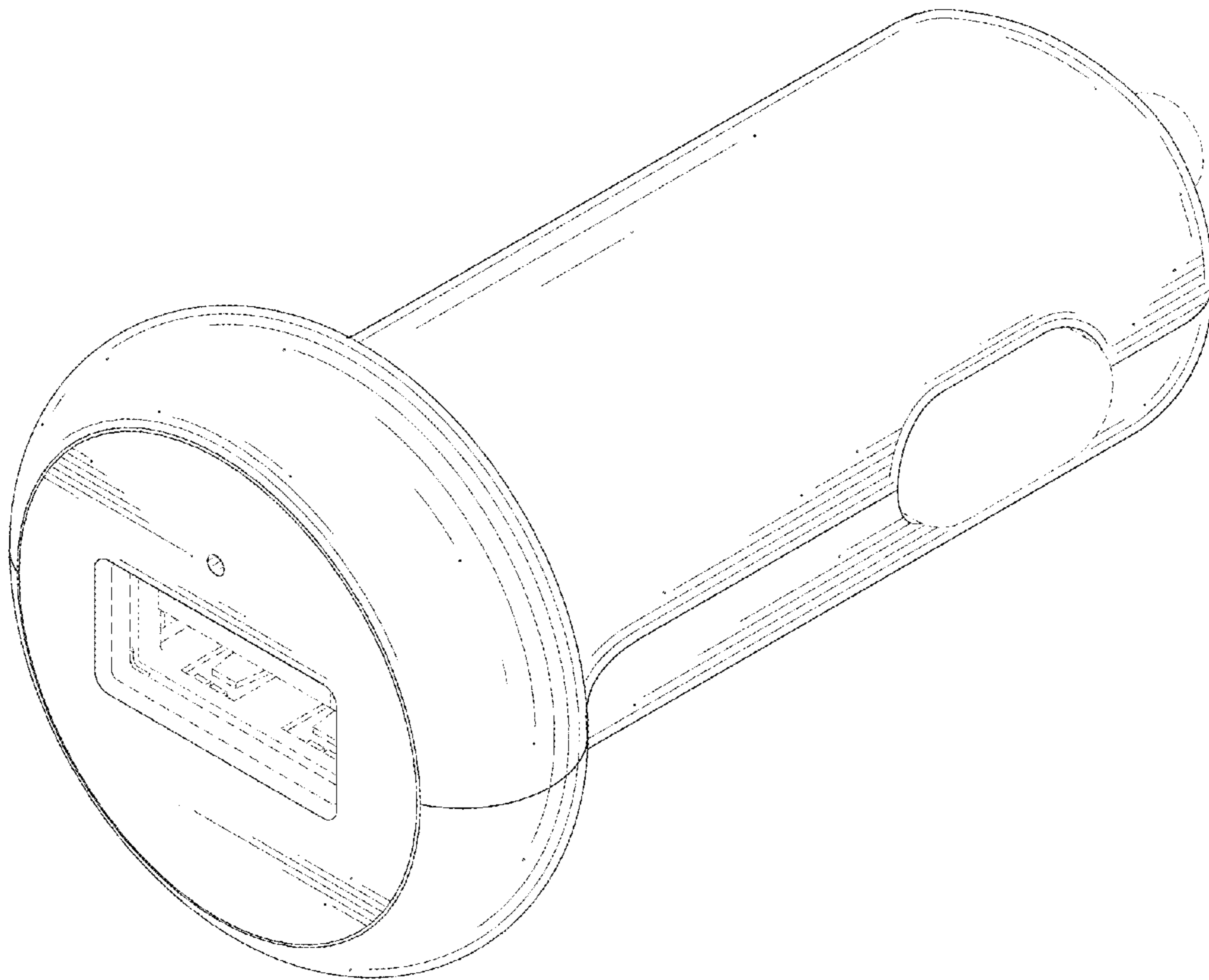


FIG. 1

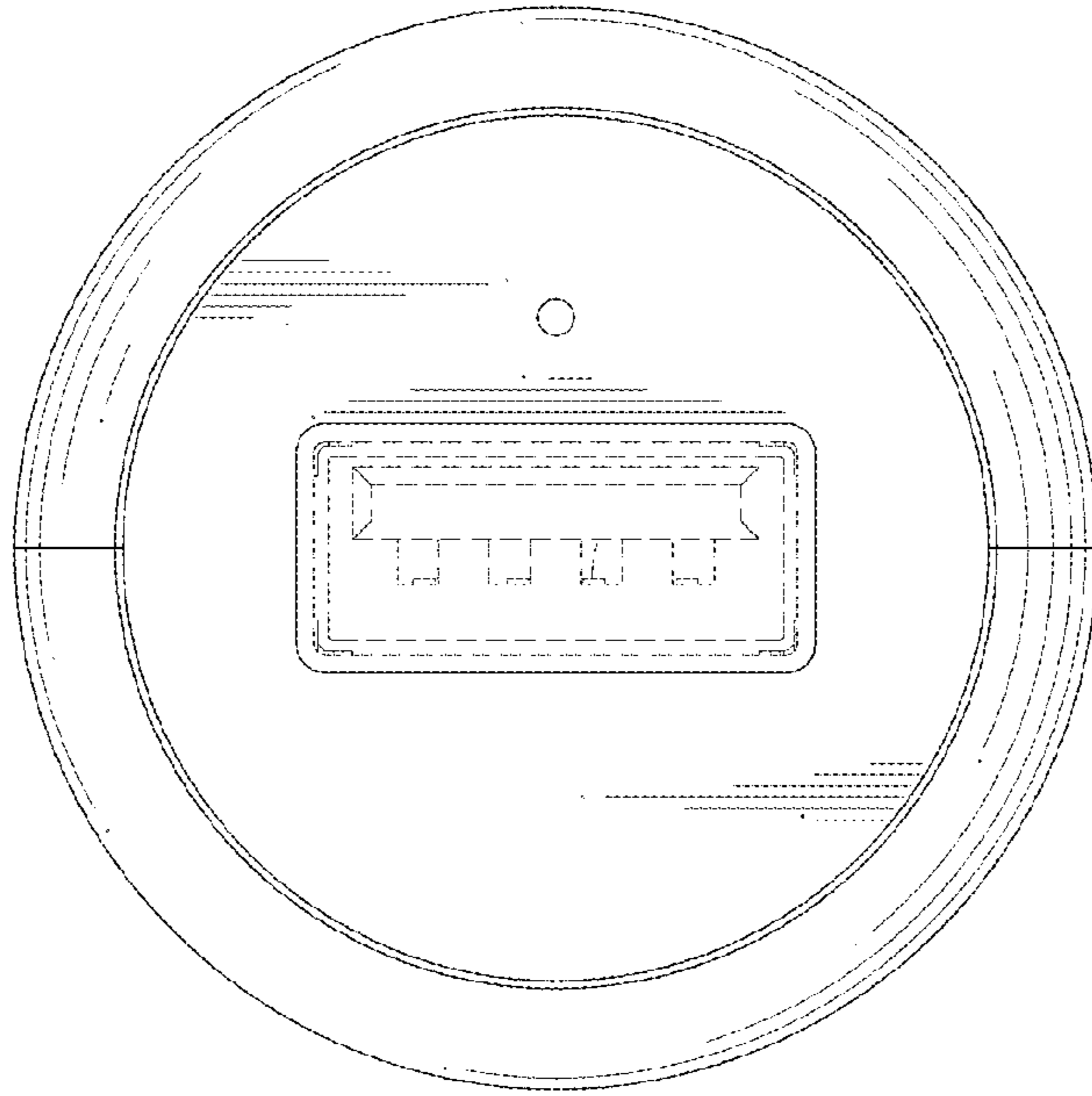


FIG. 2

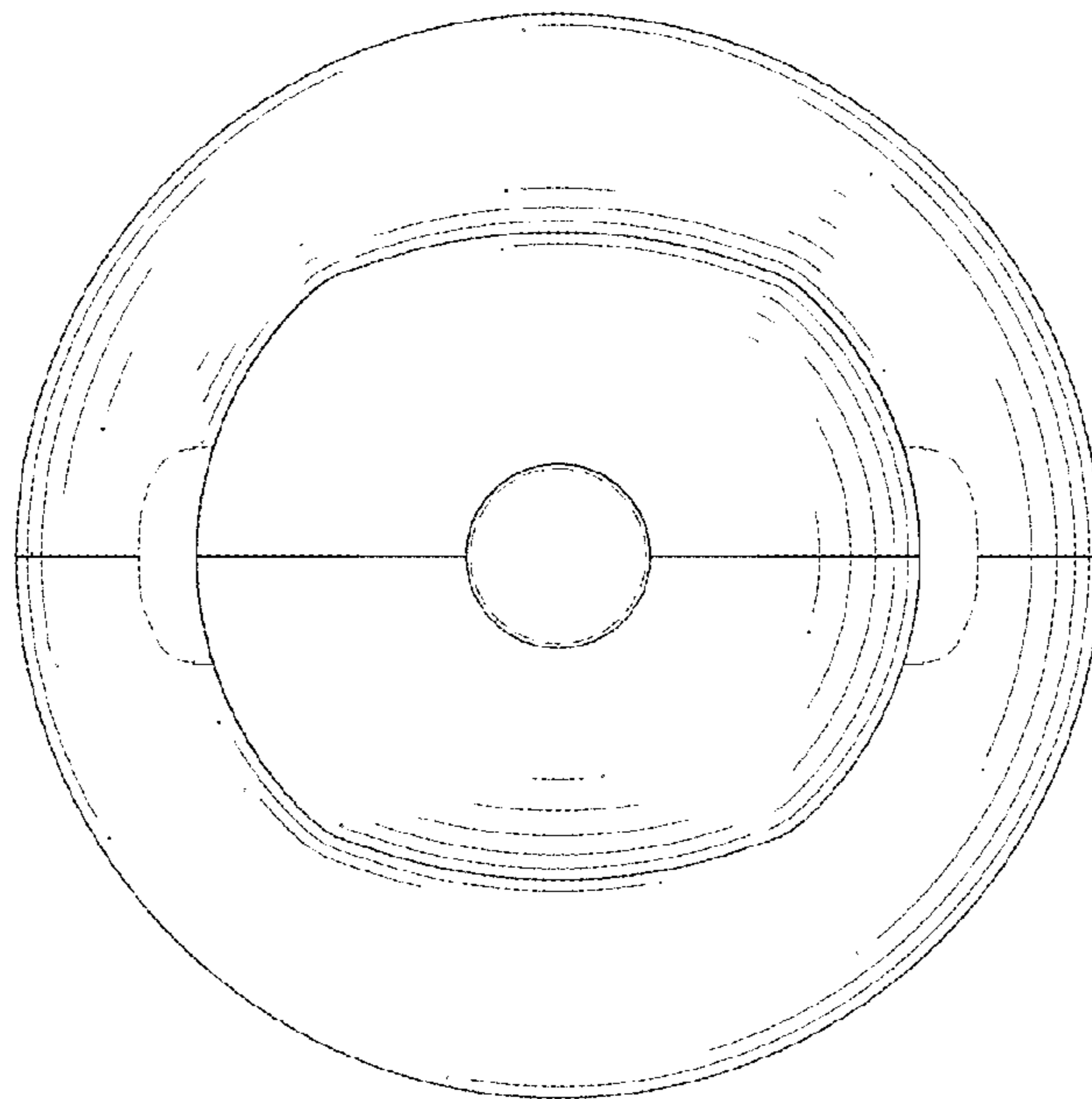


FIG. 3

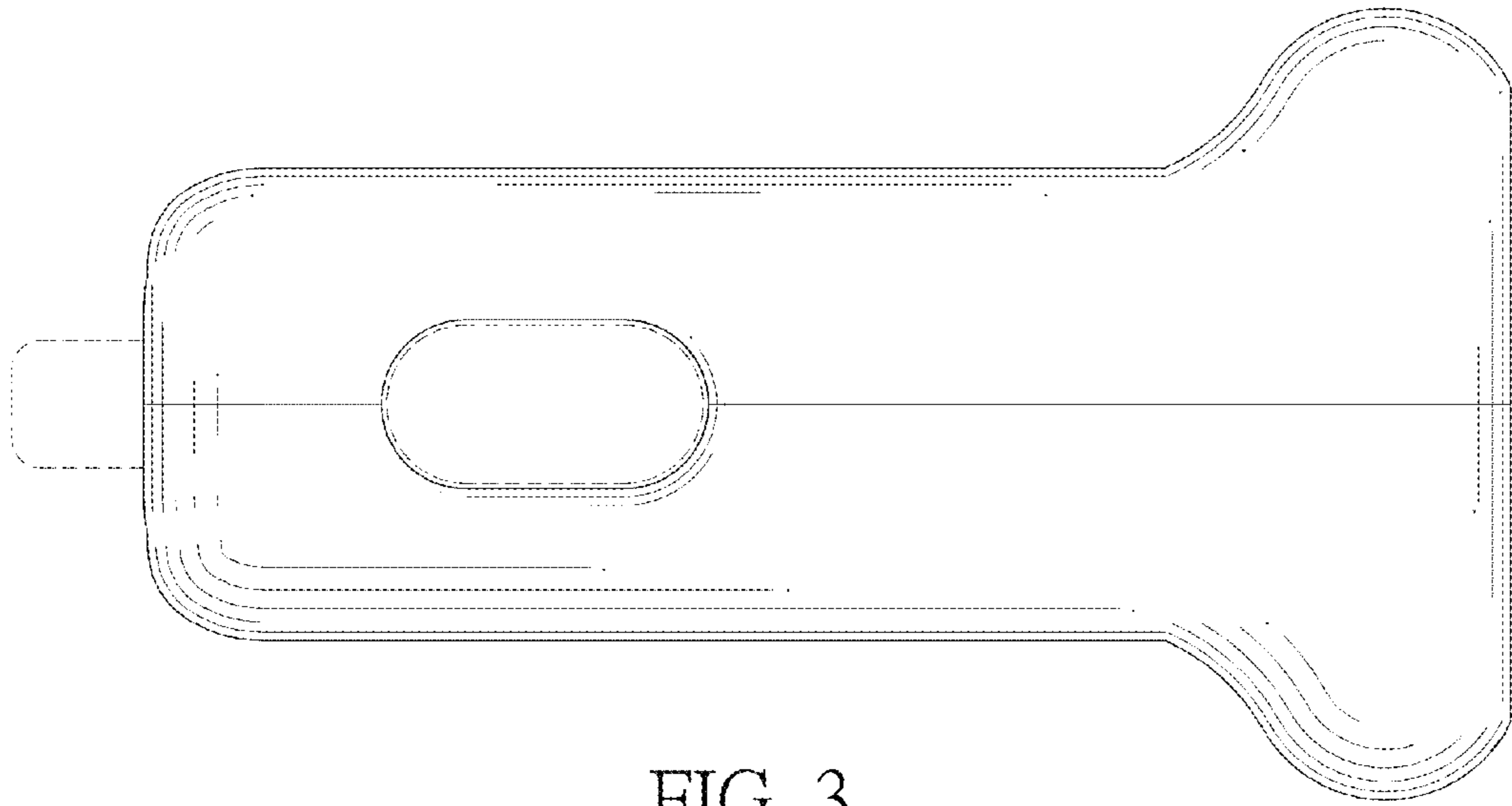


FIG. 3

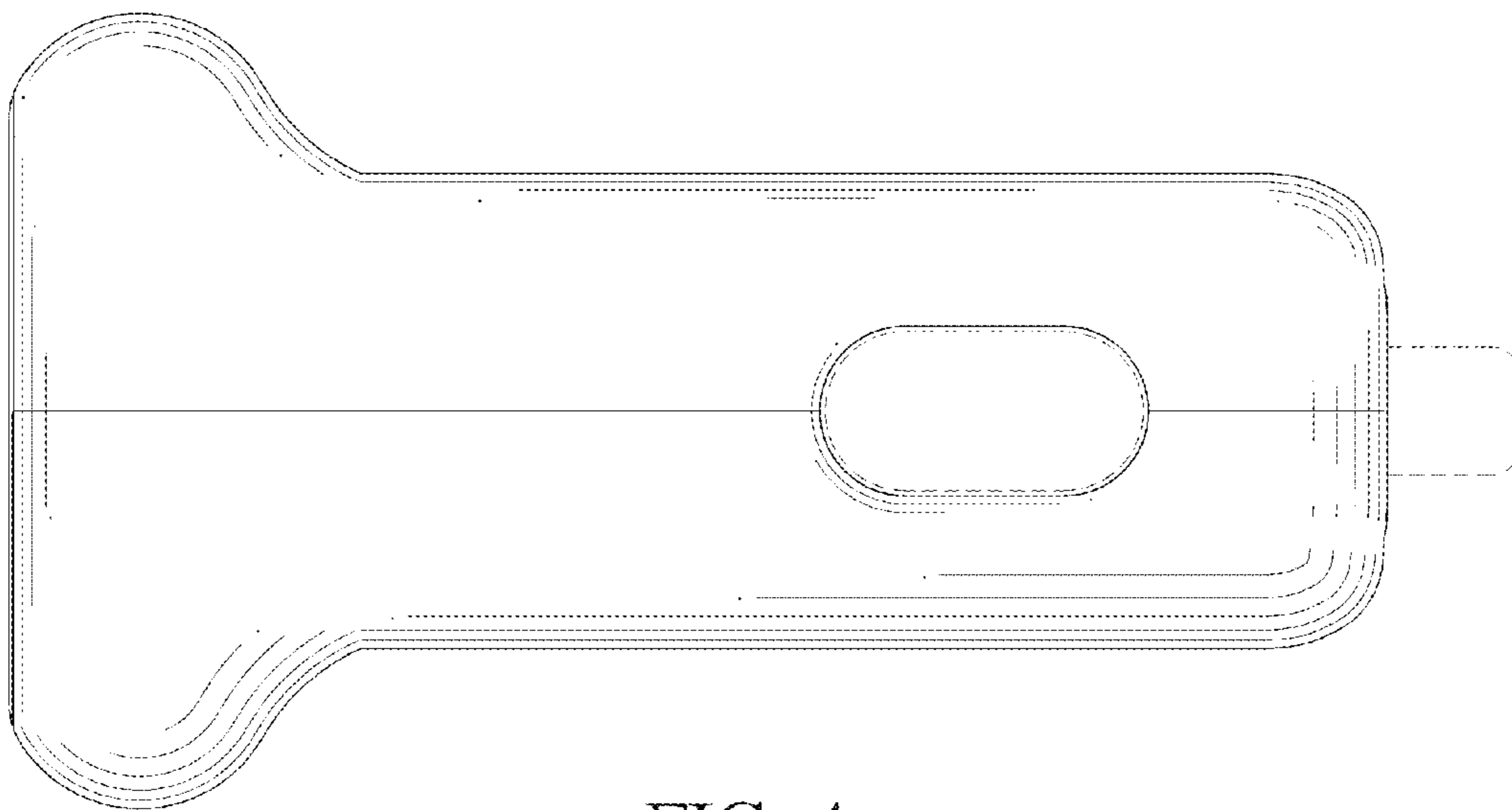


FIG. 4

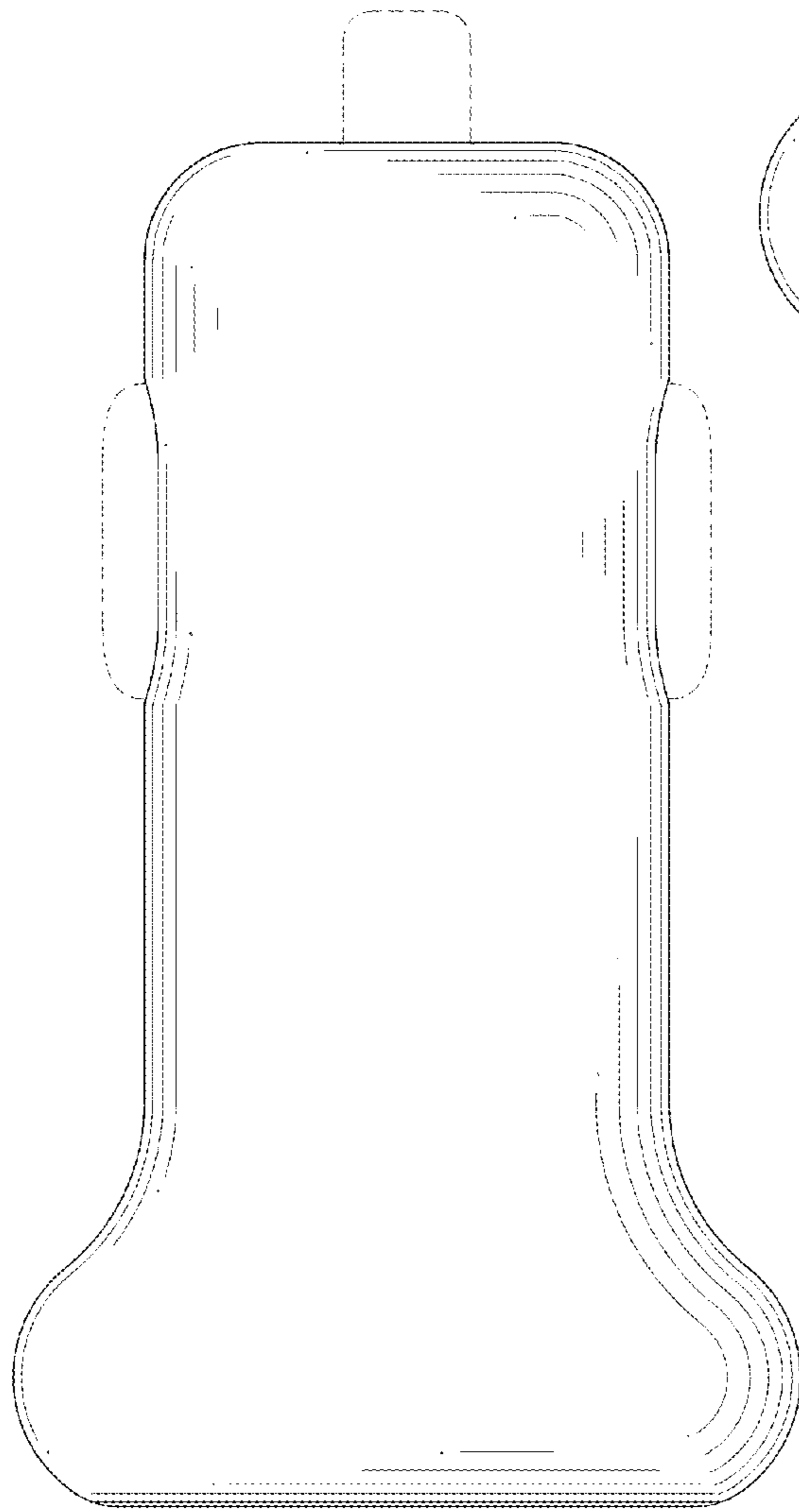


FIG. 6

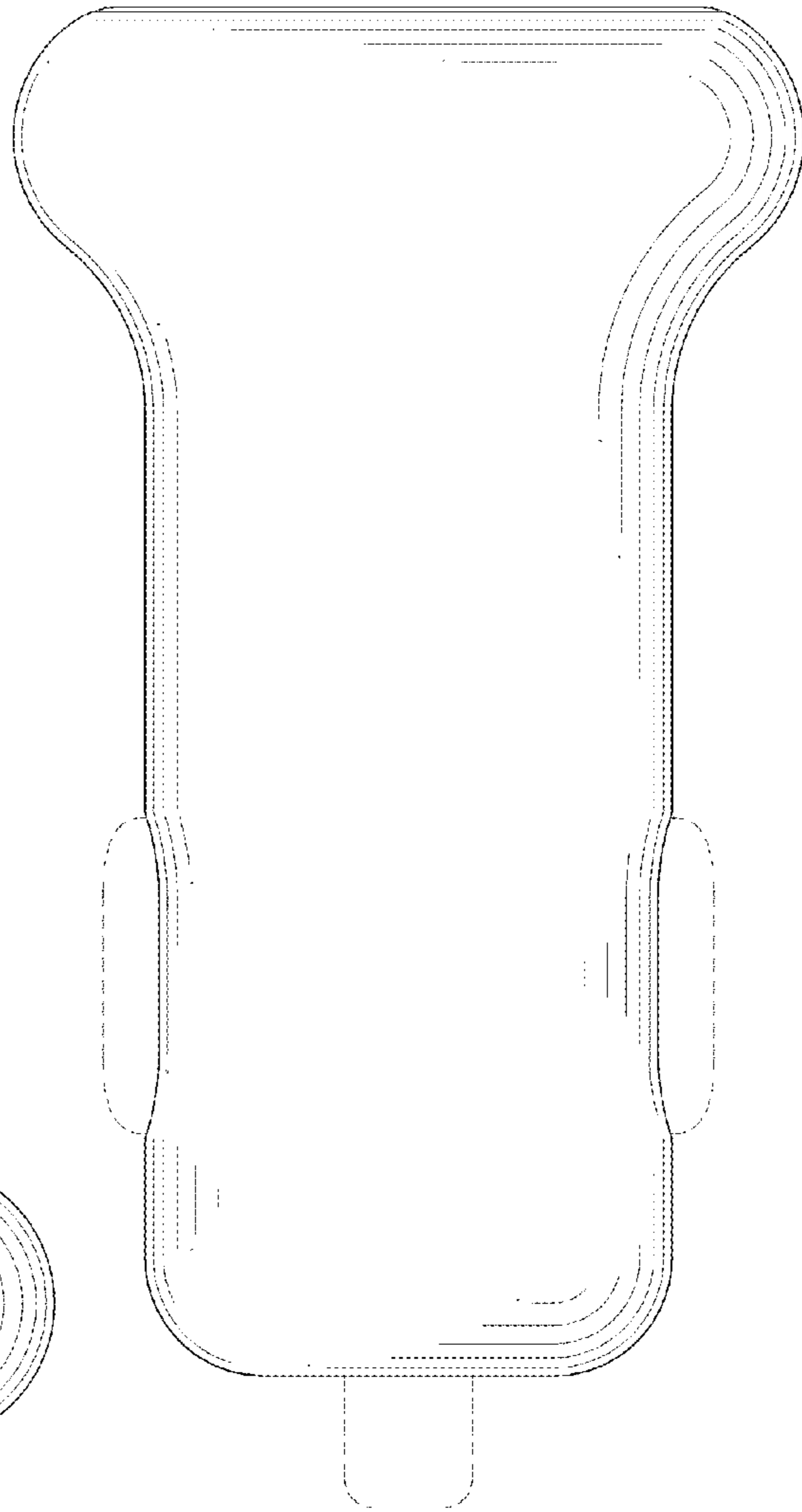


FIG. 7

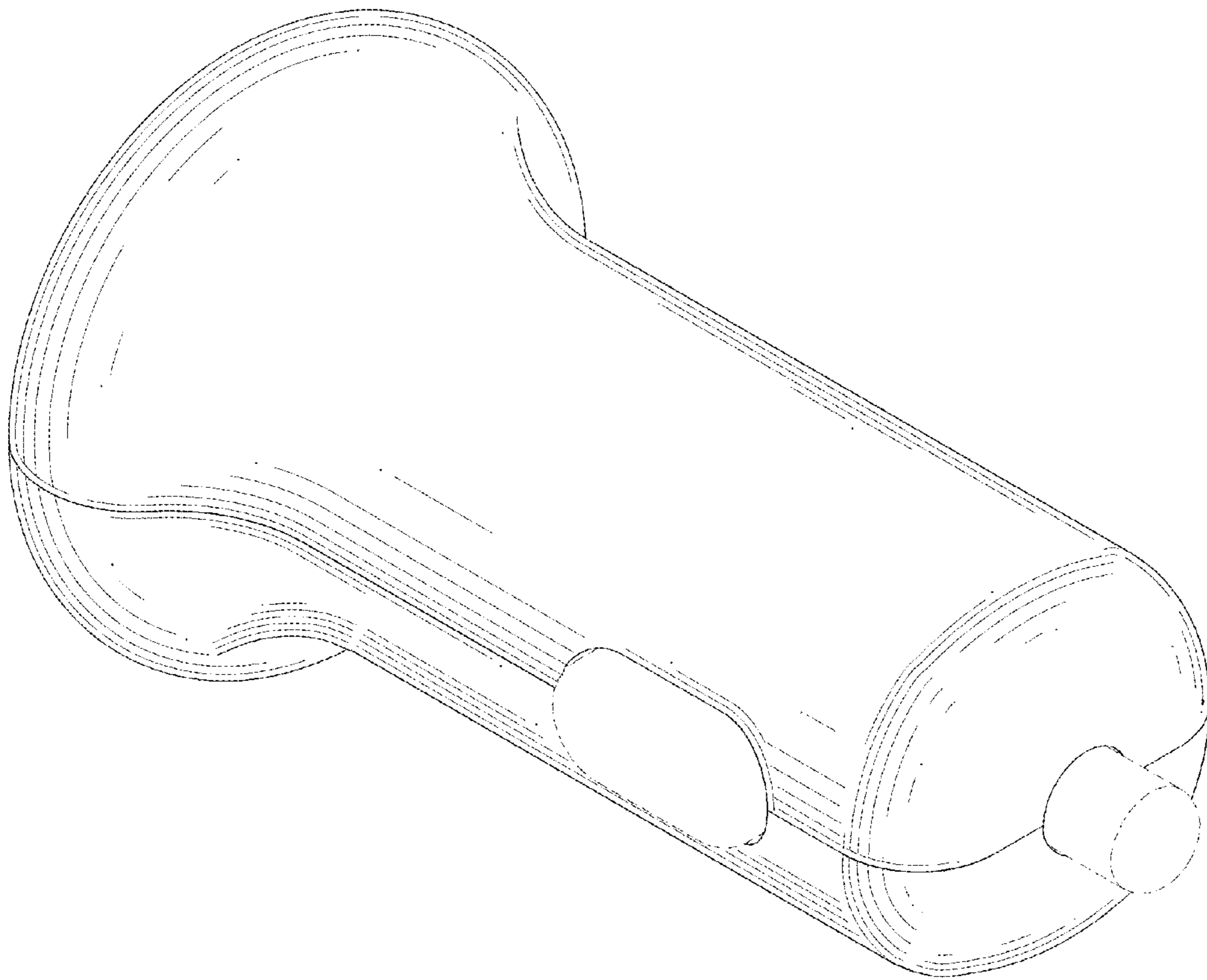


FIG. 8