



US00D719911S

(12) **United States Design Patent**  
**Lathrop et al.**

(10) **Patent No.:** **US D719,911 S**

(45) **Date of Patent:** **\*\* Dec. 23, 2014**

(54) **BATTERY CHARGER FOR A VACUUM APPLIANCE**

(71) Applicant: **Emerson Electric Co.**, St. Louis, MO (US)

(72) Inventors: **David Lathrop**, St. Louis, MO (US);  
**Douglas K. Ritterling**, Chesterfield, MO (US);  
**Shane Glasgow**, Saint Ann, MO (US)

(73) Assignee: **Emerson Electric Co.**, St. Louis, MO (US)

(\*\*) Term: **14 Years**

(21) Appl. No.: **29/461,128**

(22) Filed: **Jul. 18, 2013**

(51) **LOC (10) Cl.** ..... **13-02**

(52) **U.S. Cl.**

USPC ..... **D13/108**

(58) **Field of Classification Search**

USPC ..... D13/107-110, 118-119, 184, 199;  
D14/251, 253, 432, 434; 320/107-115,  
320/128, 137-140; D32/25, 31

See application file for complete search history.

(56) **References Cited**

**U.S. PATENT DOCUMENTS**

D300,214 S 3/1989 Adams  
D327,247 S \* 6/1992 Higuchi et al. .... D13/108  
D420,323 S \* 2/2000 Nakamura ..... D13/107

D462,657 S \* 9/2002 Kaneko ..... D13/107  
6,879,254 B1 4/2005 Graham  
7,332,889 B2 2/2008 Glasgow et al.  
D571,721 S 6/2008 Yang  
D610,982 S \* 3/2010 Shum et al. .... D13/107  
D637,951 S \* 5/2011 Perez ..... D13/108  
D647,475 S 10/2011 Spencer et al.  
D654,017 S \* 2/2012 Lentine ..... D13/107  
D661,930 S \* 6/2012 Gebski ..... D6/534  
D662,469 S \* 6/2012 Mulder et al. .... D13/107  
D668,219 S \* 10/2012 Zhao et al. .... D13/107  
8,343,654 B2 1/2013 Churchill

\* cited by examiner

*Primary Examiner* — Rosemary K Tarca

(74) *Attorney, Agent, or Firm* — Sutton McAughan Deaver, PLLC

(57) **CLAIM**

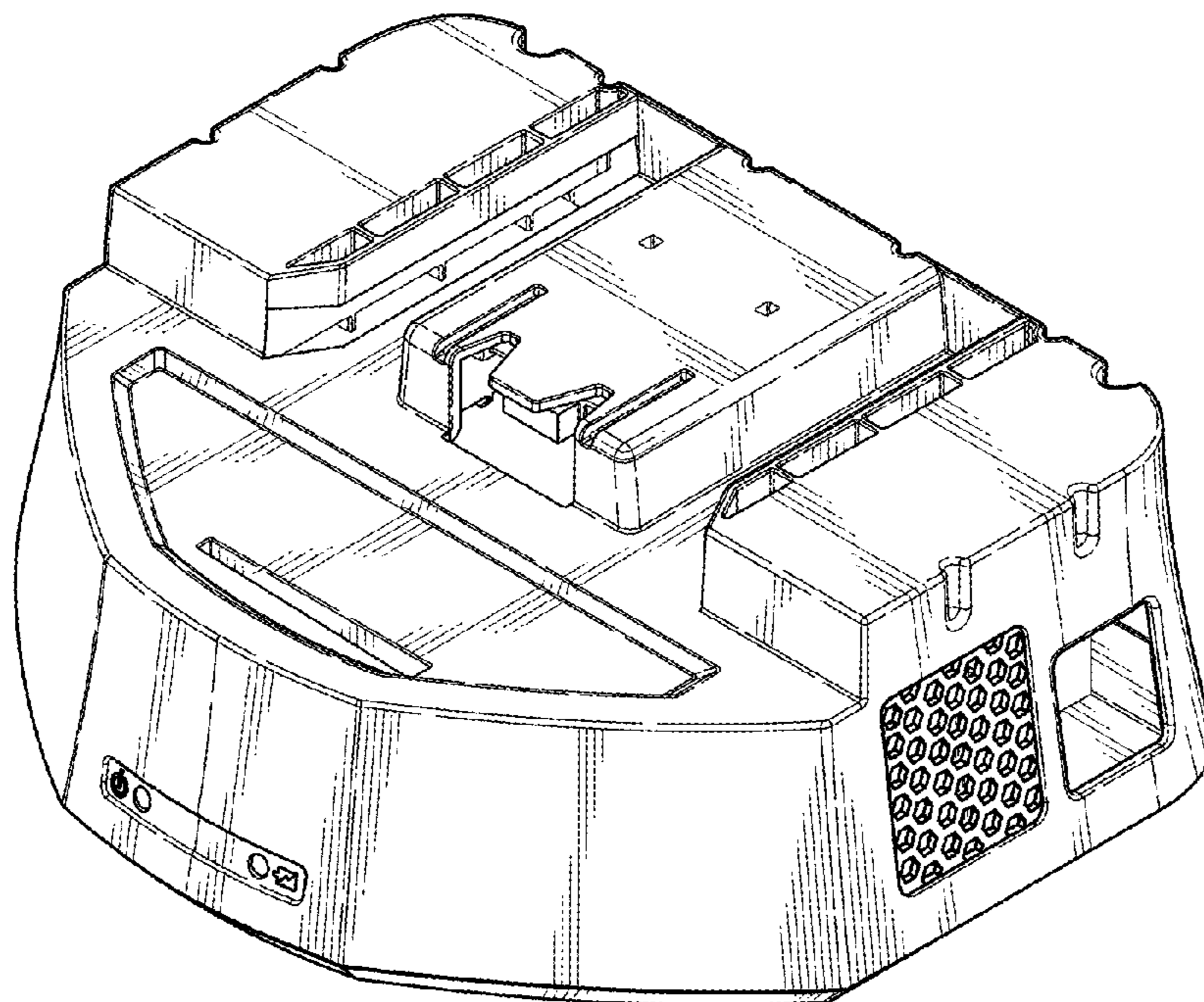
The ornamental design for a battery charger for a vacuum appliance, as shown and described.

**DESCRIPTION**

FIG. 1 is an isometric front perspective view of the front and upper surface of the battery charger for a vacuum appliance; FIG. 2 is a front view thereof; FIG. 3 is a top view thereof; FIG. 4 is bottom view thereof; FIG. 5 is a side view thereof; and, FIG. 6, is a side view thereof, showing the side opposite that shown in FIG. 5.

The broken lines in the drawings are for purpose of illustrating unclaimed portions of the battery charger and form no part of the claimed design.

**1 Claim, 3 Drawing Sheets**



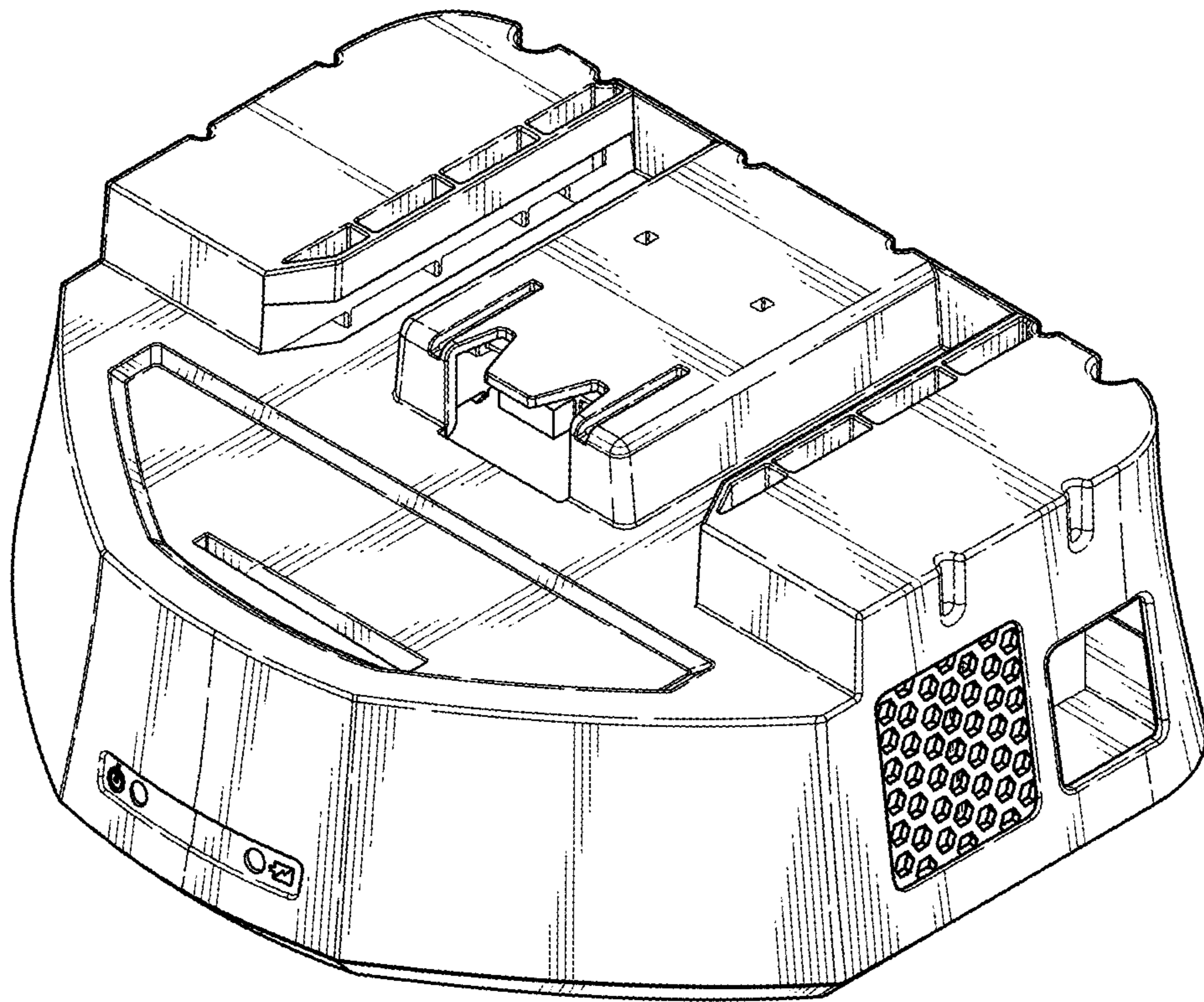


FIG. 1

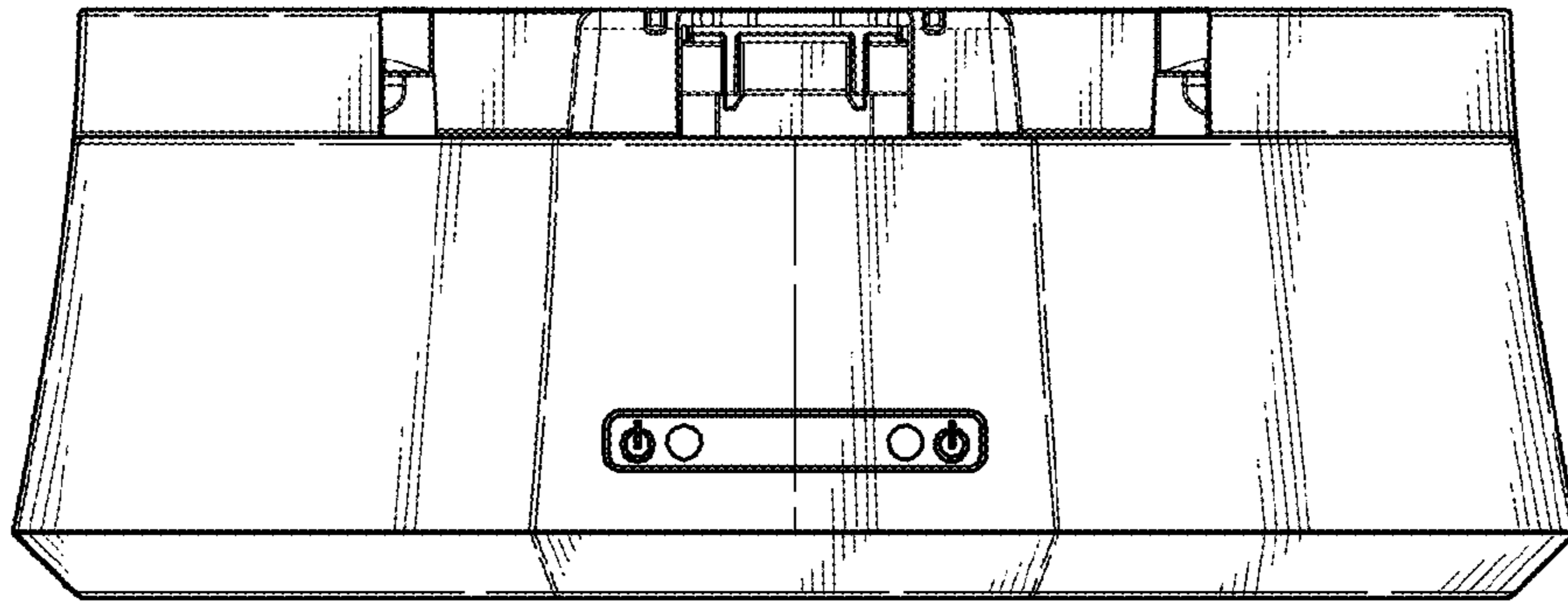


FIG. 2

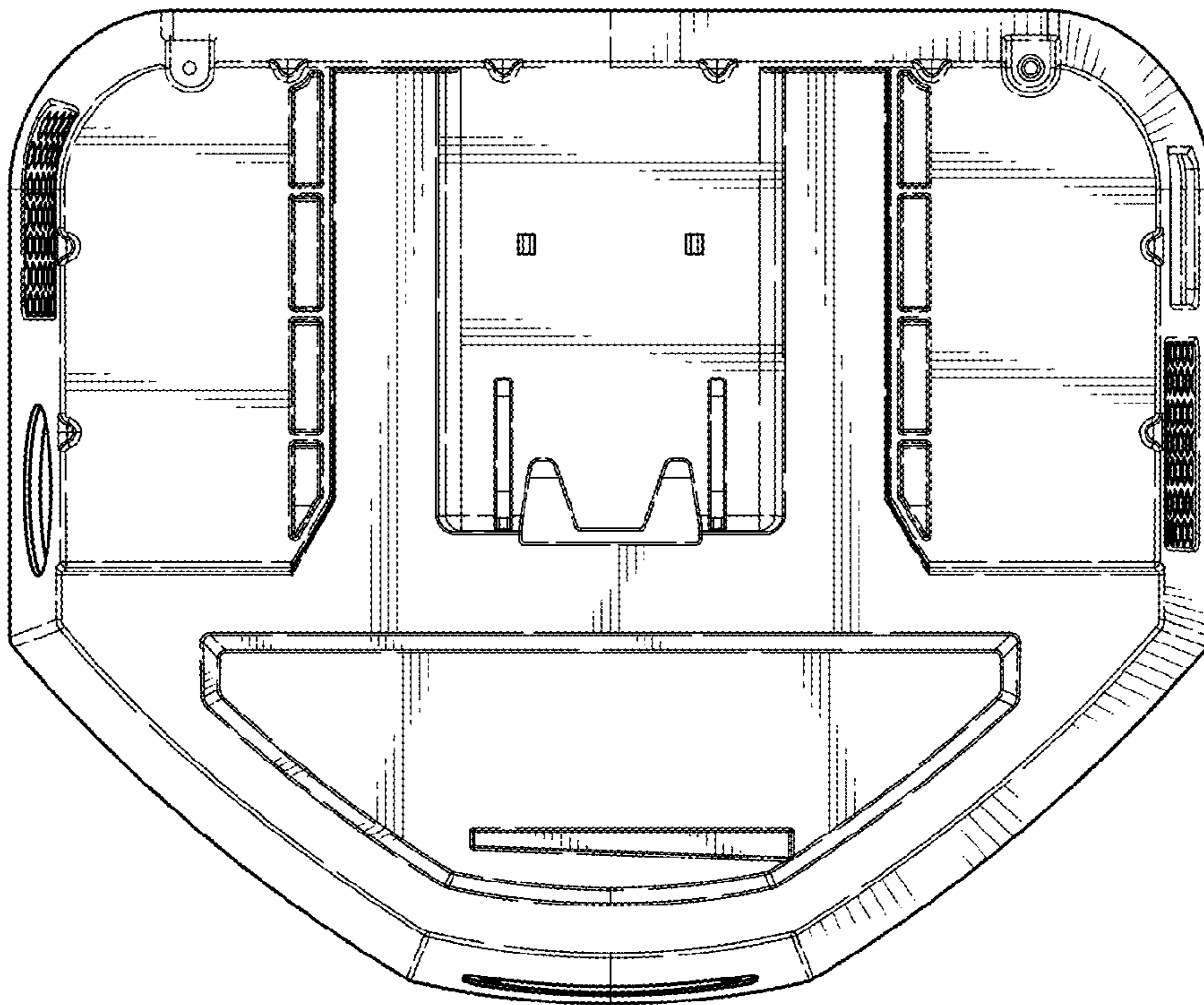


FIG. 3

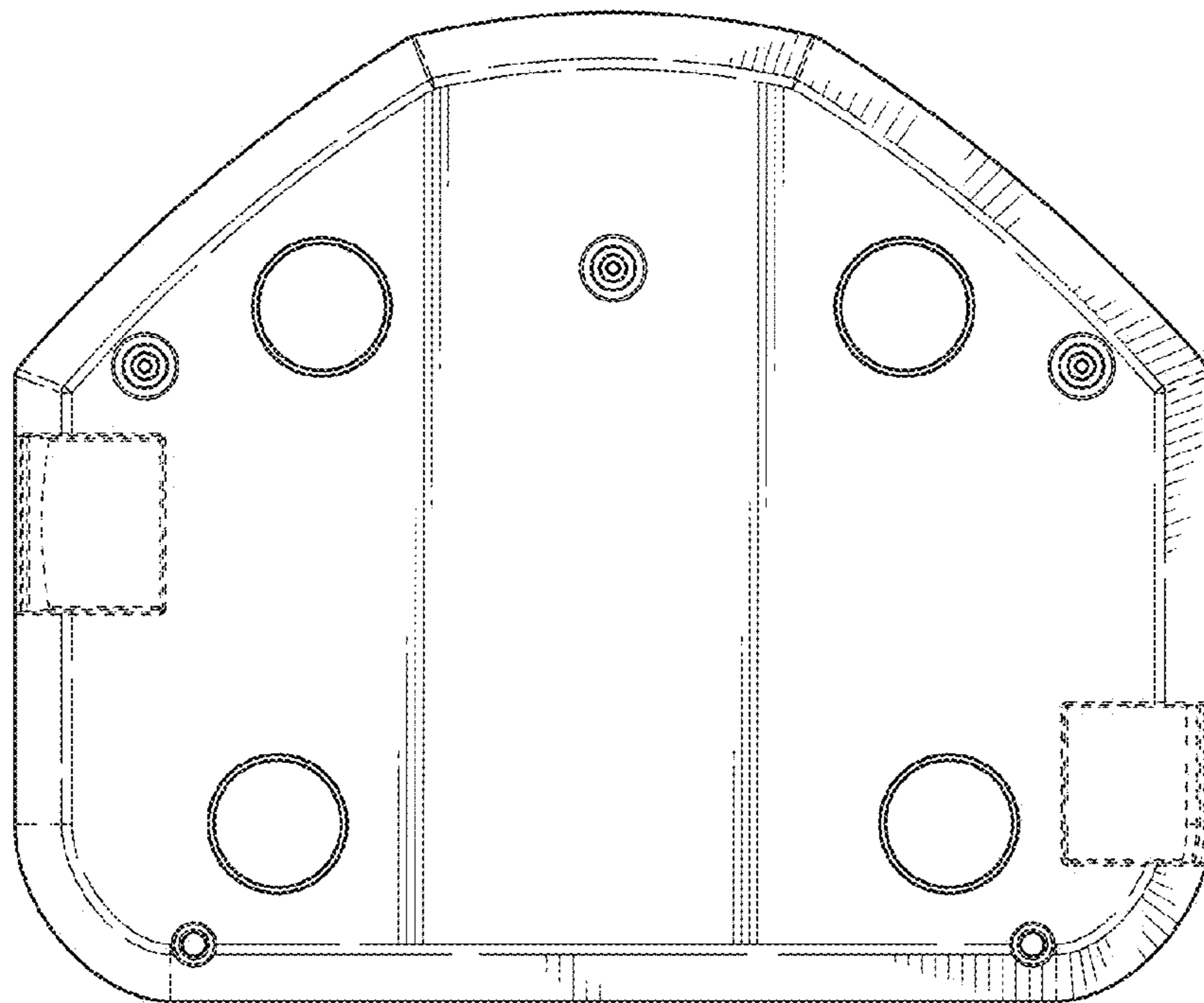


FIG. 4

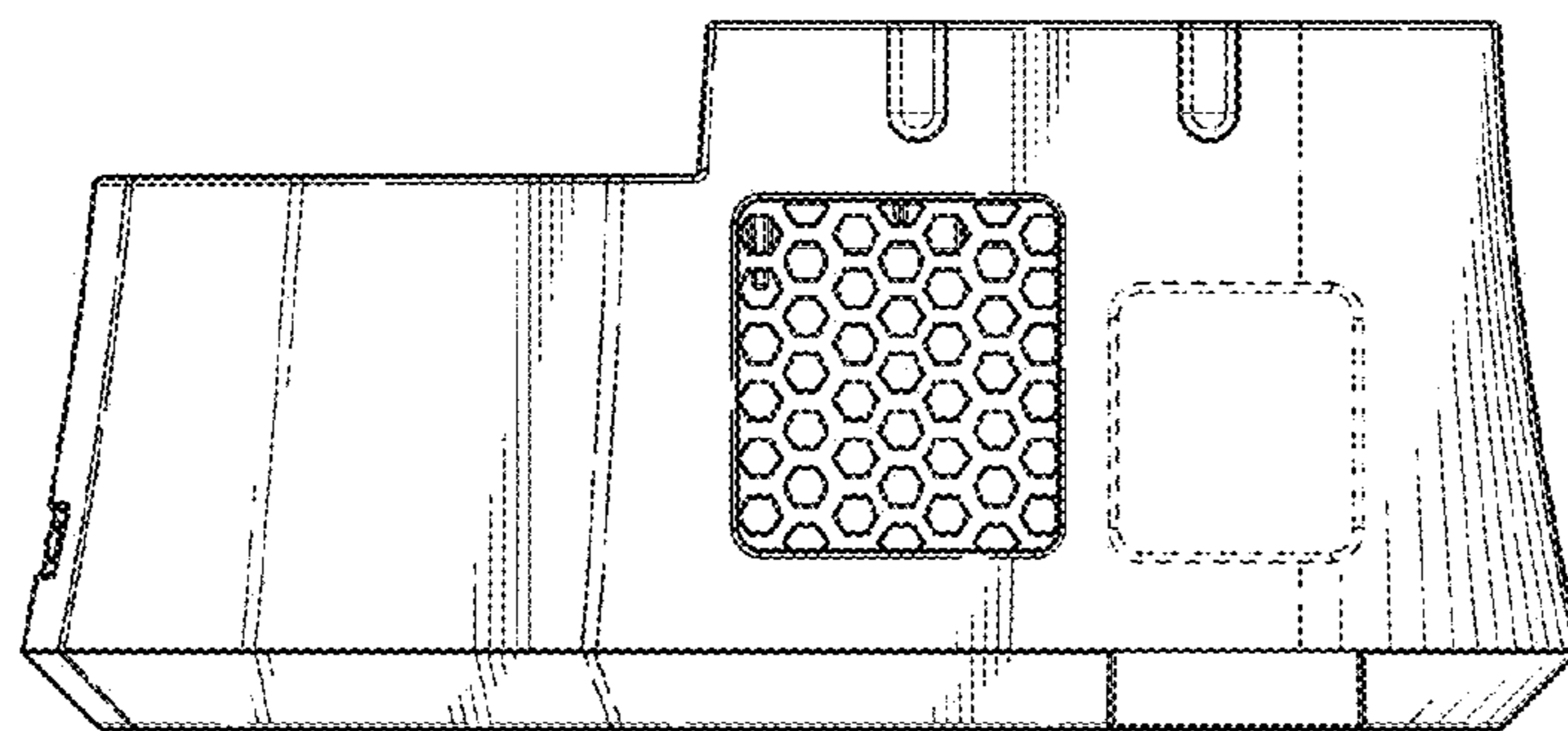


FIG. 5

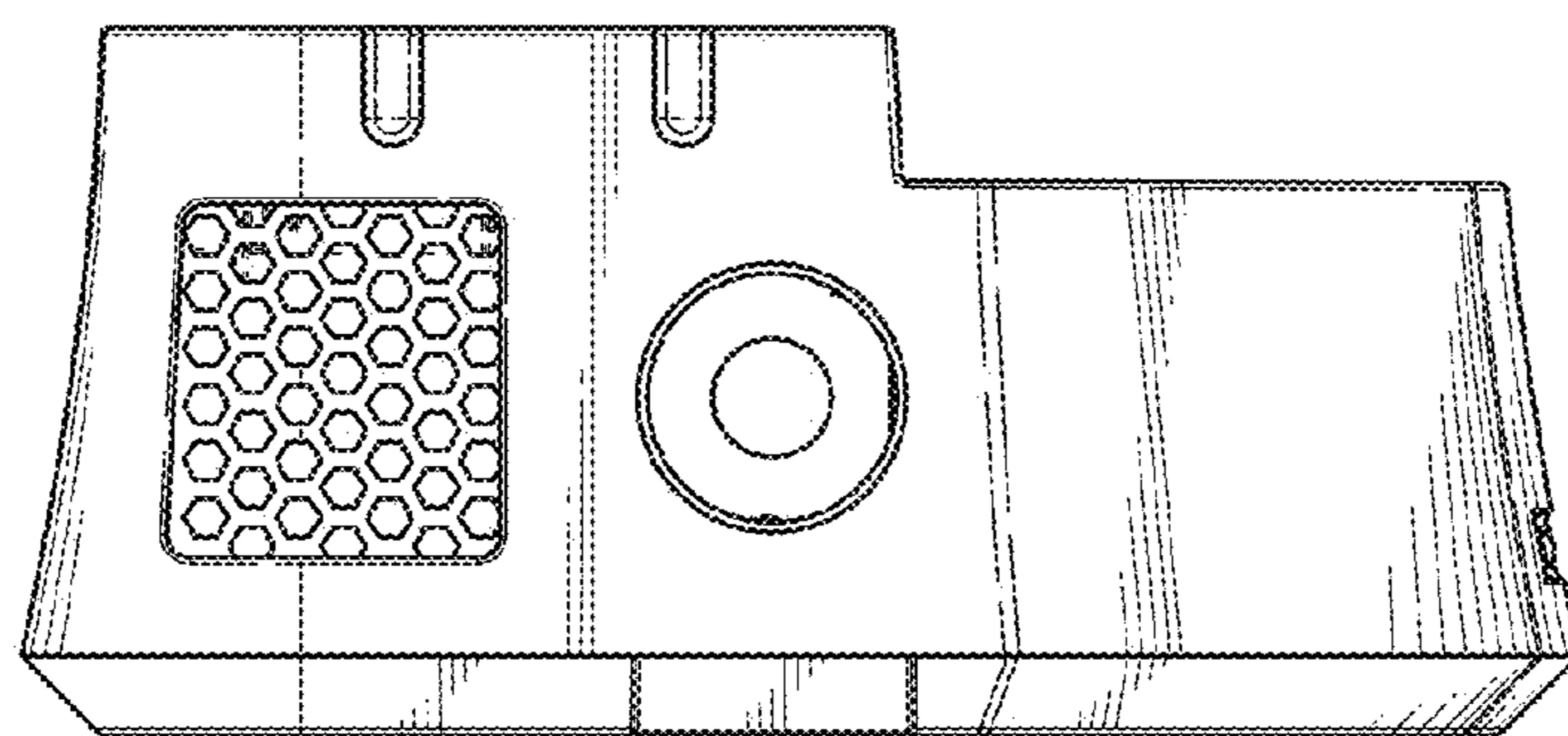


FIG. 6