



US00D719910S

(12) **United States Design Patent**  
**Burkett et al.**

(10) **Patent No.:** **US D719,910 S**

(45) **Date of Patent:** **\*\* Dec. 23, 2014**

- (54) **ENERGY STORAGE DEVICE**
- (71) Applicant: **General Electric Company**,  
Schenectady, NY (US)
- (72) Inventors: **Gregory Scott Burkett**, Cambridge, MA  
(US); **Dirk Ahlgrim**, Boston, MA (US);  
**Jeffrey Ryan Chapin**, Providence, RI  
(US); **Salim Dogan Sekercioglu**, Umea  
(SE); **Matt Weiss**, Arlington, MA (US)
- (73) Assignee: **General Electric Company**,  
Schenectady, NY (US)
- (\*\*) Term: **14 Years**
- (21) Appl. No.: **29/445,747**
- (22) Filed: **Feb. 15, 2013**
- (51) **LOC (10) Cl.** ..... **13-02**
- (52) **U.S. Cl.**  
USPC ..... **D13/106**
- (58) **Field of Classification Search**  
USPC ..... D13/103-109, 118-122, 110-116;  
320/110-113; 429/96-100, 163,  
429/175-176, 187; D15/9  
See application file for complete search history.

- D597,942 S \* 8/2009 Koizumi ..... D13/110
- D622,737 S \* 8/2010 Nagai et al. .... D15/9
- 7,835,534 B2 \* 11/2010 Cole et al. .... 320/112
- D644,993 S \* 9/2011 van Deursen ..... D13/116
- 8,389,141 B2 \* 3/2013 Suzuki et al. .... 429/97
- 2010/0136425 A1 \* 6/2010 Gau et al. .... 429/187

\* cited by examiner

*Primary Examiner* — Susan Bennett Hattan

*Assistant Examiner* — Brett Miller

(74) *Attorney, Agent, or Firm* — GE Global Patent  
Operation; John A. Kramer

(57) **CLAIM**

The ornamental design for an energy storage device, as shown  
and described.

**DESCRIPTION**

FIG. 1 is a perspective view of an energy storage device showing an embodiment of the new design;  
 FIG. 2 is a front view of an embodiment of the energy storage device;  
 FIG. 3 is a rear view of an embodiment of the energy storage device;  
 FIG. 4 is a top view of an embodiment of the energy storage device;  
 FIG. 5 is a side view of an embodiment of the energy storage device (in embodiments, the left side and right side are the same); and,  
 FIG. 6 is a bottom view of an embodiment of the energy storage device.

The broken lines depict portions of the energy storage device that form no part of the claimed design.

The energy storage device is shown with a symbolic break in its length. The appearance of any portion of the article between the break lines forms no part of the claimed design.

**1 Claim, 4 Drawing Sheets**

(56) **References Cited**

U.S. PATENT DOCUMENTS

- 1,540,155 A \* 6/1925 Wydom et al. .... 429/187
- 6,153,331 A \* 11/2000 Brantley et al. .... 429/187
- D486,447 S \* 2/2004 Fan ..... D13/114
- D494,928 S \* 8/2004 Fan ..... D13/112
- D557,710 S \* 12/2007 Sharp ..... D15/9
- D575,309 S \* 8/2008 Steinfels et al. .... D15/9
- D588,987 S \* 3/2009 Kato ..... D13/116

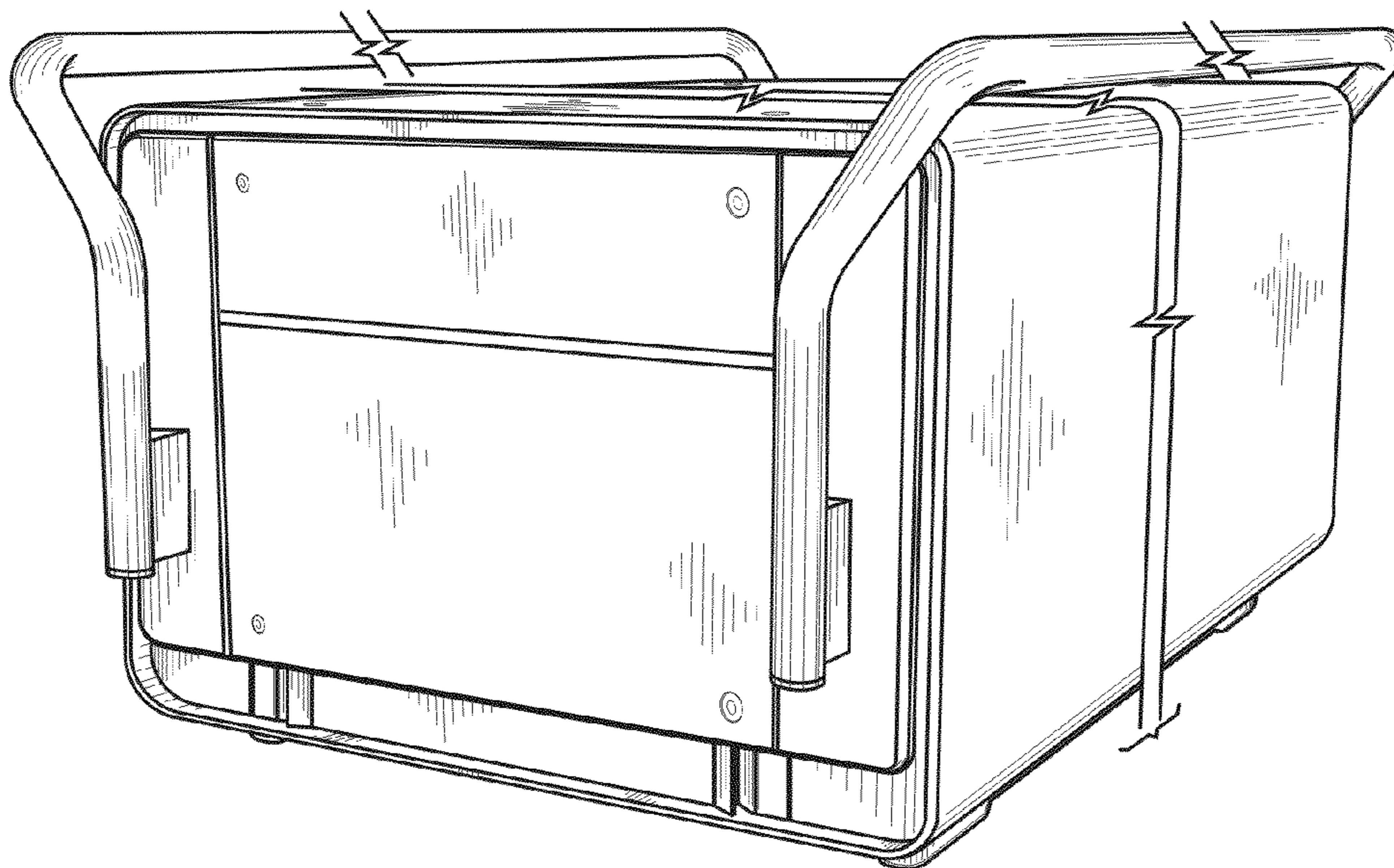


Figure 1

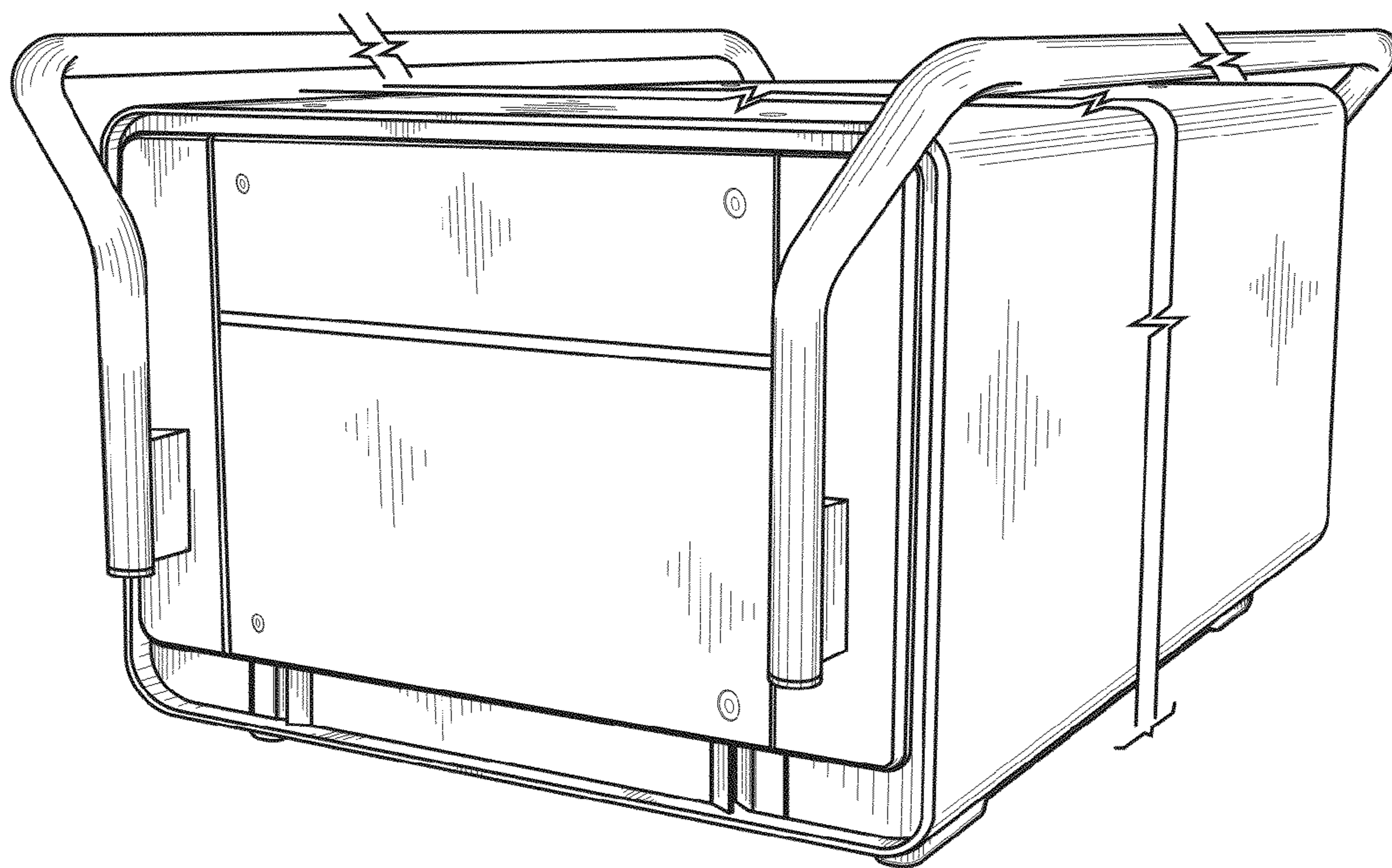


Figure 2

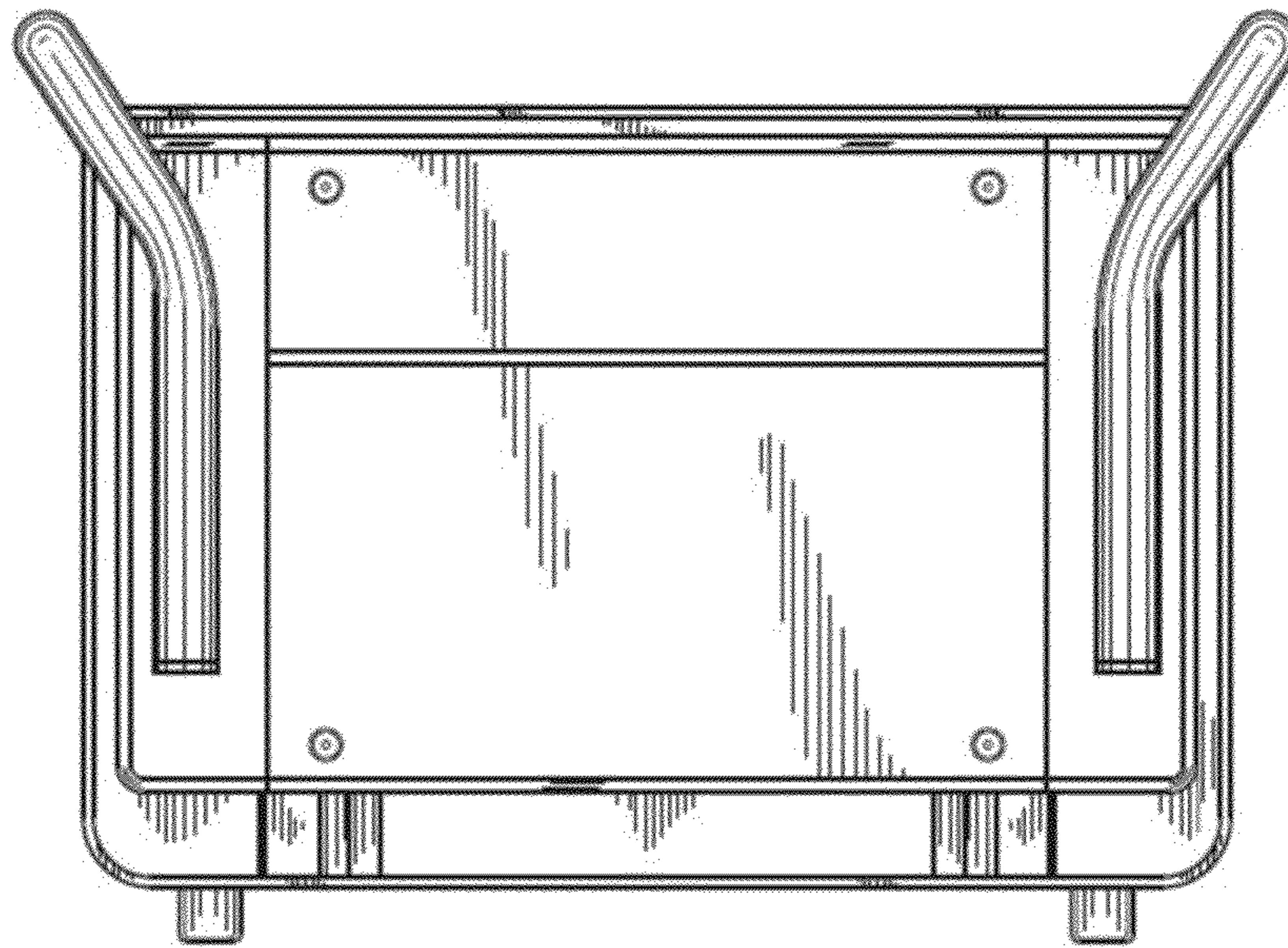


Figure 3

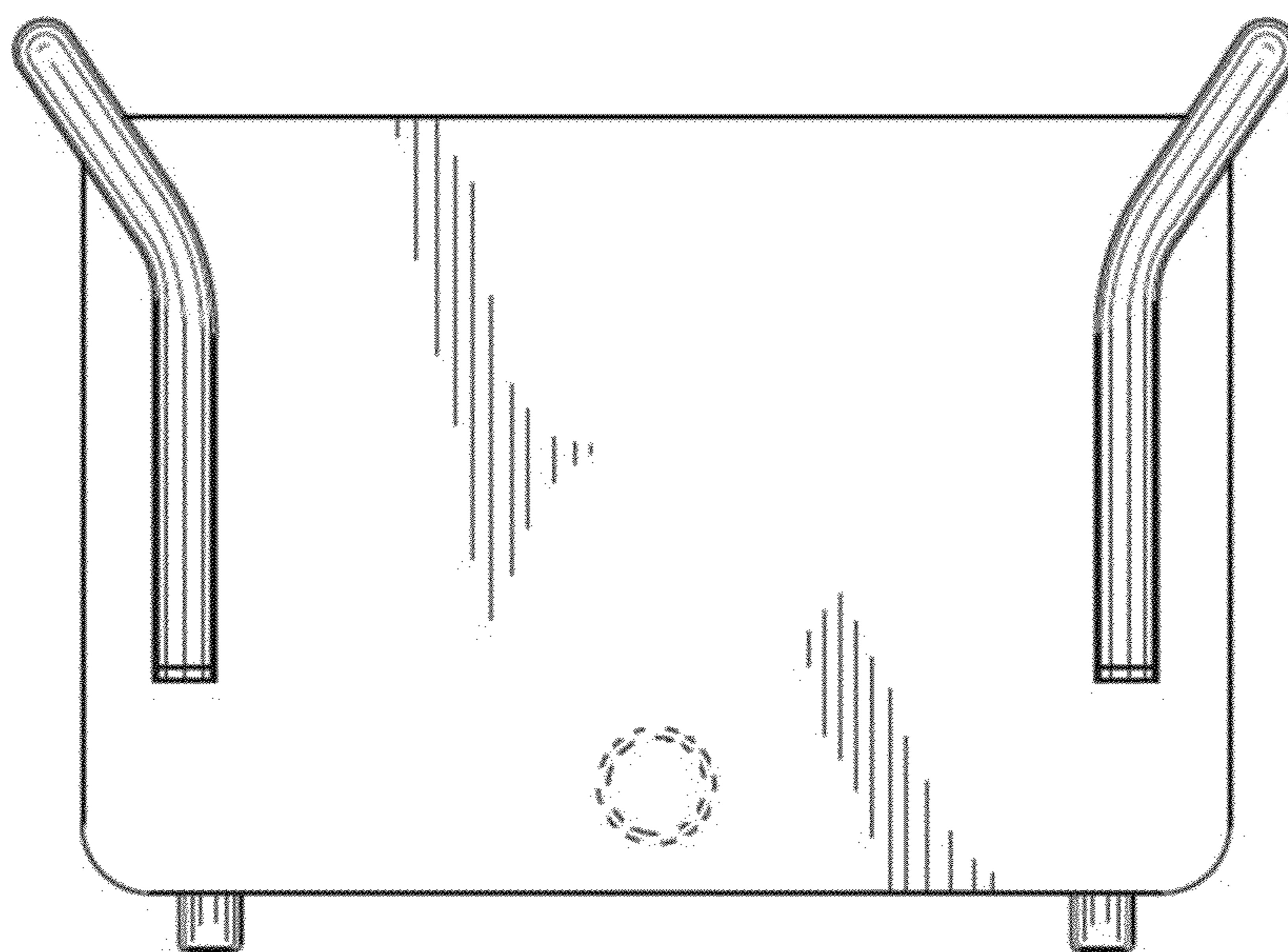


Figure 4

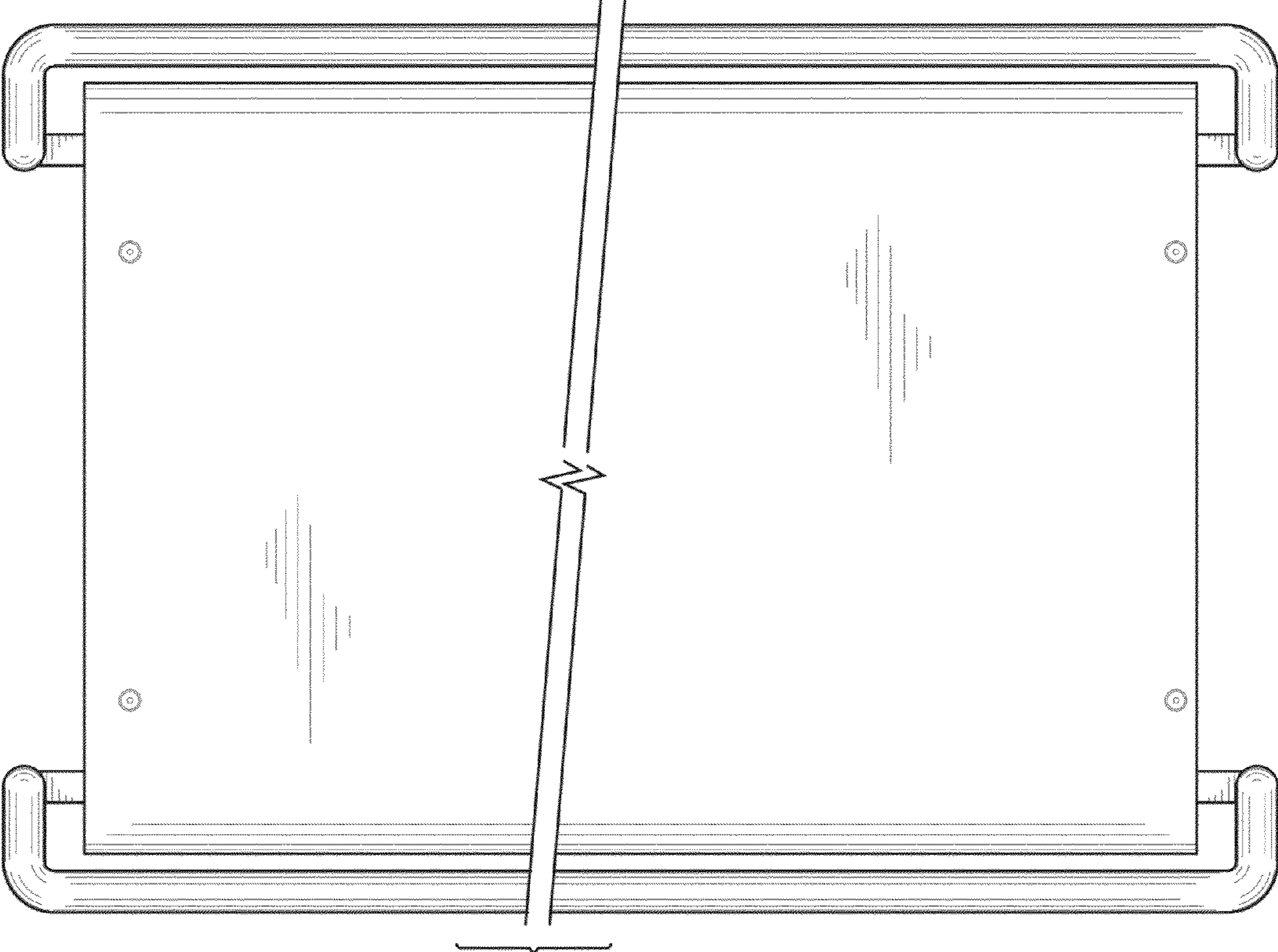


Figure 5

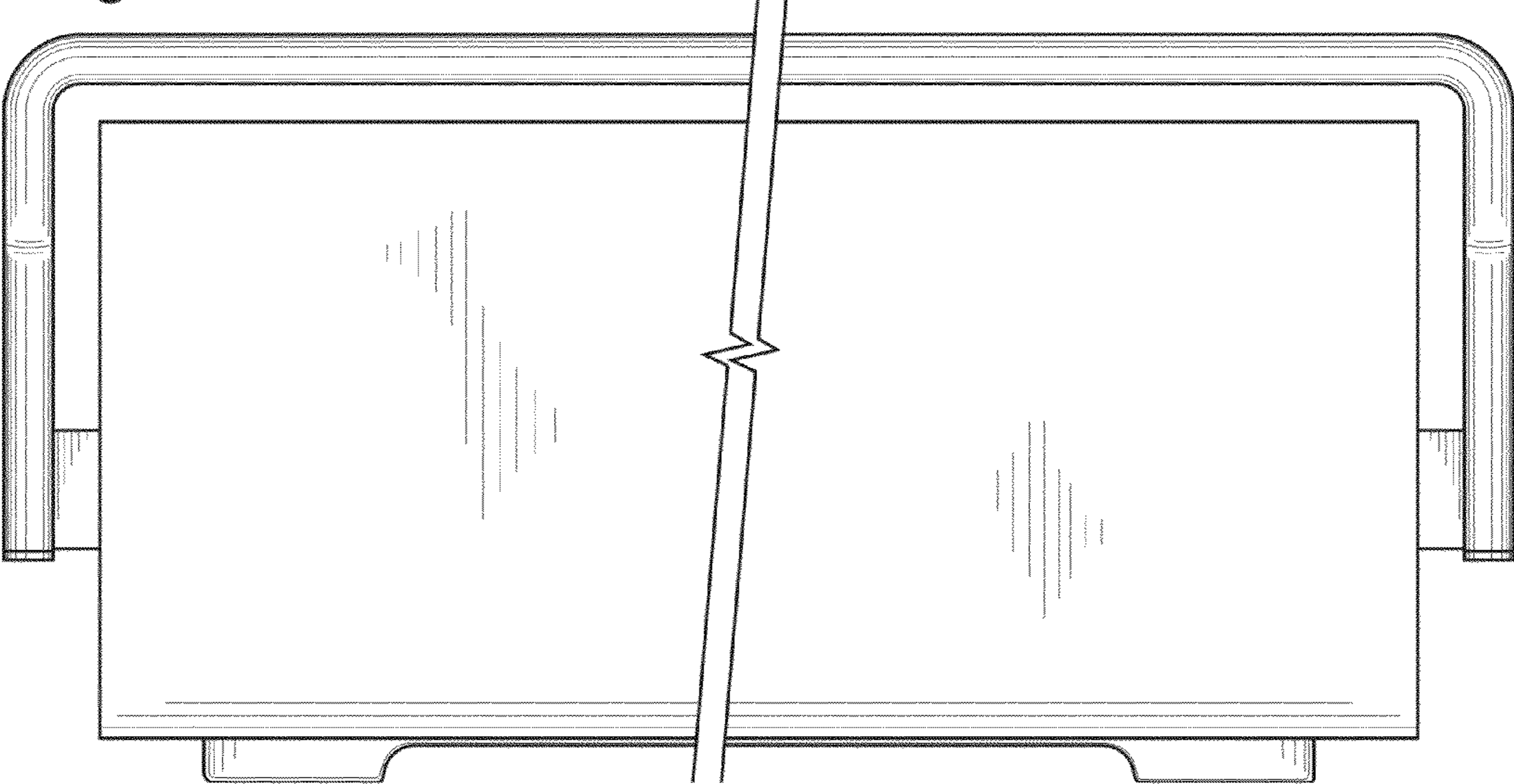


Figure 6

