



US00D719909S

(12) **United States Design Patent**
Iwasaki et al.

(10) **Patent No.:** **US D719,909 S**

(45) **Date of Patent:** **** Dec. 23, 2014**

(54) **CONDENSING LENS PLATE FOR SOLAR GENERATION PANEL**

(75) Inventors: **Takashi Iwasaki**, Osaka (JP);
Masanobu Koganeya, Osaka (JP)

(73) Assignee: **Sumitomo Electric Industries, Ltd.**,
Osaka (JP)

(**) Term: **14 Years**

(21) Appl. No.: **29/395,172**

(22) Filed: **Dec. 9, 2011**

(30) **Foreign Application Priority Data**

Jun. 10, 2011 (JP) 2011-013198
Nov. 22, 2011 (JP) 2011-026943
Nov. 22, 2011 (JP) 2011-026944

(51) **LOC (10) Cl.** **13-02**

(52) **U.S. Cl.**
USPC **D13/102**

(58) **Field of Classification Search**
USPC D13/101, 102, 107, 184, 199; D25/55,
D25/57; 52/74, 78; 126/605, 606, 608;
136/243–246, 251; 320/101
See application file for complete search history.

(56) **References Cited**

U.S. PATENT DOCUMENTS

5,969,501 A * 10/1999 Glidden et al. 320/101
6,105,316 A * 8/2000 Bottger et al. 52/173.3
6,559,371 B2 * 5/2003 Shingleton et al. 136/246
7,487,771 B1 * 2/2009 Eiffert et al. 126/622
D656,091 S * 3/2012 van den Donker et al. .. D13/102
8,194,331 B2 * 6/2012 Shin et al. 359/742
8,448,391 B2 * 5/2013 Botkin et al. 52/173.3
D696,186 S * 12/2013 Kannou et al. D13/102
2010/0126556 A1 * 5/2010 Benitez et al. 136/246
2011/0017274 A1 * 1/2011 Huang et al. 136/246
2011/0132430 A1 * 6/2011 Chen et al. 136/246
2012/0233940 A1 * 9/2012 Perkins et al. 52/173.3
2012/0298178 A1 * 11/2012 Rohrmoser et al. 136/246

2012/0298181 A1 * 11/2012 Cashion et al. 136/246
2013/0014805 A1 * 1/2013 Vaid et al. 136/246
2014/0083488 A1 * 3/2014 Song et al. 136/251

* cited by examiner

Primary Examiner — Derrick Holland

Assistant Examiner — Lauren Calve

(74) *Attorney, Agent, or Firm* — Dittthavong & Steiner, P.C.

(57) **CLAIM**

The ornamental design for a condensing lens plate for solar generation panel, as shown and described.

DESCRIPTION

FIG. 1 is a perspective view of a condensing lens plate for solar generation panel according to a first embodiment, showing our new design;

FIG. 2 is a top plan view thereof, the bottom plan view being identical;

FIG. 3 is a front view thereof, the back view being identical; FIG. 4 is a left side view thereof, the right side view being identical;

FIG. 5 is a partial, enlarged view thereof according to lines 5-5 of FIG. 2;

FIG. 6 is a partial, enlarged sectional view thereof according to lines 6-6 of FIG. 5;

FIG. 7 is a partial, enlarged sectional view thereof according to lines 7-7 of FIG. 6;

FIG. 8 is a partial, enlarged sectional view thereof according to lines 8-8 of FIG. 6;

FIG. 9 is a perspective view of a condensing lens plate for solar generation panel according to a second embodiment, showing our new design;

FIG. 10 is a top plan view thereof, the bottom plan view being identical;

FIG. 11 is a front view thereof, the back view being identical; FIG. 12 is a left side view thereof, the right side view being identical;

FIG. 13 is a partial, enlarged view thereof according to lines 13-13 of FIG. 10;

FIG. 14 is a partial, enlarged sectional view thereof according to lines 14-14 of FIG. 13;

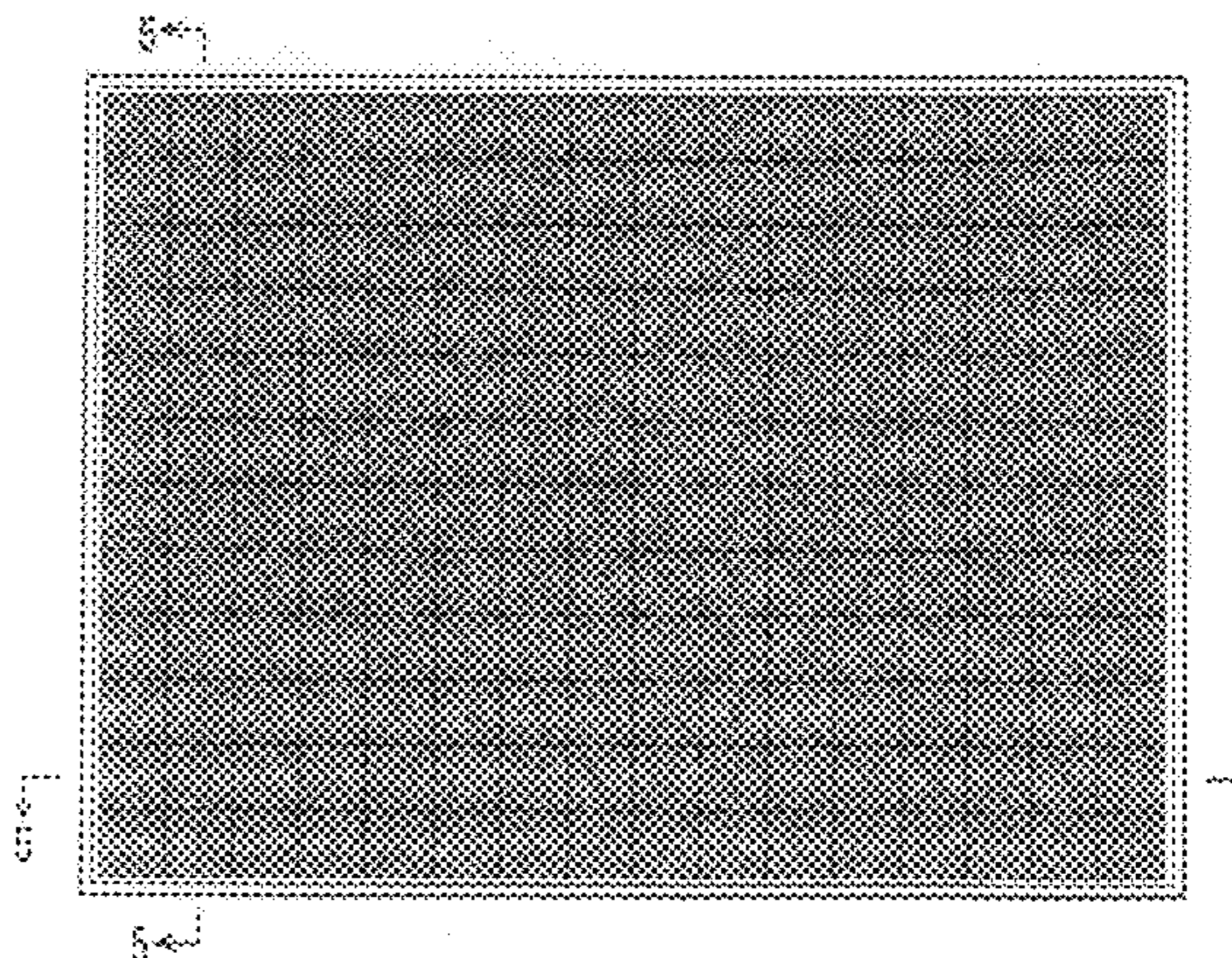
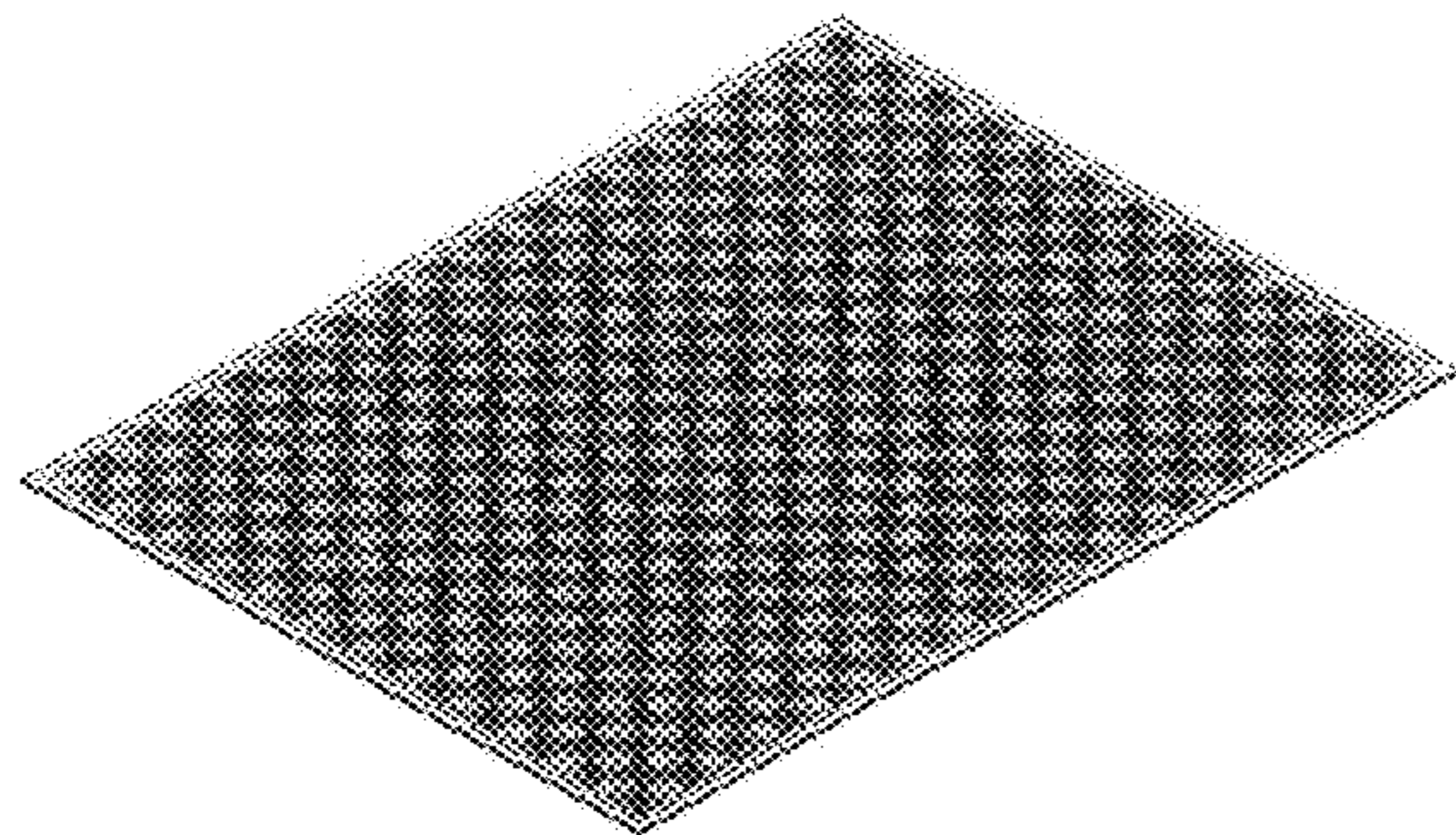


FIG. **15** is a partial, enlarged sectional view thereof according to lines **15-15** of FIG. **14**;

FIG. **16** is a partial, enlarged sectional view thereof according to lines **16-16** of FIG. **14**;

FIG. **17** is a perspective view of a condensing lens plate for solar generation panel according to a third embodiment, showing our new design;

FIG. **18** is a top plan view thereof, the bottom plan view being identical;

FIG. **19** is a front view thereof, the back, left side, and right side views being identical;

FIG. **20** is a partial, enlarged view thereof according to lines **20-20** of FIG. **18**;

FIG. **21** is a partial, enlarged sectional view thereof according to lines **21-21** of FIG. **20**;

FIG. **22** is a partial, enlarged sectional view thereof according to lines **22-22** of FIG. **21**; and,

FIG. **23** is a partial, enlarged sectional view according to lines **23-23** of FIG. **21**.

1 Claim, 10 Drawing Sheets

Fig. 1

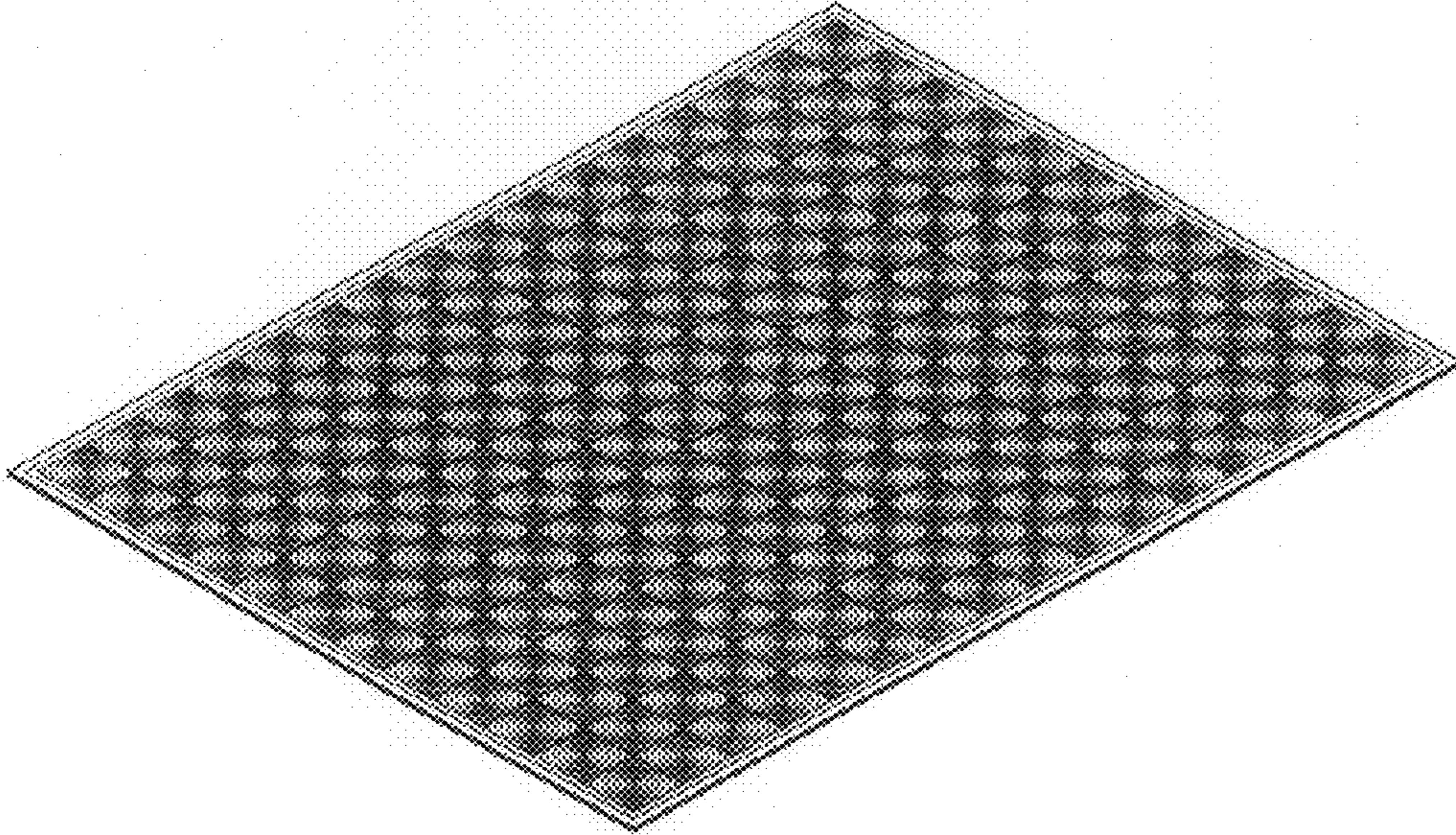


Fig. 2

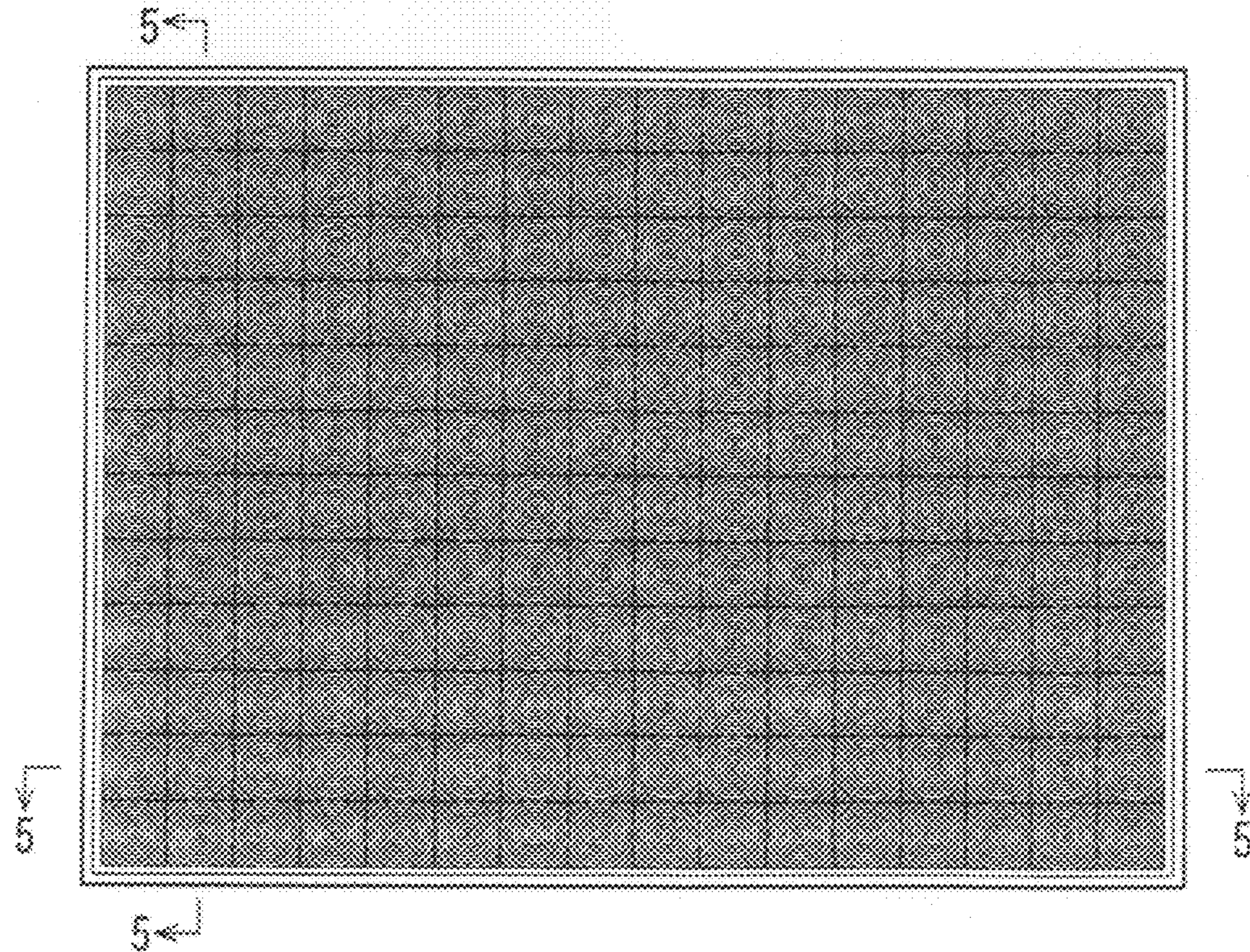


Fig. 3

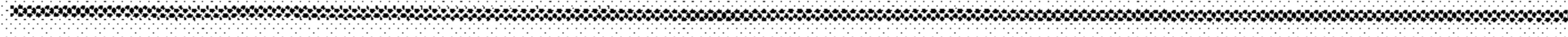


Fig. 4



Fig. 5

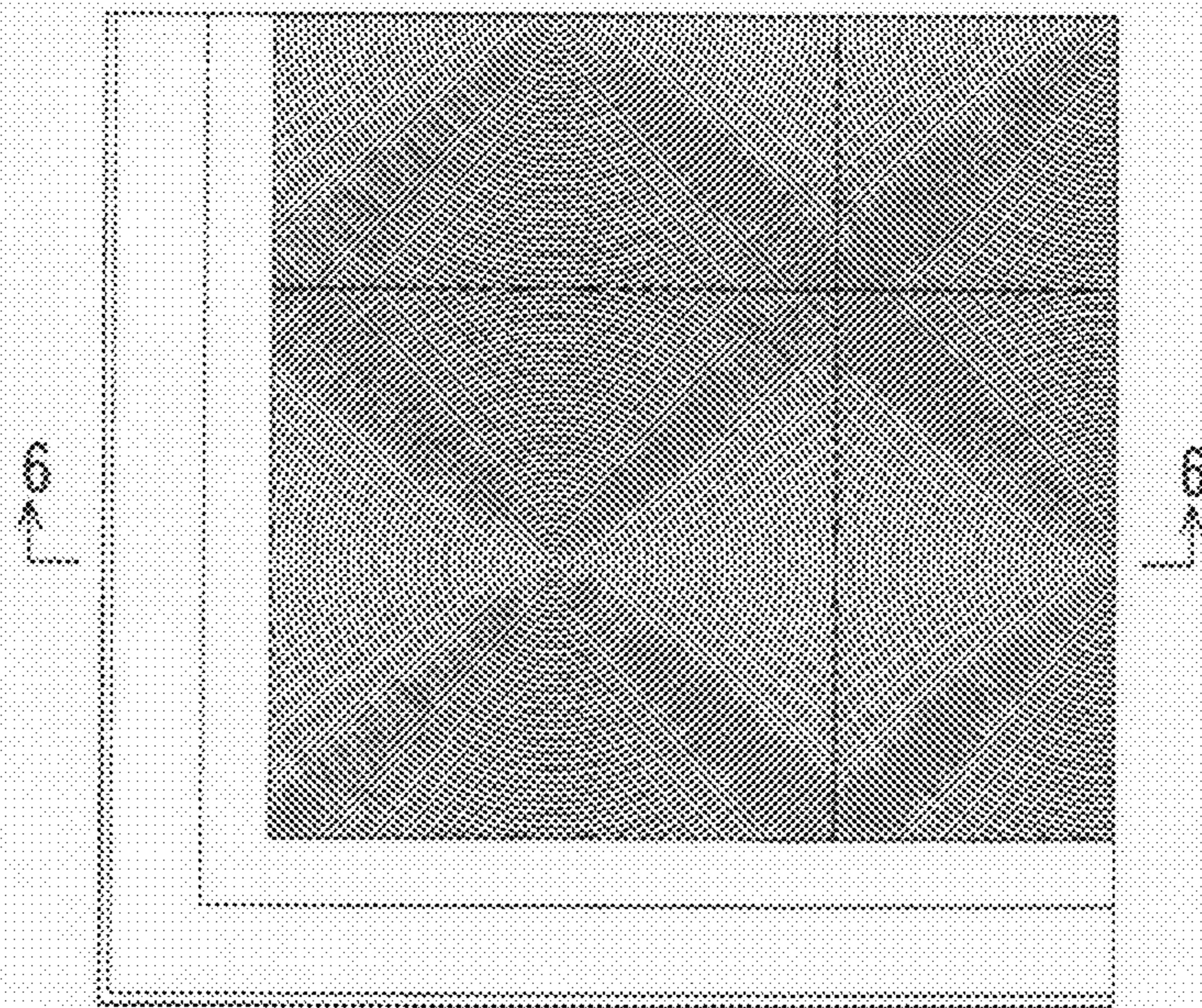


Fig. 6

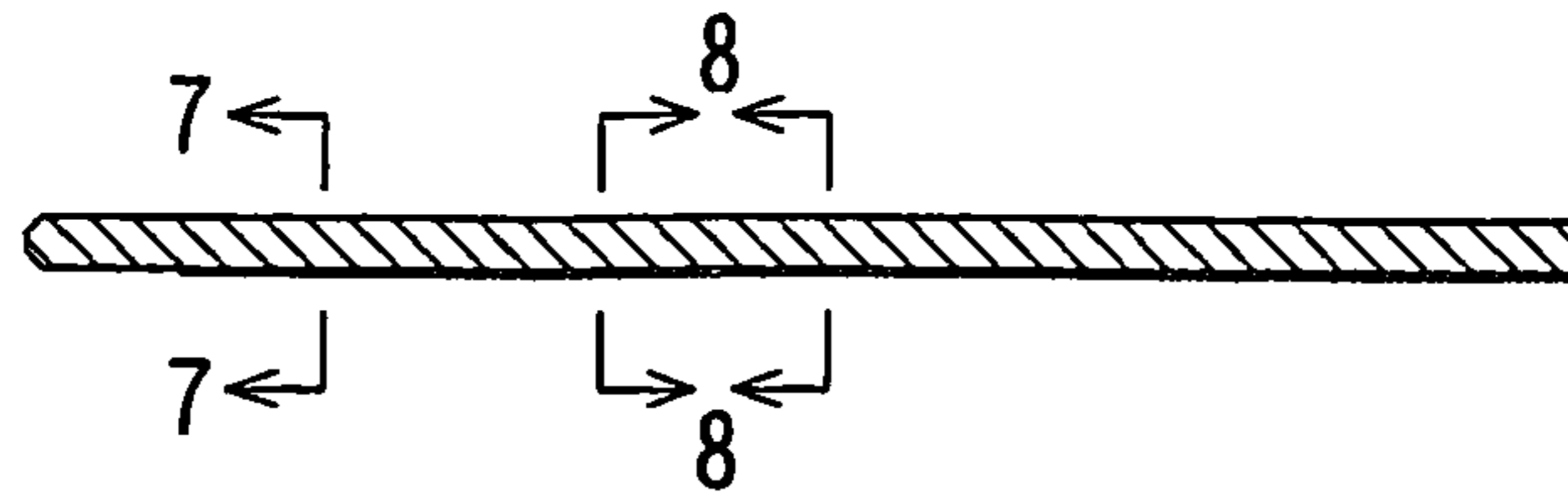


Fig. 7

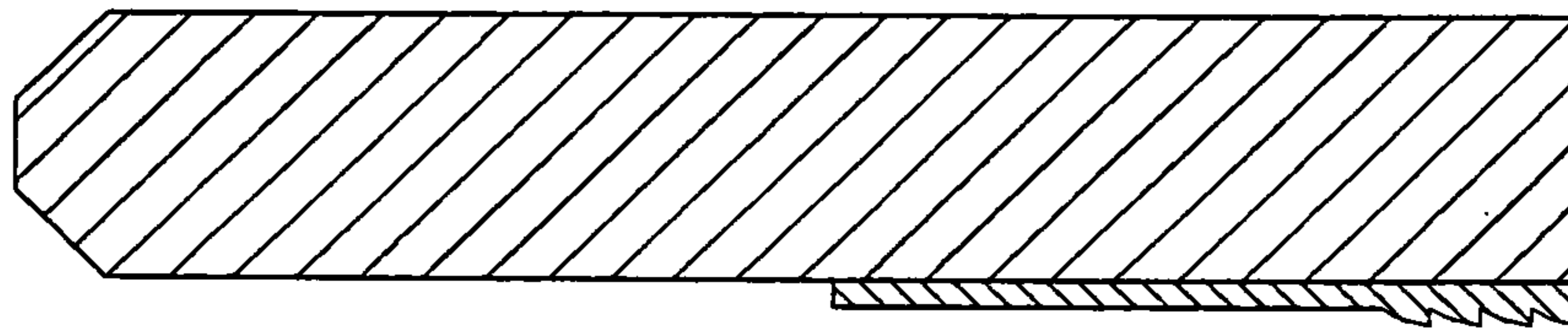


Fig. 8

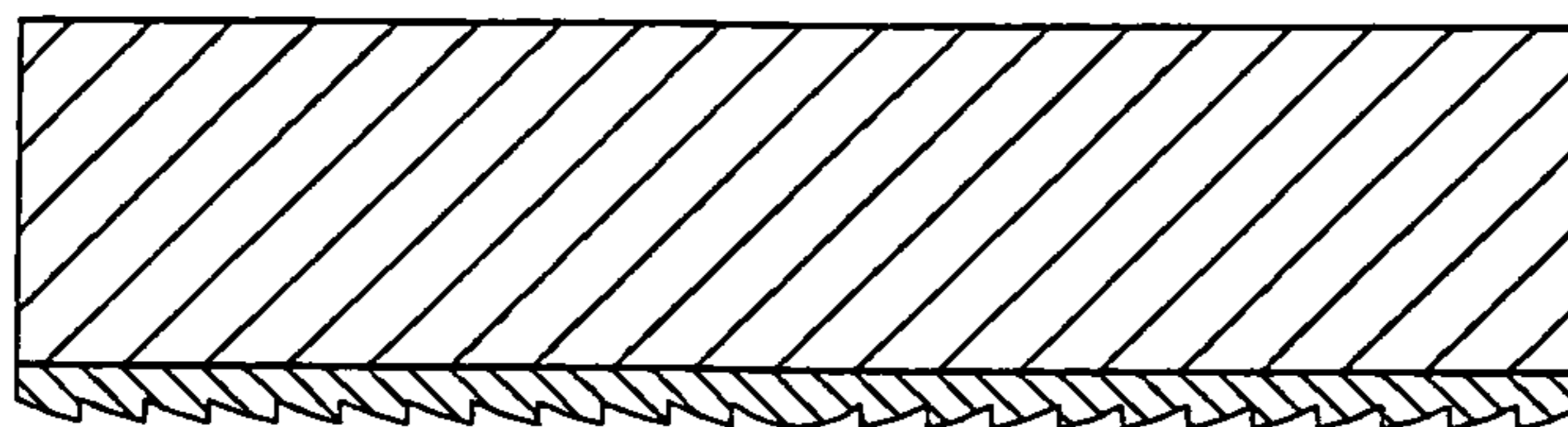


Fig. 9

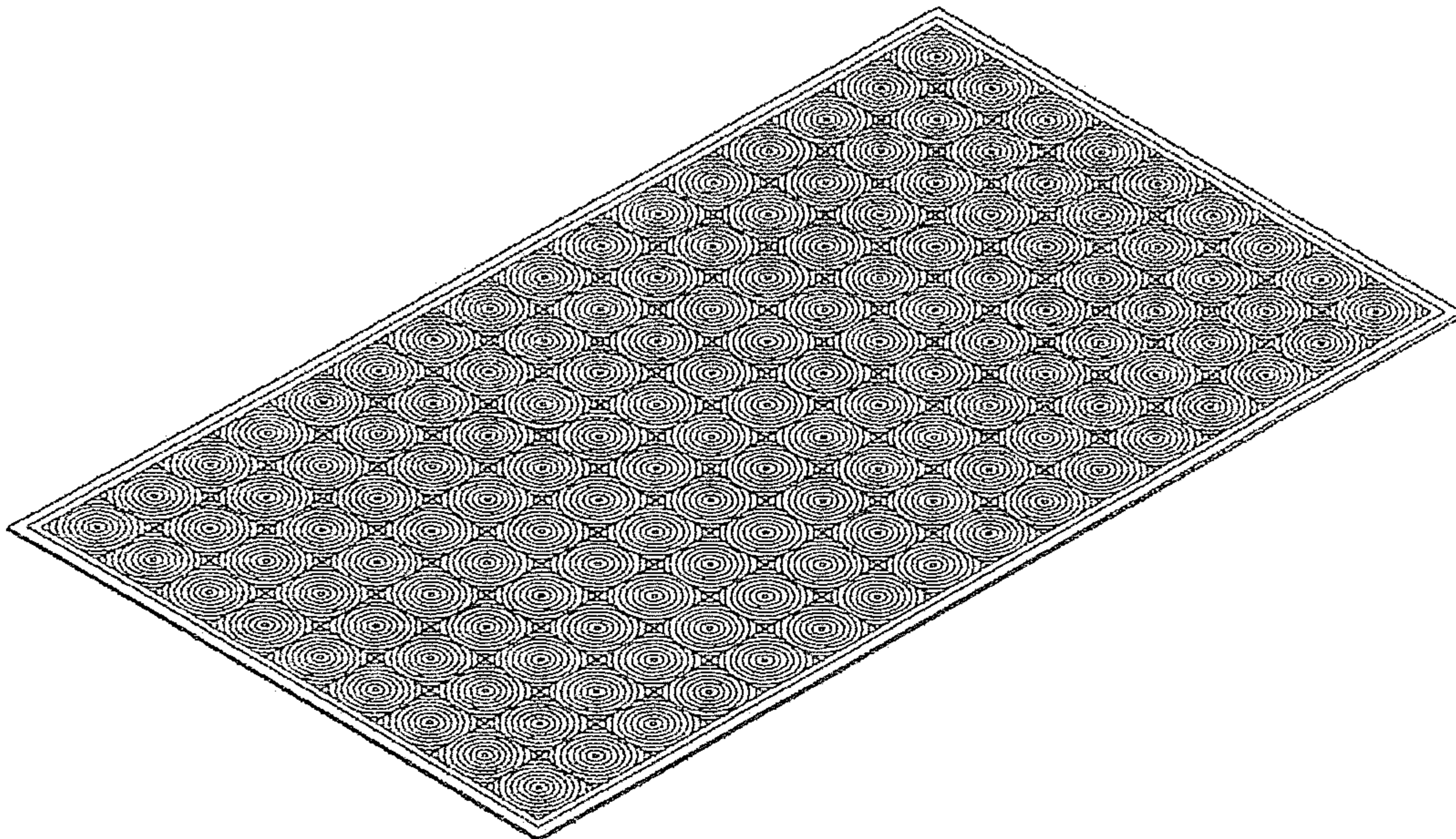


Fig. 10

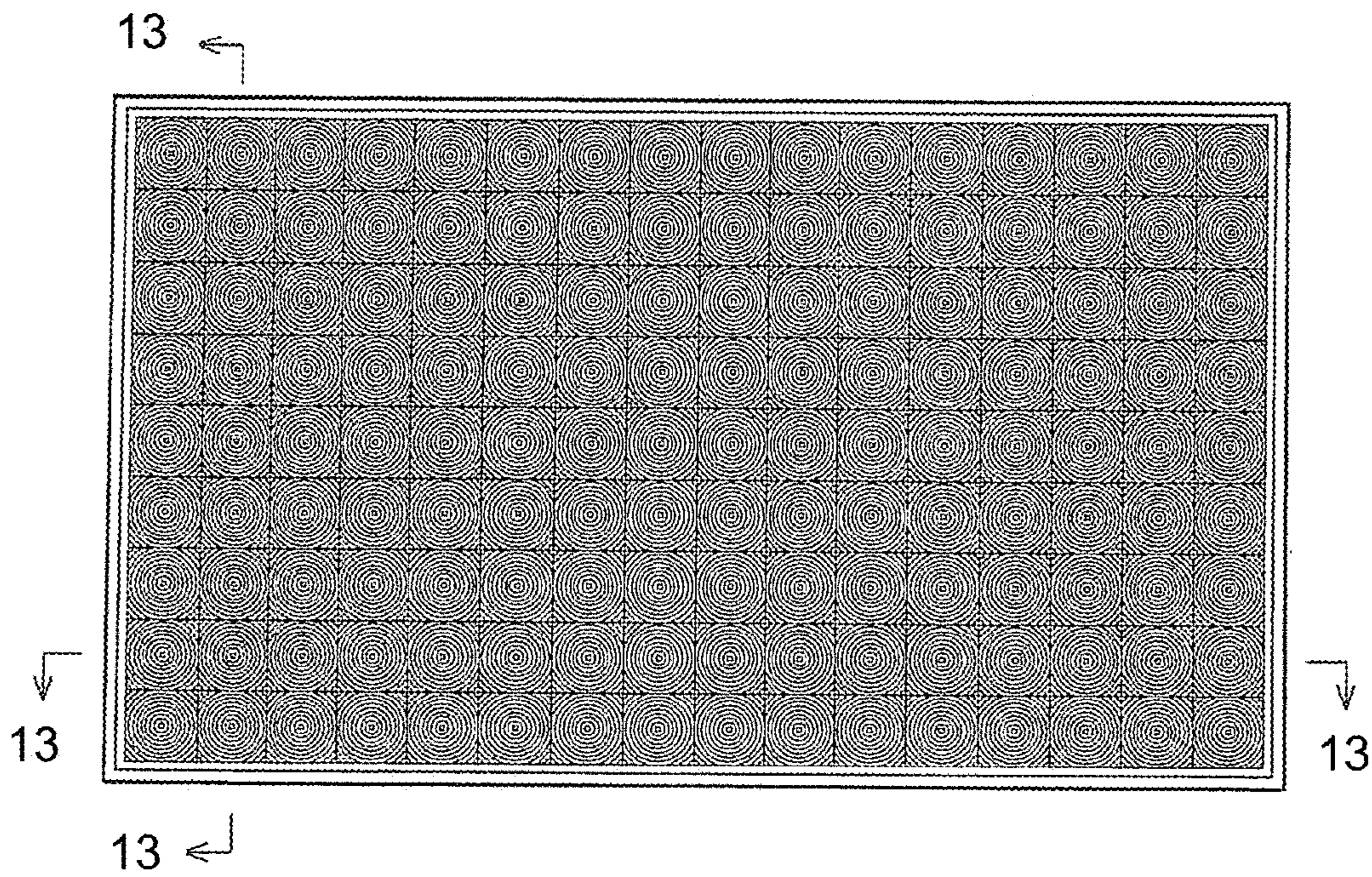


Fig. 11

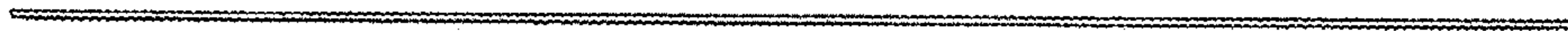


Fig. 12

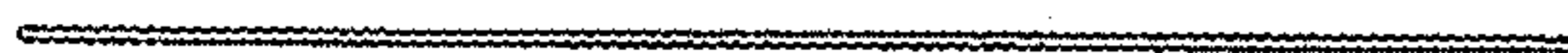


Fig. 13

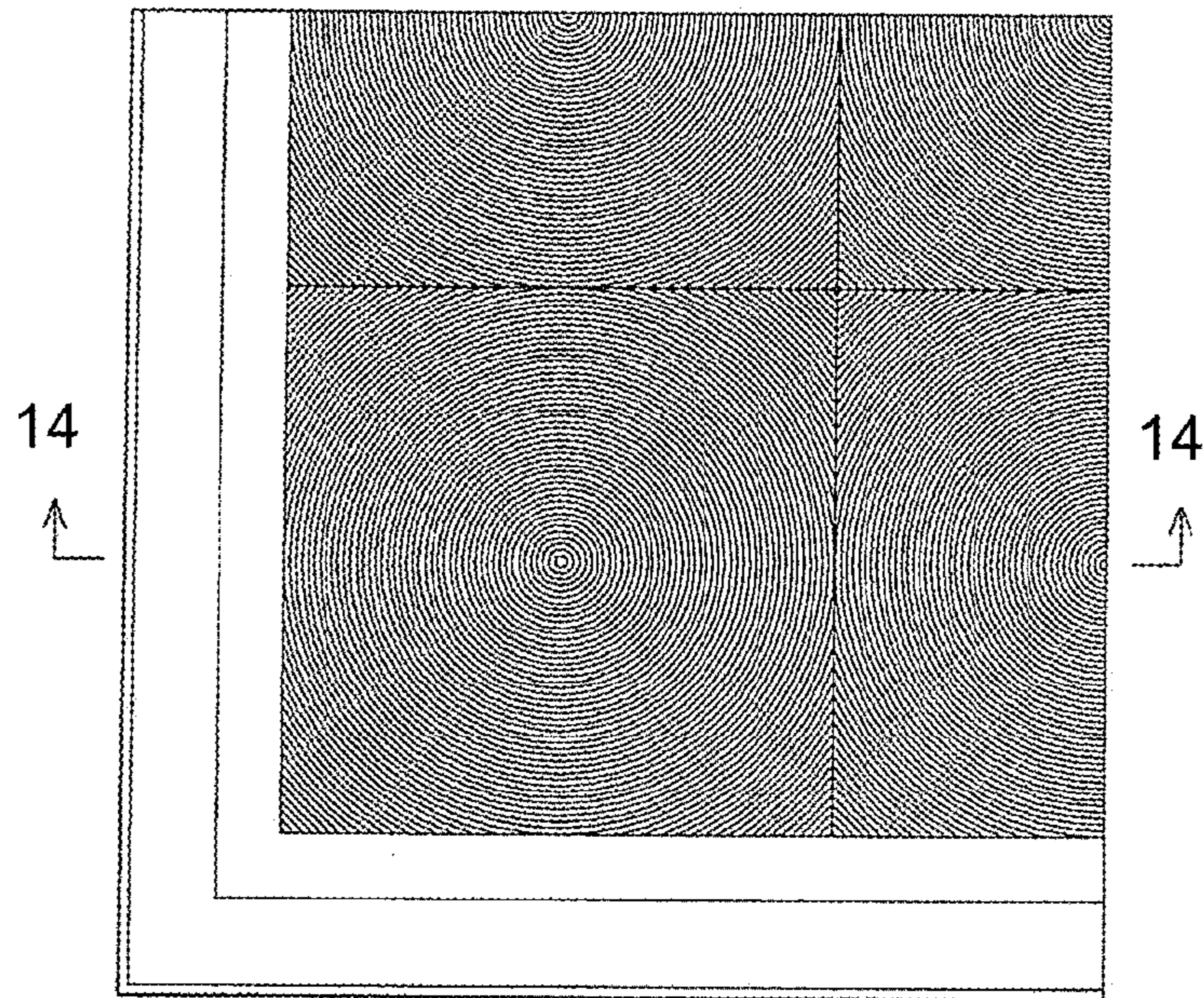


Fig. 14

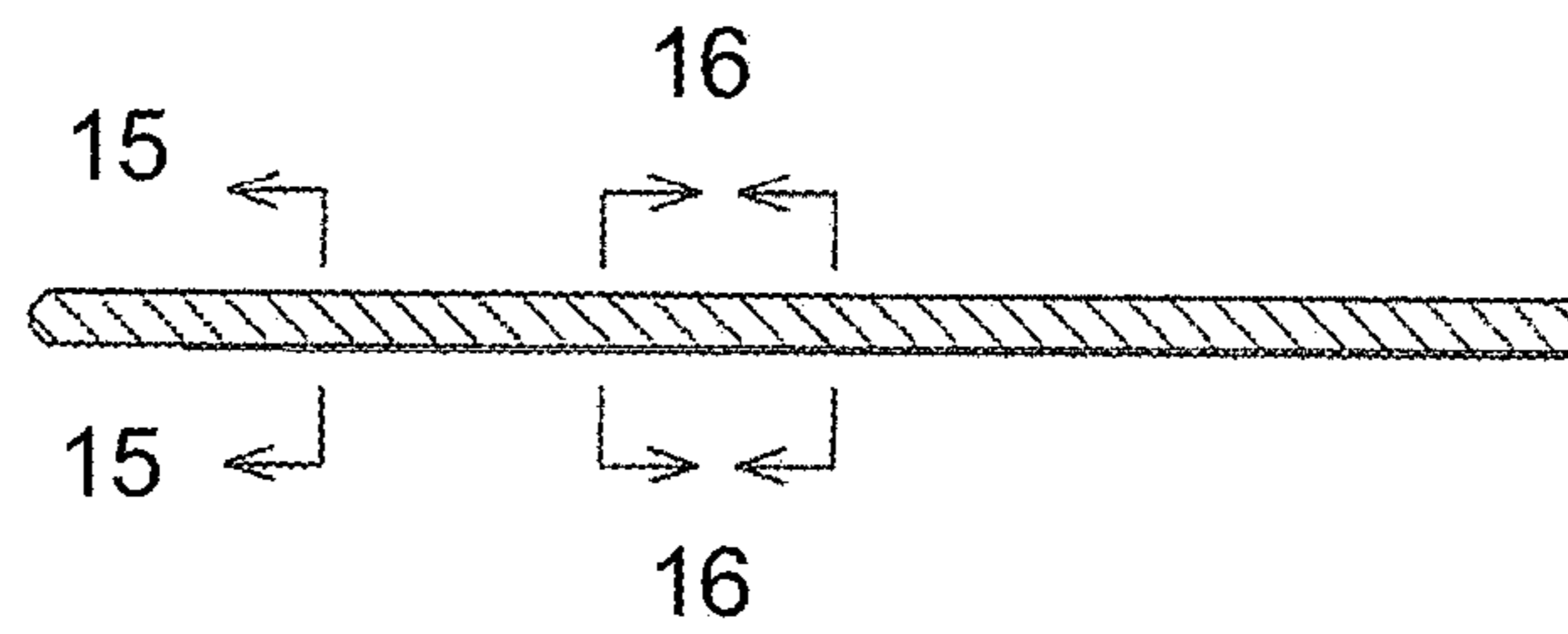


Fig. 15

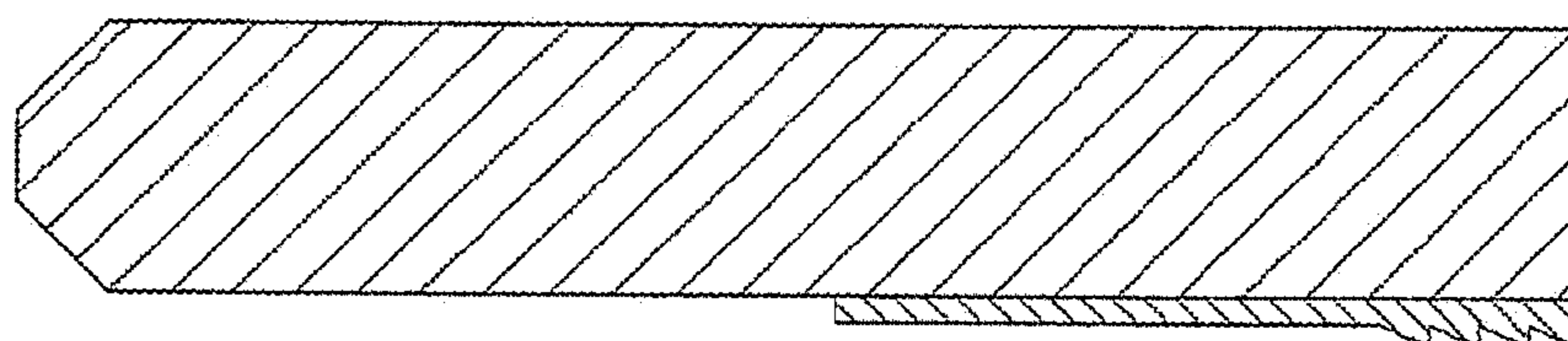


Fig. 16

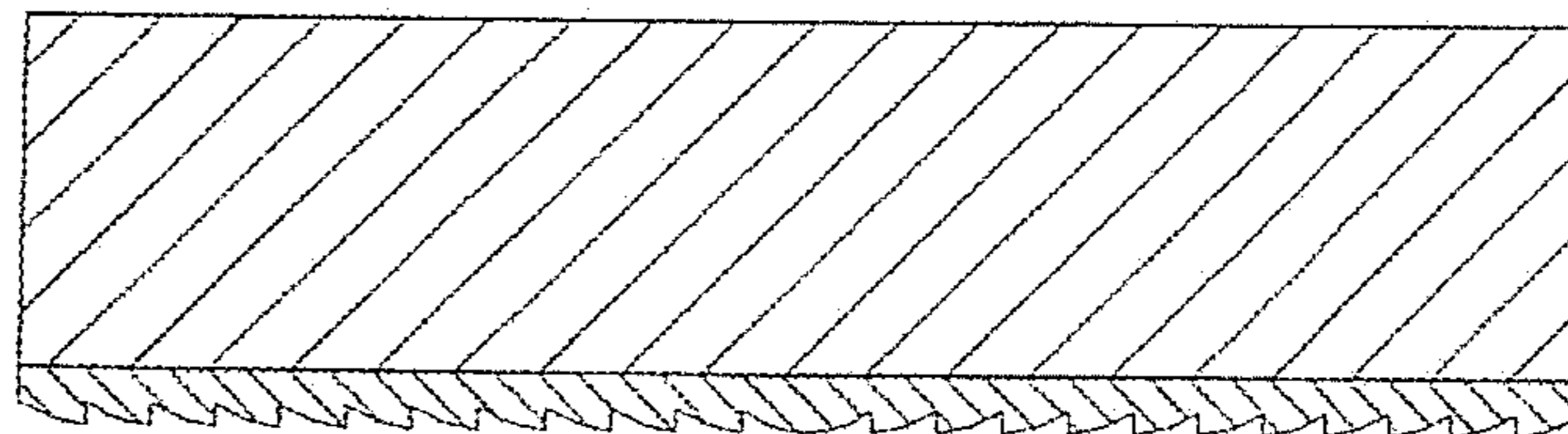


Fig. 17

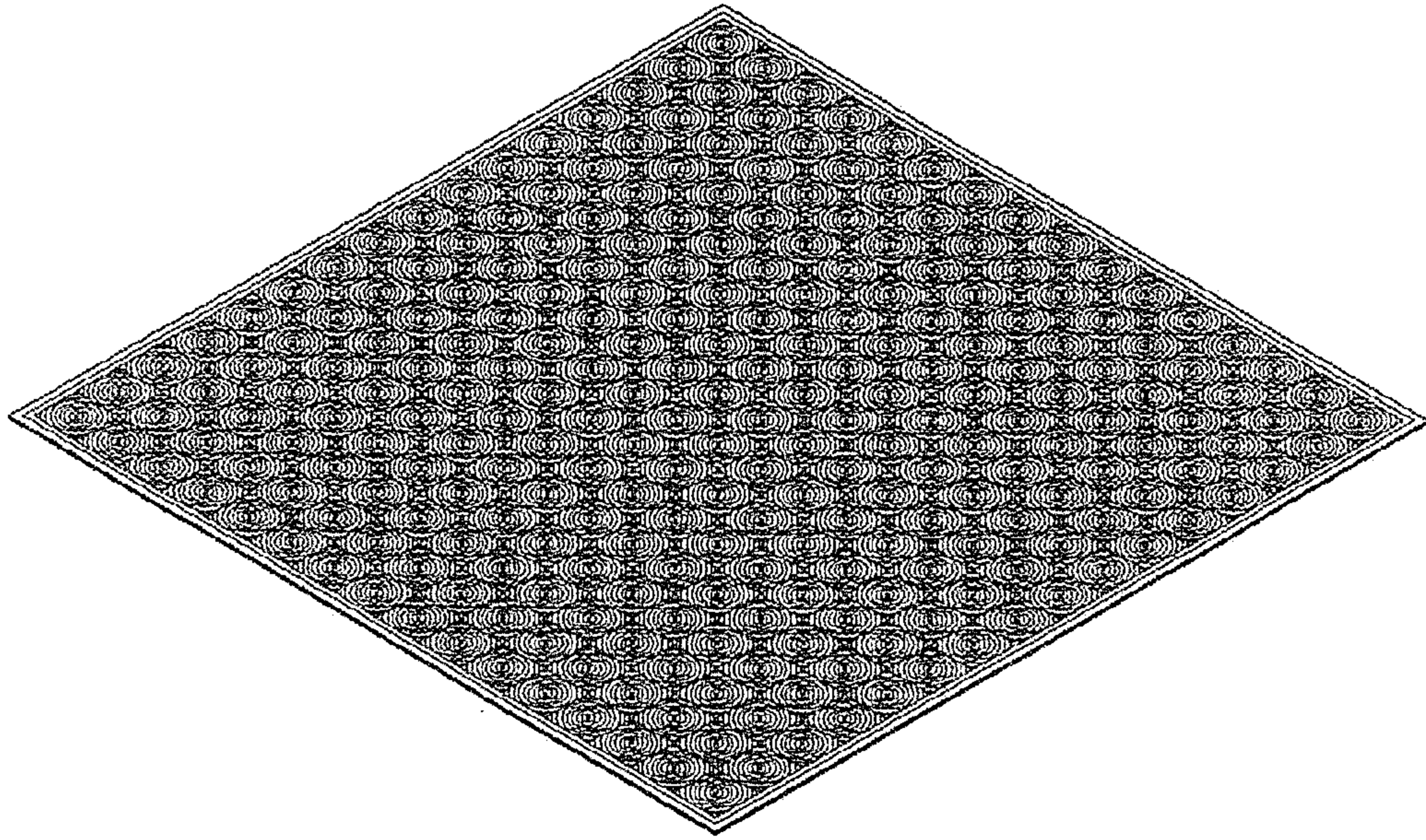


Fig. 18

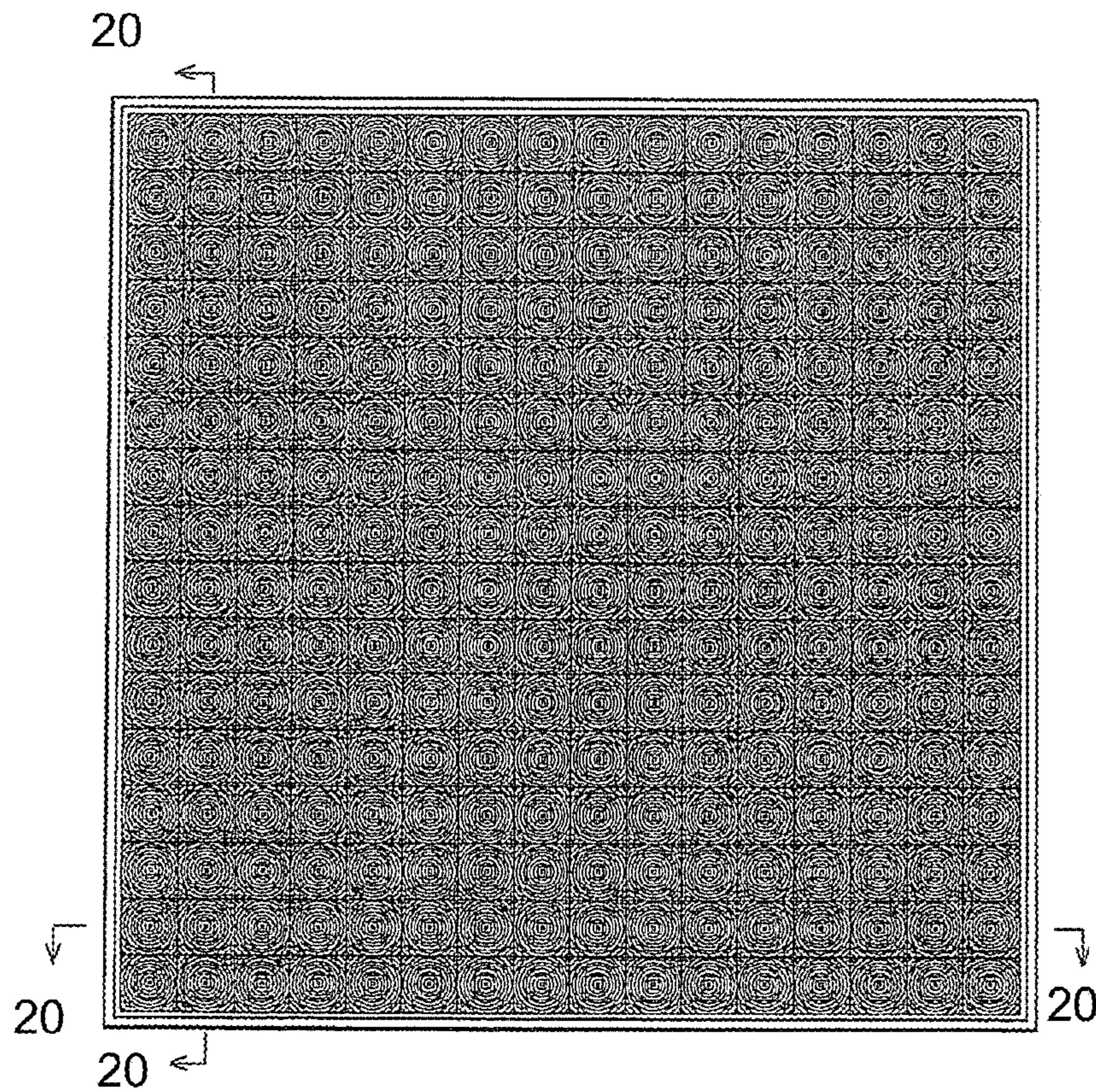


Fig. 19

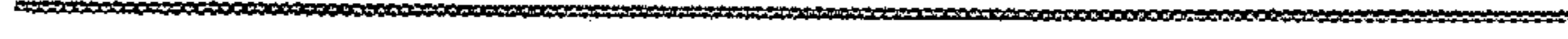


Fig. 20

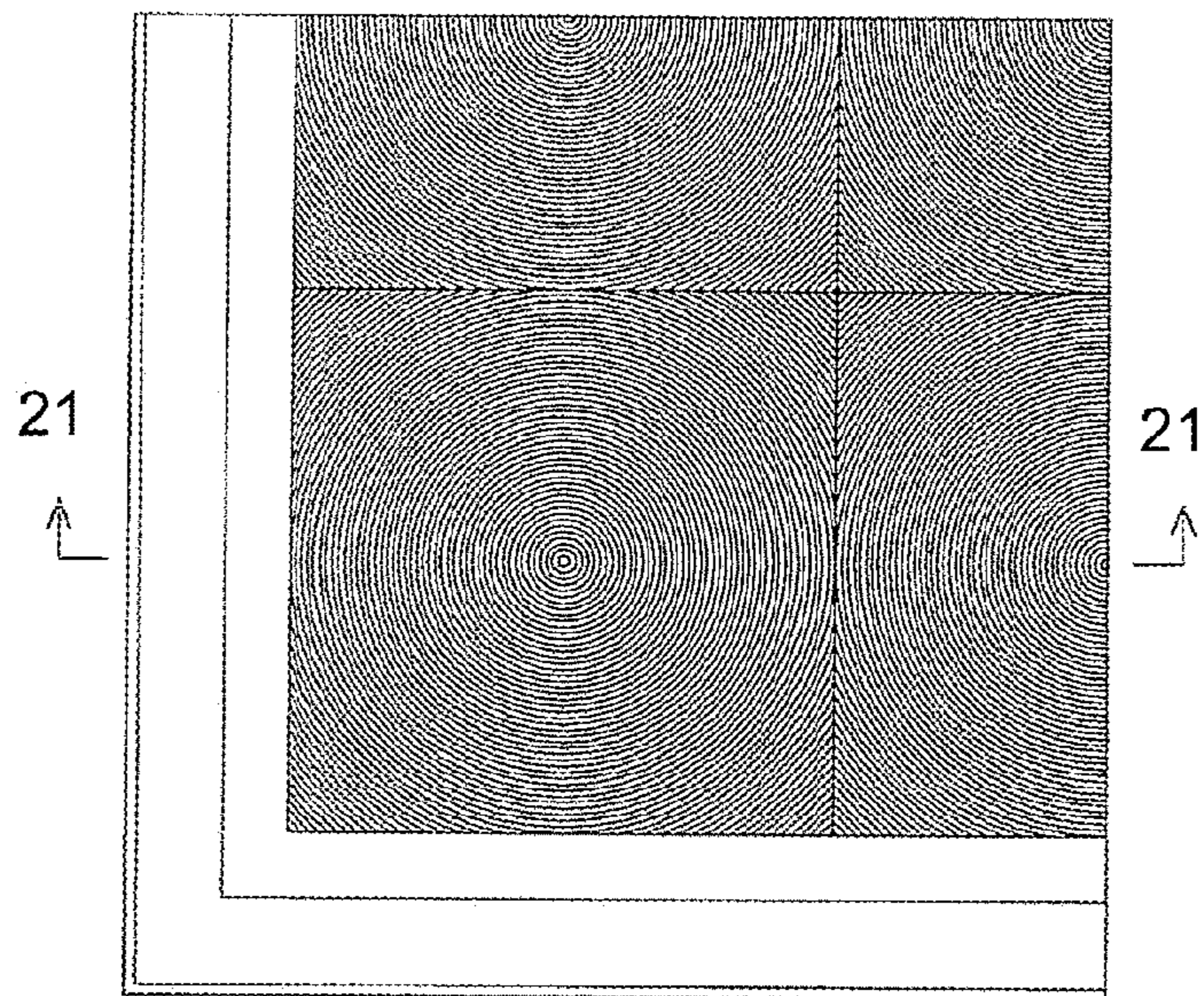


Fig. 21

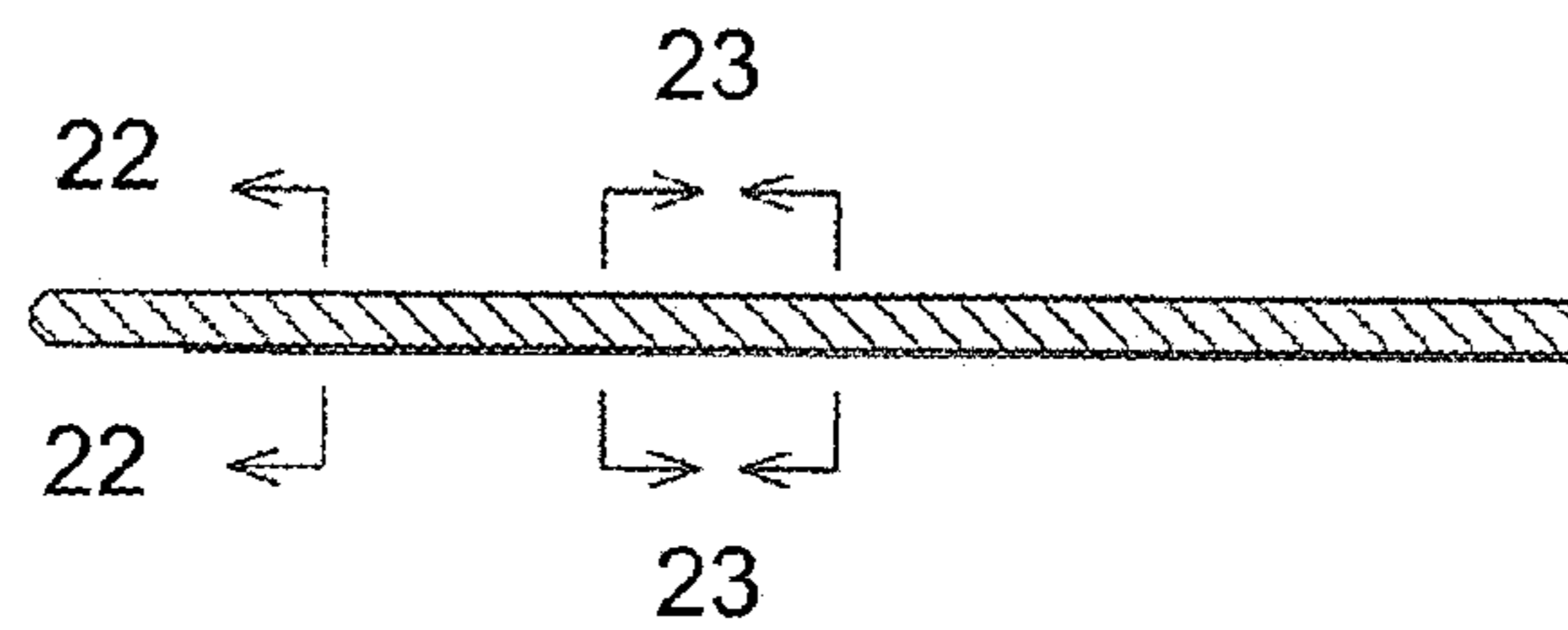


Fig. 22

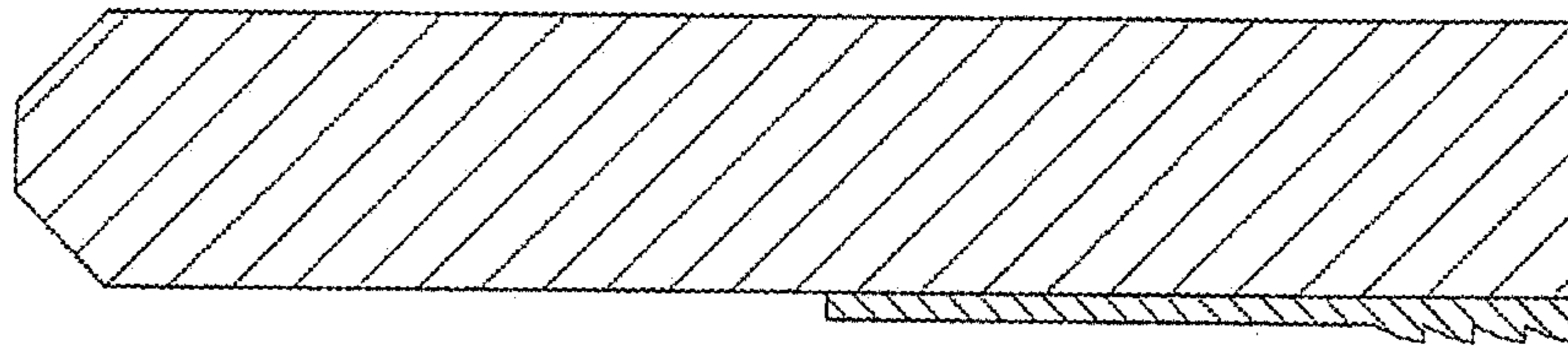


Fig. 23

