



US00D719901S

(12) **United States Design Patent**  
**Krusinski et al.**

(10) **Patent No.:** **US D719,901 S**  
(45) **Date of Patent:** **\*\* Dec. 23, 2014**

(54) **BIKE RACK FOR A VEHICLE**

(71) Applicant: **Cequent Consumer Products, Inc.**,  
Solon, OH (US)

(72) Inventors: **Scott Theodore Krusinski**, Hudson, OH  
(US); **Gail Suscheck Metcalfe**, Solon,  
OH (US)

(73) Assignee: **Cequent Consumer Products, Inc.**,  
Solon, OH (US)

(\*\*) Term: **14 Years**

(21) Appl. No.: **29/454,490**

(22) Filed: **May 10, 2013**

(51) **LOC (10) Cl.** ..... **12-16**

(52) **U.S. Cl.**  
USPC ..... **D12/408**

(58) **Field of Classification Search**  
USPC ..... D12/408, 407, 406, 414.1, 420, 115;  
224/403, 520, 532, 324, 501, 518, 533,  
224/492, 493, 495, 500, 924, 497, 502, 510,  
224/321, 329, 503, 523, 537, 513, 519, 314,  
224/318, 325, 326, 509, 315, 319, 309, 514,  
224/499, 516, 571, 572, 504, 323, 322;  
24/68 CD, 301; 211/20, 17, 4, 22, 5, 21,  
211/198, 200; 248/164; 362/549; D8/356;  
D6/716.3; 16/324, 329; 340/432, 5.9,  
340/543, 568.1; 194/205, 247, 902;  
235/381, 382; 70/233, 57, 235

See application file for complete search history.

5,056,700 A \* 10/1991 Blackburn et al. .... 224/324  
D329,035 S \* 9/1992 Blackburn et al. .... D12/408  
5,195,670 A \* 3/1993 Piretti et al. .... 224/321  
5,645,202 A \* 7/1997 Kaloustian ..... 224/314  
5,738,259 A \* 4/1998 Allen ..... 224/493  
D412,482 S \* 8/1999 Chen ..... D12/408  
6,000,593 A \* 12/1999 Chimenti ..... 224/504  
D447,997 S \* 9/2001 Ferman et al. .... D12/408  
6,345,748 B1 \* 2/2002 Chimenti et al. .... 224/324  
6,422,443 B1 \* 7/2002 Erickson et al. .... 224/532  
D630,573 S 1/2011 Pedrini  
D669,016 S \* 10/2012 Pozzi ..... D12/408  
D671,883 S \* 12/2012 Farber ..... D12/408  
2005/0258209 A1 \* 11/2005 Wang ..... 224/500  
2007/0023367 A1 \* 2/2007 Chung ..... 211/20  
2012/0091180 A1 4/2012 Allen et al.

\* cited by examiner

*Primary Examiner* — Eric Goodman  
*Assistant Examiner* — Ryan Harvey

(74) *Attorney, Agent, or Firm* — McDonald Hopkins LLC

(57) **CLAIM**  
The ornamental design for a bike rack for a vehicle, as shown  
and described.

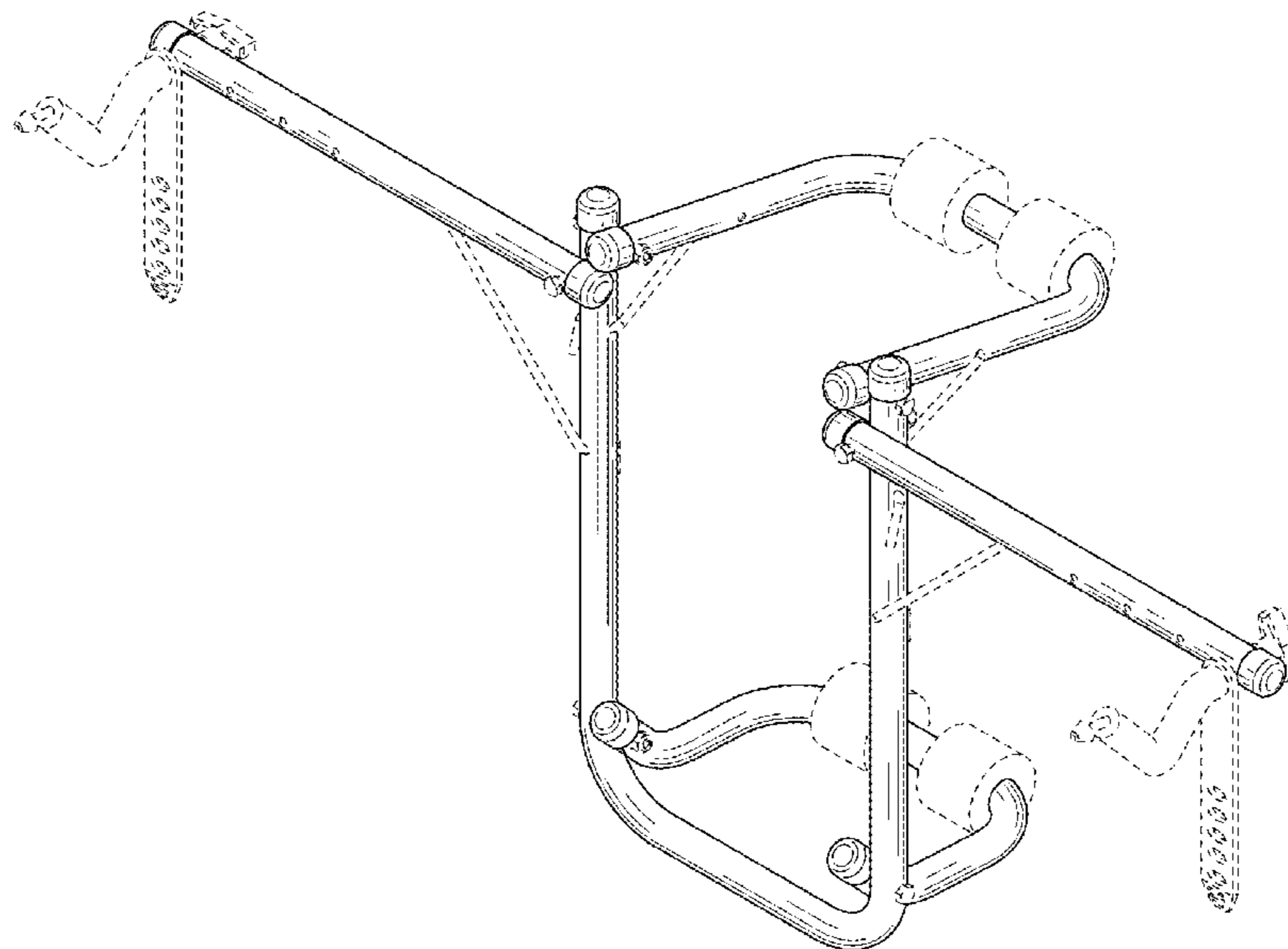
**DESCRIPTION**

FIG. 1 is a perspective view of a bike rack for a vehicle  
showing our new design;  
FIG. 2 is a front view thereof;  
FIG. 3 is a rear view thereof;  
FIG. 4 is a first side view thereof;  
FIG. 5 is a second side view thereof;  
FIG. 6 is a top view thereof; and,  
FIG. 7 is a bottom view thereof.  
The broken lines in the figures are included for the purpose of  
illustrating portions of a bike rack and form no part of the  
claimed design.

**1 Claim, 4 Drawing Sheets**

(56) **References Cited**  
U.S. PATENT DOCUMENTS

4,332,337 A \* 6/1982 Kosecoff ..... 224/493  
4,428,516 A \* 1/1984 Allen ..... 224/314



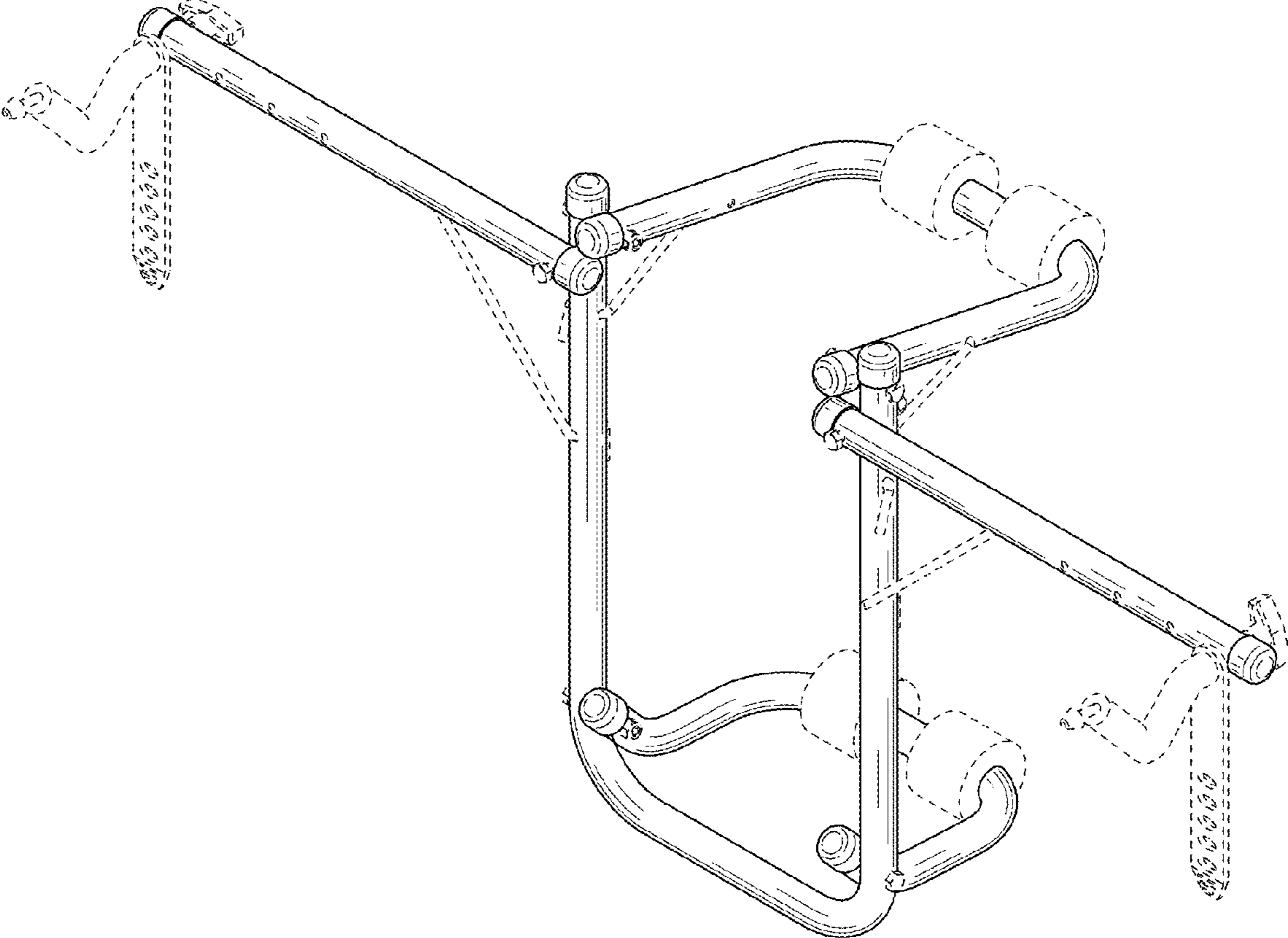


FIG. 1

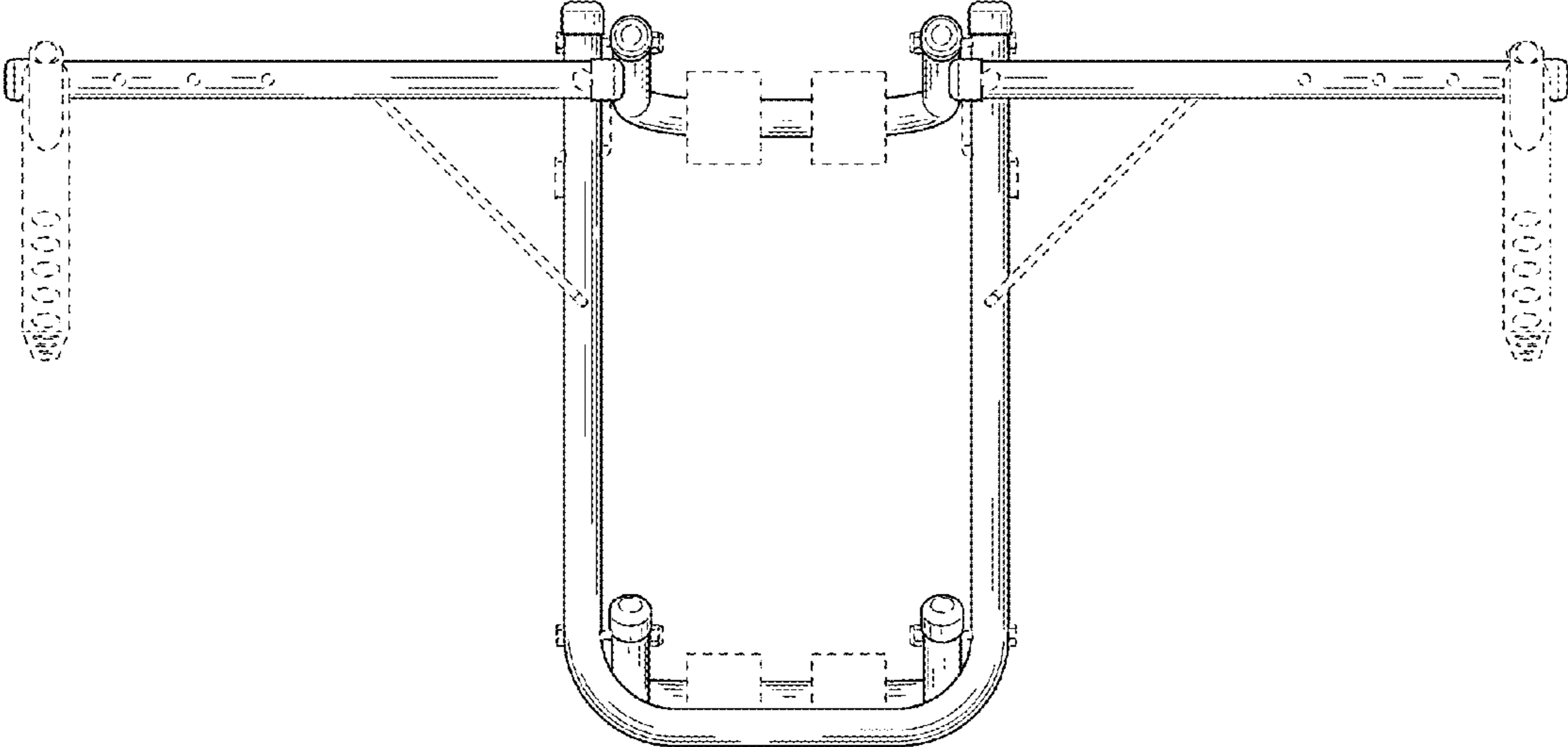


FIG. 2

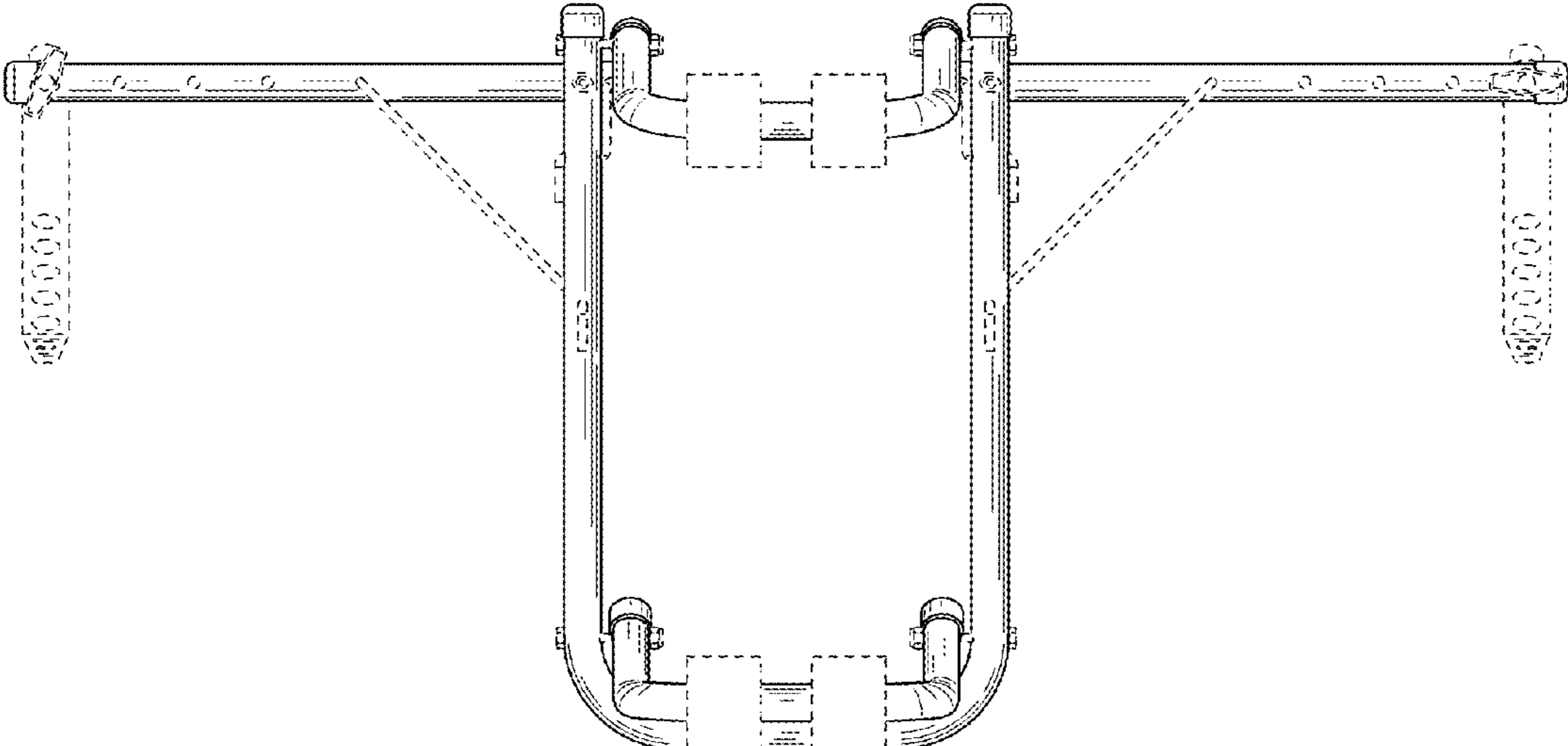


FIG. 3

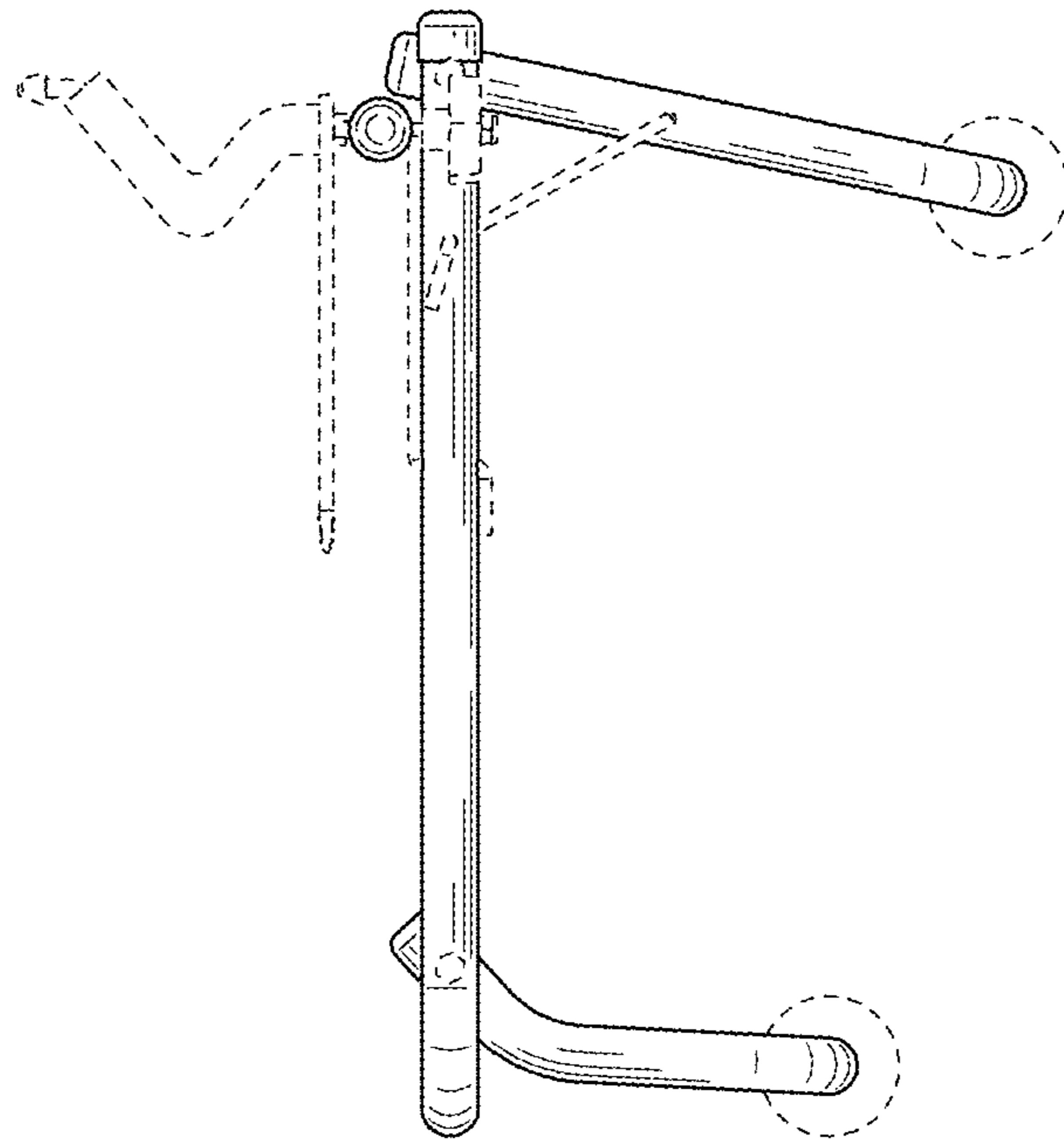


FIG. 4

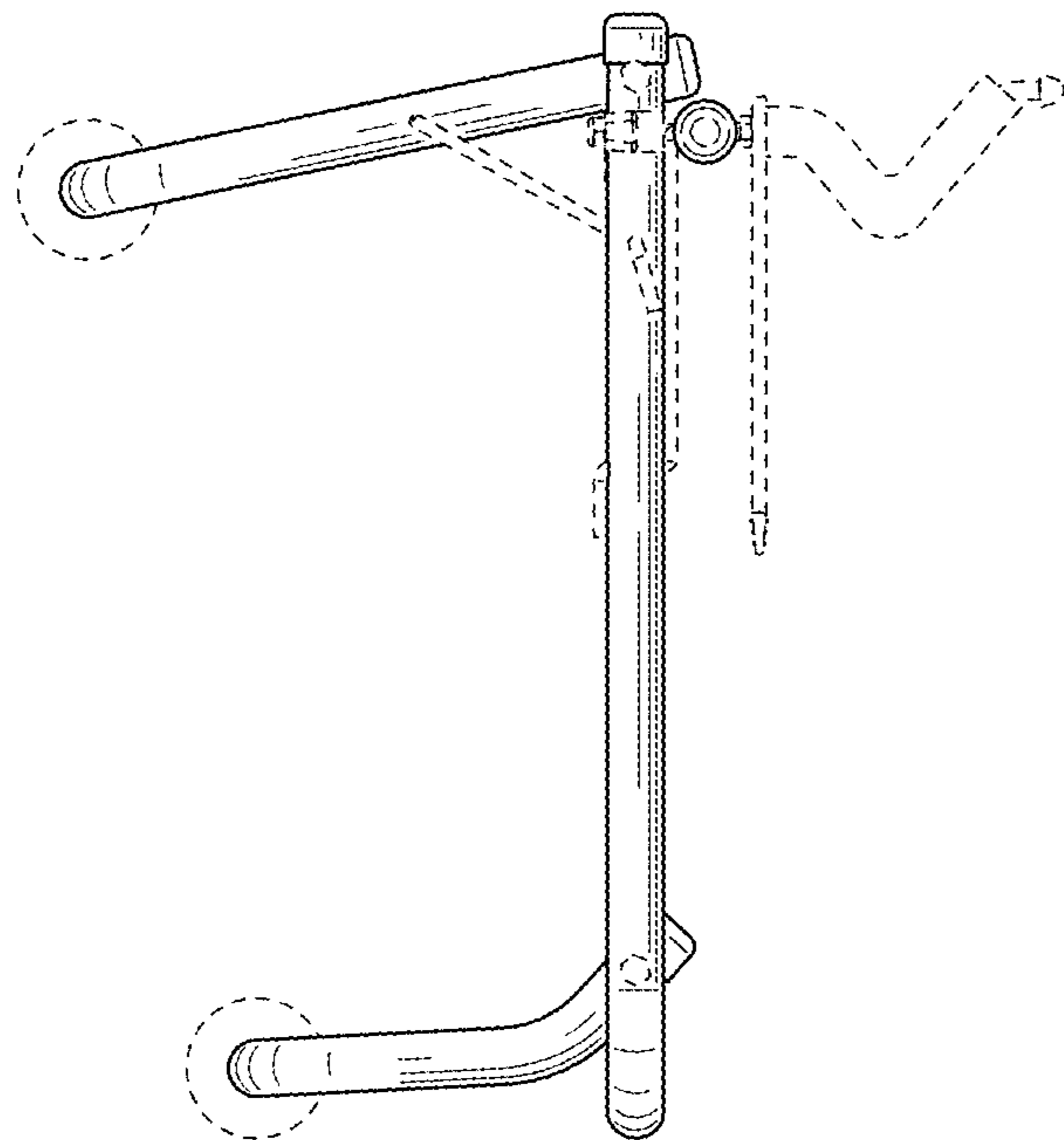


FIG. 5

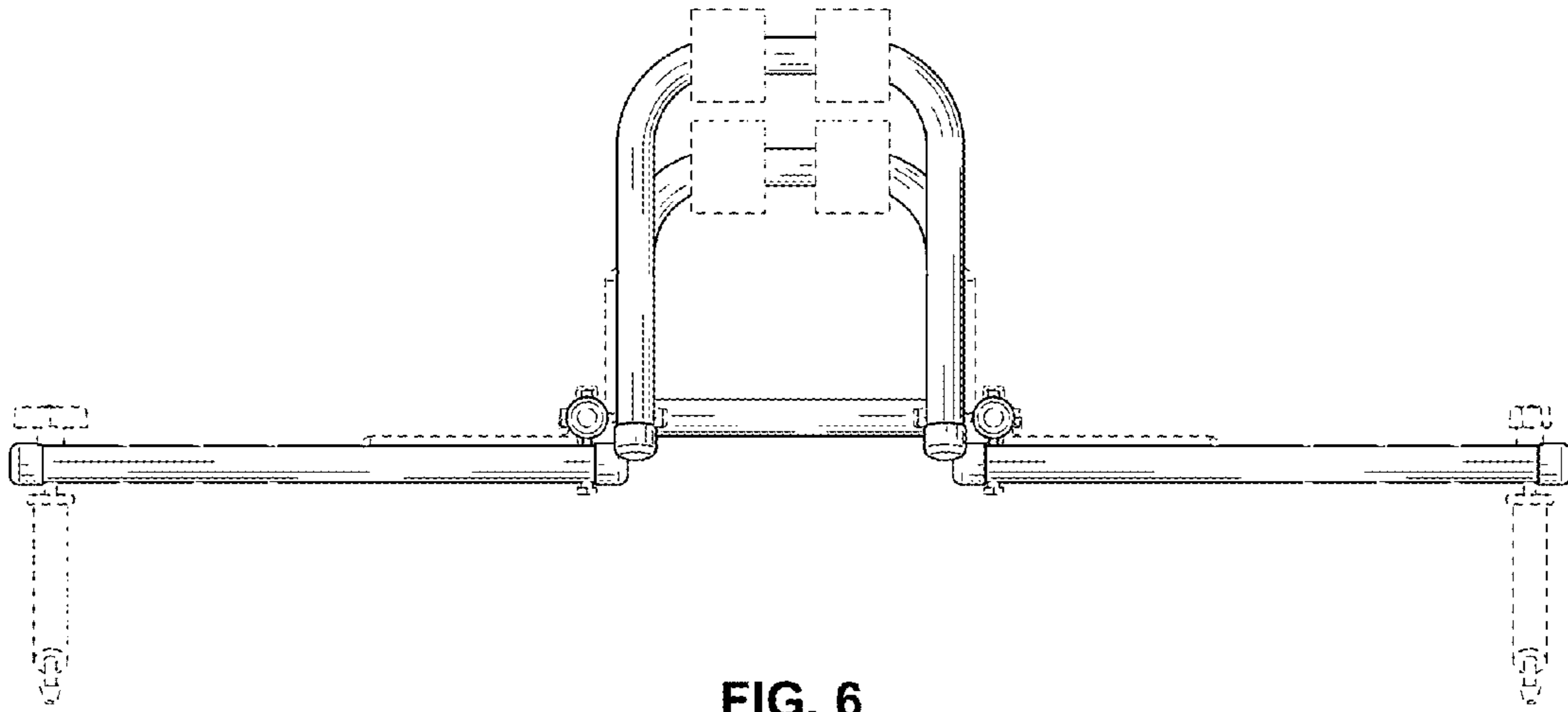


FIG. 6

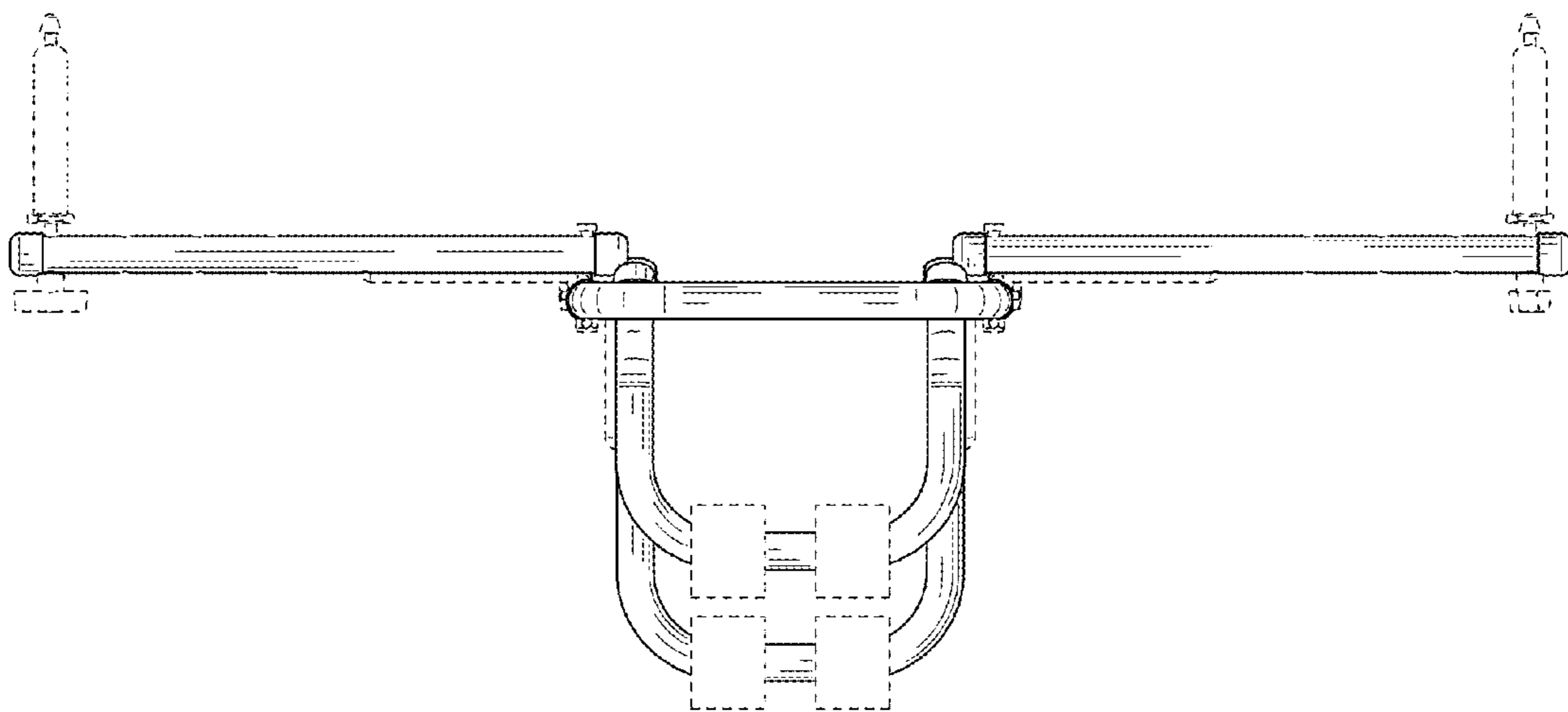


FIG. 7