



US00D719900S

(12) **United States Design Patent**
Snyder

(10) **Patent No.:** **US D719,900 S**

(45) **Date of Patent:** **** Dec. 23, 2014**

(54) **LOCKING LADDER RACK**

(71) Applicant: **Michael Snyder**, French Settlement, LA (US)

(72) Inventor: **Michael Snyder**, French Settlement, LA (US)

(**) Term: **14 Years**

(21) Appl. No.: **29/452,468**

(22) Filed: **Apr. 16, 2013**

Related U.S. Application Data

(63) Continuation of application No. 29/432,997, filed on Sep. 24, 2012, now Pat. No. Des. 683,298, which is a continuation of application No. 12/825,227, filed on Jun. 28, 2010, now abandoned.

(51) **LOC (10) Cl.** **12-16**

(52) **U.S. Cl.**
USPC **D12/406**

(58) **Field of Classification Search**
USPC D12/401-414; 280/814; 296/140;
224/309, 327, 328, 321, 401, 402, 488,
224/493, 315

See application file for complete search history.

(56) **References Cited**

U.S. PATENT DOCUMENTS

| | | | | |
|-----------|------|---------|-----------------|---------|
| 4,262,834 | A * | 4/1981 | Nutt | 224/324 |
| 5,186,588 | A * | 2/1993 | Sutton et al. | 410/120 |
| 5,398,778 | A * | 3/1995 | Sexton | 182/127 |
| D392,820 | S * | 3/1998 | Shanahan et al. | D6/468 |
| 6,290,113 | B1 * | 9/2001 | Plyler | 224/315 |
| 6,929,162 | B1 * | 8/2005 | Jordan | 224/282 |
| D529,373 | S * | 10/2006 | Hillman | D8/373 |
| 7,210,721 | B1 * | 5/2007 | Bell | 296/3 |
| D586,727 | S * | 2/2009 | Campana | D12/545 |
| D665,724 | S * | 8/2012 | Stoppi | D12/406 |

* cited by examiner

Primary Examiner — Katrina A Betton

(74) *Attorney, Agent, or Firm* — nolaIP, LLC; Neil Coig

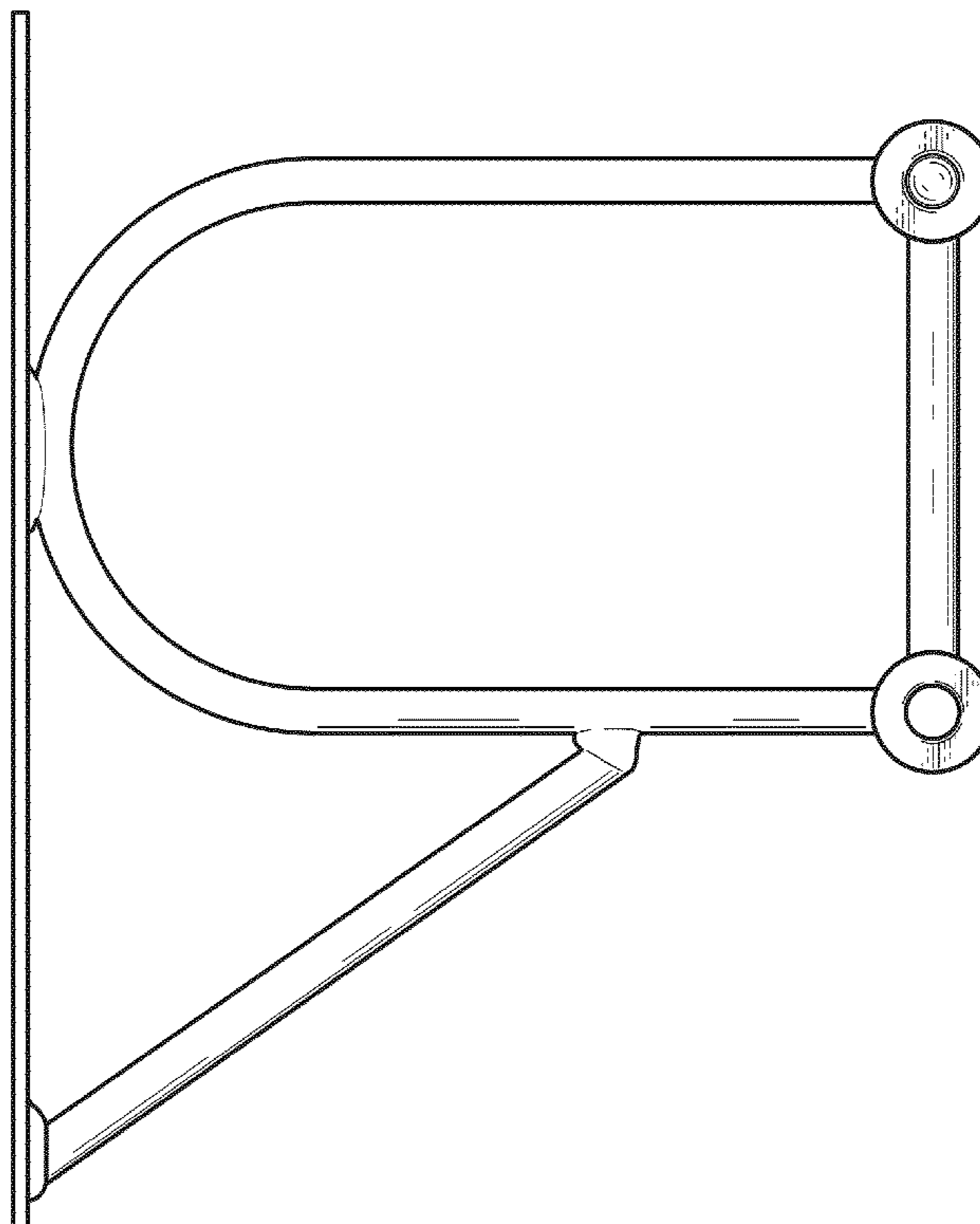
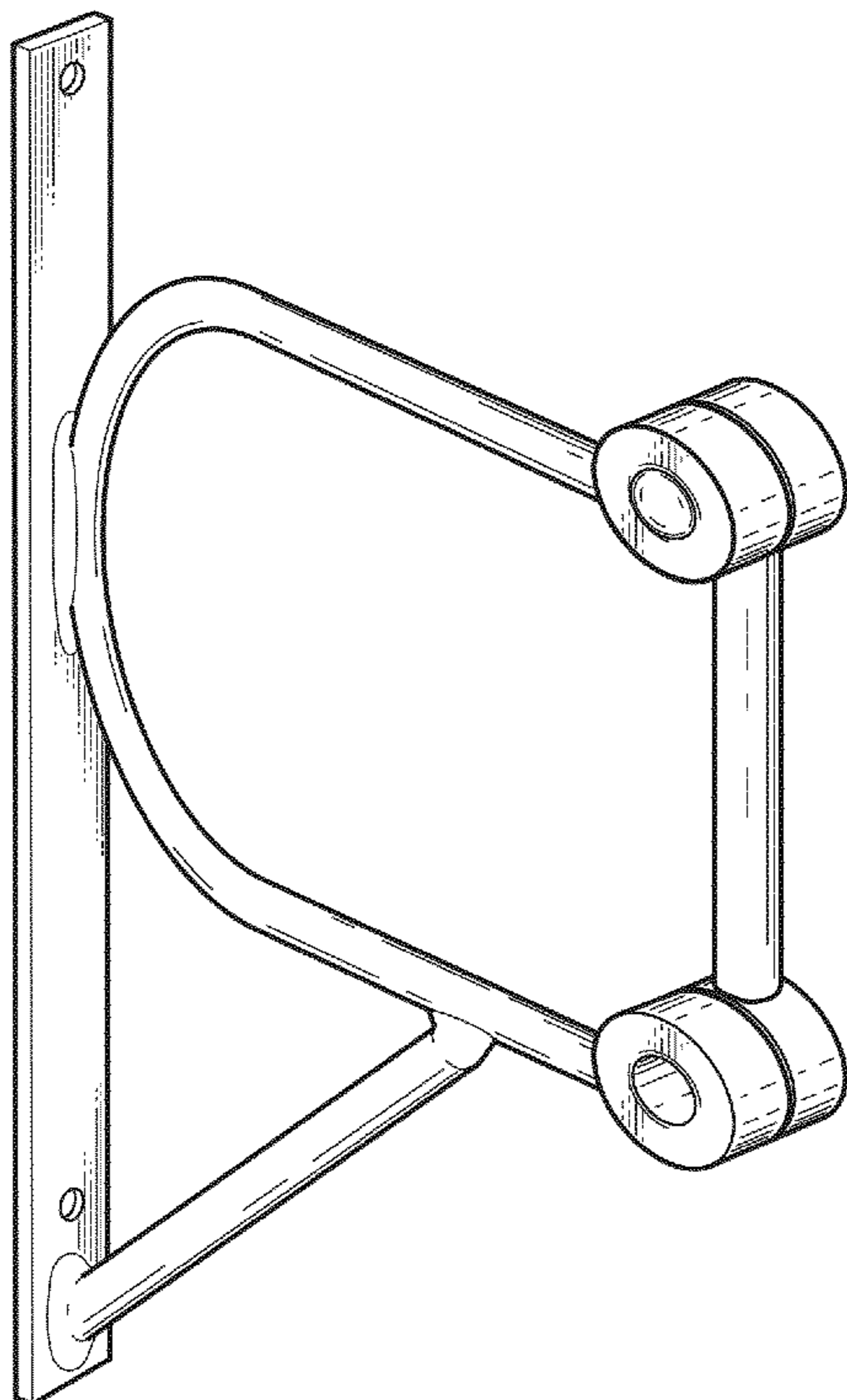
(57) **CLAIM**

The ornamental design for a locking ladder rack, as shown and described.

DESCRIPTION

FIG. 1 is a perspective view of the locking ladder rack. FIG. 2 is a left side view of the locking ladder rack. FIG. 3 is a right side view of the locking ladder rack. FIG. 4 is a rear view of the locking ladder rack. FIG. 5 is a top view of the locking ladder rack. FIG. 6 is a bottom view of the locking ladder rack; and, FIG. 7 is a front view of the locking ladder rack.

1 Claim, 3 Drawing Sheets



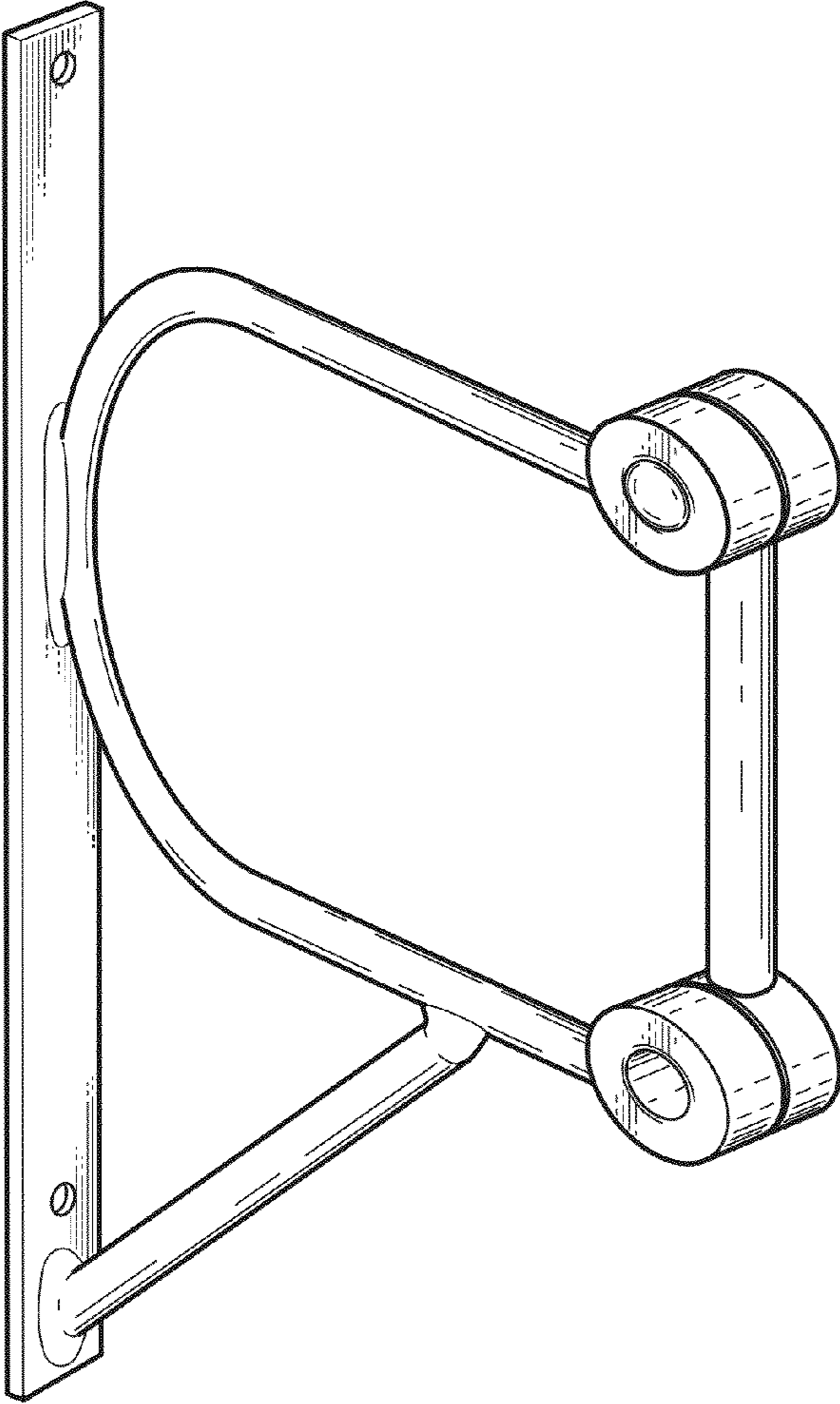


FIG. 1

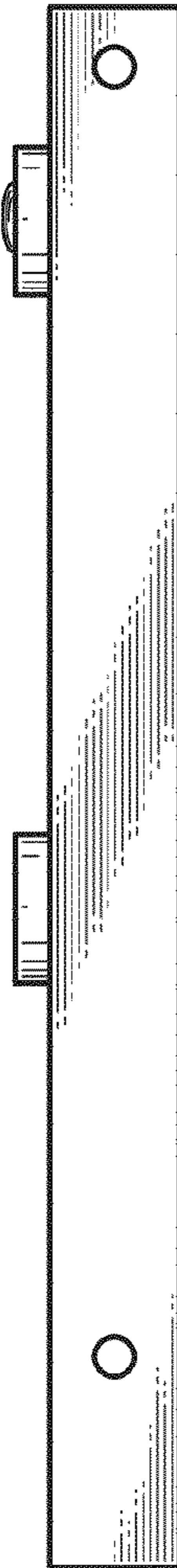


FIG. 2

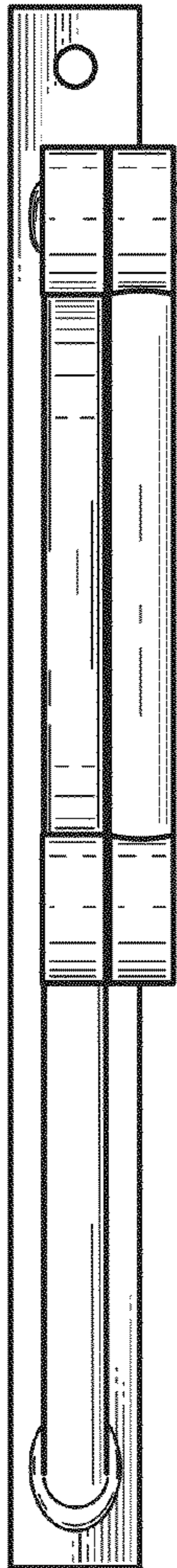


FIG. 3

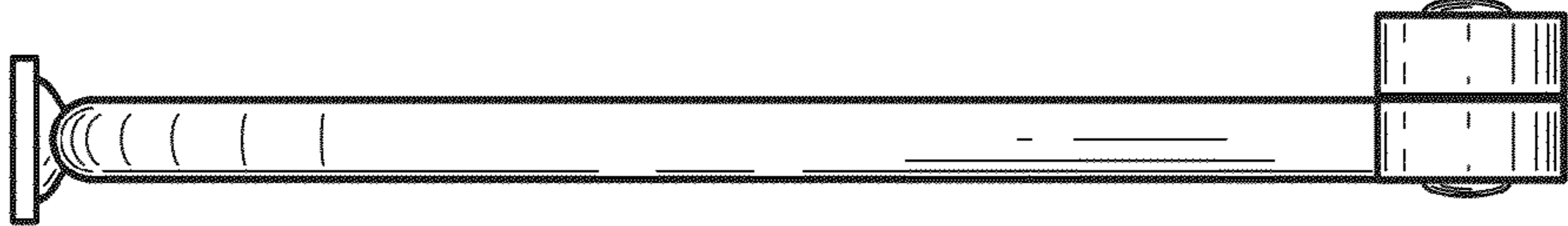


FIG. 4

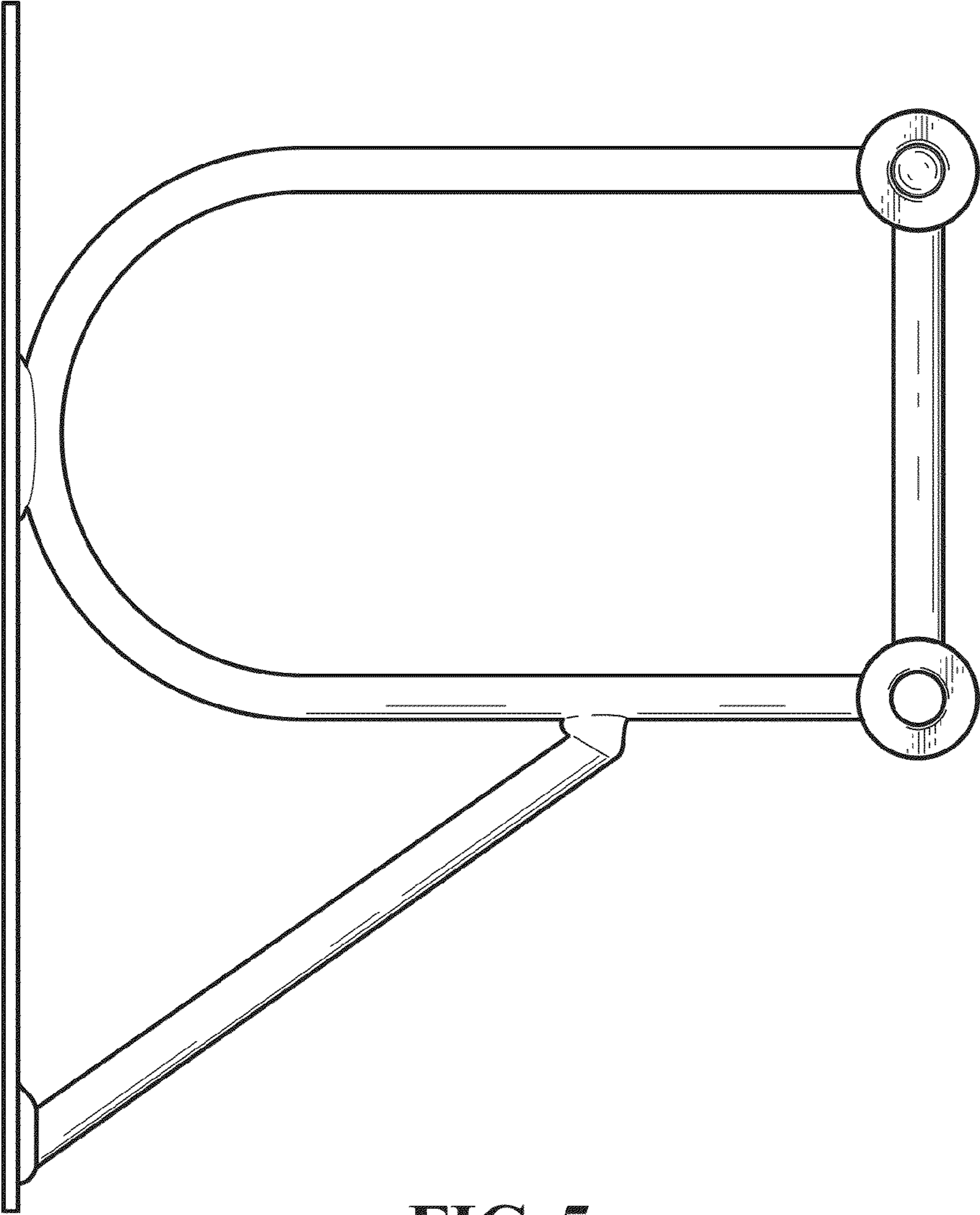


FIG. 5

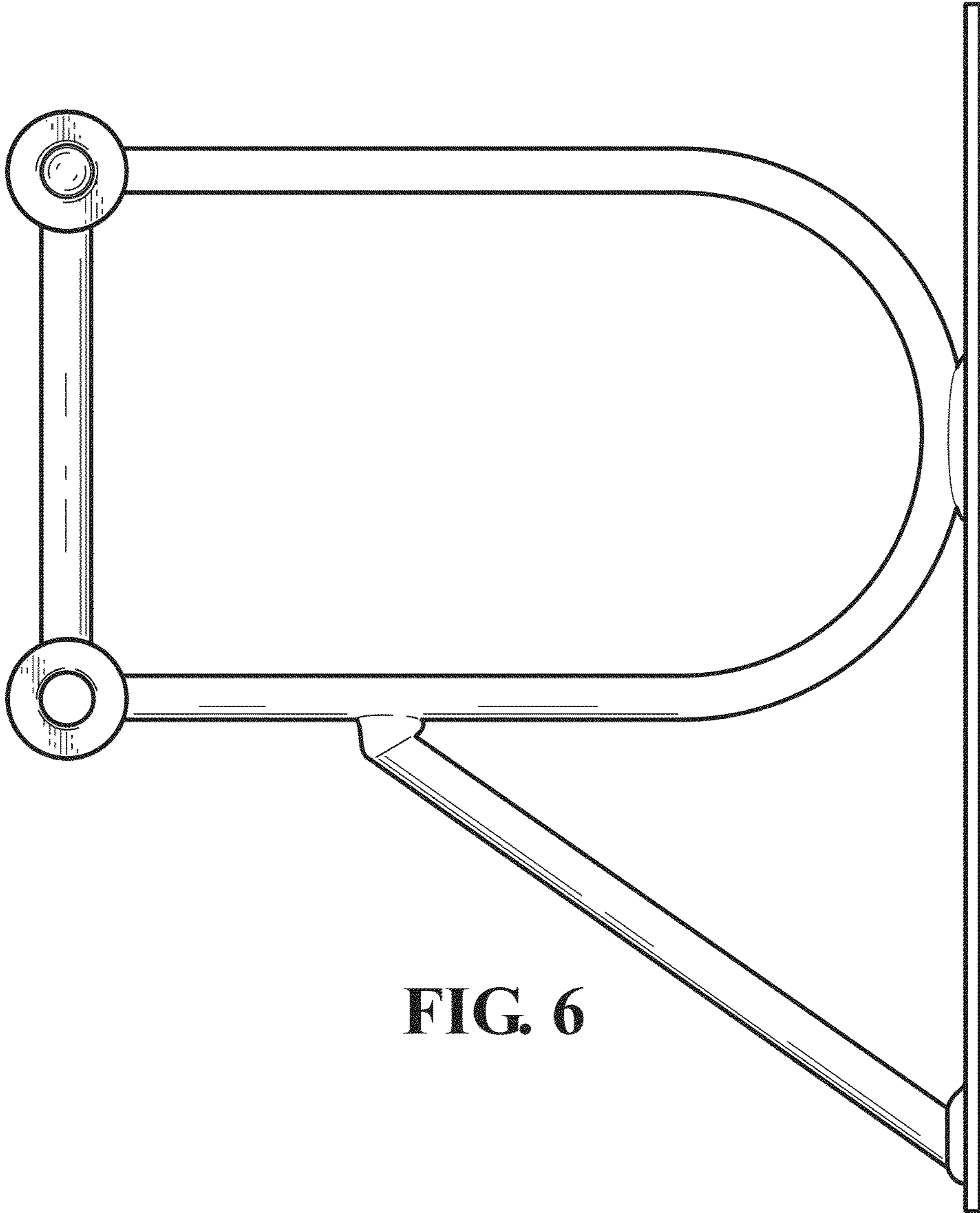


FIG. 6



FIG. 7