



US00D719899S

(12) **United States Design Patent**
Auerbach et al.

(10) **Patent No.:** **US D719,899 S**

(45) **Date of Patent:** **** Dec. 23, 2014**

(54) **FRONT CAP OF A RECREATIONAL VEHICLE**

(71) Applicant: **Monaco RV, LLC**, Decatur, IN (US)
(72) Inventors: **Mitchell Edward Auerbach**, Plainfield, IL (US); **Rudolph David Gonzalez**, Aurora, IL (US); **Benjamin Anthony Kuzmicz**, Naperville, IL (US); **Joseph Edwin Otto**, Cincinnati, OH (US); **Robert B. Riggs**, St. Charles, IL (US); **Robert Paul Scott**, Aurora, IL (US); **Jonathan Allen Wicks**, North Aurora, IL (US)

(73) Assignee: **Monaco RV, LLC**, Decatur, IN (US)

(**) Term: **14 Years**

(21) Appl. No.: **29/438,035**

(22) Filed: **Nov. 26, 2012**

(51) **LOC (10) Cl.** **12-16**

(52) **U.S. Cl.**
USPC **D12/400; D12/100**

(58) **Field of Classification Search**
CPC B62D 25/08; B62D 25/10; B62D 25/16; B62D 25/18; B62D 35/00; B62D 35/001; B62D 35/005; B62D 35/007
USPC D12/84, 89, 96, 97, 100, 196, 203, 314, D12/400; D28/36, 92; 280/5.3, 163, 164.2, 280/166, 169, 291; 296/156, 164, 166
See application file for complete search history.

(56) **References Cited**

U.S. PATENT DOCUMENTS

D338,642 S *	8/1993	Shea, Sr.	D12/100
D502,892 S *	3/2005	Miernik	D12/100
D619,049 S *	7/2010	Beigel et al.	D12/96
D623,091 S *	9/2010	Beigel et al.	D12/96
D623,092 S *	9/2010	Beigel et al.	D12/96
D634,244 S *	3/2011	Aris et al.	D12/96
D642,961 S *	8/2011	Beigel et al.	D12/96
D670,608 S	11/2012	Riggs	
D670,609 S	11/2012	Riggs	
D670,610 S	11/2012	Riggs	
D670,611 S	11/2012	Riggs	
D670,612 S	11/2012	Parkes	
D670,613 S	11/2012	Parkes	
D670,614 S	11/2012	Parkes	
D670,615 S	11/2012	Parkes	
D709,002 S *	7/2014	Ito et al.	D12/173
2009/0209168 A1 *	8/2009	Ejima	446/93

* cited by examiner

Primary Examiner — Deanna L Pratt

Assistant Examiner — Natasha Vujcic

(74) *Attorney, Agent, or Firm* — Hovey Williams LLP

(57) **CLAIM**

The ornamental design for a front cap of a recreational vehicle, as shown and described.

DESCRIPTION

FIG. 1 is a FRONT AND LEFT SIDE PERSPECTIVE view of a front cap of a recreational vehicle showing our new design;

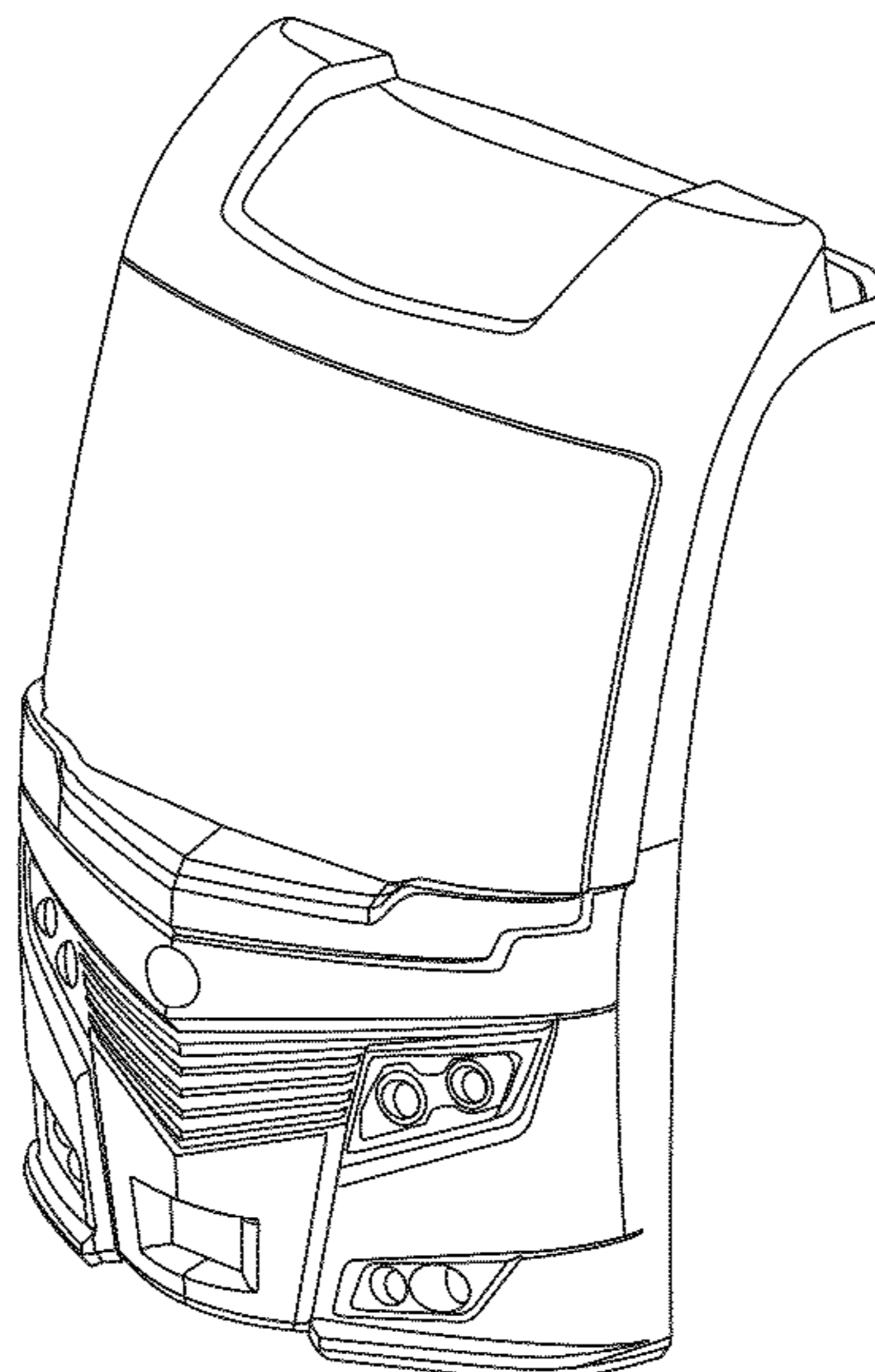
FIG. 2 is a TOP PLAN view thereof;

FIG. 3 is a FRONT SIDE ELEVATION view thereof;

FIG. 4 is a LEFT SIDE ELEVATION view thereof; and,

FIG. 5 is a RIGHT SIDE ELEVATION view thereof.

1 Claim, 3 Drawing Sheets



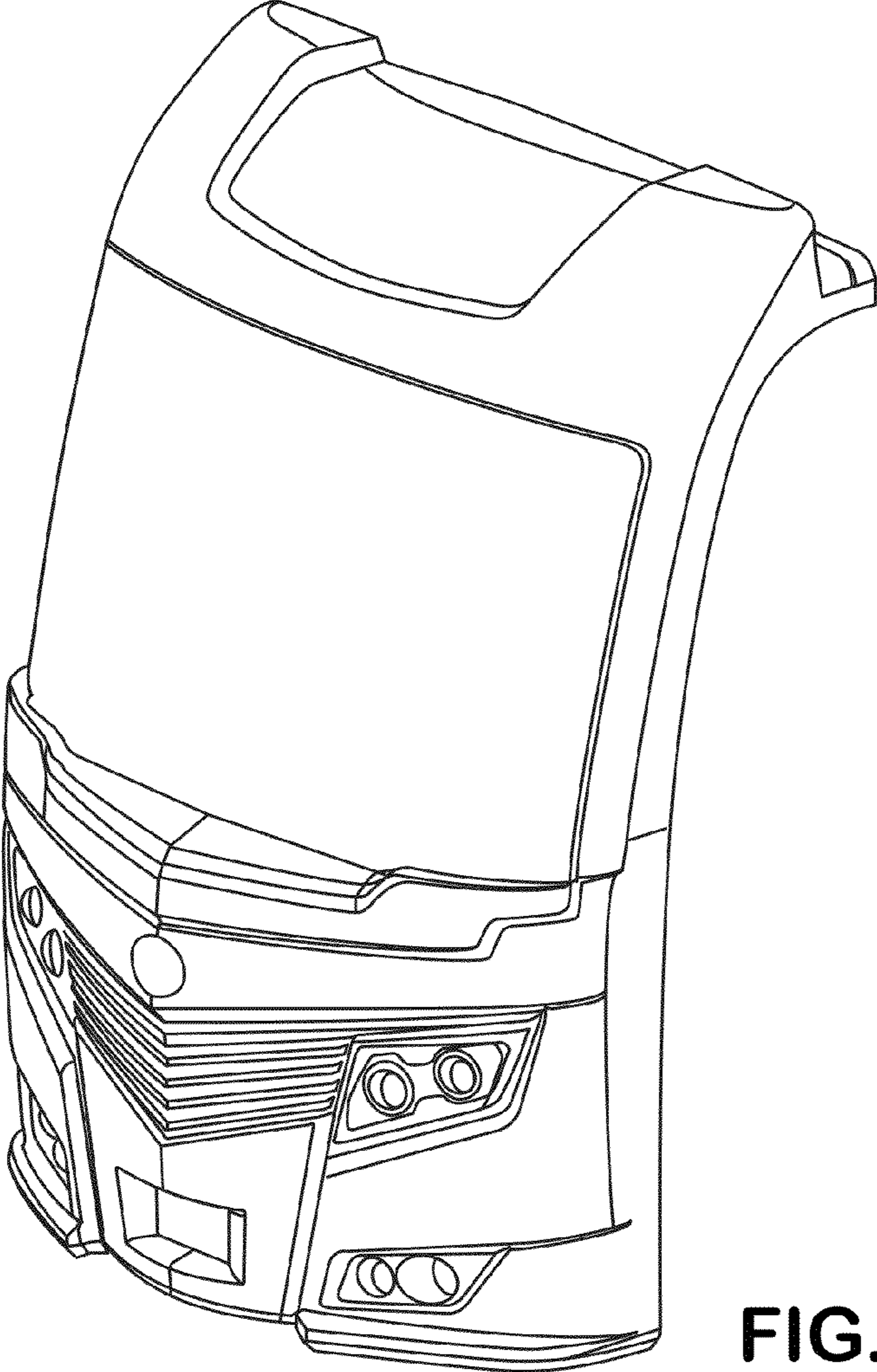


FIG. 1

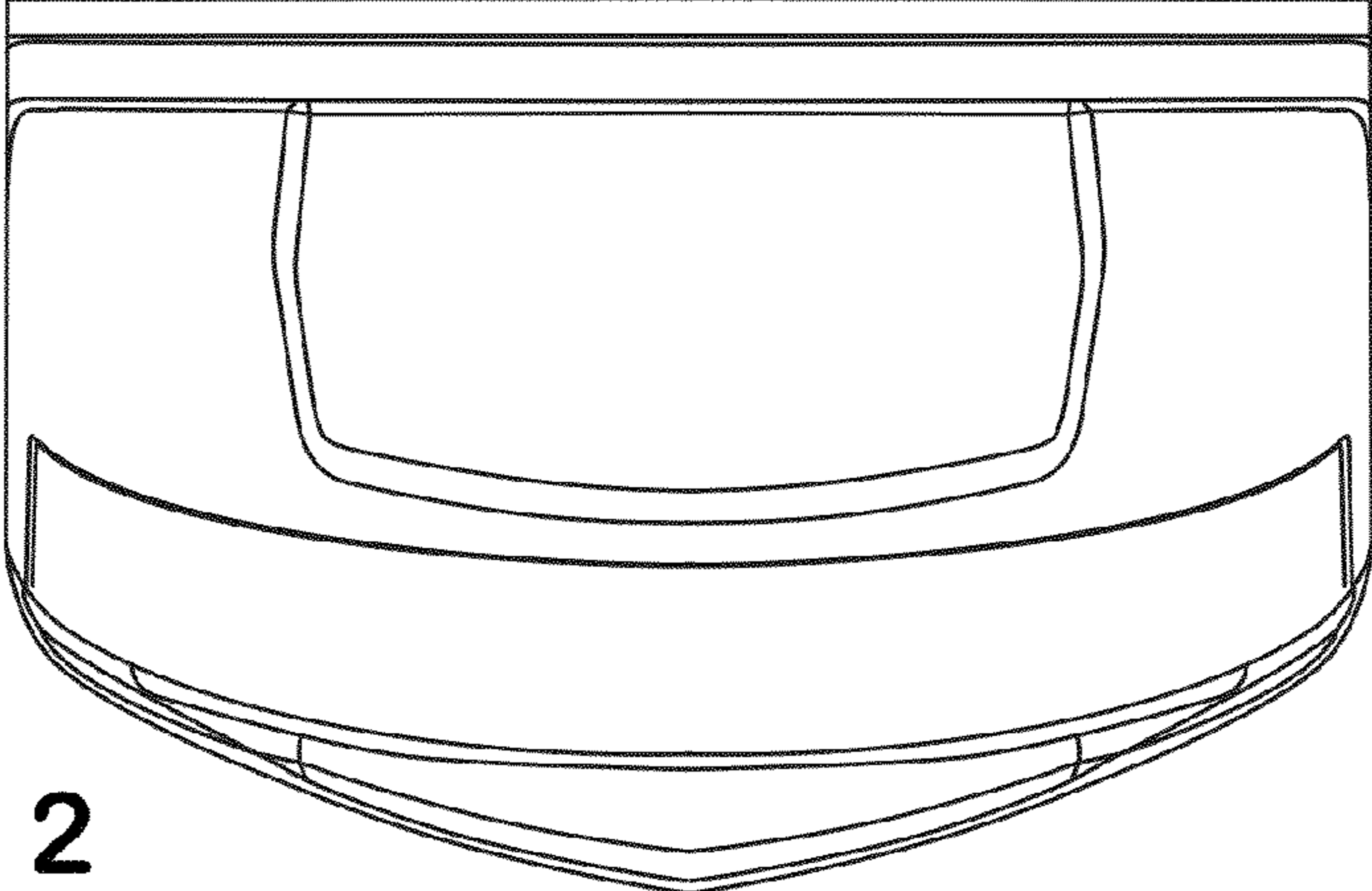


FIG. 2

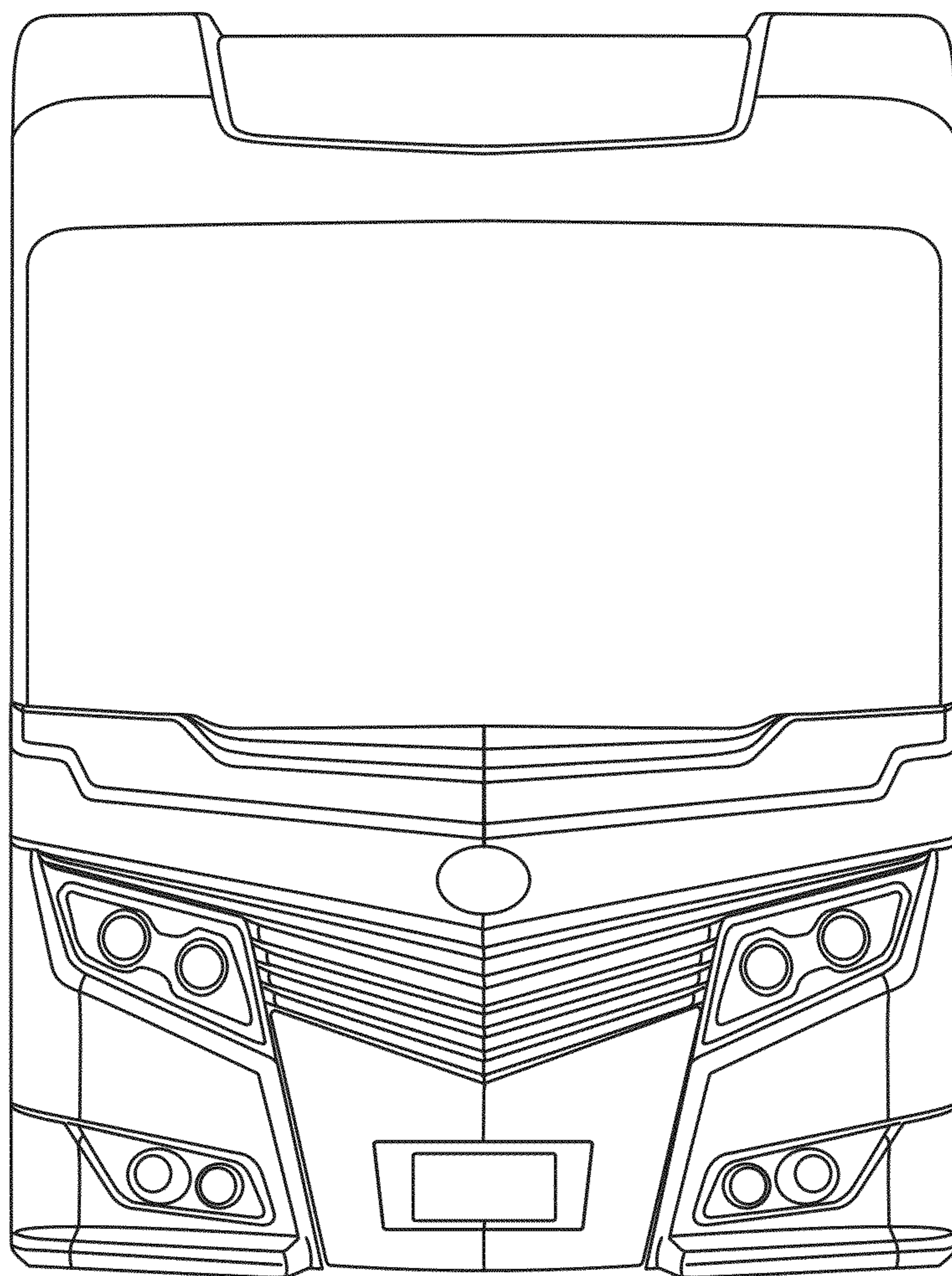


FIG. 3

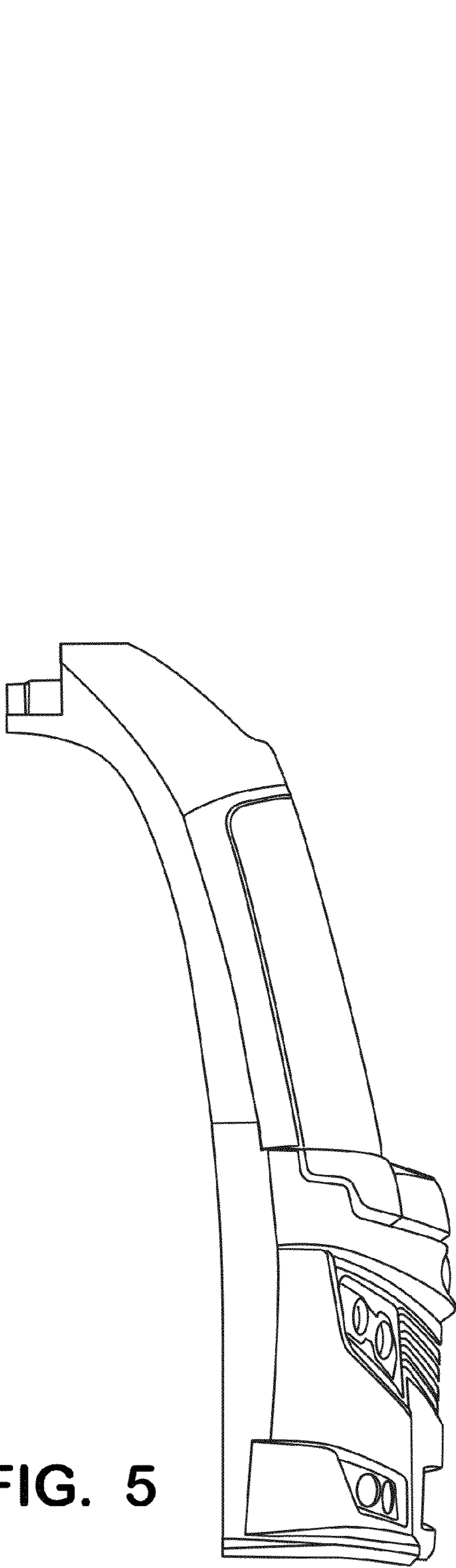


FIG. 5

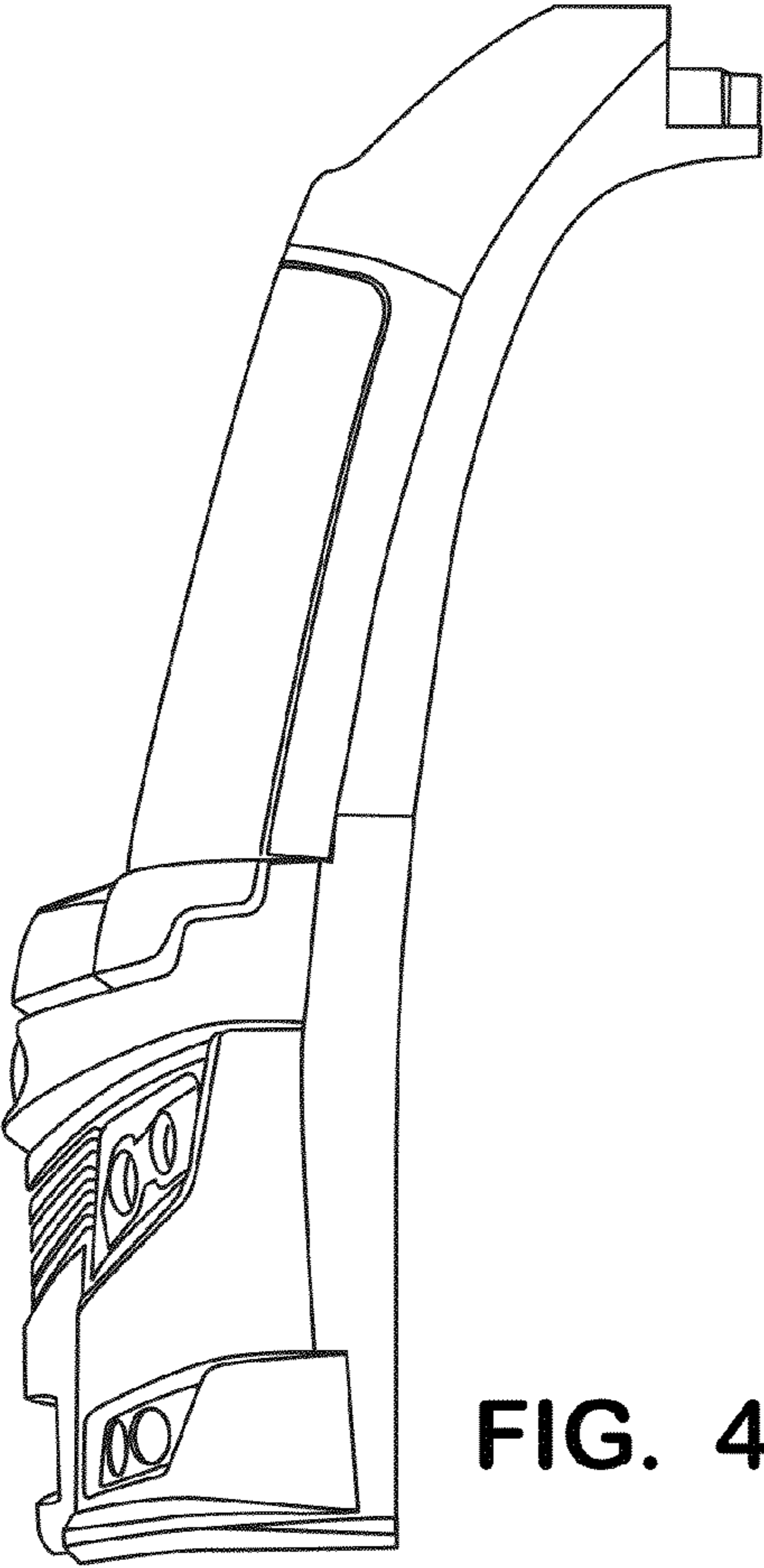


FIG. 4