



US00D719891S

(12) **United States Design Patent**
Johnson

(10) **Patent No.:** **US D719,891 S**

(45) **Date of Patent:** **** Dec. 23, 2014**

(54) **AUTOMOTIVE WHEEL**

(71) Applicant: **Kelly R. Johnson**, City of Industry, CA (US)

(72) Inventor: **Kelly R. Johnson**, City of Industry, CA (US)

(73) Assignee: **The Wheel Group**, City of Industry, CA (US)

(**) Term: **14 Years**

(21) Appl. No.: **29/474,359**

(22) Filed: **Aug. 19, 2014**

(51) **LOC (10) Cl.** **12-16**

(52) **U.S. Cl.**
USPC **D12/209**

(58) **Field of Classification Search**
CPC B60B 7/00; B60B 7/02; B60B 7/04;
B60B 7/01; B60B 7/06; B60B 3/02; B60B
3/04; B60B 3/06; B60B 3/10; B60B 1/00;
B60B 1/08; B60B 1/10; B60B 1/12
USPC D12/204-213
See application file for complete search history.

(56) **References Cited**

U.S. PATENT DOCUMENTS

D374,420 S * 10/1996 Neeper D12/209
D392,239 S * 3/1998 Cullen D12/211

D399,180 S * 10/1998 Neeper D12/209
D402,613 S * 12/1998 Neeper D12/209
D415,991 S * 11/1999 Wang D12/211
D433,985 S * 11/2000 Pfeiffer D12/209
D440,199 S * 4/2001 Donikoglu D12/209
D450,288 S * 11/2001 Lee D12/209
D475,006 S * 5/2003 Yoshida D12/209
D507,220 S * 7/2005 Lucaora D12/209
D508,007 S * 8/2005 Koch D12/211
D519,900 S * 5/2006 Francis D12/209
D567,166 S * 4/2008 Bogani D12/209
D577,322 S * 9/2008 Scheu D12/209
D619,071 S * 7/2010 Christensen et al. D12/211
D669,007 S * 10/2012 Starr, Jr. D12/209
D697,012 S * 1/2014 Starr, Jr. D12/209
D700,668 S * 3/2014 Flick et al. D12/209
D707,165 S * 6/2014 Wheel D12/209

* cited by examiner

Primary Examiner — Stacia Cadmus

(57) **CLAIM**

The ornamental design for an automotive wheel, as show and described.

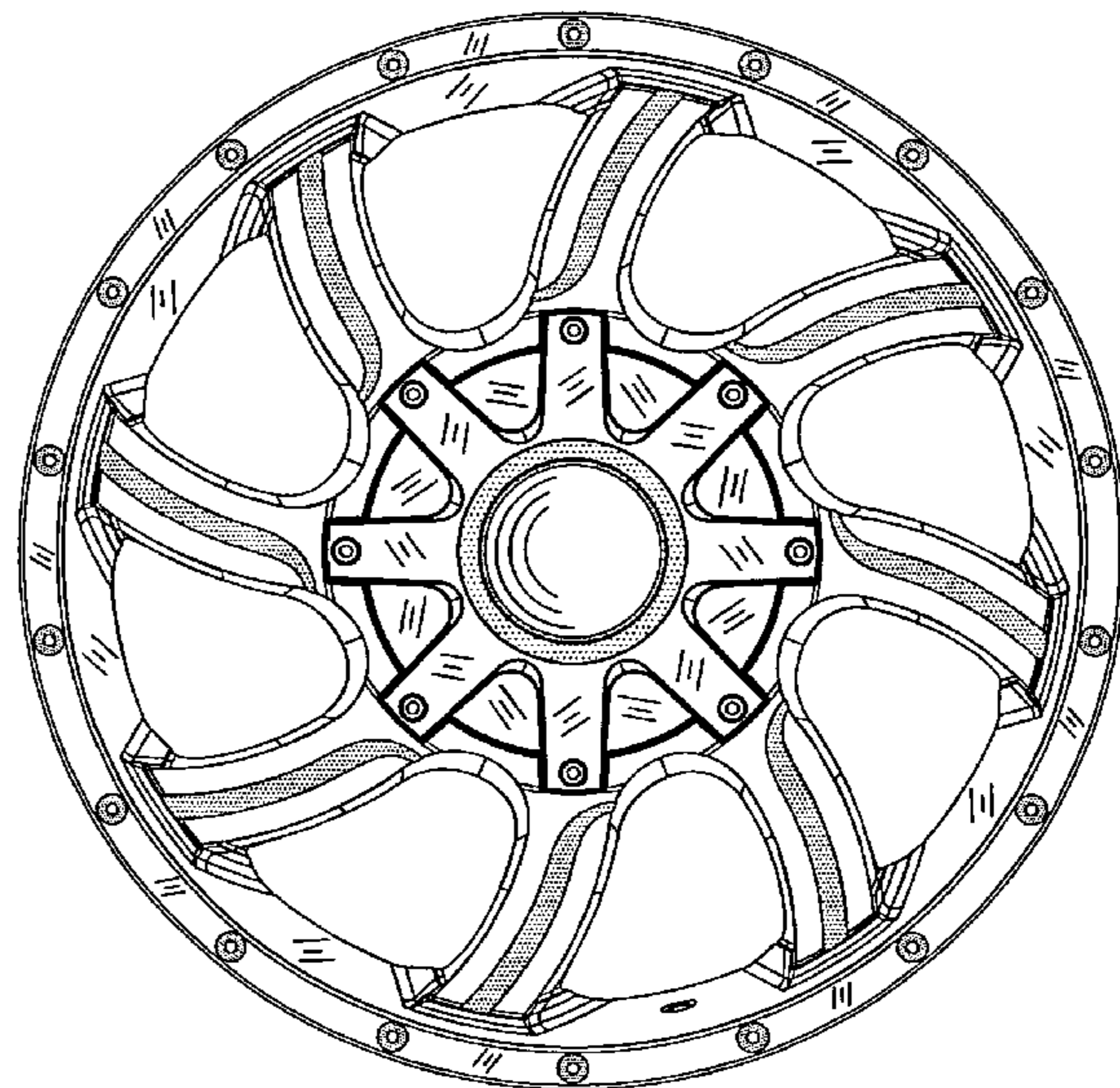
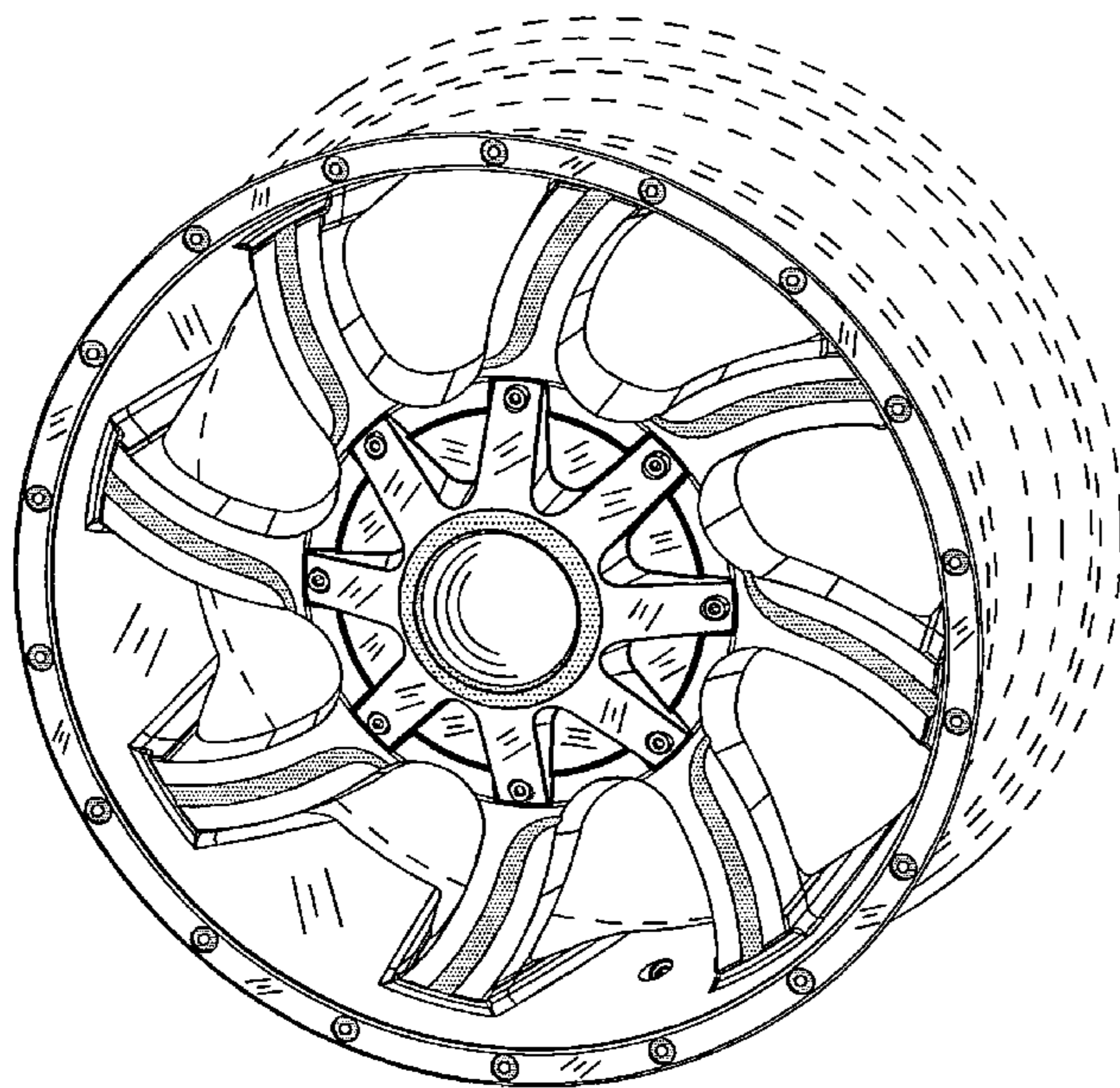
DESCRIPTION

FIG. 1 is a perspective view of an automotive wheel showing my new design; and,

FIG. 2 is a front view thereof.

The broken line showing of the rear portion of the wheel rim is included for the purpose of illustrating environment and forms no part of the claimed design.

1 Claim, 2 Drawing Sheets



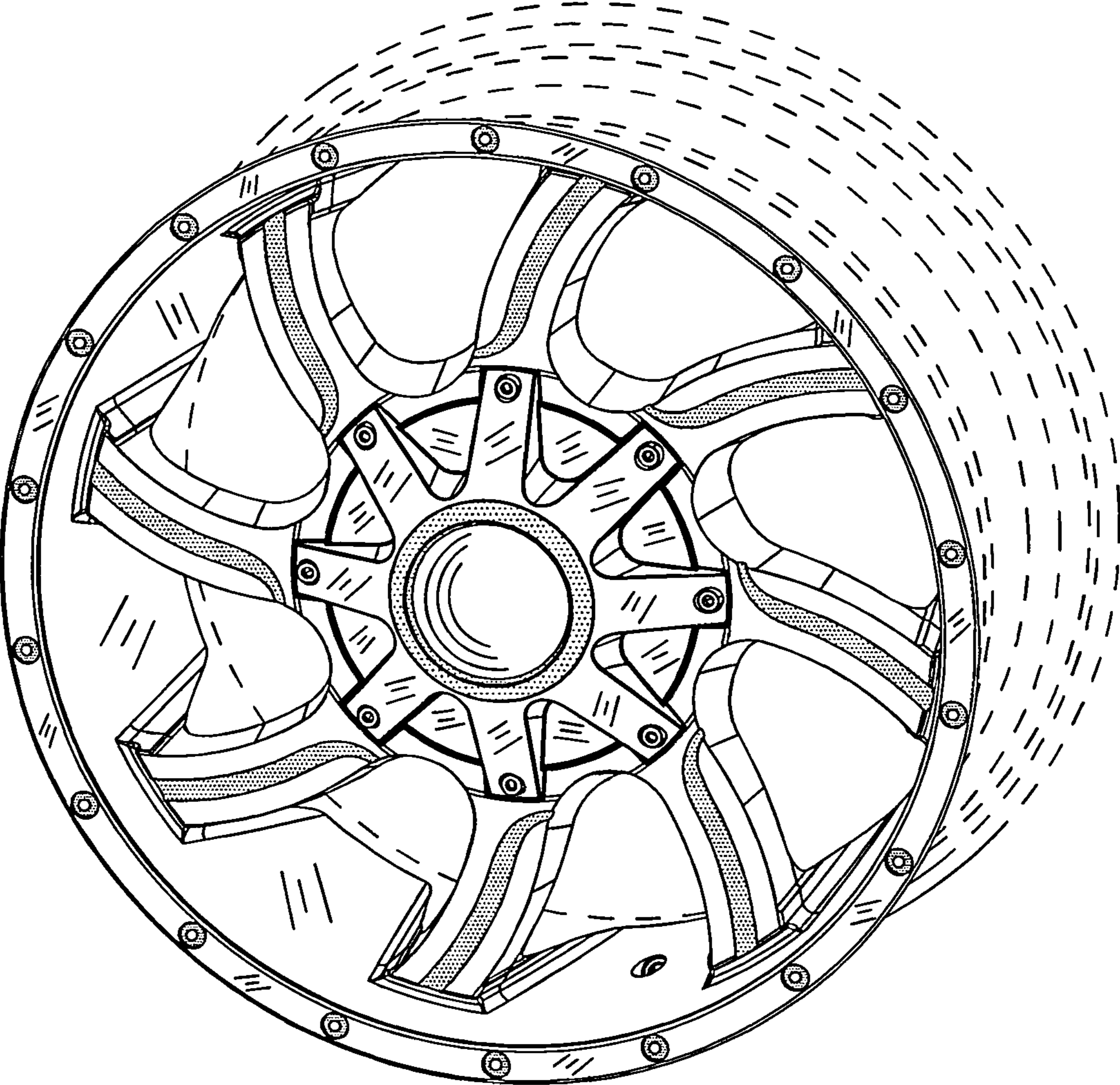


FIG.1

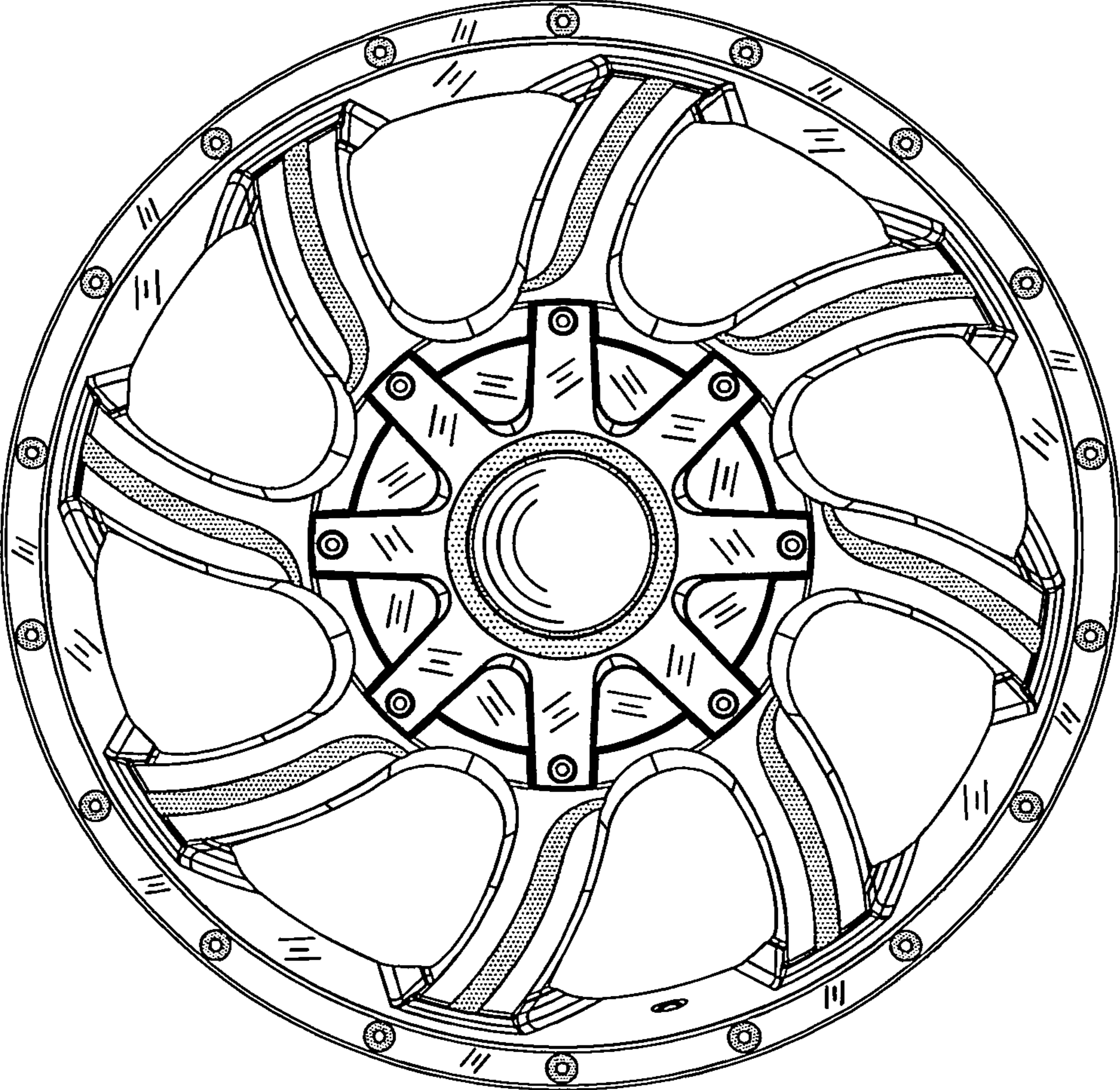


FIG.2