



US00D719890S

(12) **United States Design Patent**
Johnson

(10) **Patent No.:** **US D719,890 S**

(45) **Date of Patent:** **** Dec. 23, 2014**

(54) **AUTOMOTIVE WHEEL**

(71) Applicant: **Kelly R. Johnson**, City of Industry, CA
(US)

(72) Inventor: **Kelly R. Johnson**, City of Industry, CA
(US)

(73) Assignee: **The Wheel Group**, City of Industry, CA
(US)

(**) Term: **14 Years**

(21) Appl. No.: **29/474,353**

(22) Filed: **Aug. 19, 2014**

(51) **LOC (10) Cl.** **12-16**

(52) **U.S. Cl.**
USPC **D12/209**

(58) **Field of Classification Search**
CPC B60B 3/02; B60B 3/04; B60B 3/06;
B60B 3/10; B60B 7/00; B60B 7/02; B60B
7/04; B60B 7/01; B60B 7/06; B60B 1/00;
B60B 1/08; B60B 1/10; B60B 1/12
USPC D12/204-213
See application file for complete search history.

(56) **References Cited**

U.S. PATENT DOCUMENTS

D571,274 S *	6/2008	Chung	D12/209
D584,673 S *	1/2009	Chung	D12/209
D633,028 S *	2/2011	Kim	D12/211
D649,107 S *	11/2011	Hale, Jr.	D12/211
D680,047 S *	4/2013	Hale, Jr.	D12/209
D691,543 S *	10/2013	Gordon	D12/209
D695,182 S *	12/2013	Chung	D12/209
D701,480 S *	3/2014	Kong	D12/209
D714,207 S *	9/2014	Kim	D12/211
D715,717 S *	10/2014	Hodges	D12/209

* cited by examiner

Primary Examiner — Stacia Cadmus

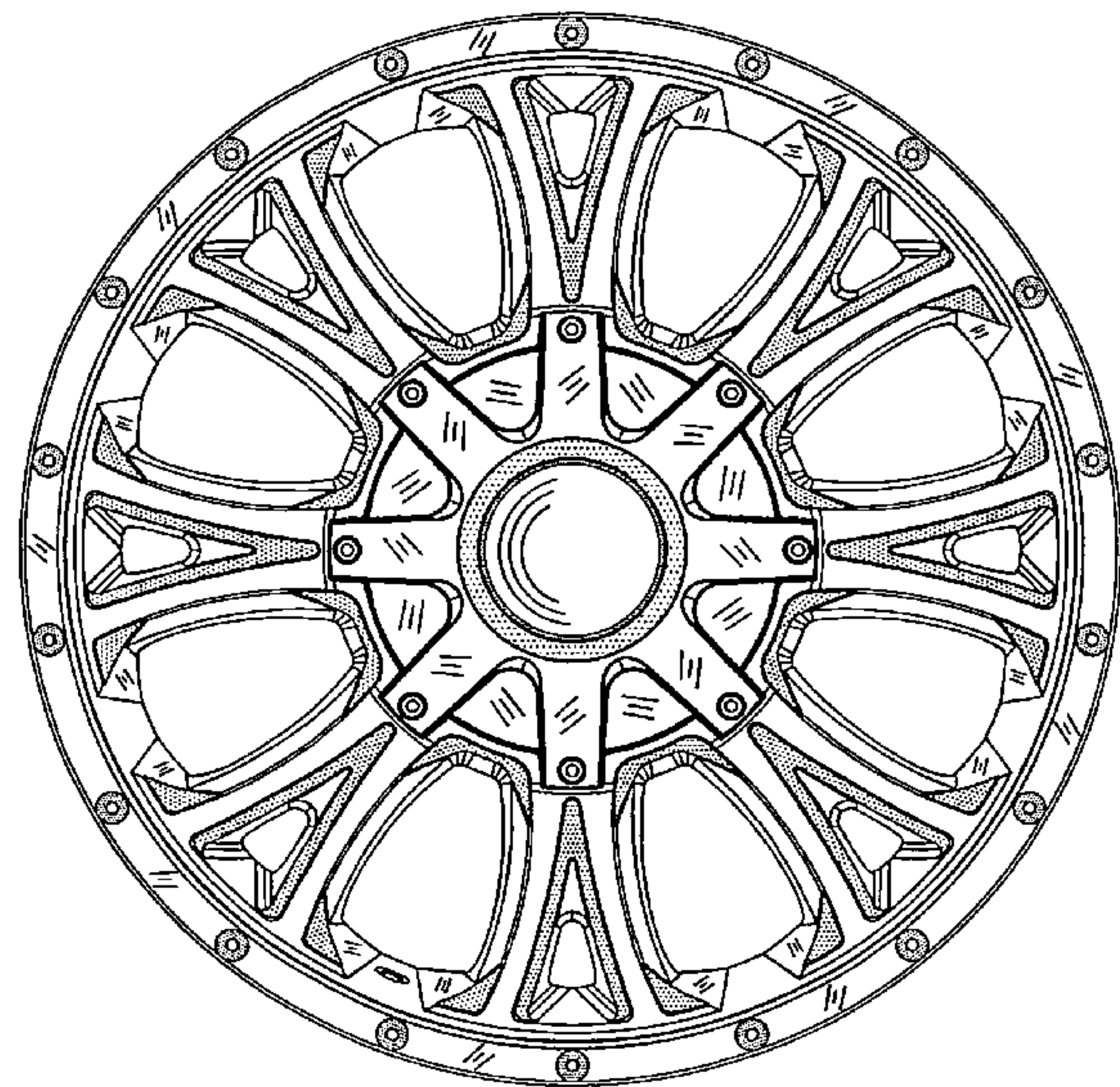
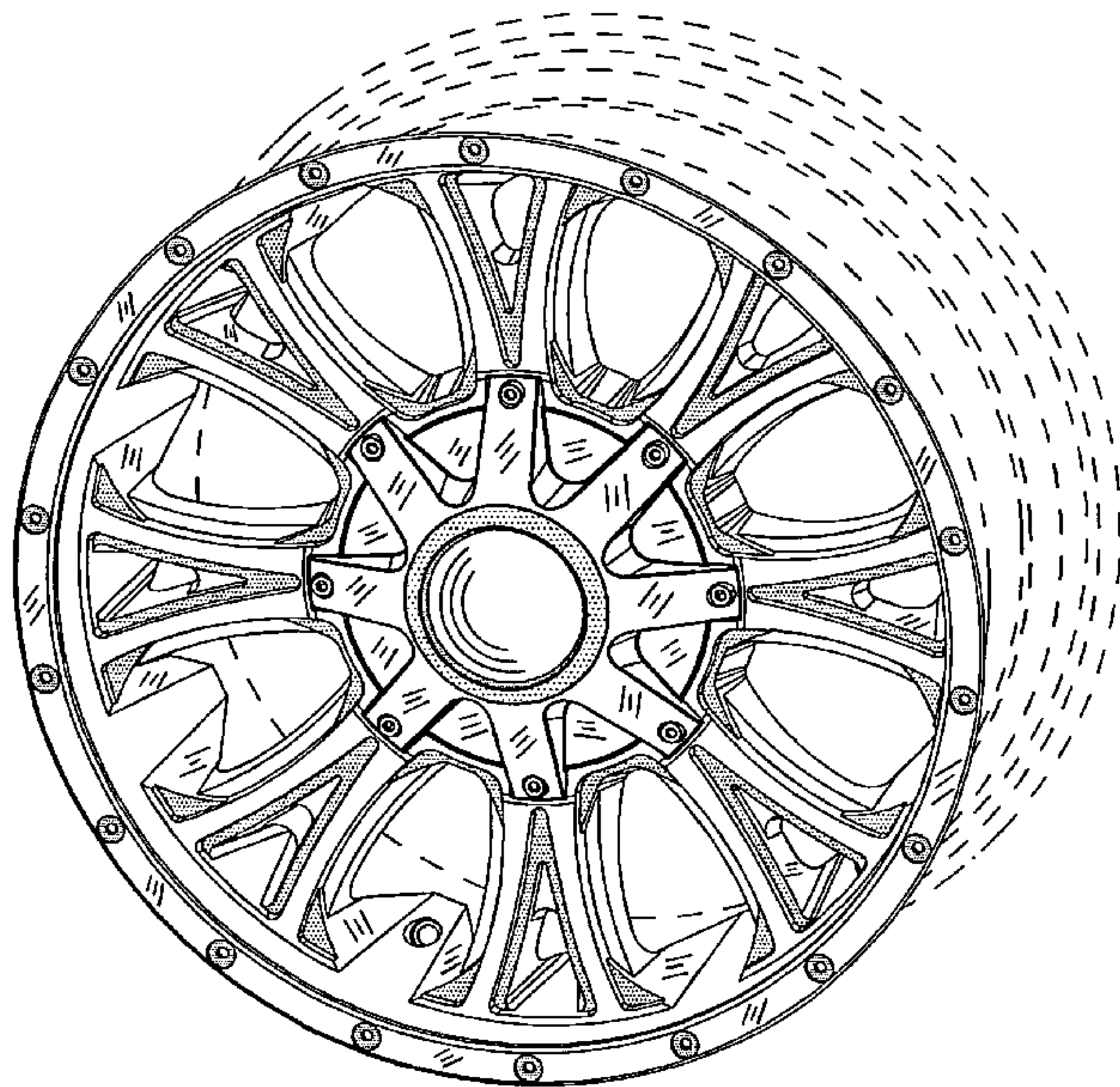
(57) **CLAIM**

The ornamental design for an automotive wheel, as show and described.

DESCRIPTION

FIG. 1 is a perspective view of an automotive wheel showing my new design; and, FIG. 2 is a front view thereof. The broken line showing of the rear portion of the wheel rim is included for the purpose of illustrating environment and forms no part of the claimed design.

1 Claim, 2 Drawing Sheets



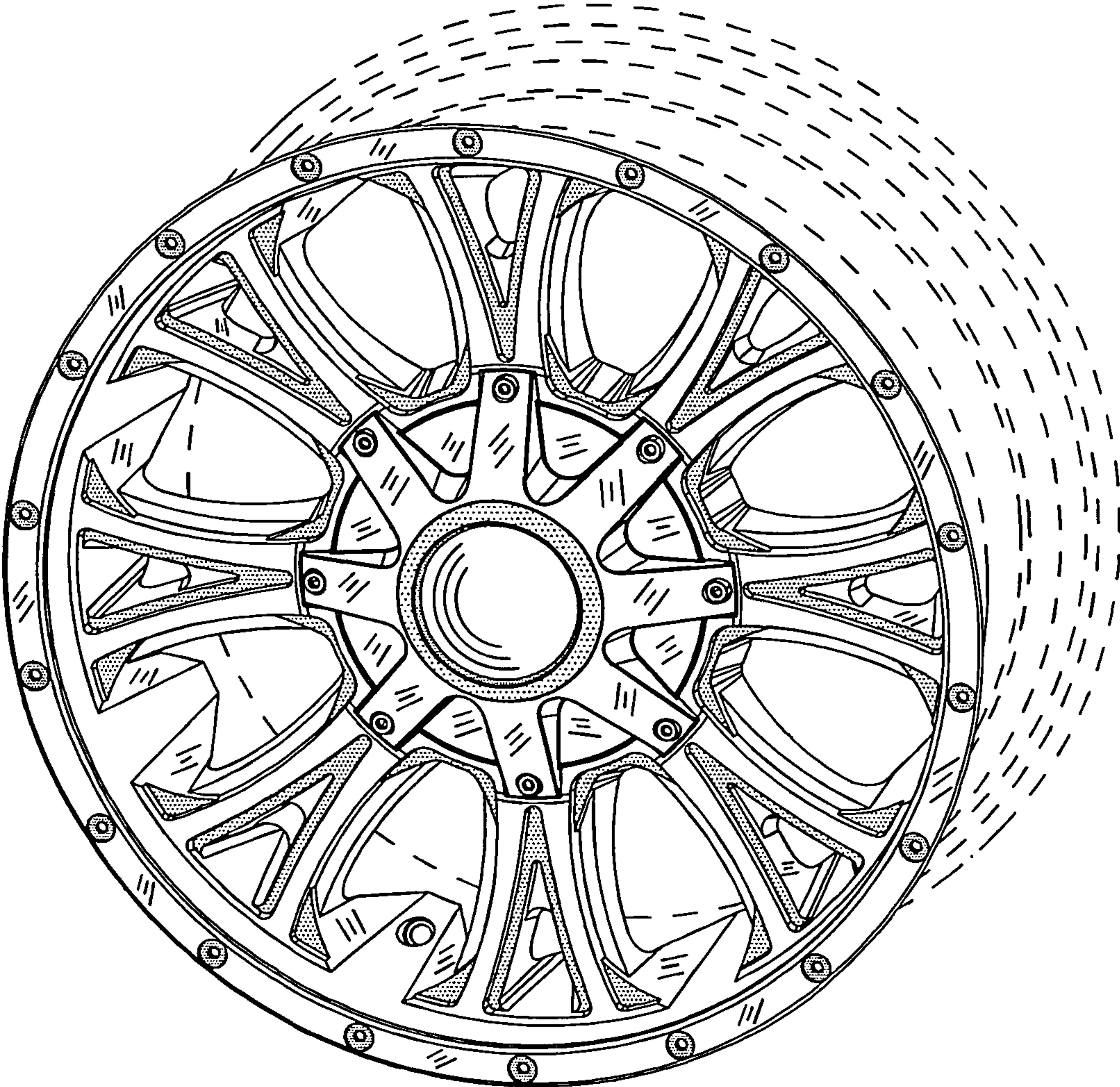


FIG.1

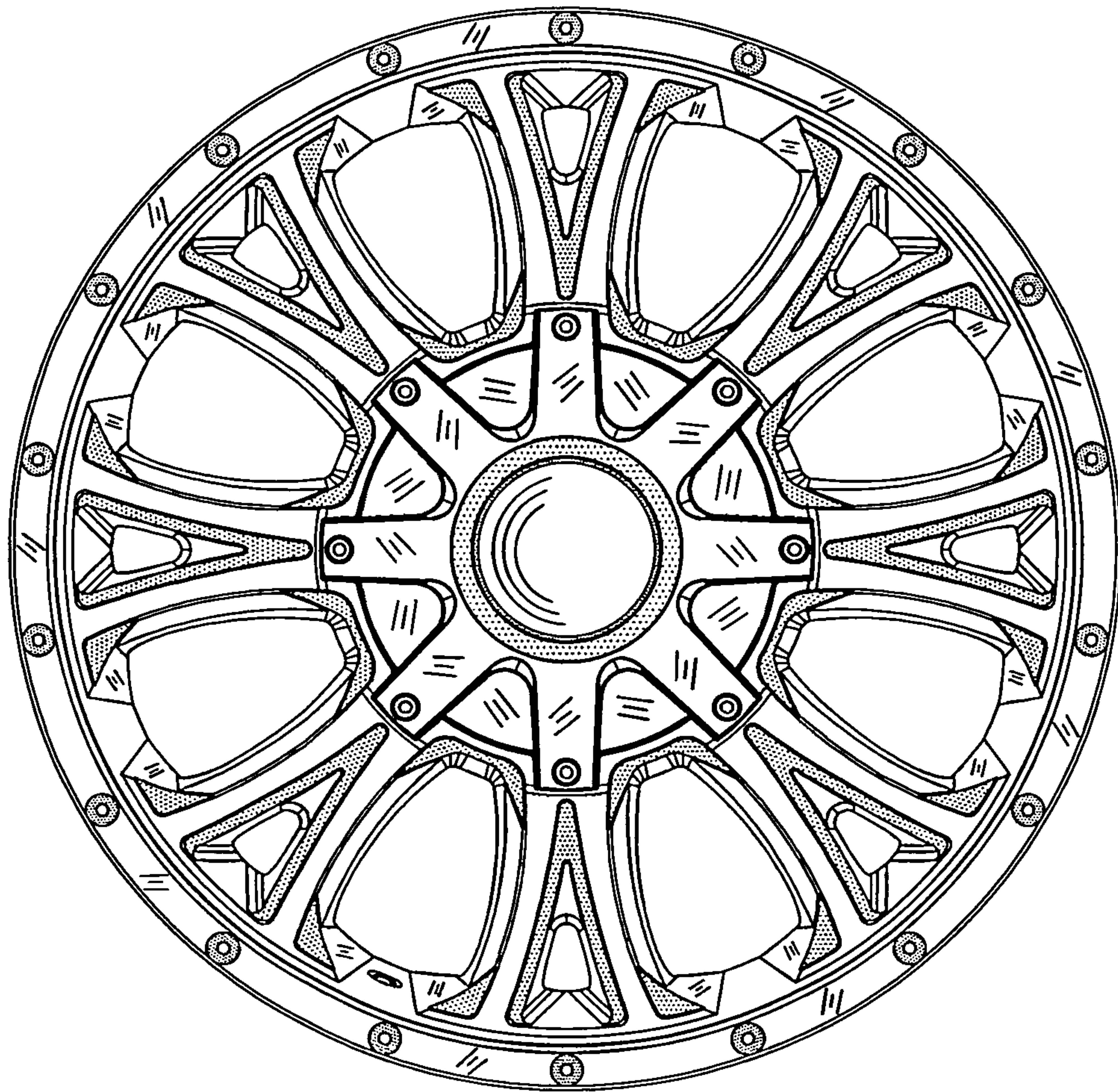


FIG.2