



US00D719889S

(12) **United States Design Patent**
Hodges

(10) **Patent No.:** **US D719,889 S**

(45) **Date of Patent:** **** Dec. 23, 2014**

(54) **WHEEL**

(71) Applicant: **Frank J. Hodges**, Corona, CA (US)

(72) Inventor: **Frank J. Hodges**, Corona, CA (US)

(**) Term: **14 Years**

(21) Appl. No.: **29/469,371**

(22) Filed: **Oct. 9, 2013**

(51) **LOC (10) Cl.** **12-16**

(52) **U.S. Cl.**
USPC **D12/209**

(58) **Field of Classification Search**
USPC D12/204-213; 301/37.101, 64.101, 65,
301/64.201
See application file for complete search history.

(56) **References Cited**

U.S. PATENT DOCUMENTS

D422,258 S *	4/2000	Hale, Jr.	D12/211
D548,165 S *	8/2007	Young	D12/211
D569,778 S *	5/2008	Kim	D12/211
D576,937 S *	9/2008	Imai	D12/211

D577,323 S *	9/2008	Chung	D12/211
D612,789 S *	3/2010	Tant et al.	D12/211
D614,109 S *	4/2010	Tant et al.	D12/211
D614,111 S *	4/2010	Tant et al.	D12/211
D620,421 S *	7/2010	Lamm et al.	D12/209
D634,250 S *	3/2011	Matei et al.	D12/209
D638,769 S *	5/2011	Groom	D12/211
D654,005 S *	2/2012	Mueller-Stolz et al.	D12/209
D668,196 S *	10/2012	Tant et al.	D12/209
D678,159 S *	3/2013	Hale, Jr.	D12/209
D695,188 S *	12/2013	Chinavare	D12/209

* cited by examiner

Primary Examiner — Stacia Cadmus

(74) *Attorney, Agent, or Firm* — Eric B. Alspaugh

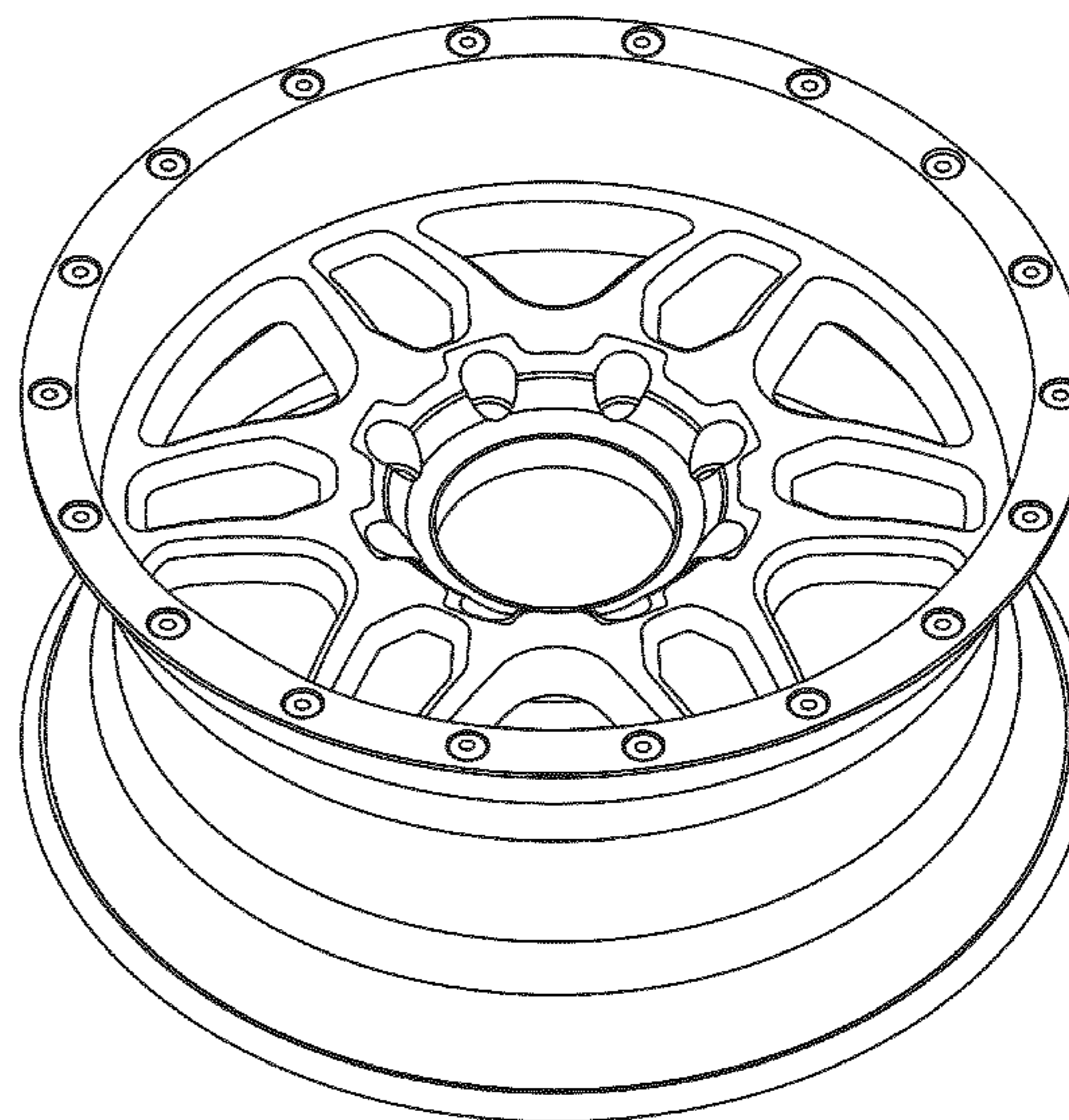
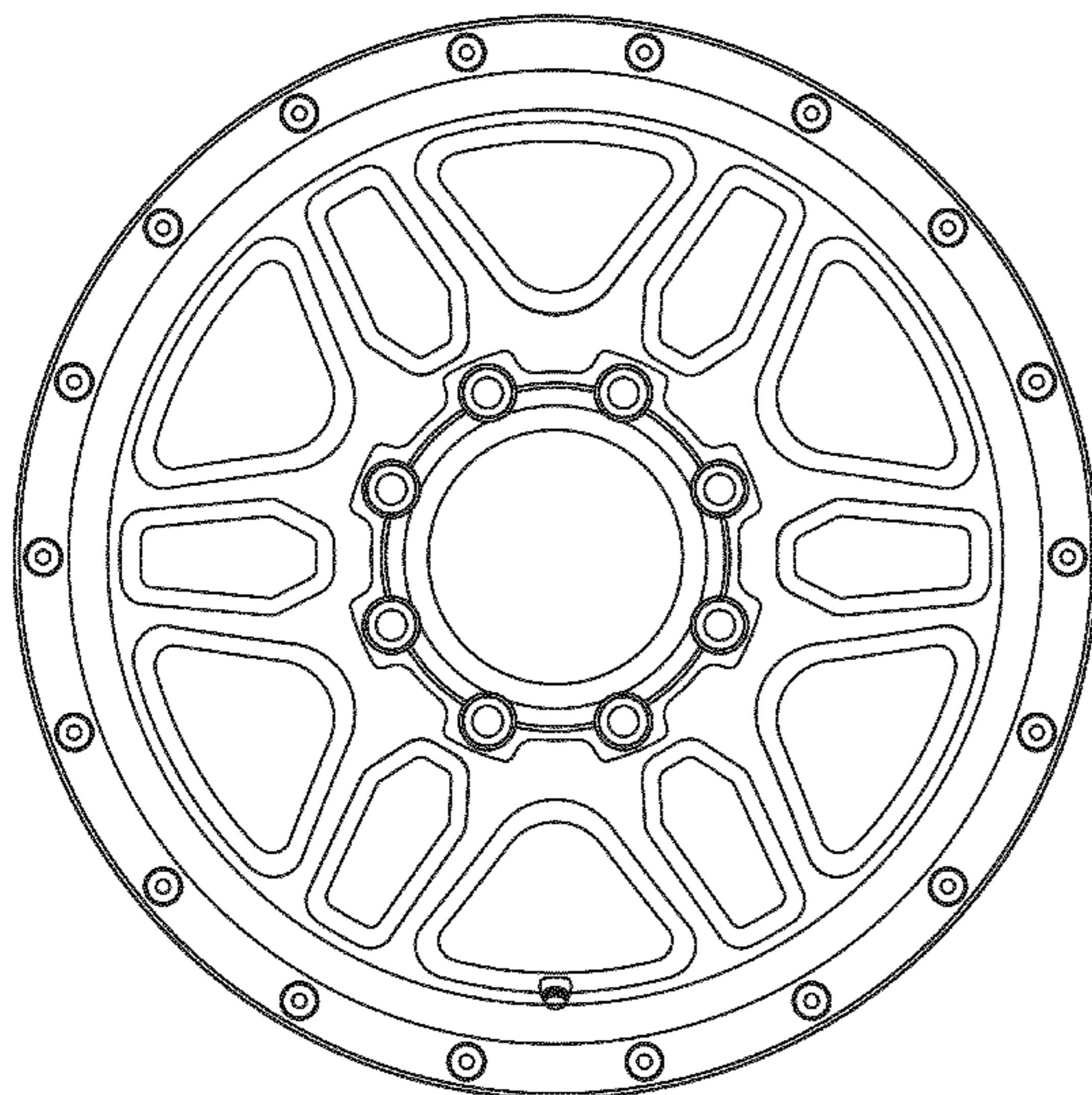
(57) **CLAIM**

The ornamental design for a wheel, as shown and described.

DESCRIPTION

FIG. 1 is a front view of a wheel, showing my new design;
FIG. 2 is a perspective view thereof; and,
FIG. 3 is a side view thereof.

1 Claim, 3 Drawing Sheets



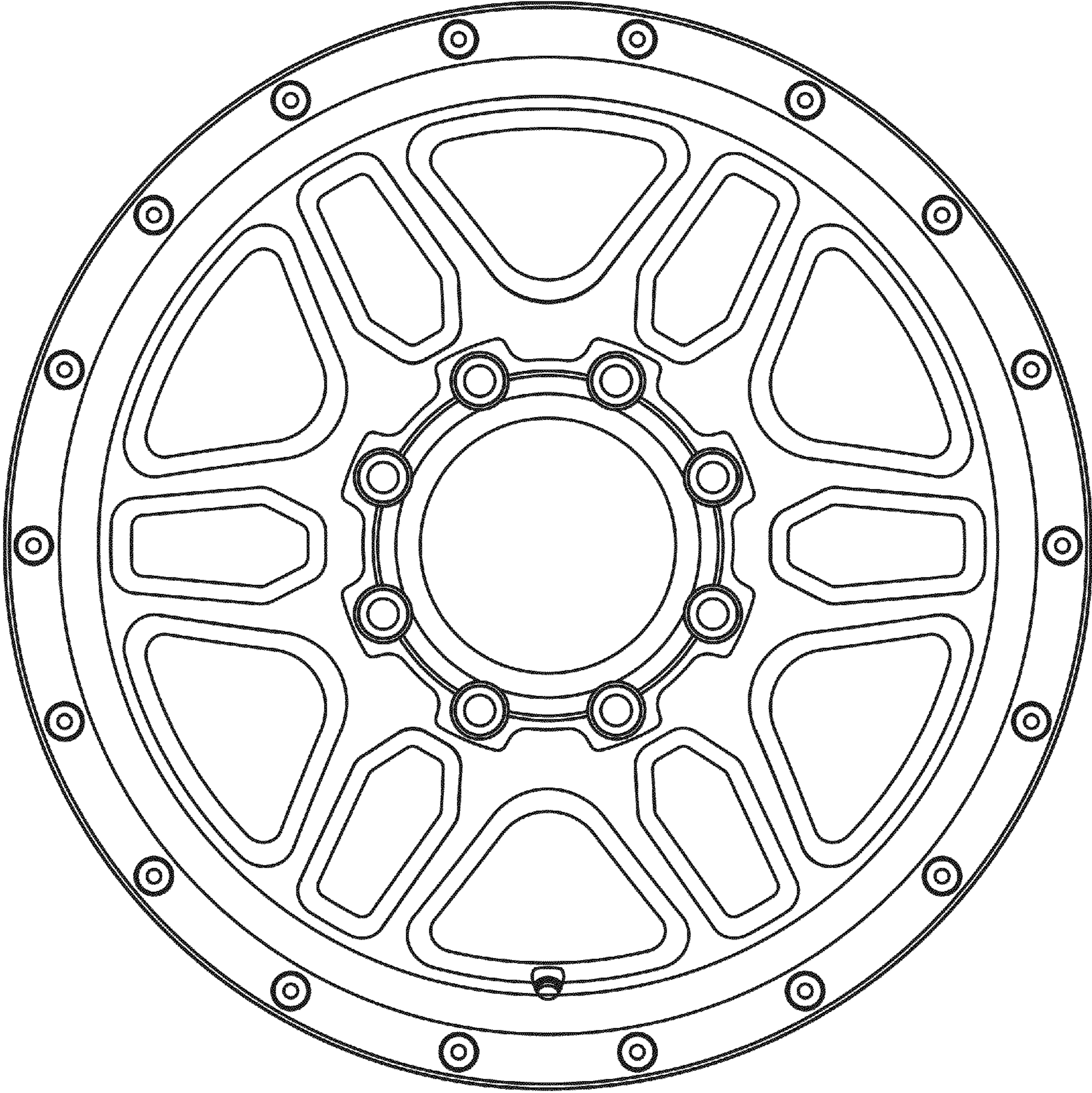


Fig. 1

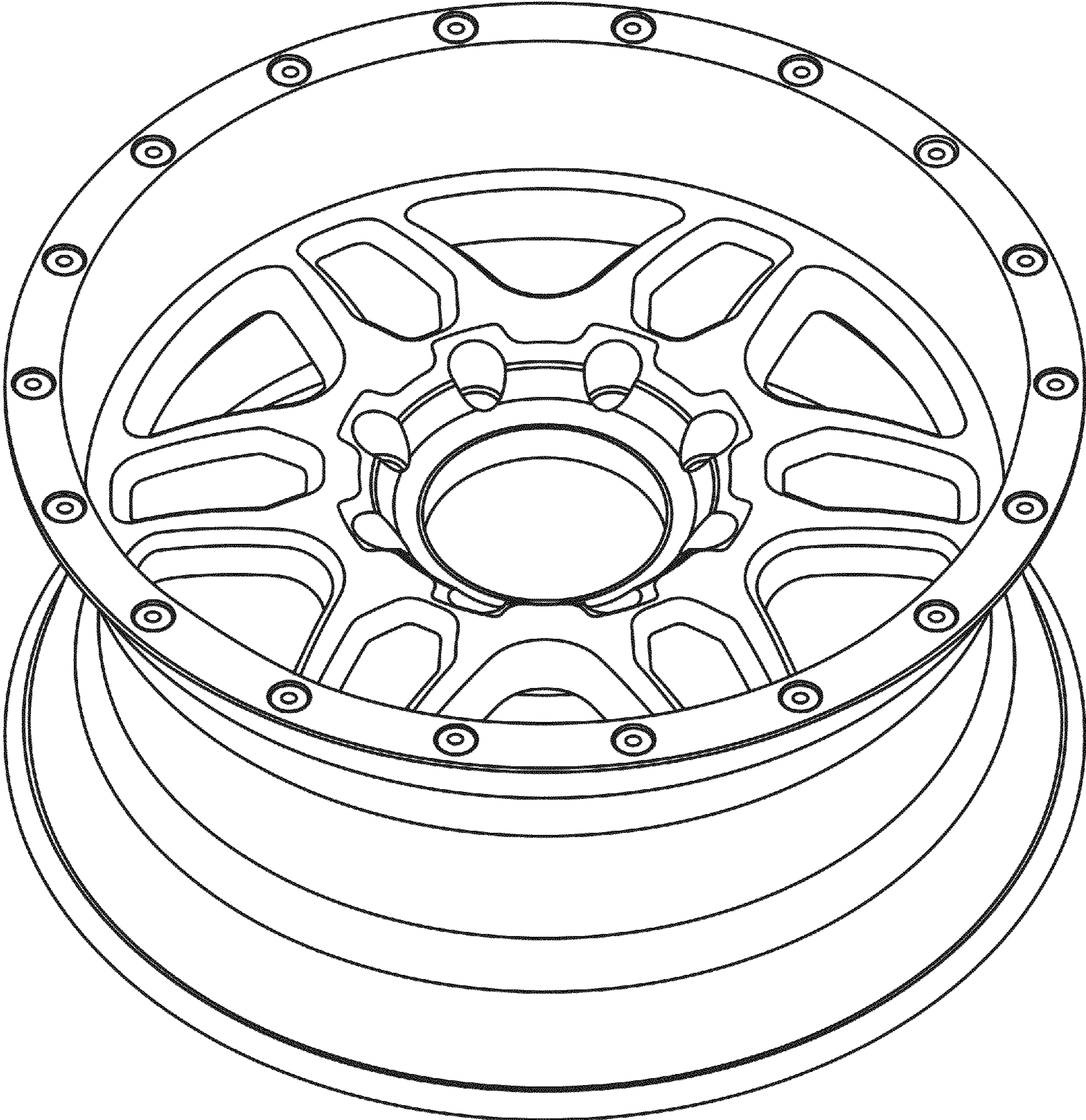


Fig. 2

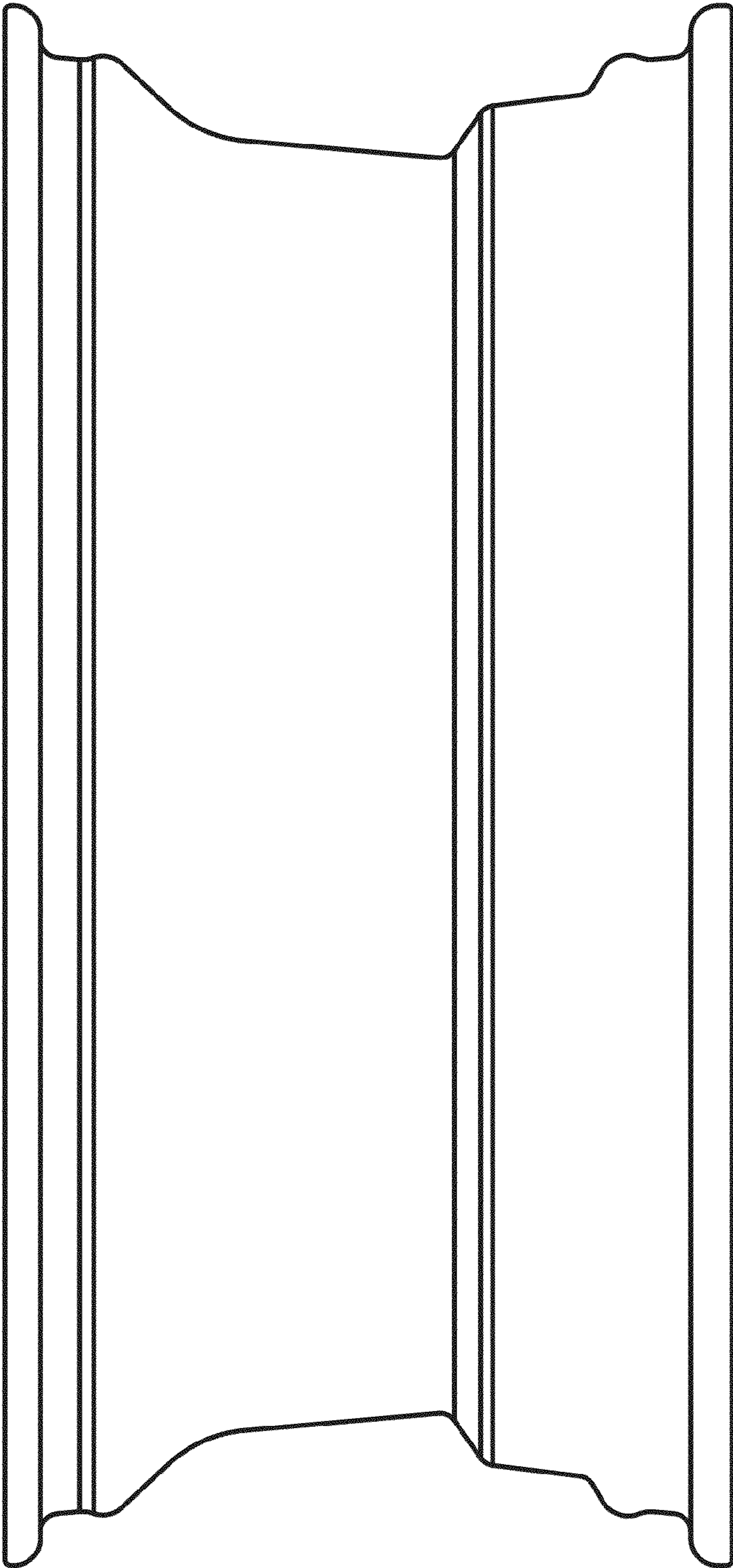


Fig. 3