



US00D719888S

(12) **United States Design Patent**
Stolz

(10) **Patent No.:** **US D719,888 S**

(45) **Date of Patent:** **** Dec. 23, 2014**

(54) **WHEEL OR WHEEL COVER**

(71) Applicant: **Daimler AG**, Stuttgart (DE)

(72) Inventor: **Gert Stolz**, Stuttgart (DE)

(73) Assignee: **Daimler AG**, Stuttgart (DE)

(**) Term: **14 Years**

(21) Appl. No.: **29/439,392**

(22) Filed: **Dec. 11, 2012**

(30) **Foreign Application Priority Data**

Jun. 12, 2012 (WO) 078831

(51) **LOC (10) Cl.** **12-16**

(52) **U.S. Cl.**
USPC **D12/209**

(58) **Field of Classification Search**
CPC B60B 7/00; B60B 7/02; B60B 7/04;
B60B 7/01; B60B 7/06; B60B 3/02; B60B
3/04; B60B 3/06; B60B 3/10; B60B 1/00;
B60B 1/08; B60B 1/10; B60B 1/12
USPC D12/204–213
See application file for complete search history.

(56) **References Cited**

U.S. PATENT DOCUMENTS

D403,648 S * 1/1999 Feriero D12/209
D432,479 S * 10/2000 Lee et al. D12/209
D436,907 S * 1/2001 Ong D12/209
D503,917 S * 4/2005 Kushartanto D12/209
D505,903 S * 6/2005 Nordmann D12/209
D508,671 S * 8/2005 Baum D12/209
D515,997 S * 2/2006 Phillips D12/209

D527,331 S * 8/2006 Aoki D12/211
D538,215 S * 3/2007 Laengerer et al. D12/209
D575,715 S * 8/2008 Nissl D12/209
D580,334 S * 11/2008 Blasi D12/211
D589,423 S * 3/2009 Juergens et al. D12/209
D623,110 S * 9/2010 Juergens et al. D12/209
D643,793 S * 8/2011 Juergens et al. D12/209
D655,232 S * 3/2012 Zhao D12/209
D667,355 S * 9/2012 Gotschke D12/209
D669,011 S * 10/2012 Chung D12/211
D674,329 S * 1/2013 Bildhaeuser D12/209
D677,208 S * 3/2013 Gotschke D12/209
D690,248 S * 9/2013 Bildhaeuser D12/209
D700,123 S * 2/2014 Bildhaeuser et al. D12/209
D713,311 S * 9/2014 Yoon D12/209

* cited by examiner

Primary Examiner — Stacia Cadmus

(74) *Attorney, Agent, or Firm* — Crowell & Moring LLP

(57) **CLAIM**

The ornamental design for a wheel or wheel cover, as shown and described.

DESCRIPTION

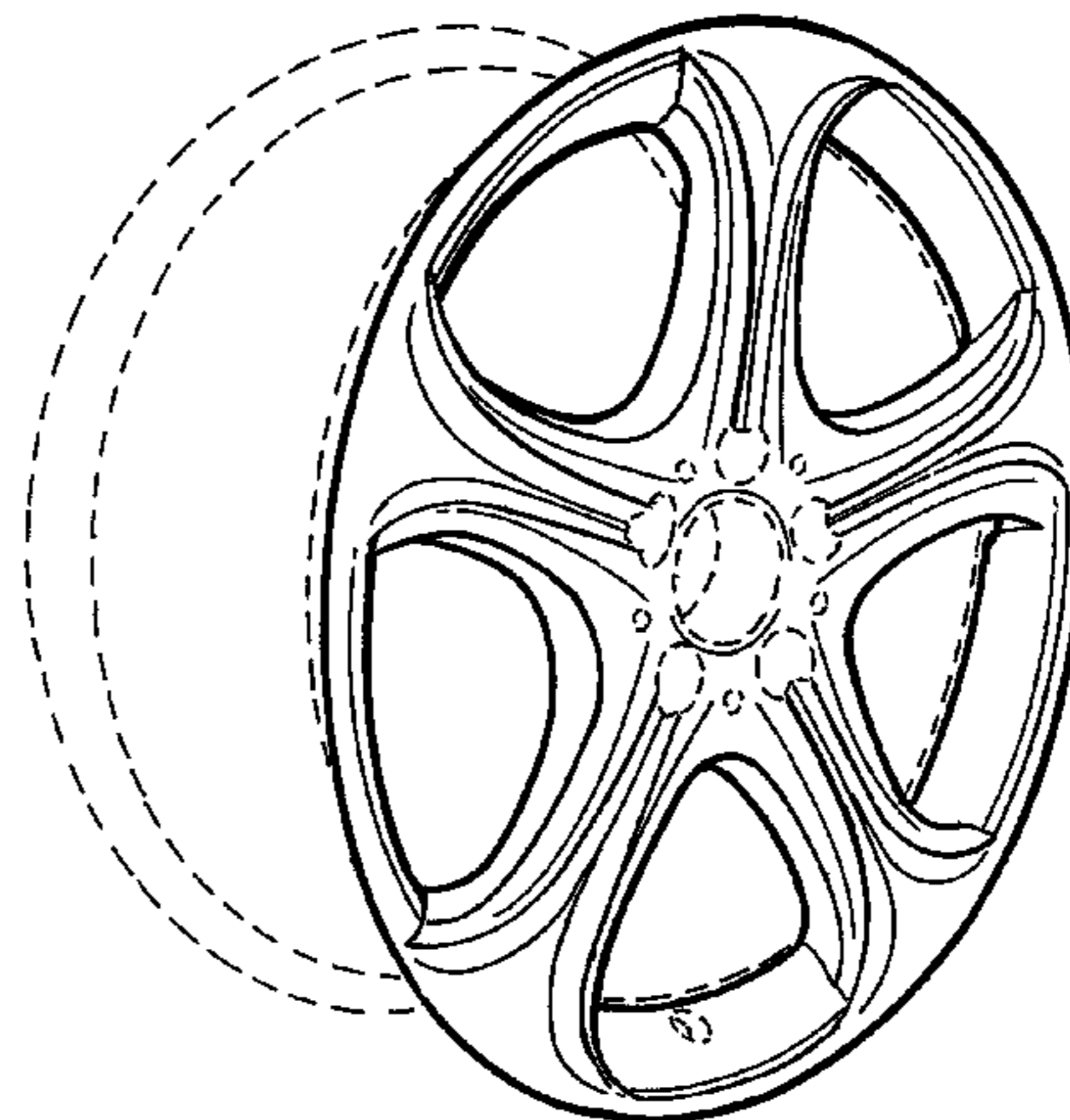
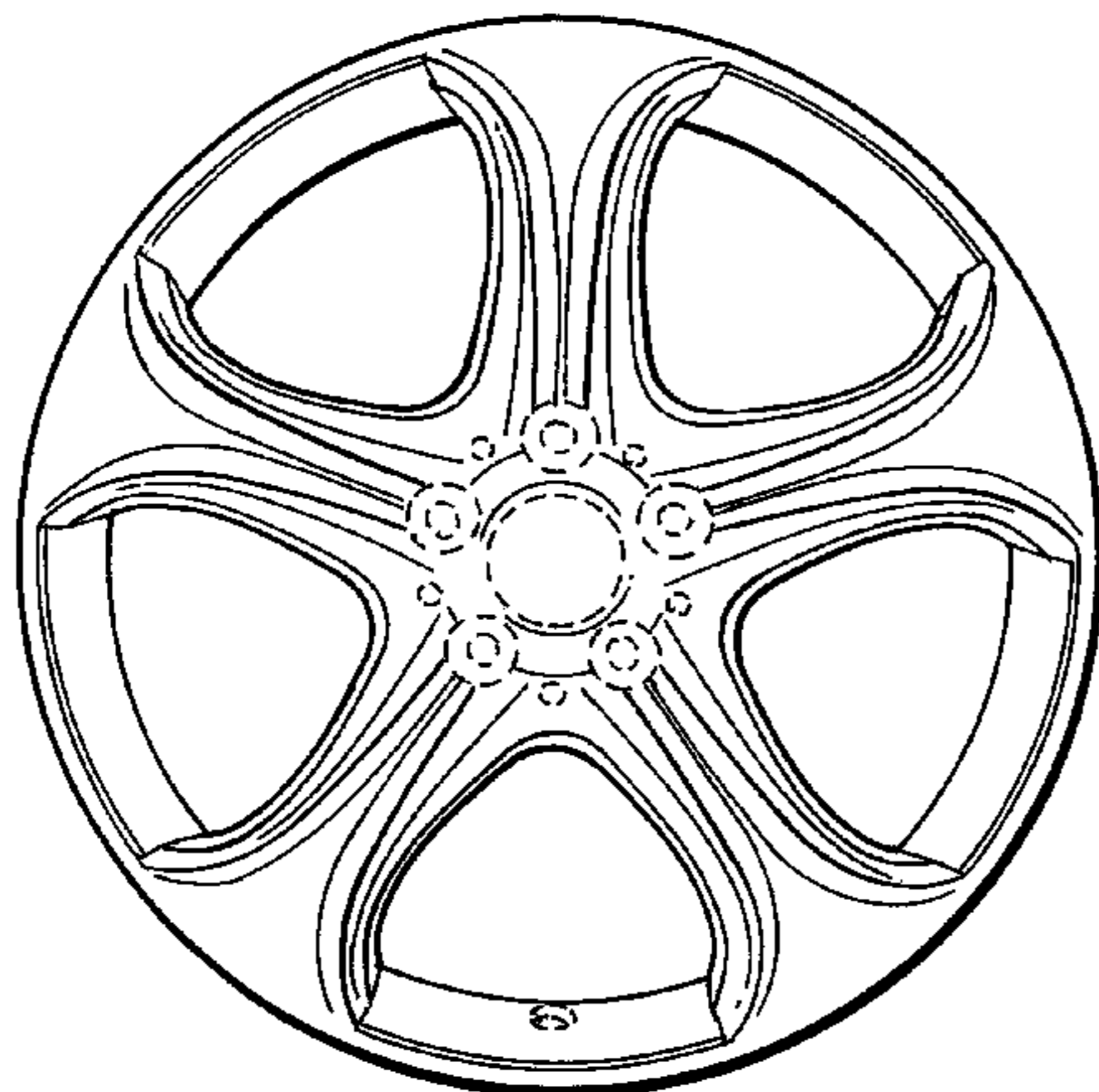
This application contains subject matter related to the following co-pending U.S. design patent application: Application Ser. No. 29/437,147 filed Nov. 14, 2012 and entitled "Wheel or Wheel Cover."

FIG. 1 is a front view of a wheel or wheel cover according to the design; and,

FIG. 2 is a perspective view thereof.

The broken line showing of the rear of the wheel, the valve stem hole and the bolt holes and the center hole in the central hub area is included for the purpose of illustrating environment and forms no part of the claimed design.

1 Claim, 1 Drawing Sheet



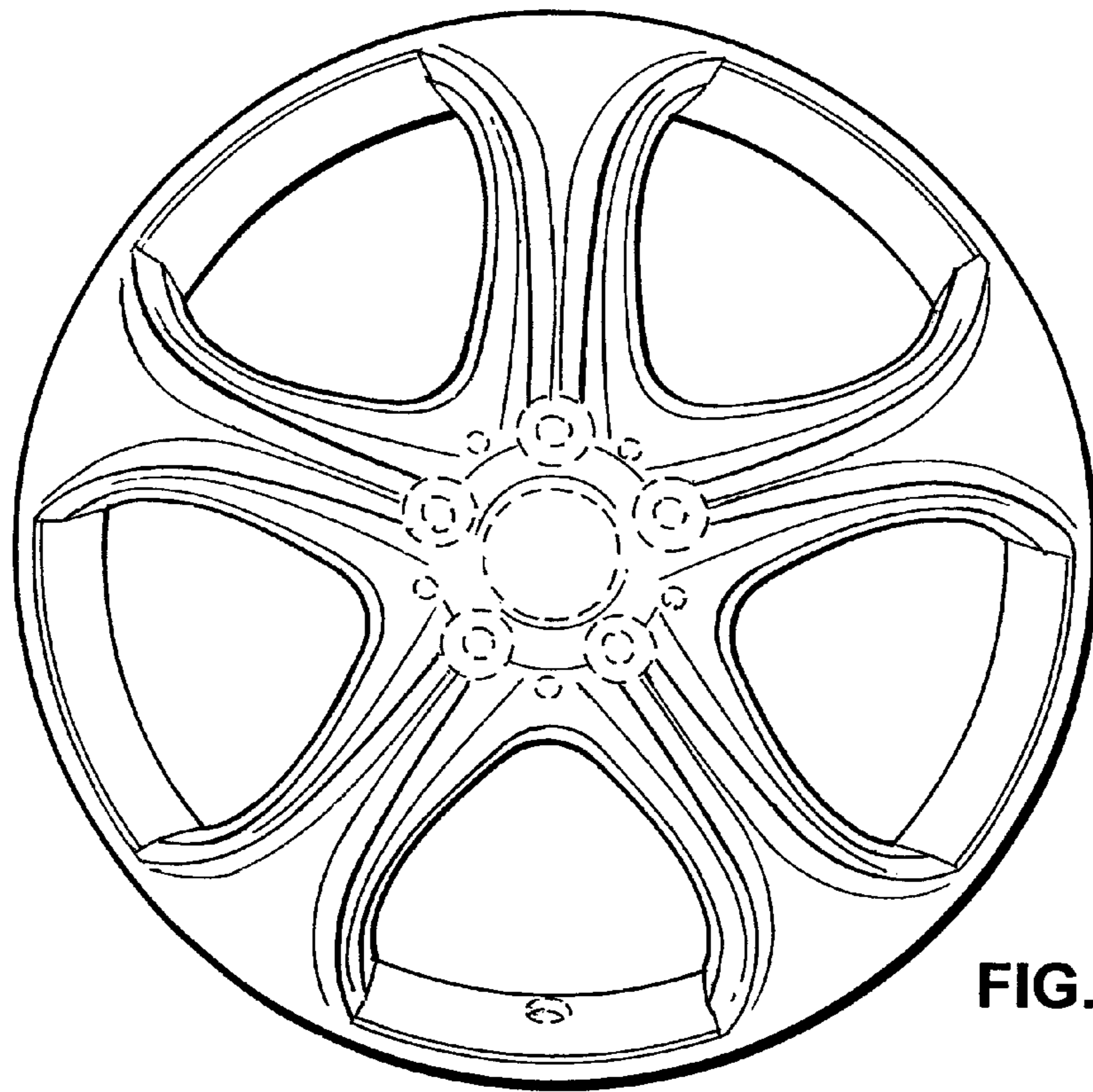


FIG. 1

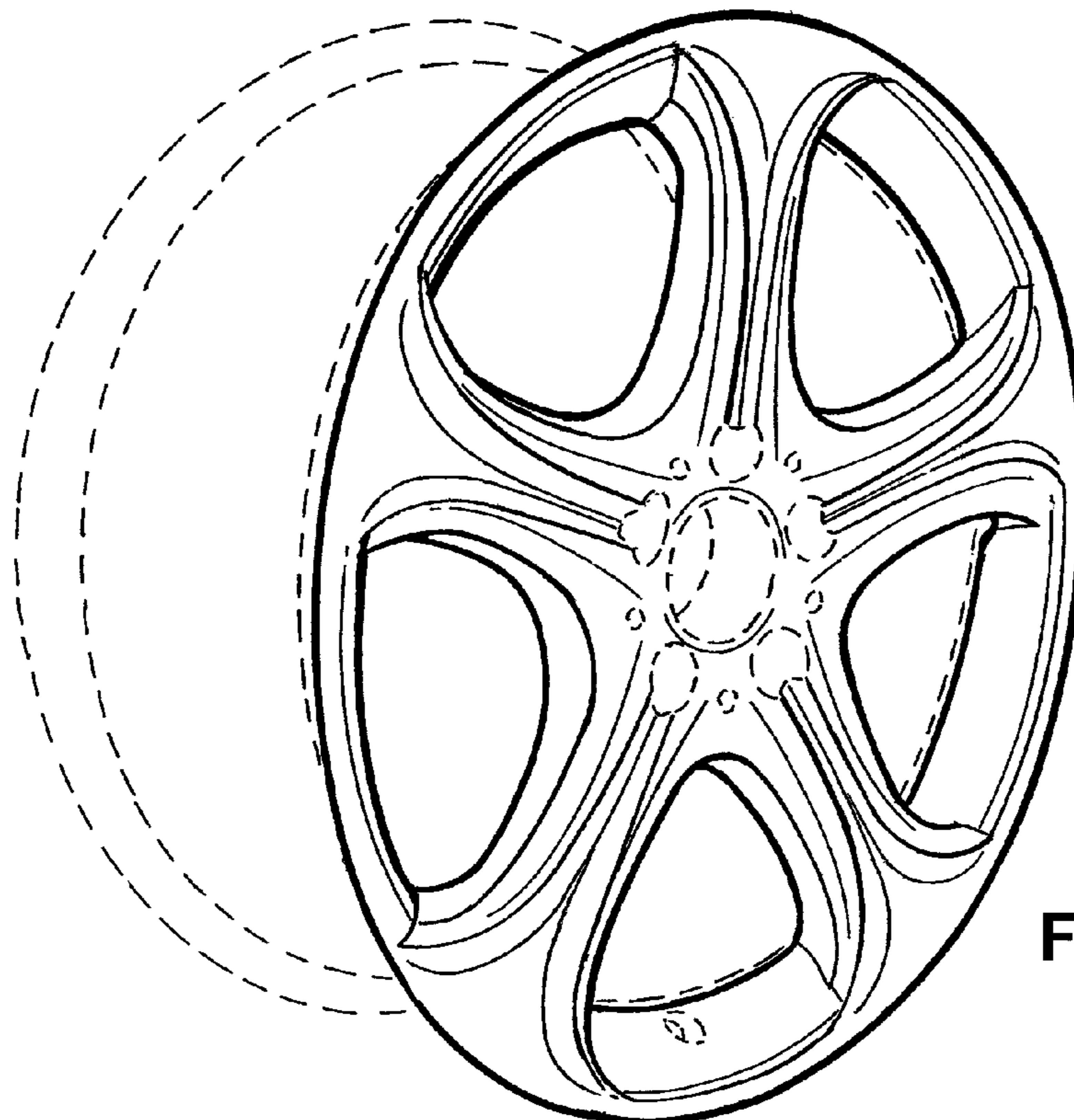


FIG. 2