



US00D719887S

(12) **United States Design Patent**
Hensel et al.

(10) **Patent No.:** **US D719,887 S**

(45) **Date of Patent:** **** Dec. 23, 2014**

(54) **HUB**
(71) Applicants: **Leonard A. Hensel**, Oswego, IL (US);
Bradley R. Layne, Fairmont, MN (US)
(72) Inventors: **Leonard A. Hensel**, Oswego, IL (US);
Bradley R. Layne, Fairmont, MN (US)
(73) Assignee: **GKN Armstrong Wheels, Inc.**,
Armstrong, IA (US)

D381,310 S * 7/1997 Zemlicka et al. D12/207
D430,093 S * 8/2000 Muraoka D12/207
D436,337 S * 1/2001 Yu D12/207
D440,533 S * 4/2001 Muraoka D12/207
D498,447 S * 11/2004 Kato D12/207
D500,976 S * 1/2005 Baker D12/207
D528,492 S * 9/2006 Wu D12/207
D561,081 S * 2/2008 Box D12/207
D647,838 S * 11/2011 Lohr et al. D12/207

* cited by examiner

(**) Term: **14 Years**

Primary Examiner — Stacia Cadmus

(74) Attorney, Agent, or Firm — Quarles & Brady LLC

(21) Appl. No.: **29/476,529**

(22) Filed: **Dec. 13, 2013**

(57) **CLAIM**

The ornamental design for a hub, as shown and described.

(51) **LOC (10) Cl.** **12-16**

(52) **U.S. Cl.**
USPC **D12/207**

DESCRIPTION

(58) **Field of Classification Search**
USPC D12/204–213, 114, 400; 280/250.1,
280/279; 384/545; 301/59, 110.5, 108.5
See application file for complete search history.

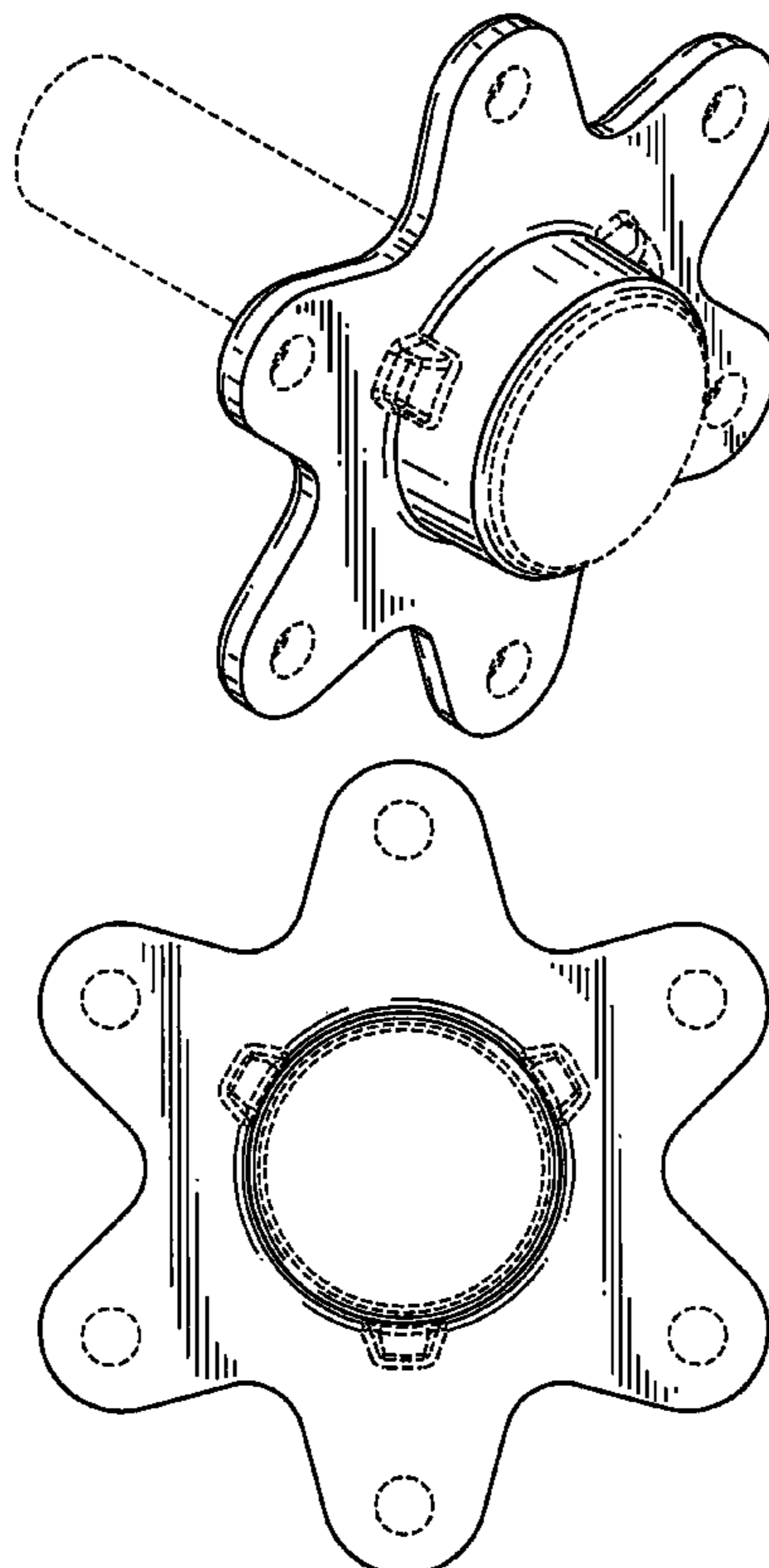
FIG. 1 is a front perspective view of a hub showing our new design;
FIG. 2 is a front elevational view thereof;
FIG. 3 is a rear elevational view thereof;
FIG. 4 is a top elevational view thereof;
FIG. 5 is a bottom elevational view thereof; and,
FIG. 6 is a left side elevational view thereof, the right side elevational view thereof being the mirror image of FIG. 6.
The broken line representations of portions of the hub in FIGS. 1-6 are shown for illustrative purposes only and form no part of the claimed design.

(56) **References Cited**

U.S. PATENT DOCUMENTS

D16,296 S * 9/1885 Maris D12/207
D157,539 S * 2/1950 Rosten D12/207
D236,105 S * 7/1975 Howard D12/207
D303,103 S * 8/1989 Brouch et al. D12/207
D364,842 S * 12/1995 Hoepfner et al. D12/207

1 Claim, 5 Drawing Sheets



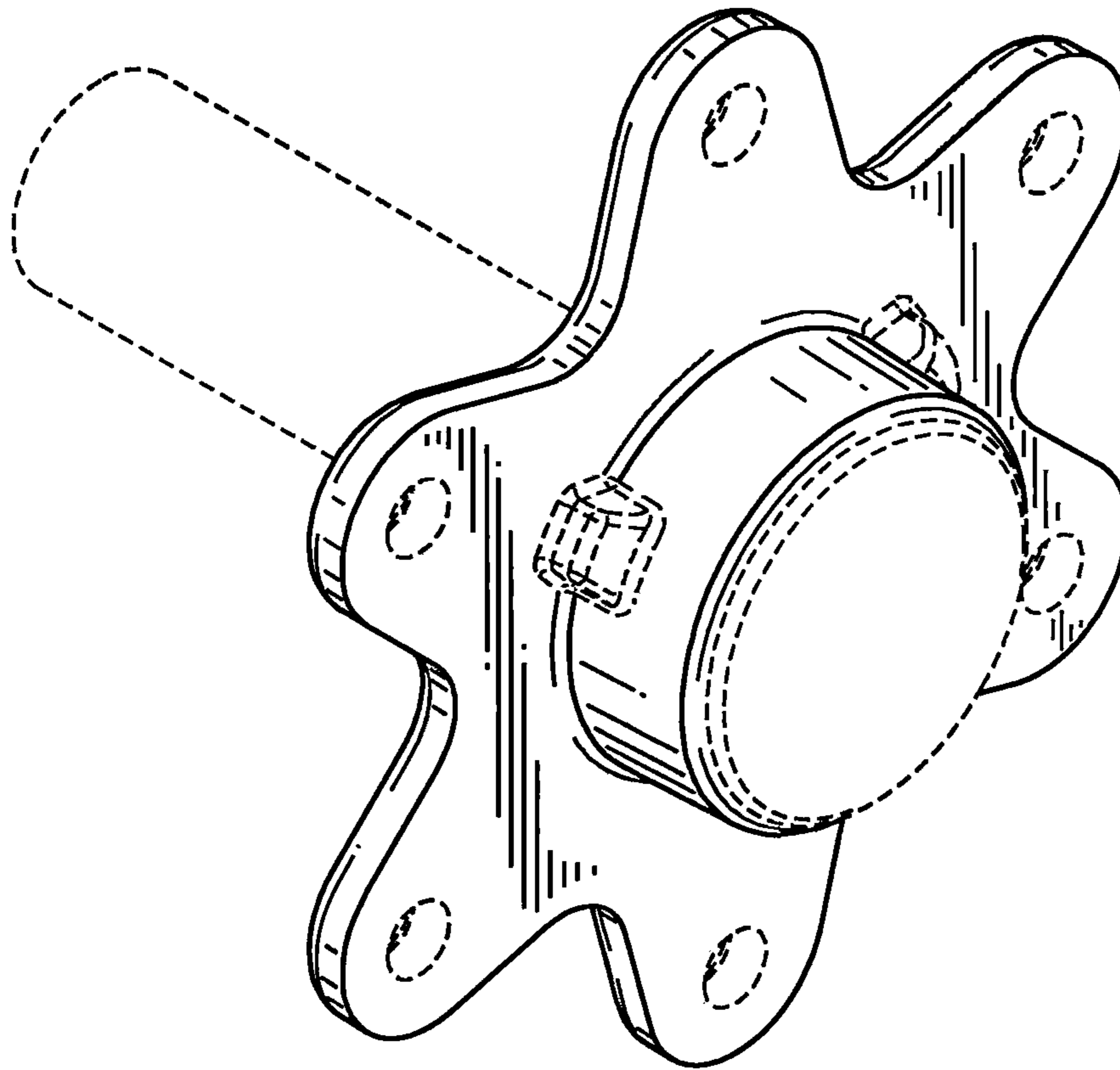


FIG. 1

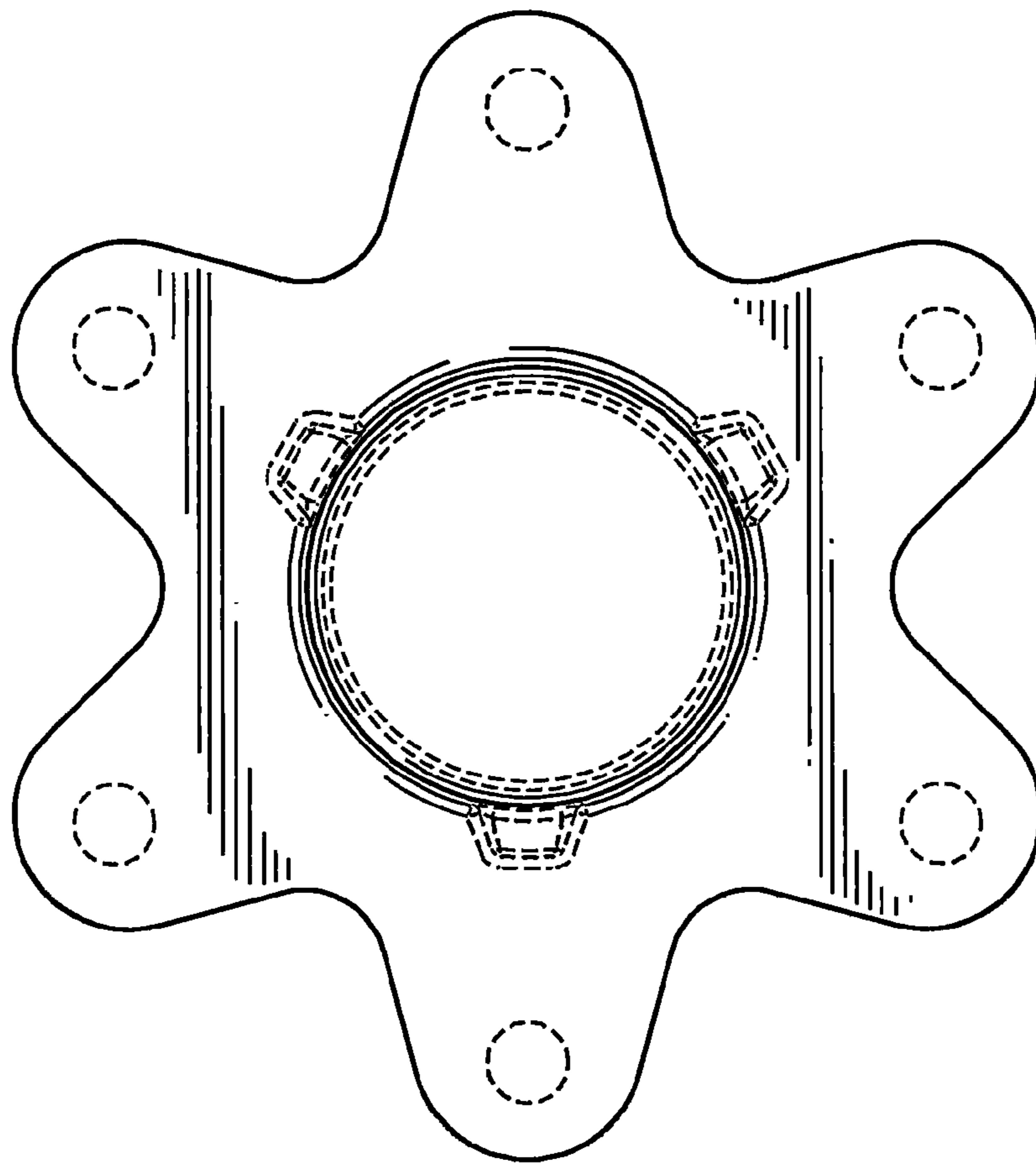


FIG. 2

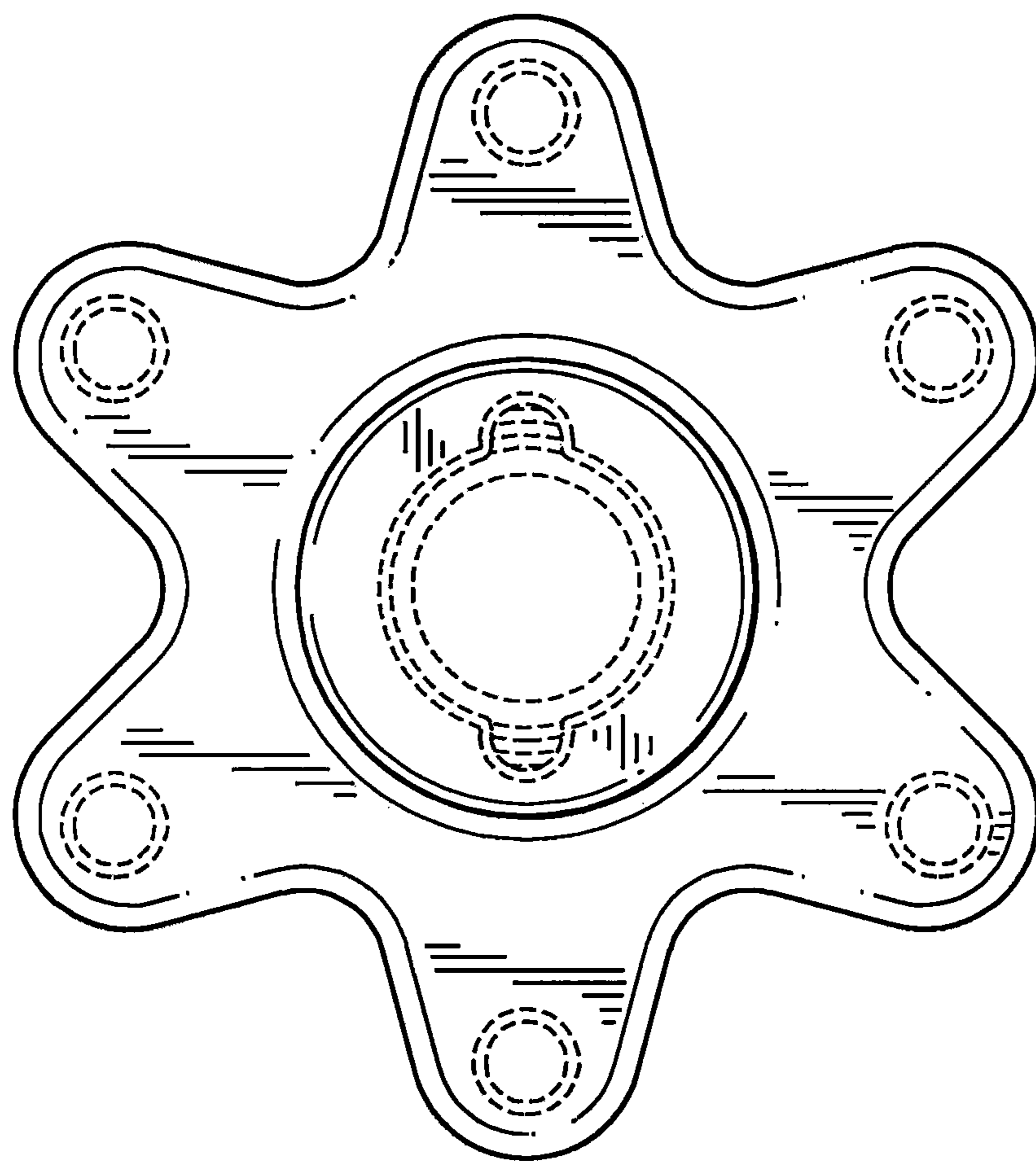


FIG. 3

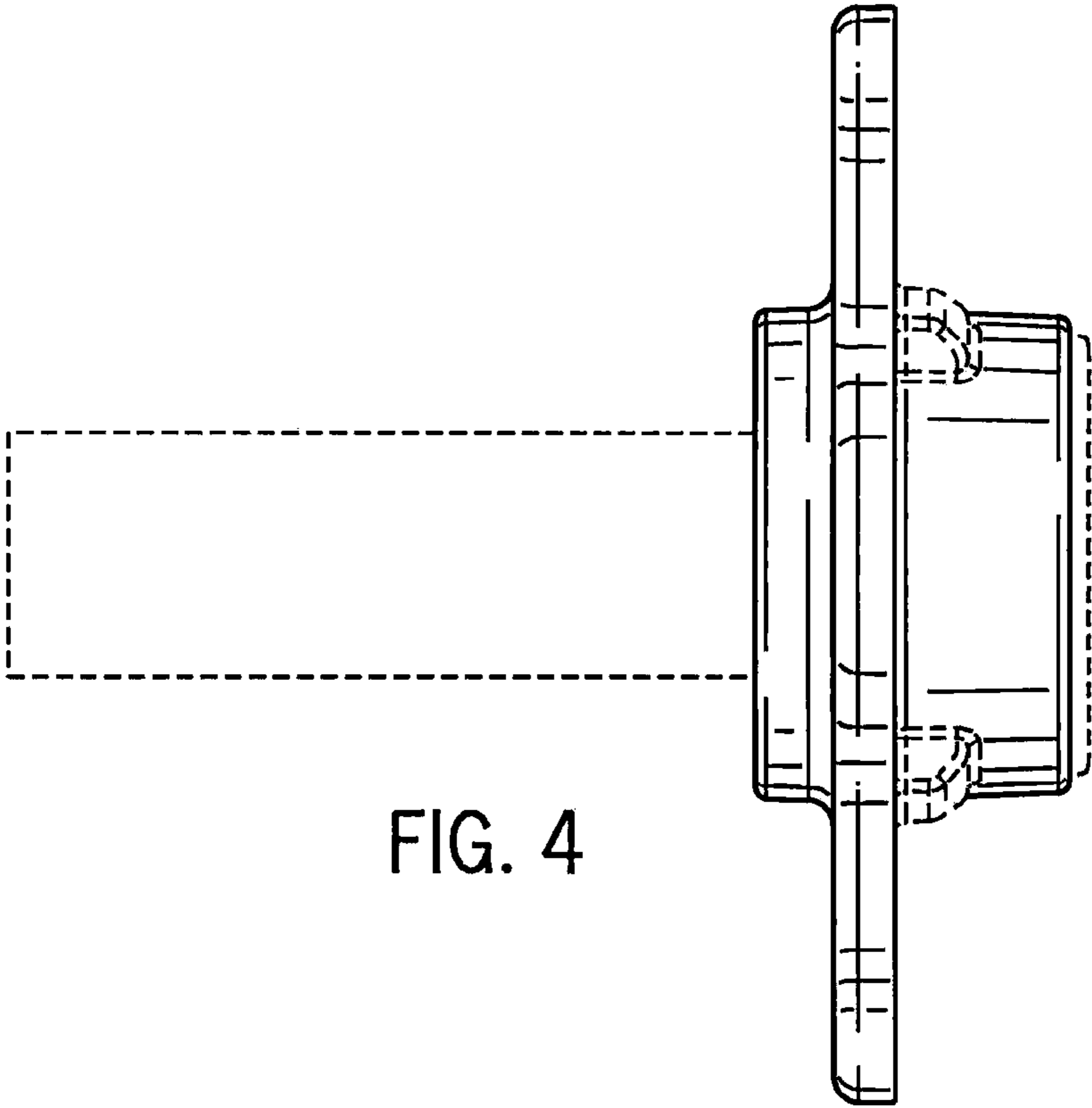


FIG. 4

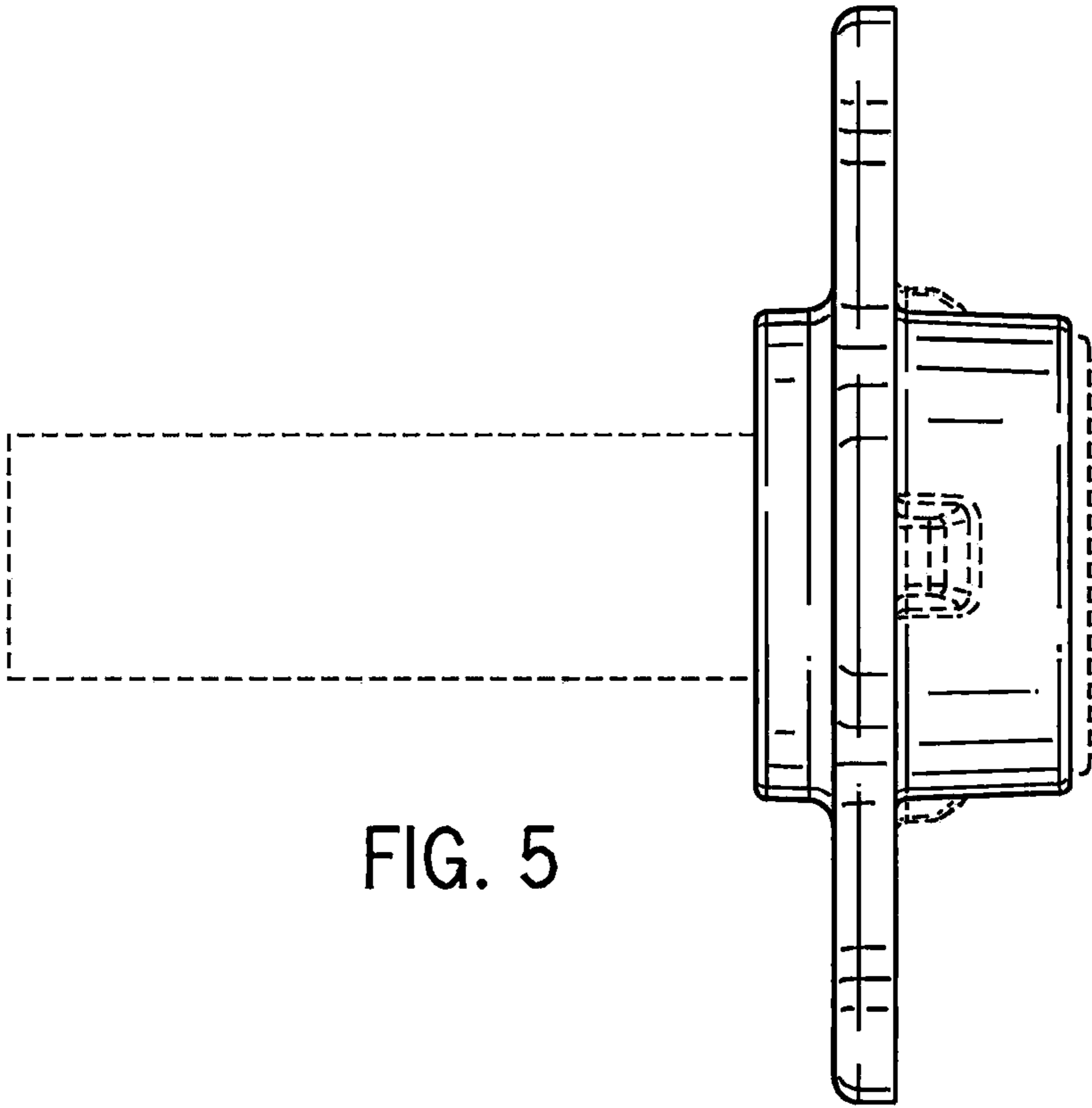


FIG. 5

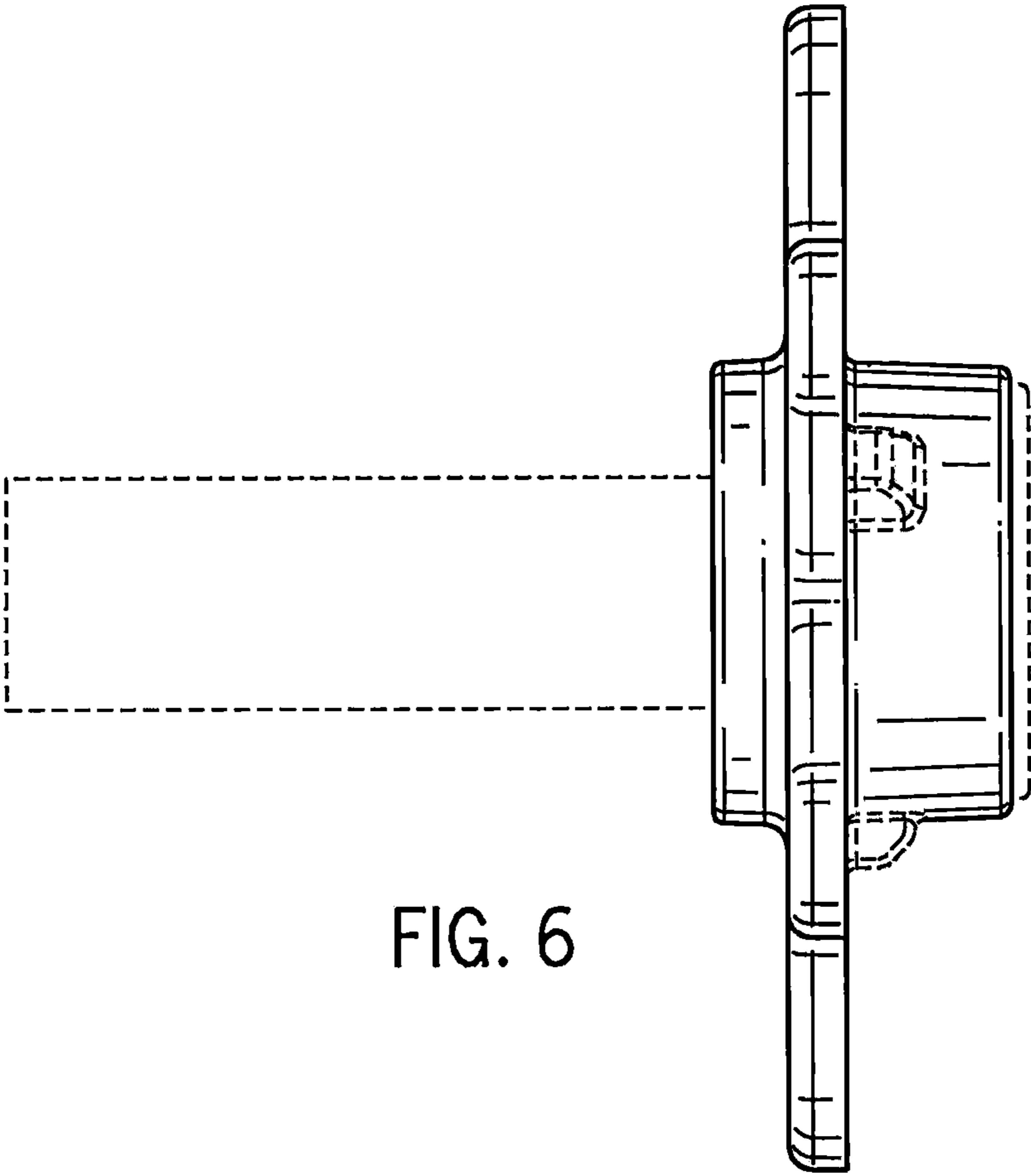


FIG. 6