



US00D719880S

(12) **United States Design Patent**  
**Juarez et al.**

(10) **Patent No.:** **US D719,880 S**  
(45) **Date of Patent:** **\*\* Dec. 23, 2014**

(54) **BICYCLE FRAME**  
(71) Applicant: **Specialized Bicycle Components, Inc.**,  
Morgan Hill, CA (US)  
(72) Inventors: **Jeffrey D. Juarez**, Santa Cruz, CA (US);  
**Dennis J. Wroblewski**, San Jose, CA  
(US); **David Allen**, Soquel, CA (US)  
(73) Assignee: **Specialized Bicycle Components, Inc.**,  
Morgan Hill, CA (US)  
(\*\*) Term: **14 Years**

7,052,029 B2 5/2006 Chamberlain  
7,216,882 B2 5/2007 Chamberlain  
7,267,351 B2 9/2007 Chamberlain et al.  
7,377,535 B2 5/2008 Chamberlain  
7,506,528 B2 3/2009 Chamberlain  
D593,457 S 6/2009 Talavasek et al.  
7,891,688 B2 2/2011 Chamberlain  
D635,894 S \* 4/2011 Argote Vivar ..... D12/111  
D637,526 S \* 5/2011 Choi et al. .... D12/111  
D637,527 S \* 5/2011 Choi et al. .... D12/111  
7,938,425 B2 5/2011 Chamberlain  
7,954,837 B2 6/2011 Takavasek  
7,963,541 B2 6/2011 Chamberlain  
8,002,092 B2 8/2011 McAndrews  
8,006,993 B1 8/2011 Chamberlain

(Continued)

(21) Appl. No.: **29/459,851**  
(22) Filed: **Jul. 3, 2013**  
(51) **LOC (10) Cl.** ..... **12-11**  
(52) **U.S. Cl.**  
USPC ..... **D12/111**  
(58) **Field of Classification Search**  
USPC ..... 280/284, 281.1, 274, 288, 285, 220,  
280/221, 288.2, 287, 278, 283, 288.3, 282,  
280/279, 275, 288.4, 124.134, 276, 240,  
280/256, 286, 265, 268, 271, 257, 210;  
29/434, 428, 897.2; 474/116; D12/111,  
D12/108, 124, 169, 113, 112; 156/173, 294;  
224/425, 426, 419; 301/124.2;  
180/227, 68.5, 220; D21/432, 419,  
D21/663, 435, 662, 538; 74/594.3, 527;  
16/44; 220/737  
See application file for complete search history.

**OTHER PUBLICATIONS**

Co-pending U.S. Appl. No. 29/459,849, filed Jul. 3, 2013.

*Primary Examiner* — Robert M Spear  
*Assistant Examiner* — Ryan Harvey

(74) *Attorney, Agent, or Firm* — Michael Best & Friedrich LLP

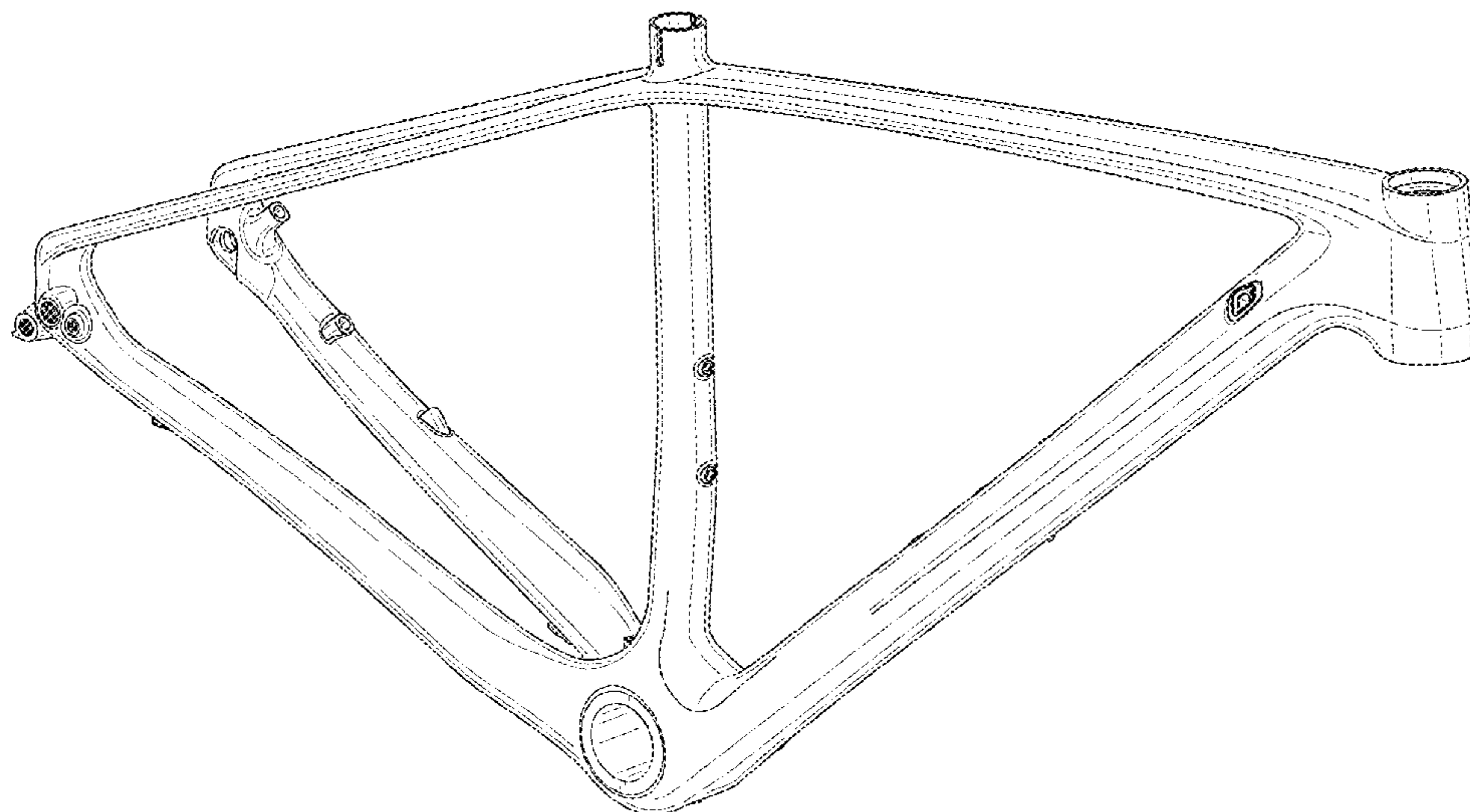
(57) **CLAIM**  
We claim the ornamental design for a bicycle frame, as shown and described.

**DESCRIPTION**

FIG. 1 is a perspective view of a bicycle frame embodying the present invention.  
FIG. 2 is a front view of the bicycle frame of FIG. 1.  
FIG. 3 is a rear view of the bicycle frame of FIG. 1.  
FIG. 4 is a right side view of the bicycle frame of FIG. 1.  
FIG. 5 is a left side view of the bicycle frame of FIG. 1.  
FIG. 6 is a top view of the bicycle frame of FIG. 1; and,  
FIG. 7 is a bottom view of the bicycle frame of FIG. 1.

**1 Claim, 7 Drawing Sheets**

(56) **References Cited**  
**U.S. PATENT DOCUMENTS**  
D486,424 S \* 2/2004 Sagan ..... D12/111  
6,712,373 B2 3/2004 Chamberlain et al.  
6,953,202 B2 10/2005 Chamberlain et al.



(56)

**References Cited**

U.S. PATENT DOCUMENTS

8,075,010 B2 *	12/2011	Talavasek et al. ....	280/288	8,459,681 B2	6/2013	Chamberlain	
8,132,824 B2	3/2012	Sloan et al.		8,480,064 B2	7/2013	Talavasek	
8,167,327 B2	5/2012	Chamberlain		8,496,262 B2	7/2013	Callahan et al.	
D662,011 S *	6/2012	D'Aluisio et al. ....	D12/111	D689,407 S *	9/2013	Kim .....	D12/111
8,197,371 B2	6/2012	D'Aluisio		D693,740 S *	11/2013	Eagleman et al. ....	D12/111
8,342,302 B2	1/2013	McAndrews et al.		D714,878 S *	10/2014	Bean et al. ....	D21/435
8,403,350 B2 *	3/2013	Talavasek et al. ....	280/281.1	8,857,841 B2 *	10/2014	Lund et al. ....	280/283
8,408,574 B2	4/2013	Callahan et al.		2009/0267317 A1 *	10/2009	Yang .....	280/283
8,430,417 B1	4/2013	Galson		2010/0096832 A1 *	4/2010	Pinarello .....	280/281.1
8,439,383 B2	5/2013	Talavasek		2011/0233222 A1 *	9/2011	Bethlenfalvy .....	220/737
8,454,044 B2	6/2013	Chubbuck et al.		2012/0169028 A1 *	7/2012	Lund et al. ....	280/281.1
8,459,680 B2	6/2013	Chamberlain		2012/0200060 A1 *	8/2012	D'Aluisio et al. ....	280/281.1
				2013/0076001 A1 *	3/2013	D'Aluisio .....	280/281.1
				2013/0300085 A1 *	11/2013	Zecchetto .....	280/281.1
				2014/0054873 A1 *	2/2014	Cocalis .....	280/281.1

\* cited by examiner

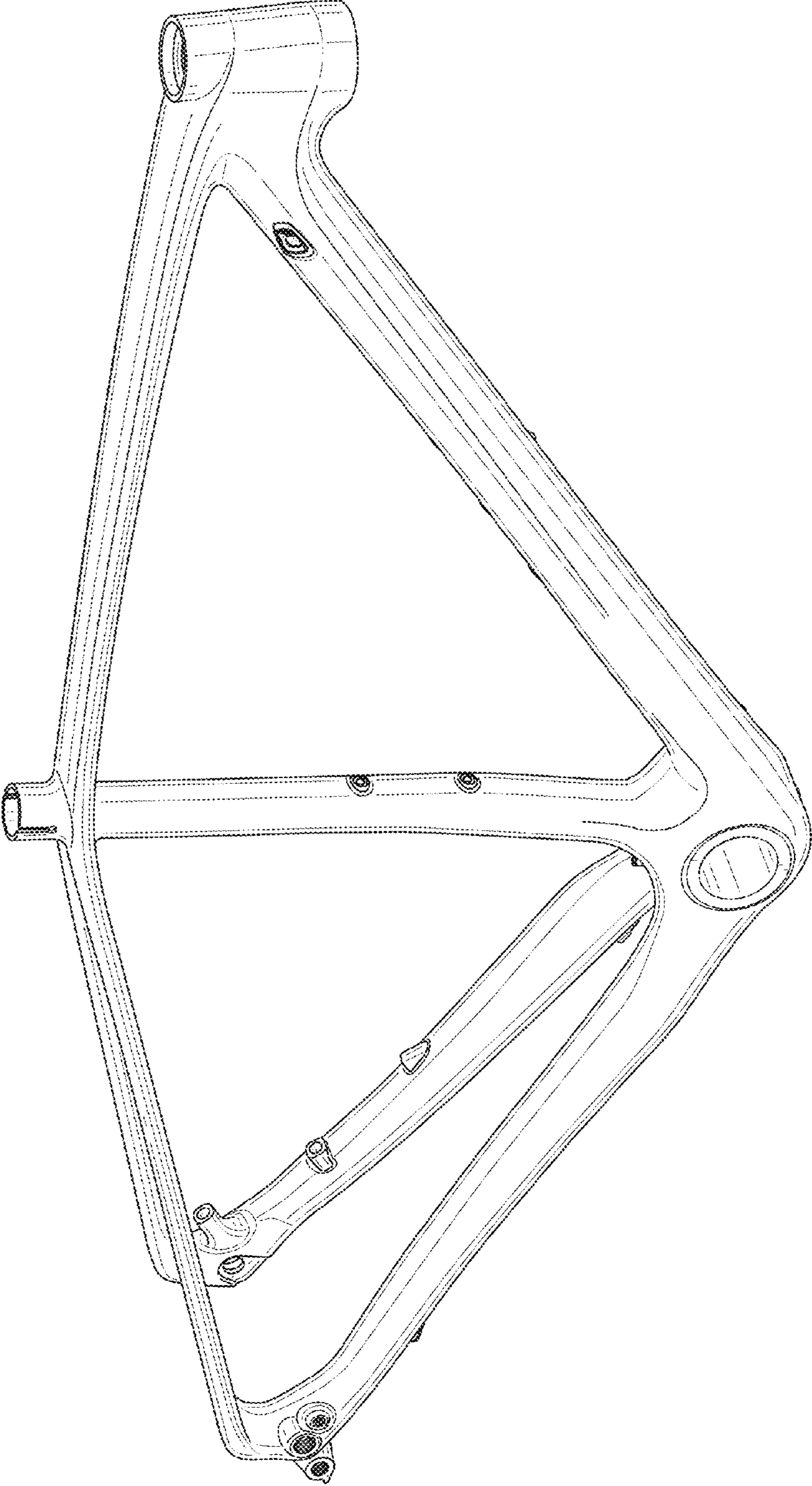


FIG. 1

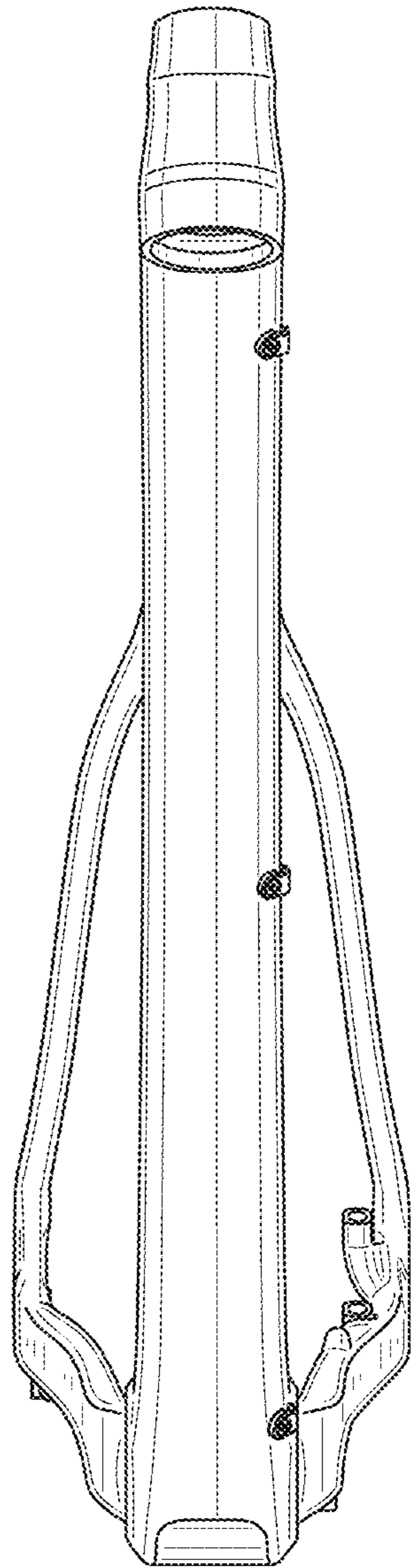


FIG. 2

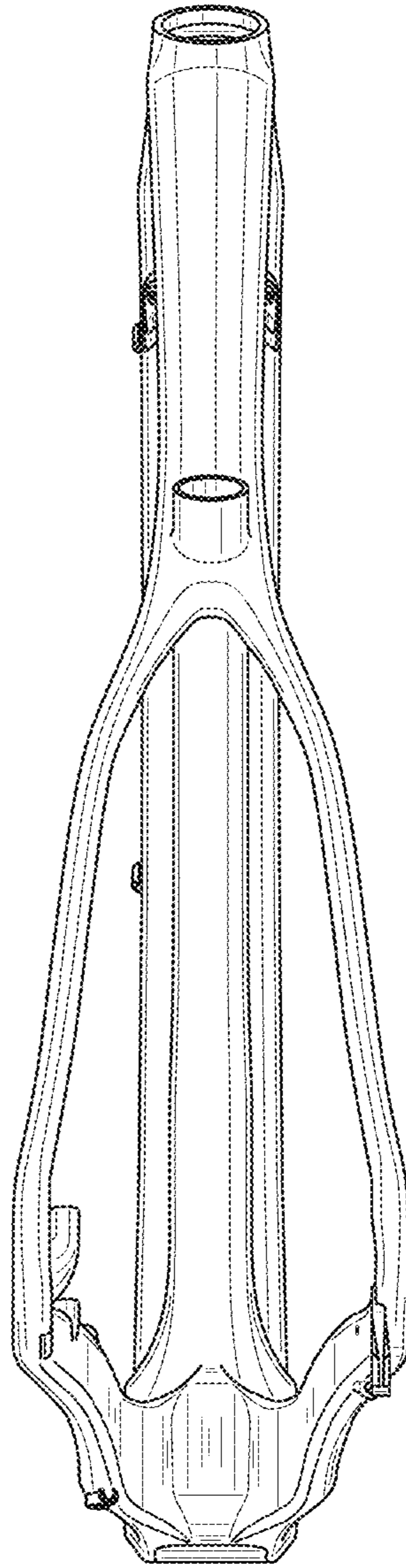


FIG. 3

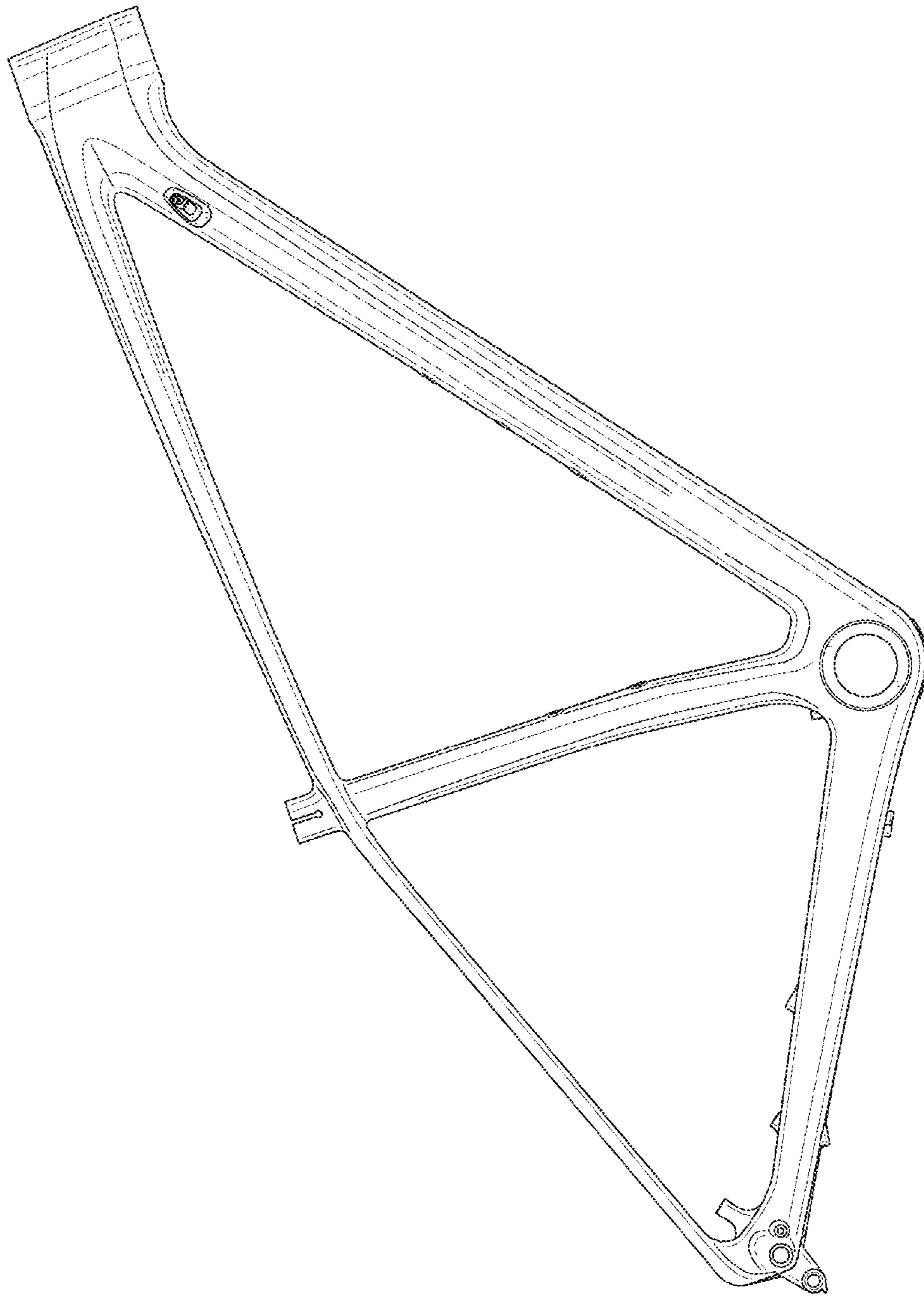


FIG. 4

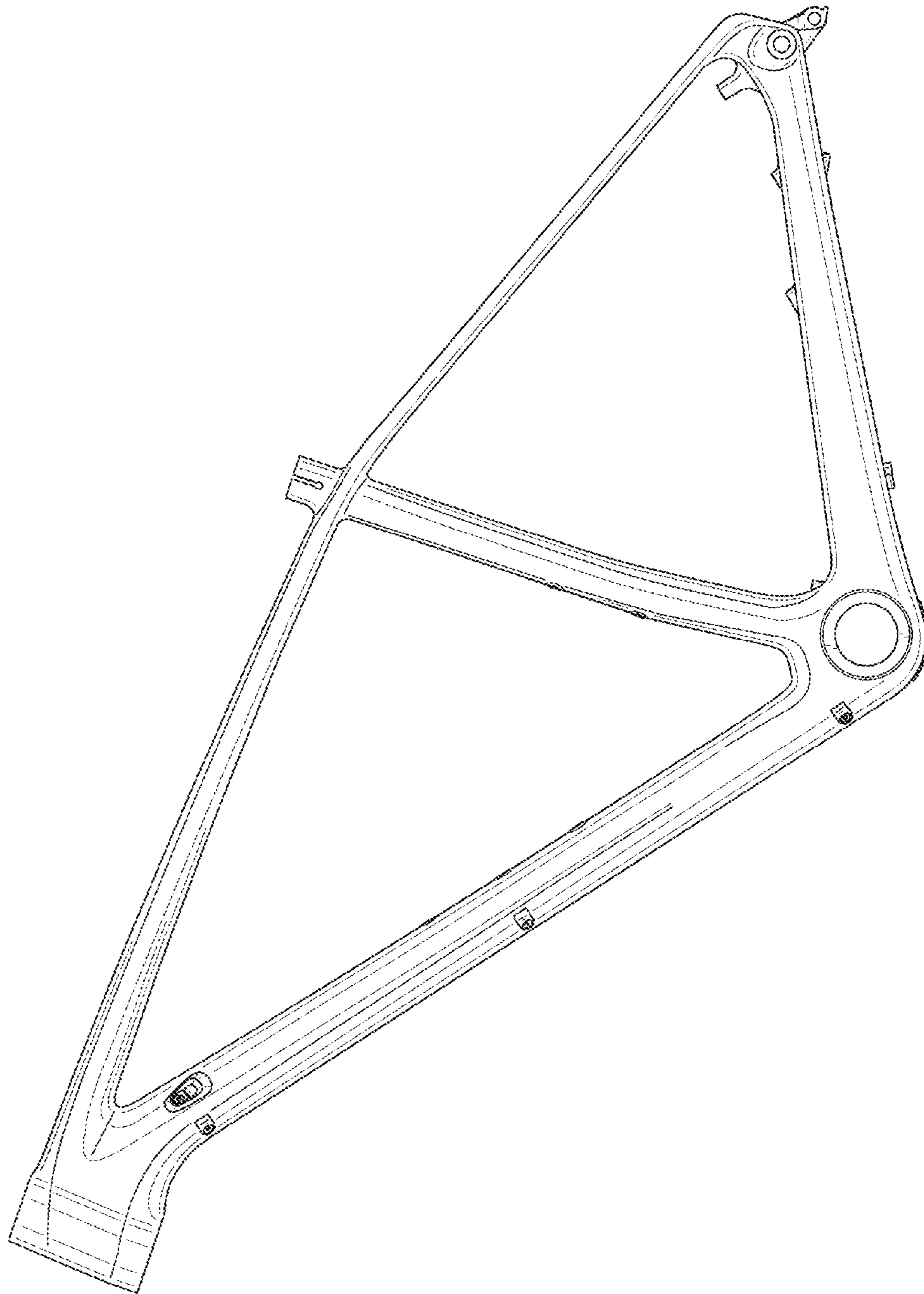


FIG. 5

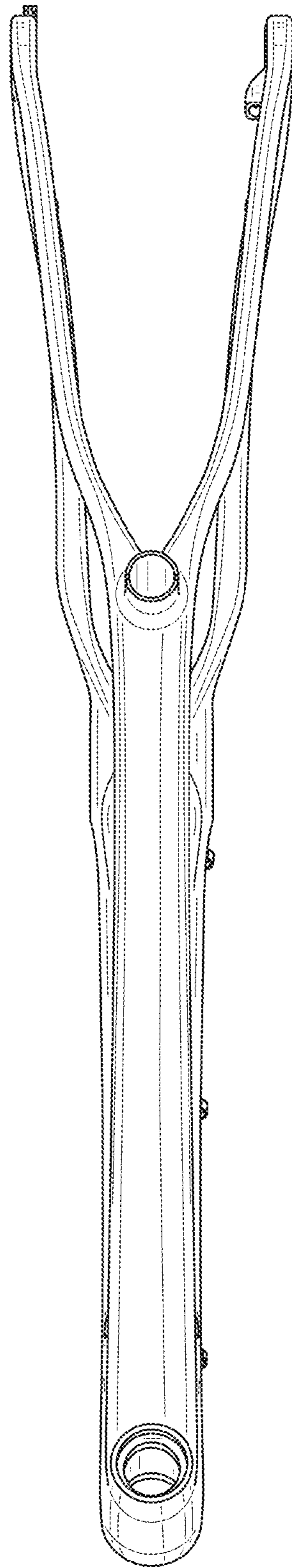


FIG. 6



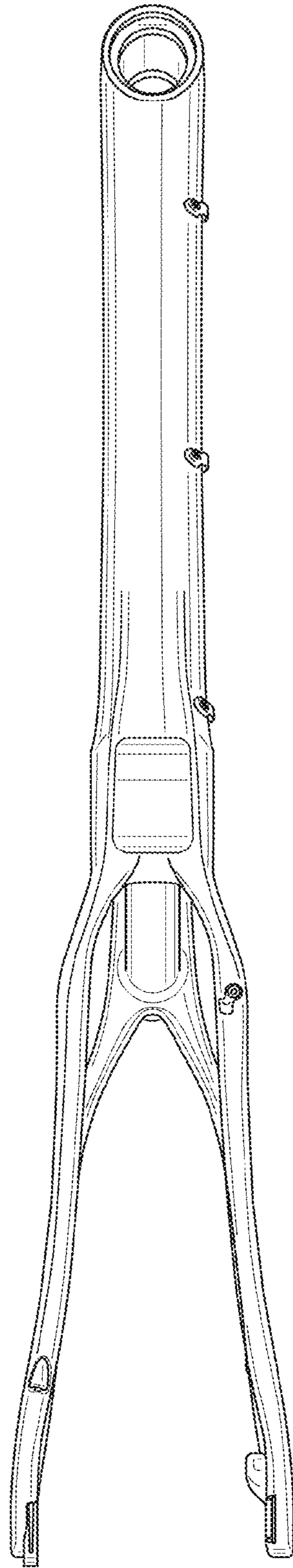


FIG. 7