



US00D719876S

(12) **United States Design Patent**
Tsutamori

(10) **Patent No.:** **US D719,876 S**
(45) **Date of Patent:** **** Dec. 23, 2014**

(54) **AUTOMOBILE AND/OR OTHER REPLICAS**

(71) Applicant: **Honda Motor Co., Ltd.**, Tokyo (JP)

(72) Inventor: **Daisuke Tsutamori**, Wako (JP)

(73) Assignee: **Honda Motor Co., Ltd.**, Tokyo (JP)

(**) Term: **14 Years**

(21) Appl. No.: **29/470,943**

(22) Filed: **Oct. 25, 2013**

(30) **Foreign Application Priority Data**

Apr. 26, 2013 (JP) 2013-009584

(51) **LOC (10) Cl.** **12-08**

(52) **U.S. Cl.**
USPC **D12/91**

(58) **Field of Classification Search**
CPC B62D 35/00
USPC D12/86, 90-92; D21/421, 433, 434;
296/181.1, 181.5
See application file for complete search history.

(56) **References Cited**

U.S. PATENT DOCUMENTS

D591,647 S * 5/2009 Wang et al. D12/91
D605,557 S * 12/2009 Murakami D12/91
D605,558 S * 12/2009 Koman et al. D12/91

D605,979 S * 12/2009 Sahs D12/91
D638,752 S * 5/2011 Date et al. D12/91
D648,247 S * 11/2011 Nemoto D12/91
D691,515 S * 10/2013 Tada et al. D12/91
D692,347 S * 10/2013 Tada et al. D12/91
D695,150 S * 12/2013 Tsutamori D12/91
D696,156 S * 12/2013 Campbell et al. D12/91
D696,607 S * 12/2013 Campbell et al. D12/91

* cited by examiner

Primary Examiner — Melody N Brown

(74) *Attorney, Agent, or Firm* — Westerman, Hattori,
Daniels & Adrian, LLP

(57) **CLAIM**

The ornamental design for an automobile and/or other replicas, as shown and described.

DESCRIPTION

FIG. 1 is a front elevational view of the automobile and/or other replicas showing my new design;
FIG. 2 is a rear elevational view thereof;
FIG. 3 is a top plan view thereof;
FIG. 4 is a right side elevational view thereof;
FIG. 5 is a left side elevational view thereof;
FIG. 6 is a front perspective view thereof as seen from the right side; and,
FIG. 7 is a rear perspective view thereof as seen from the right side.

The broken lines illustrate environmental structure only and form no part of the claimed design.

1 Claim, 4 Drawing Sheets

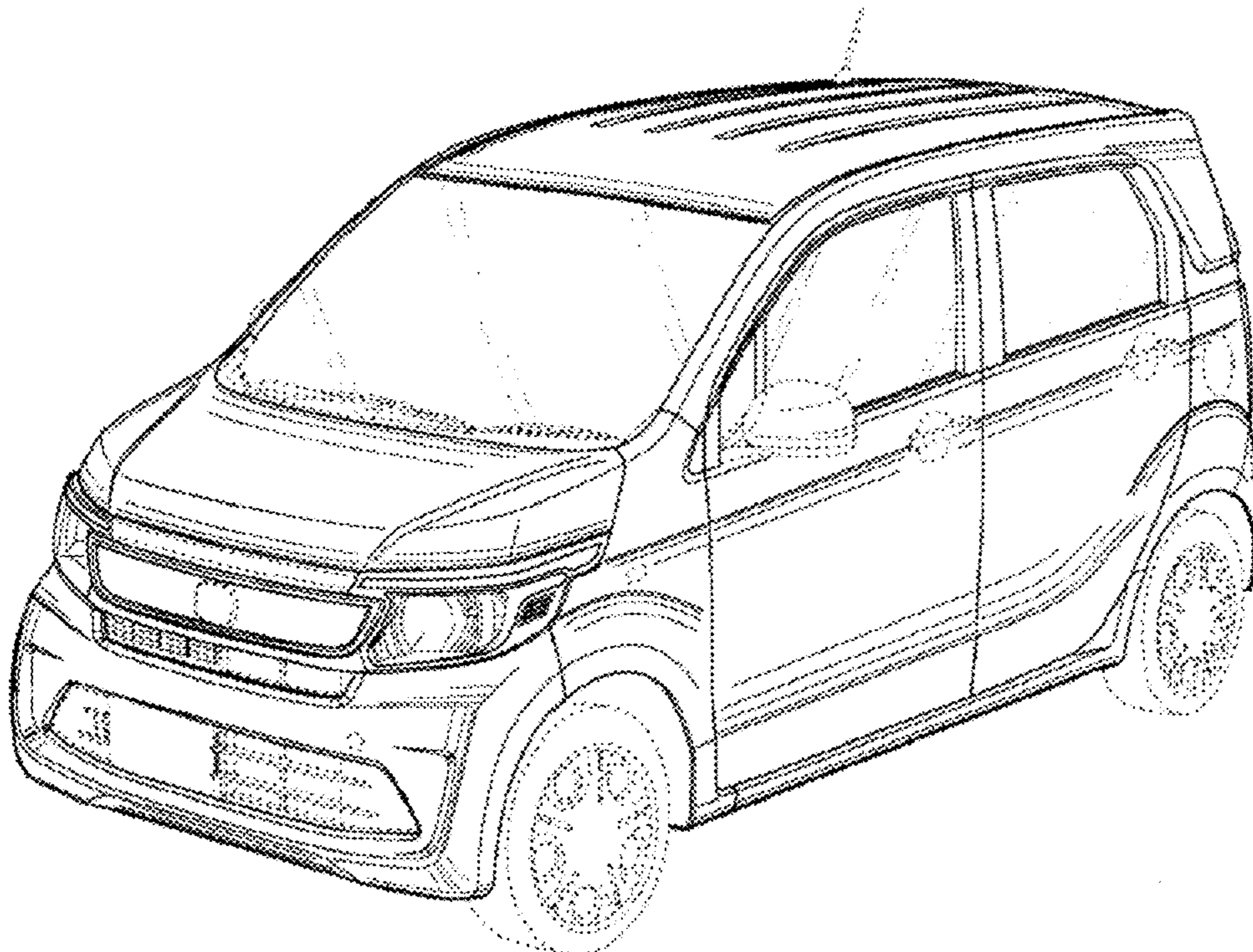


FIG. 1

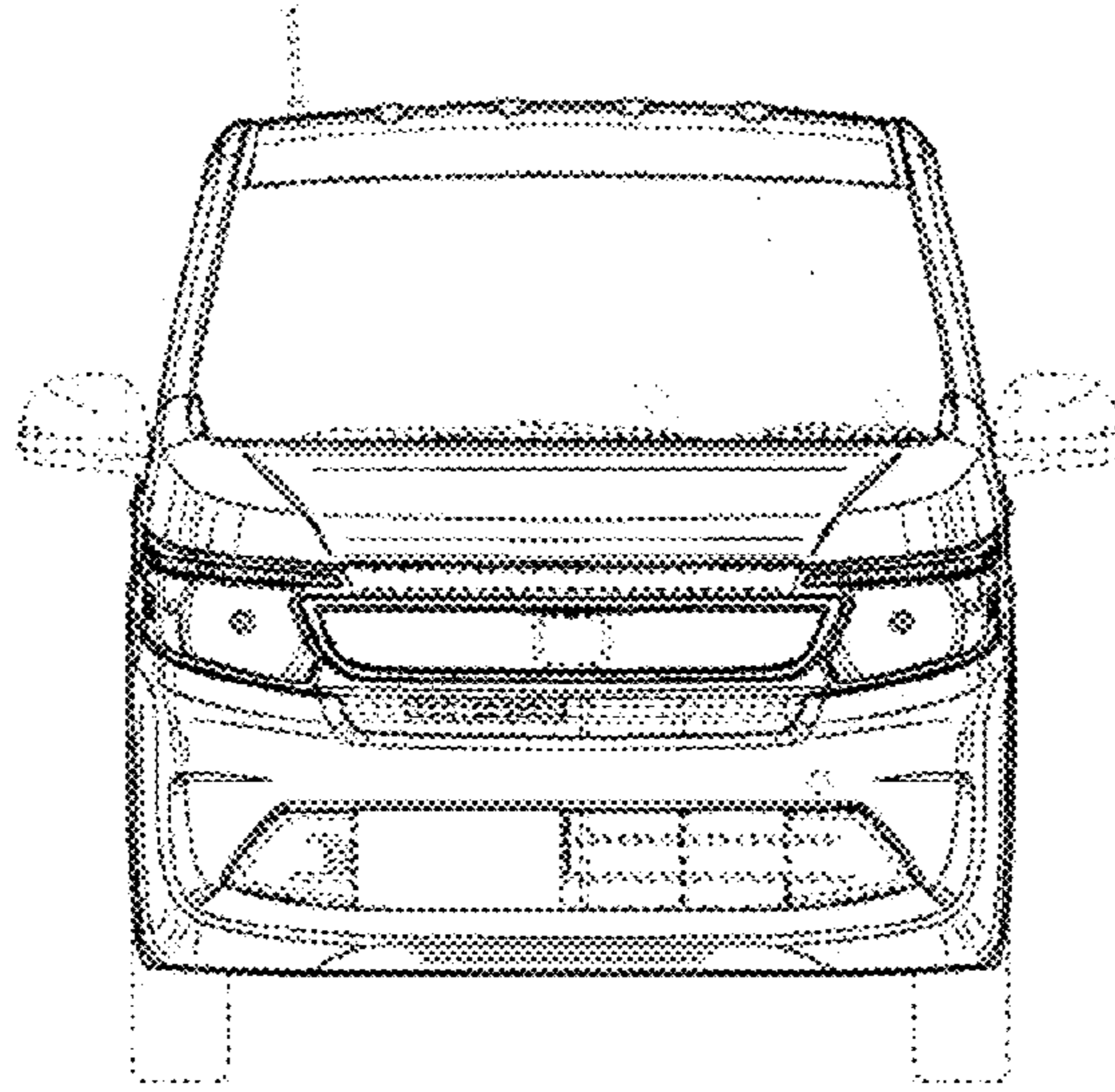


FIG. 2

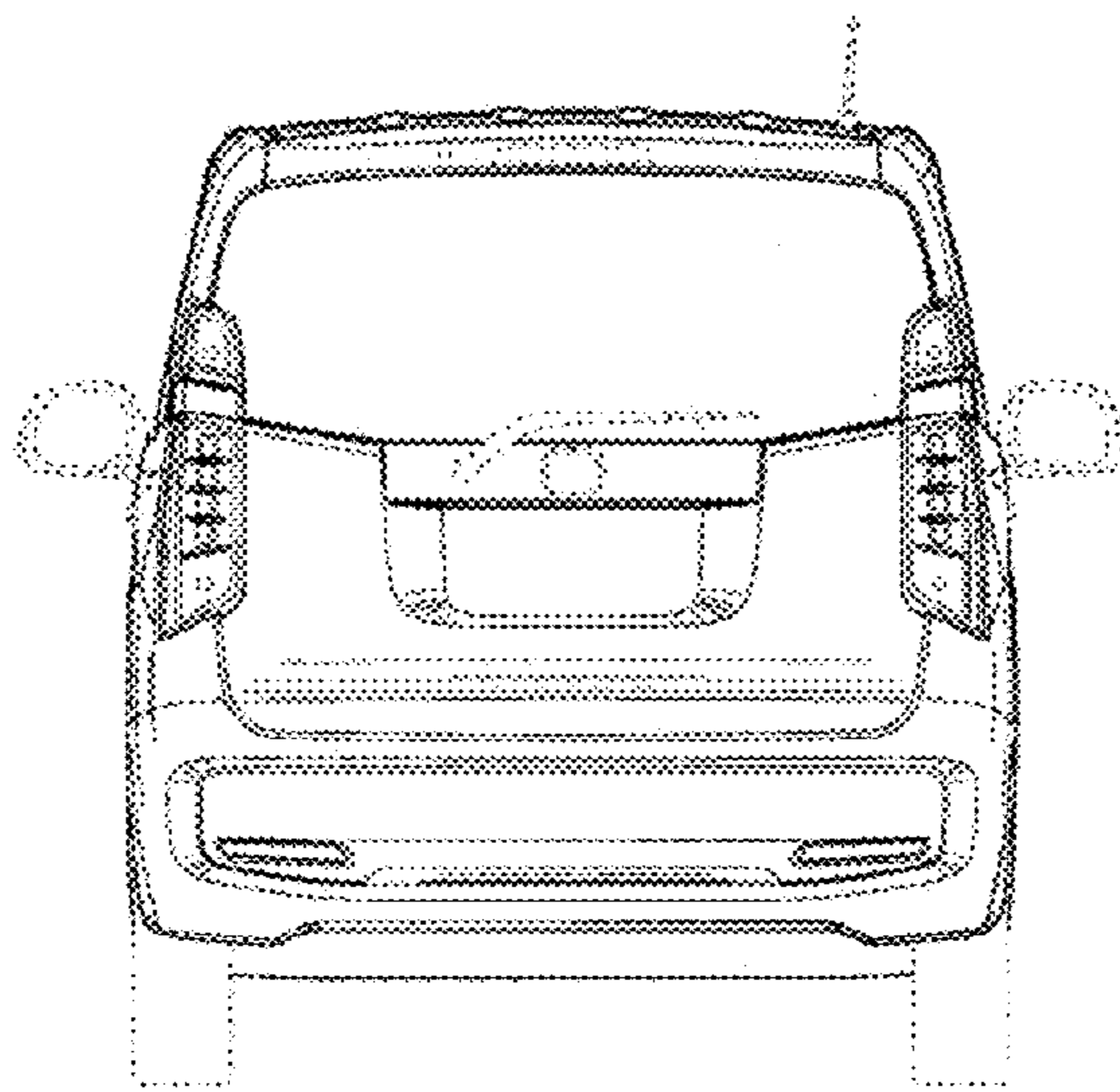


FIG.3

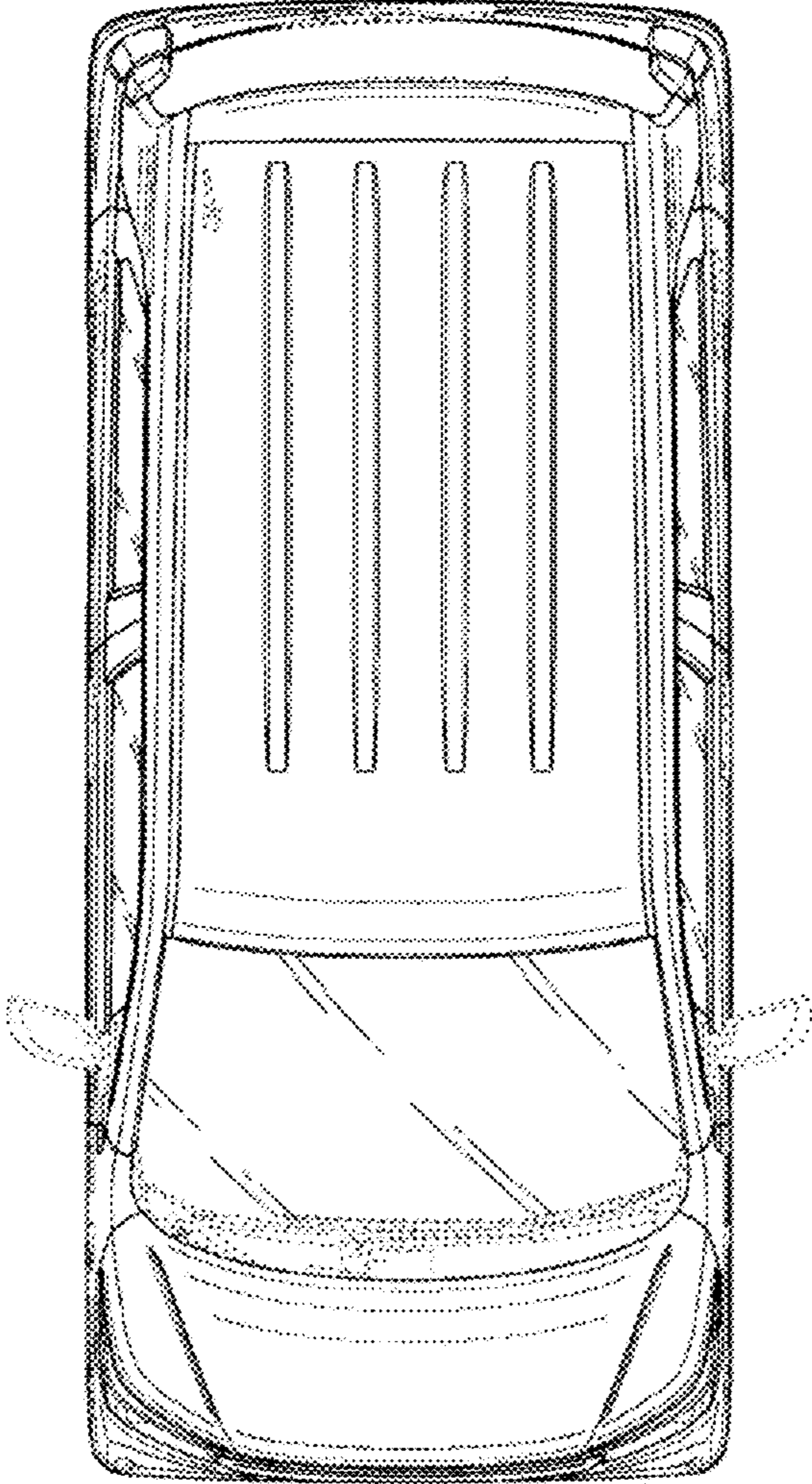


FIG.4

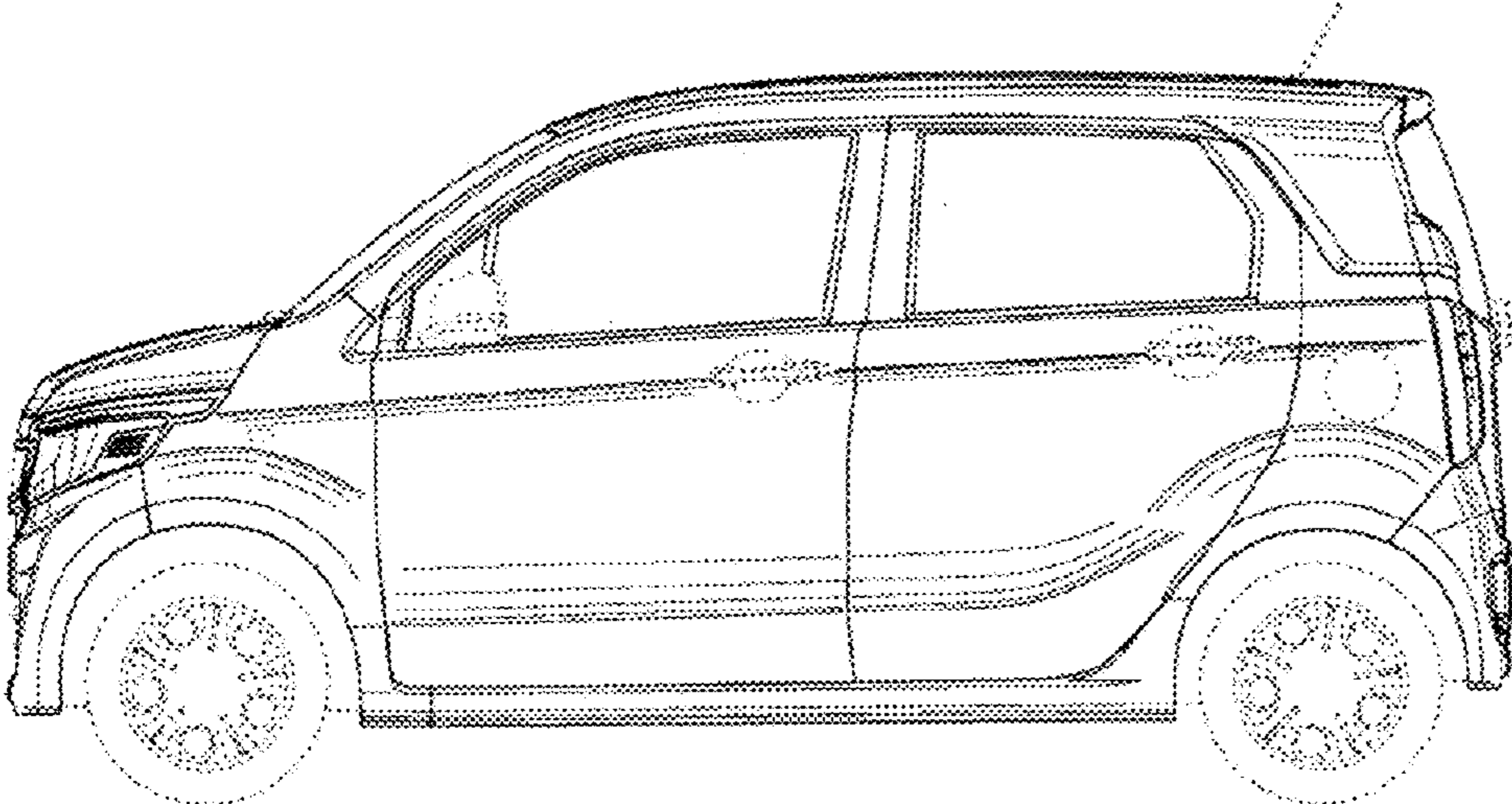


FIG.5

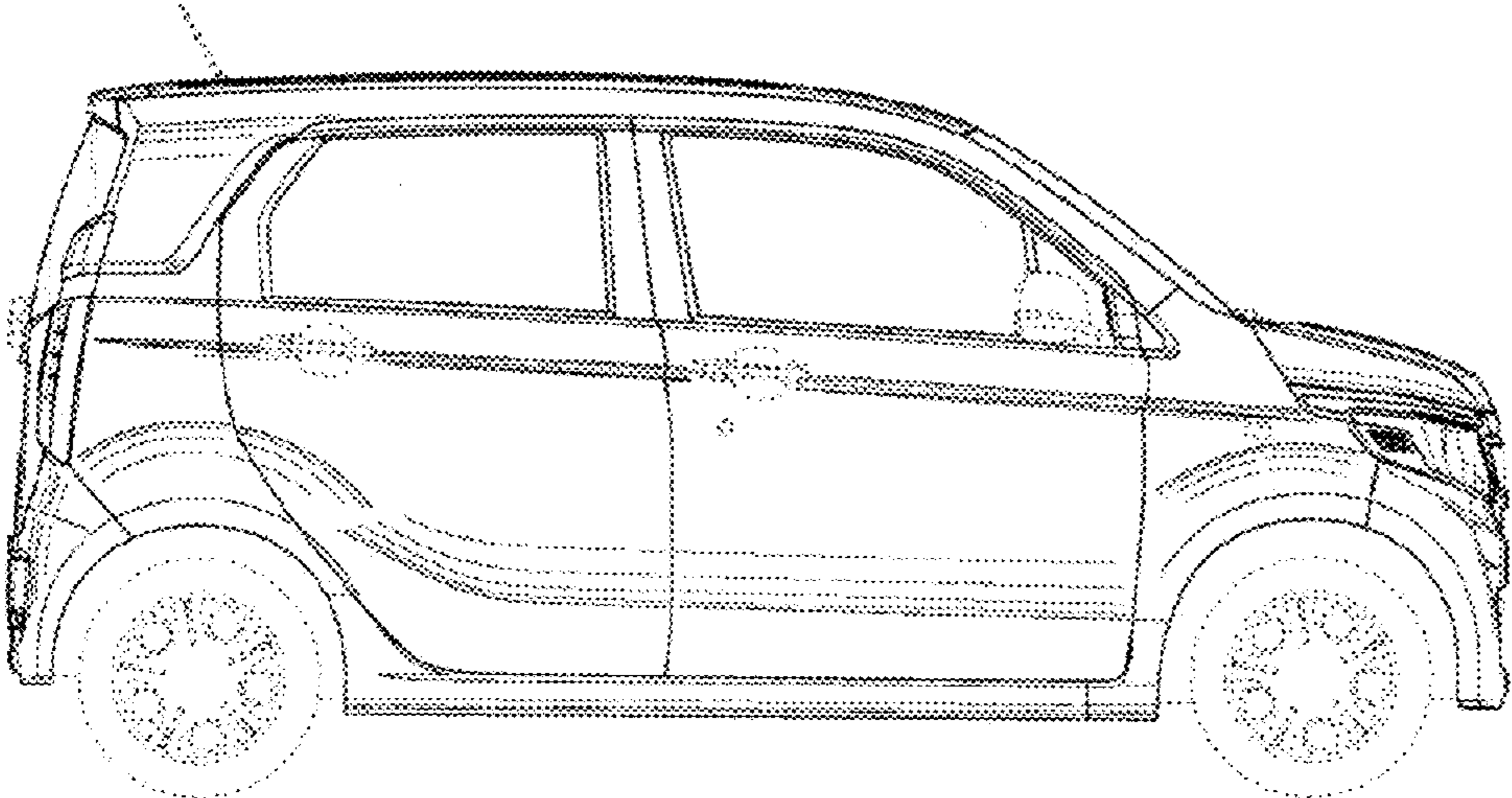


FIG.6

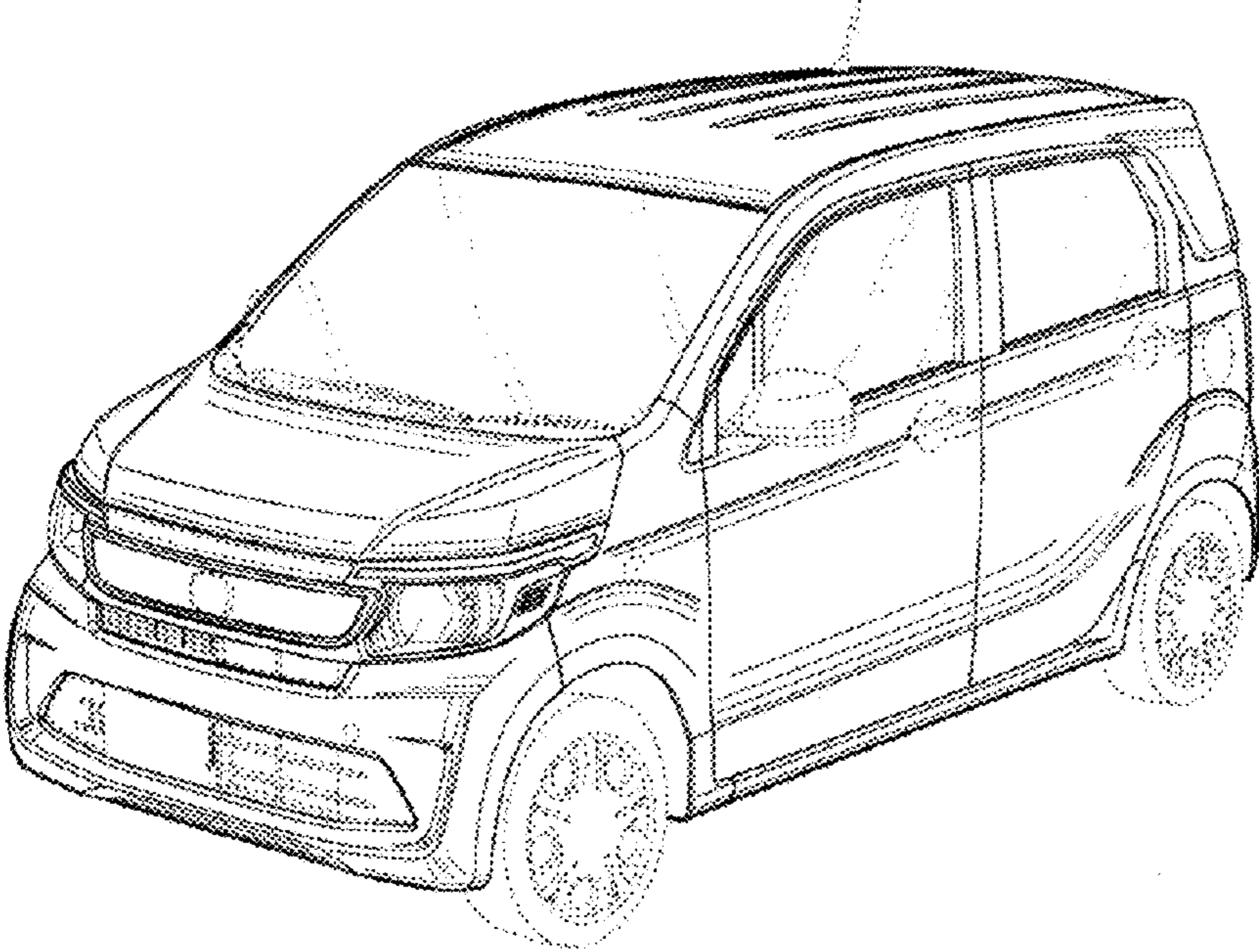


FIG.7

