



US00D719874S

(12) **United States Design Patent**
Nicolay et al.

(10) **Patent No.:** **US D719,874 S**

(45) **Date of Patent:** **** Dec. 23, 2014**

(54) **PLANT CONTAINER STABILIZER**

(71) Applicant: **Nicolay Family Enterprises, L.L.C.**,
Fairway, KS (US)

(72) Inventors: **Kenneth M. Nicolay**, Fairway, KS (US);
Lawrence E. Guerra, Mission, KS (US)

(73) Assignee: **Nicolay Family Enterprises, L.L.C.**,
Fairway, KS (US)

(**) Term: **14 Years**

(21) Appl. No.: **29/493,100**

(22) Filed: **Jun. 5, 2014**

Related U.S. Application Data

(62) Division of application No. 29/406,969, filed on Nov. 21, 2011, now Pat. No. Des. 709,404.

(51) **LOC (10) Cl.** **11-02**

(52) **U.S. Cl.**
USPC **D11/164**

(58) **Field of Classification Search**
USPC D7/6, 14, 15; D9/220, 140, 150, 154,
D9/216, 243, 248; 229/1.5 B, 3.5 R;
D11/130.1, 143, 152; 47/40.5, 66-81;
248/519, 527

See application file for complete search history.

(56) **References Cited**

U.S. PATENT DOCUMENTS

267,296 A	11/1882	Wilder
2,044,192 A	6/1936	Templin, Jr.
4,083,146 A	4/1978	Brankovic
D255,339 S	6/1980	Christian
4,571,881 A	2/1986	Lathim
5,086,583 A	2/1992	Breen

5,125,184 A	6/1992	Anderson	
5,279,070 A	1/1994	Shreckhise et al.	
5,448,854 A *	9/1995	Hirsch et al.	47/65.6
D364,831 S	12/1995	Fillipp	
5,779,215 A	7/1998	DeMasi	
5,806,241 A	9/1998	Byland et al.	
5,836,105 A *	11/1998	Loosen	47/39
5,983,566 A	11/1999	Enderlein et al.	
6,691,460 B1	2/2004	Lee	
D635,890 S *	4/2011	Sutton-Russo	D11/164
2008/0078774 A1	4/2008	Hilbert	
2010/0170154 A1	7/2010	Ahn	

FOREIGN PATENT DOCUMENTS

FR	2555034	5/1985
FR	2655829	6/1991
FR	2807304	10/2001

* cited by examiner

Primary Examiner — T. Chase Nelson

Assistant Examiner — Michelle E Wilson

(74) *Attorney, Agent, or Firm* — Erickson Kernell
Derousseau & Kleypas, LLC

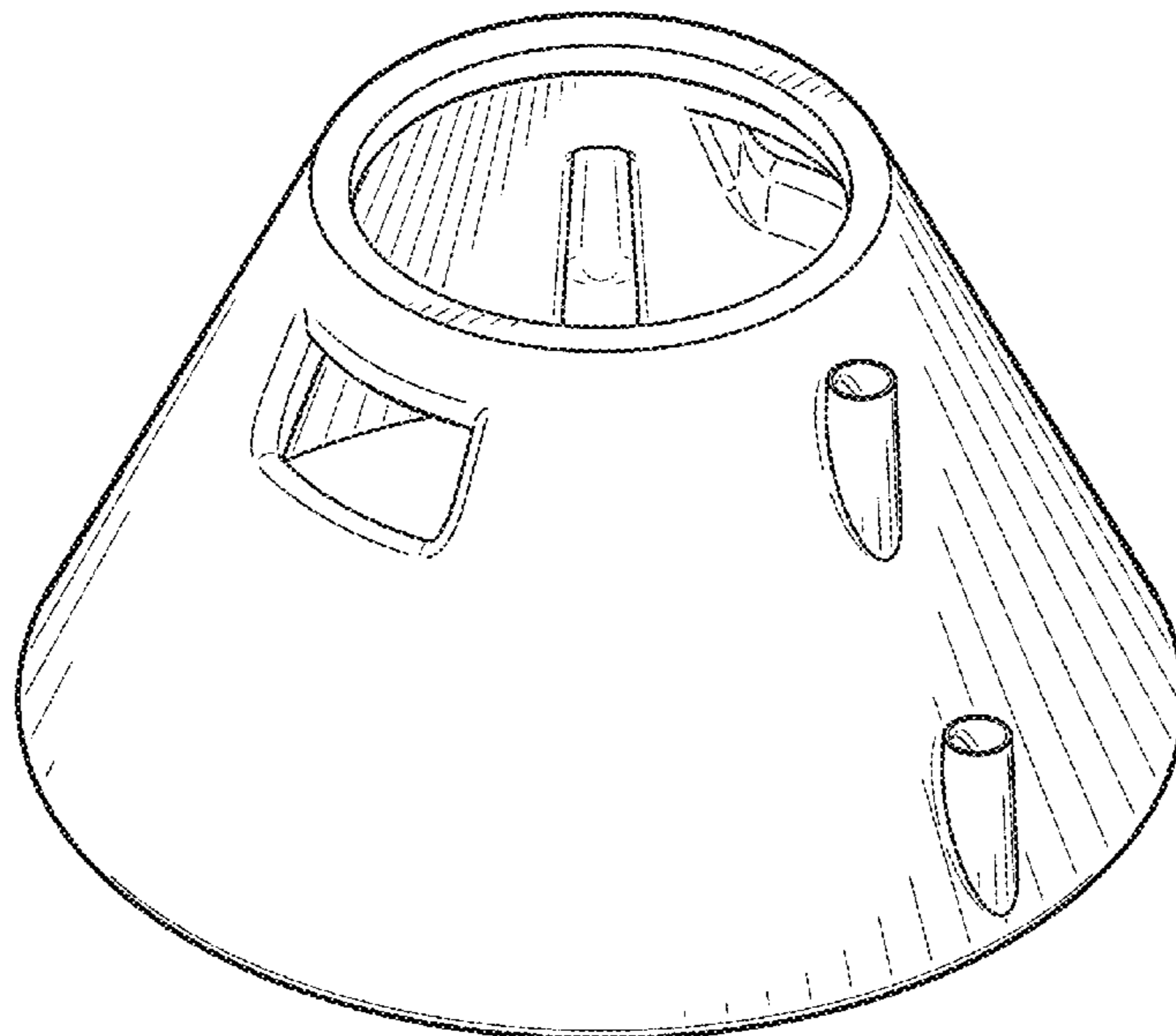
(57) **CLAIM**

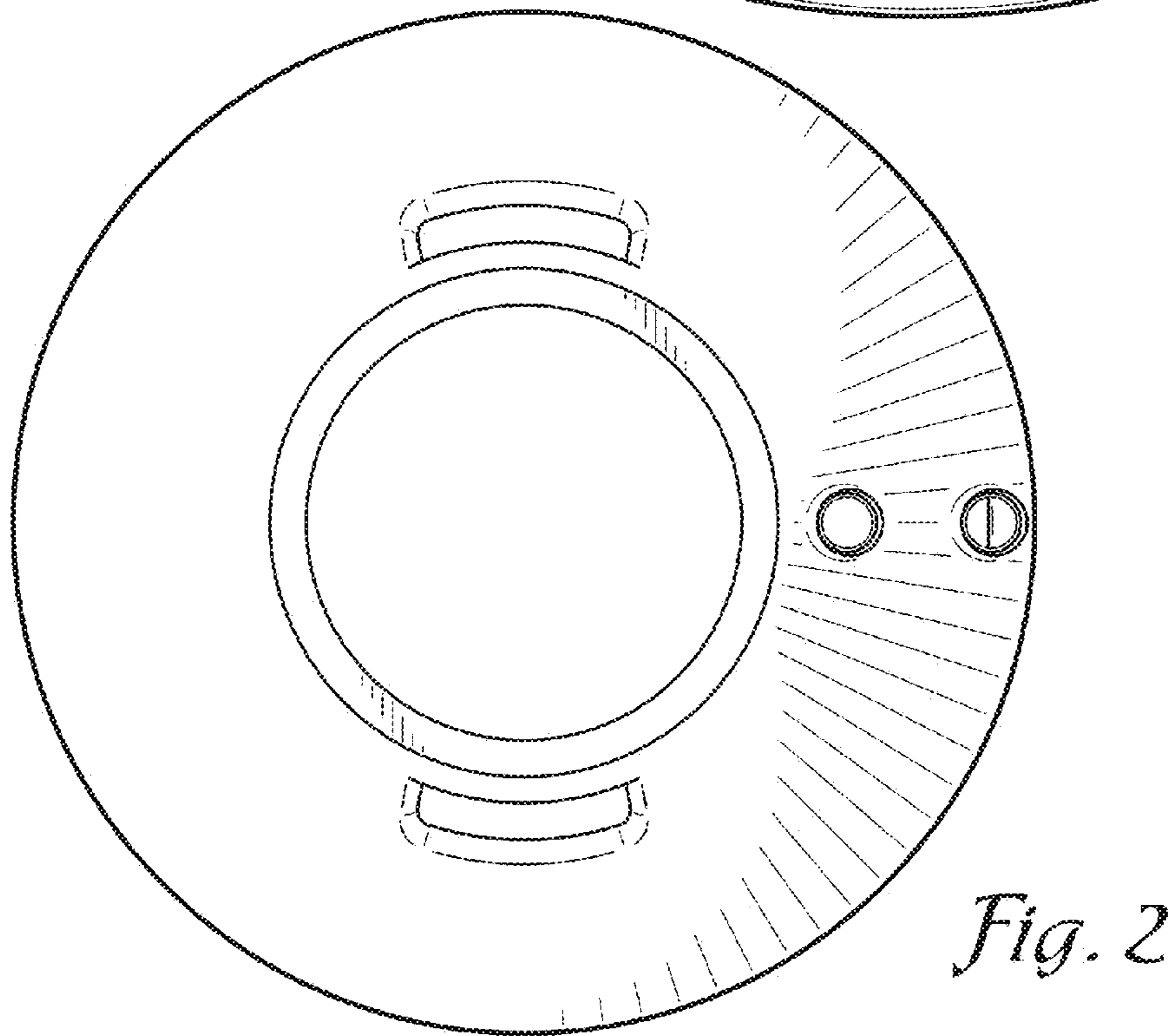
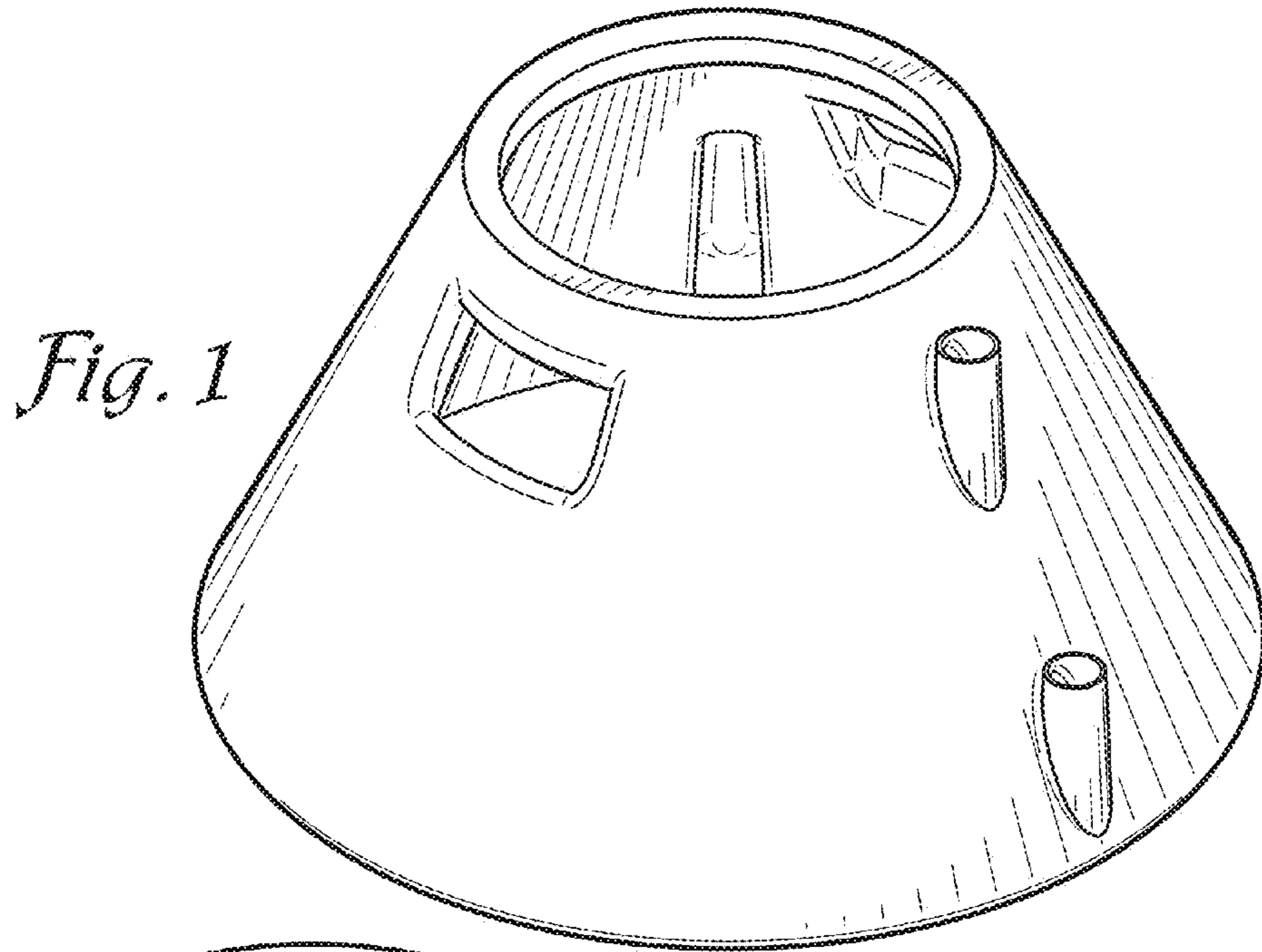
The ornamental design for a plant container stabilizer, as shown and described.

DESCRIPTION

FIG. 1 is a perspective view of a plant container stabilizer according to the present invention;
FIG. 2 is a top plan view thereof;
FIG. 3 is a right side view thereof, the left side view being a mirror image;
FIG. 4 is a front view thereof;
FIG. 5 is a bottom plan view thereof; and,
FIG. 6 is a rear view thereof.

1 Claim, 3 Drawing Sheets





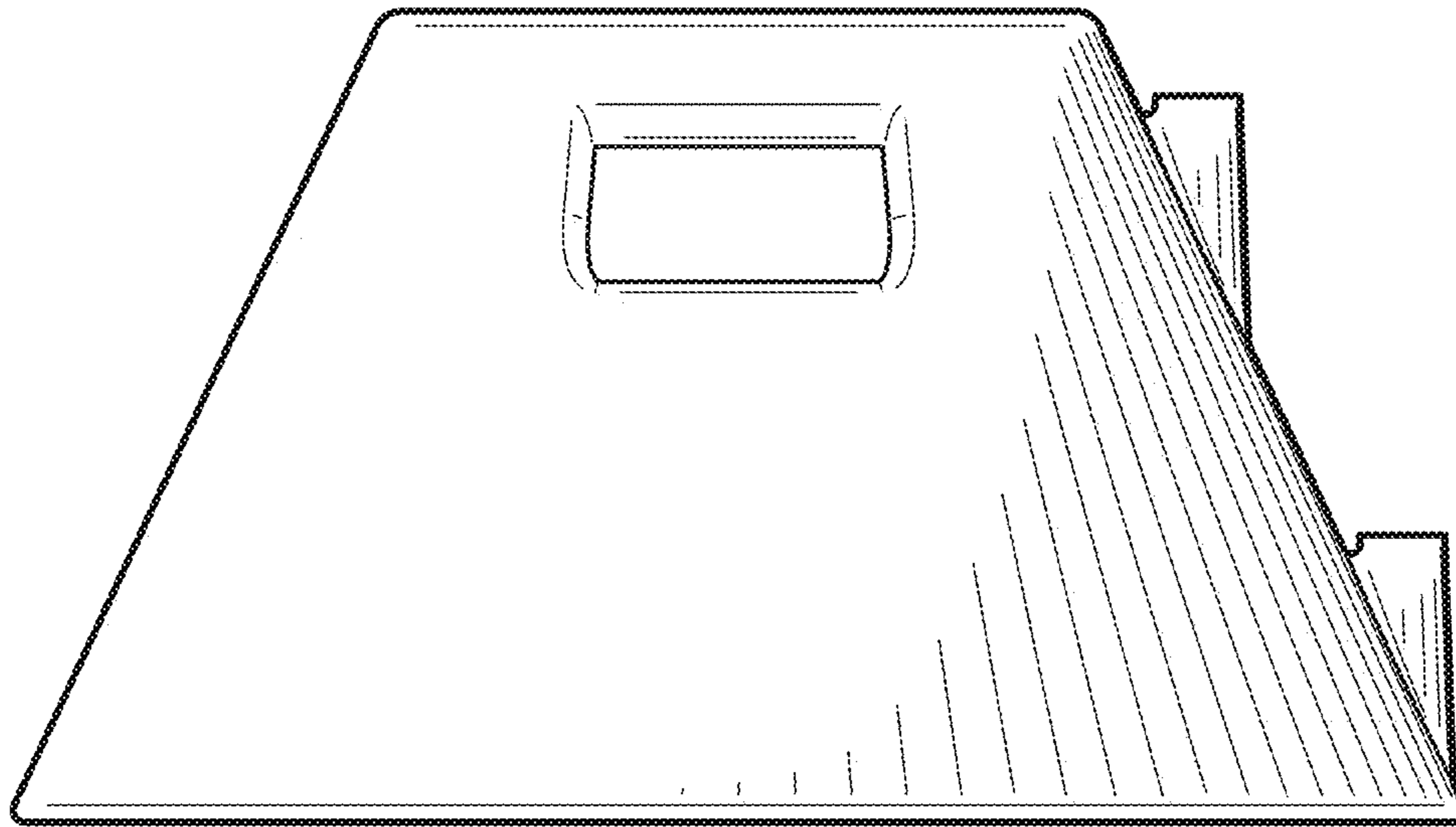


Fig. 3

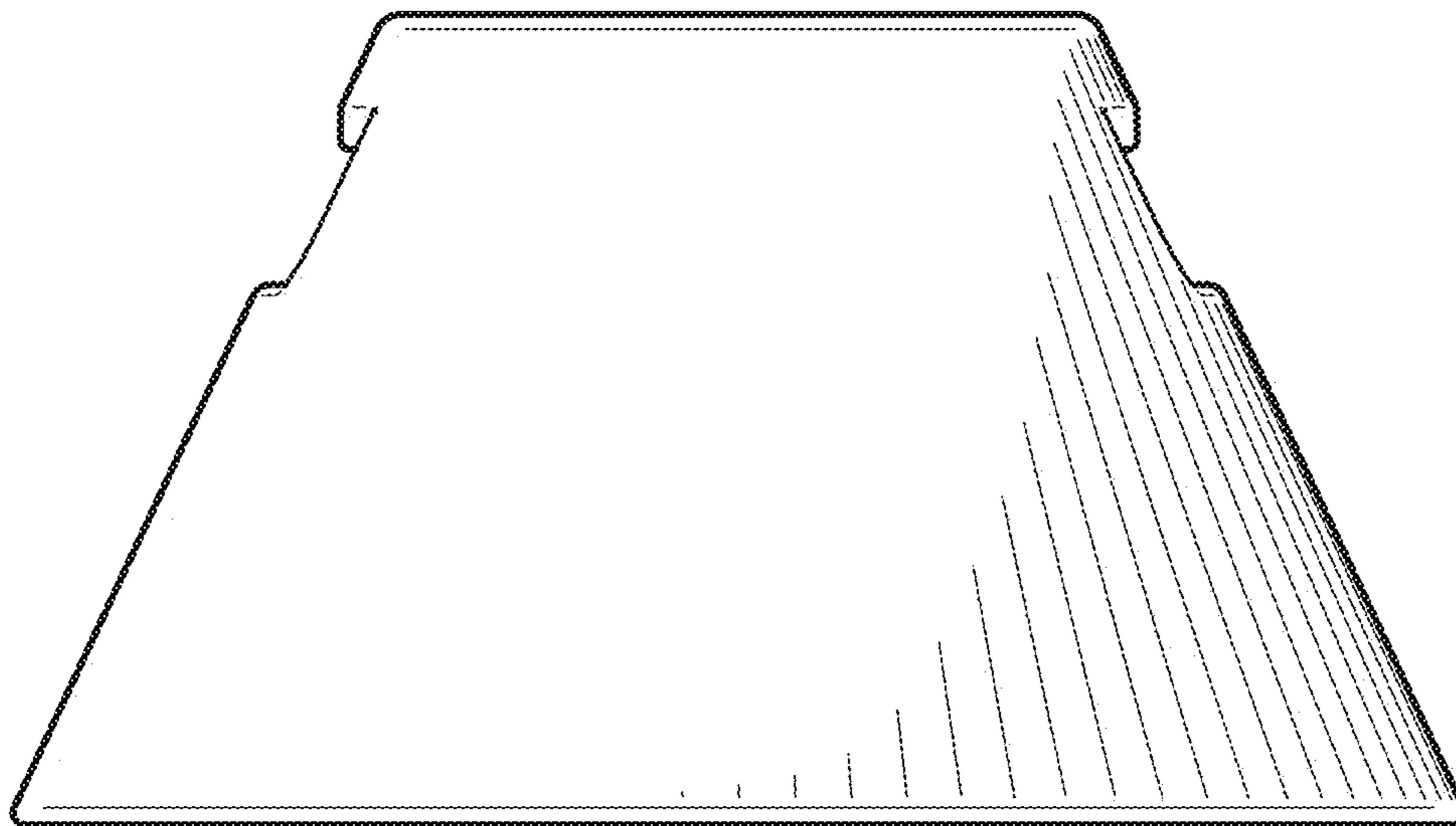


Fig. 4

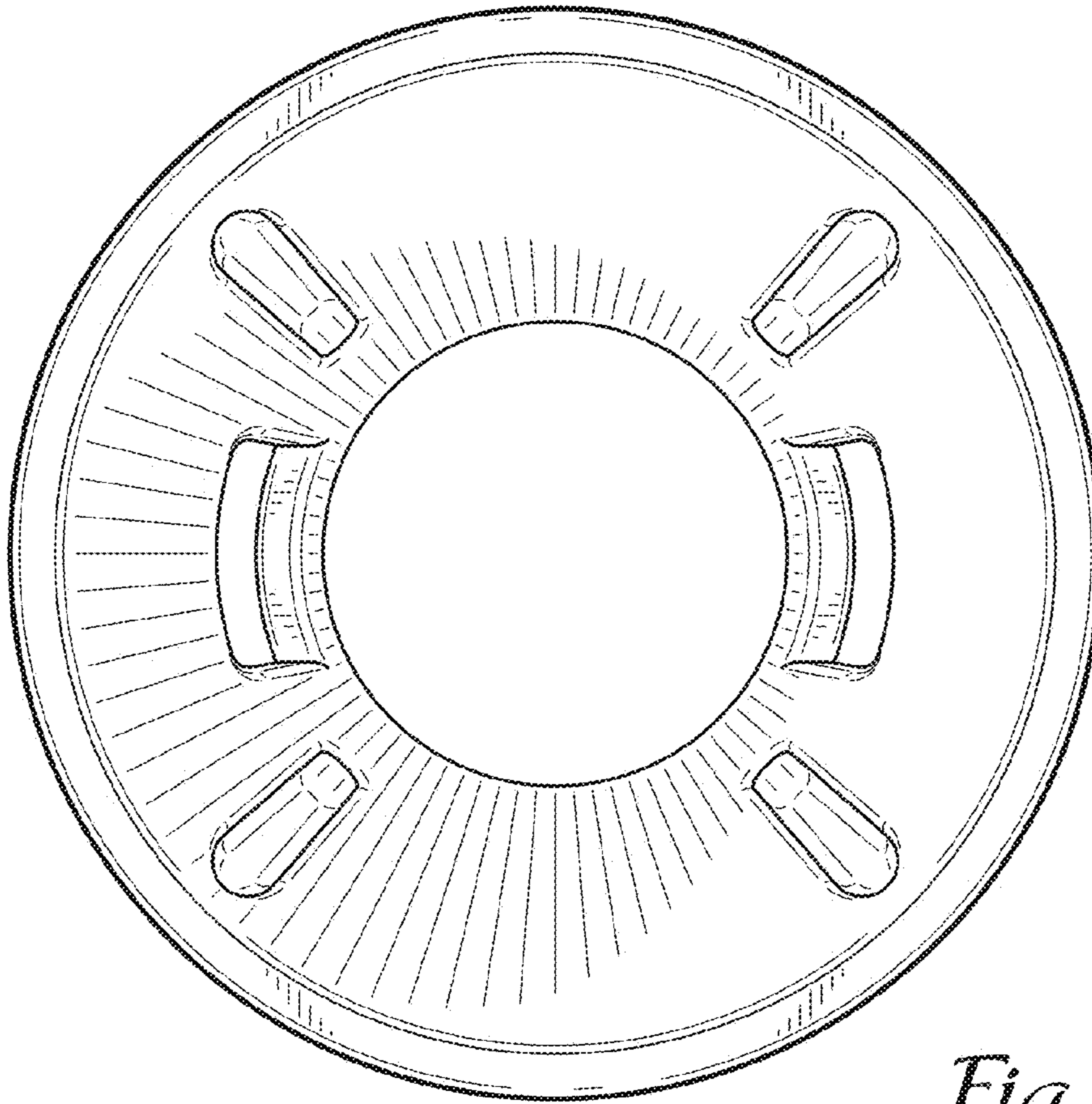


Fig. 5

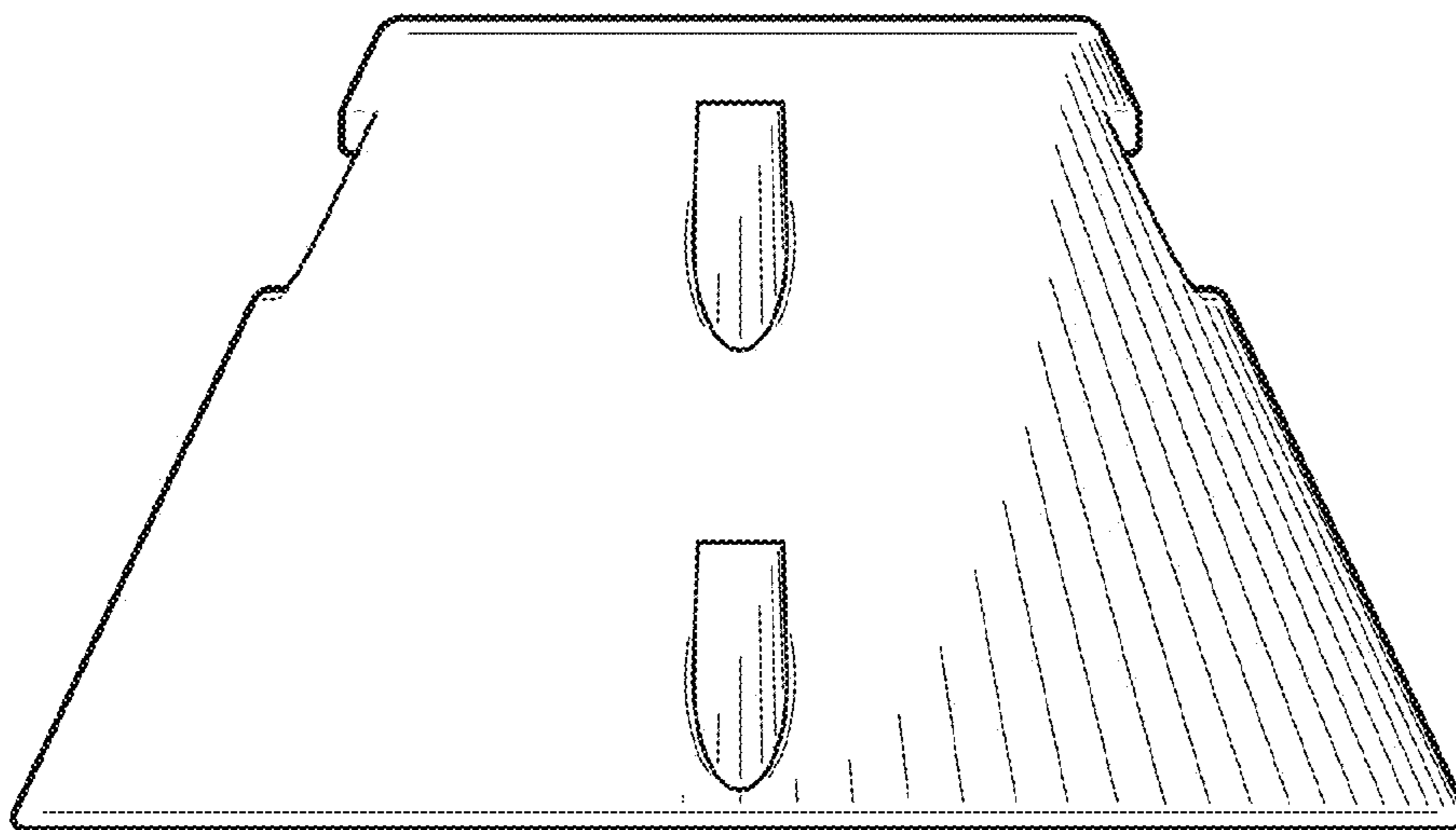


Fig. 6