



US00D719867S

(12) **United States Design Patent**
Pinter

(10) **Patent No.:** **US D719,867 S**

(45) **Date of Patent:** **** Dec. 23, 2014**

(54) **FACIAL JEWELRY**

(71) Applicant: **Jonathan C. Pinter**, Rural Hall, NC
(US)

(72) Inventor: **Jonathan C. Pinter**, Rural Hall, NC
(US)

(**) Term: **14 Years**

(21) Appl. No.: **29/484,234**

(22) Filed: **Mar. 7, 2014**

(51) **LOC (10) Cl.** **11-01**

(52) **U.S. Cl.**
USPC **D11/40**

(58) **Field of Classification Search**

CPC A44C 7/00; A44C 7/001; A44C 7/002;
A44C 7/003; A44C 7/004; A44C 7/005;
A44C 7/006; A44C 7/007; A44C 7/009;
A44C 15/0045; A44C 15/03; A44C 15/002;
A44C 15/001

USPC D11/40-48, 1, 2, 7, 8, 79-87, 69, 76;
63/1.11, 12, 13, 33

See application file for complete search history.

(56) **References Cited**

U.S. PATENT DOCUMENTS

2,525,195 A * 10/1950 Austrin et al. 63/14.2
3,828,577 A * 8/1974 Haynes 63/33

4,282,721 A * 8/1981 Roach et al. 63/14.1
D298,611 S * 11/1988 Saraga D11/42
4,993,240 A * 2/1991 Pounder 63/12
D326,430 S * 5/1992 Ortega D11/42
D344,910 S * 3/1994 Nelson D11/79
D348,854 S * 7/1994 Salsgiver D11/86
5,809,803 A * 9/1998 Stracuzzi 63/12
D522,906 S * 6/2006 Siggins D11/87
D654,389 S * 2/2012 Gordon D11/2
D665,297 S * 8/2012 Parris D11/40
D684,882 S * 6/2013 O'Conor D11/86
D702,149 S * 4/2014 Carniani D11/43
2010/0212356 A1 * 8/2010 Namiki 63/14.1

* cited by examiner

Primary Examiner — Garth Rademaker

Assistant Examiner — Melanie Pellegrini

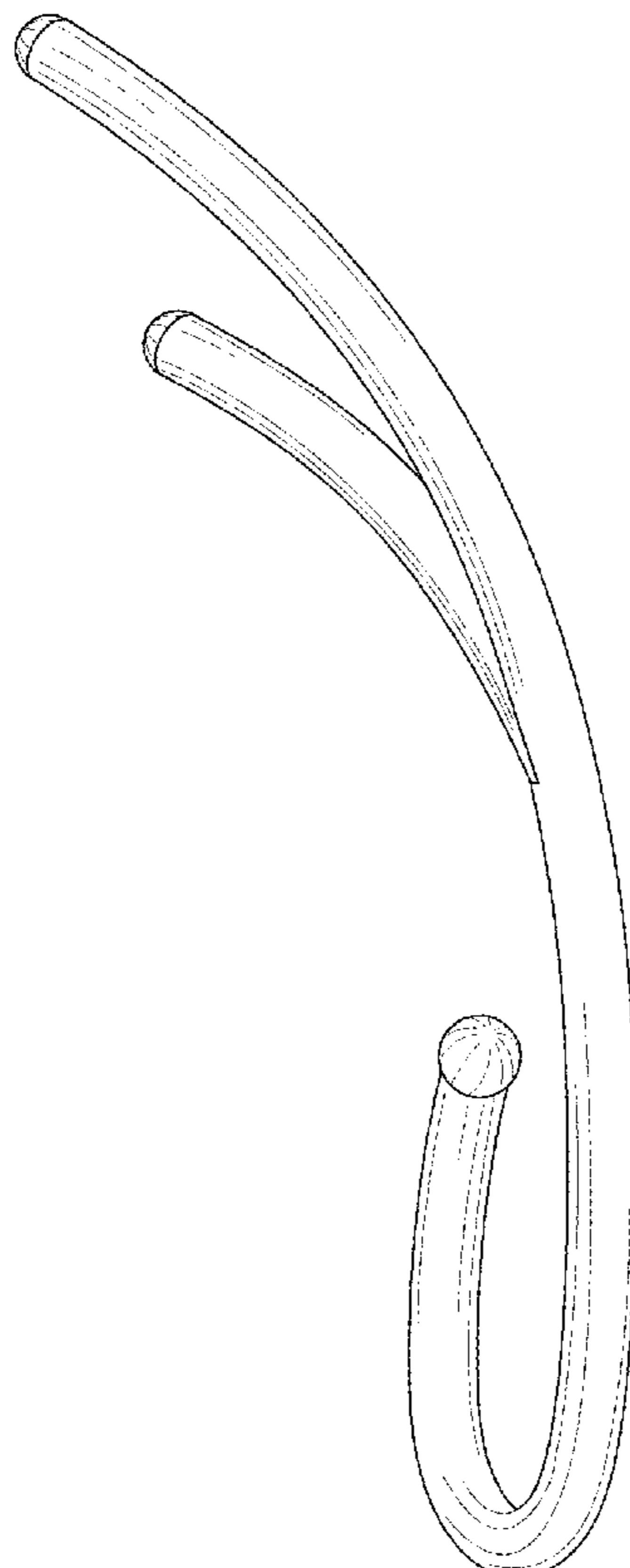
(57) **CLAIM**

The ornamental design for facial jewelry, as shown and described.

DESCRIPTION

FIG. 1 is a perspective view of facial jewelry;
FIG. 2 is a front elevational view thereof;
FIG. 3 is a rear elevational view thereof;
FIG. 4 is a right side elevational view thereof;
FIG. 5 is a left side elevational view thereof;
FIG. 6 is a top plan view thereof; and,
FIG. 7 is a bottom plan view thereof.

1 Claim, 7 Drawing Sheets



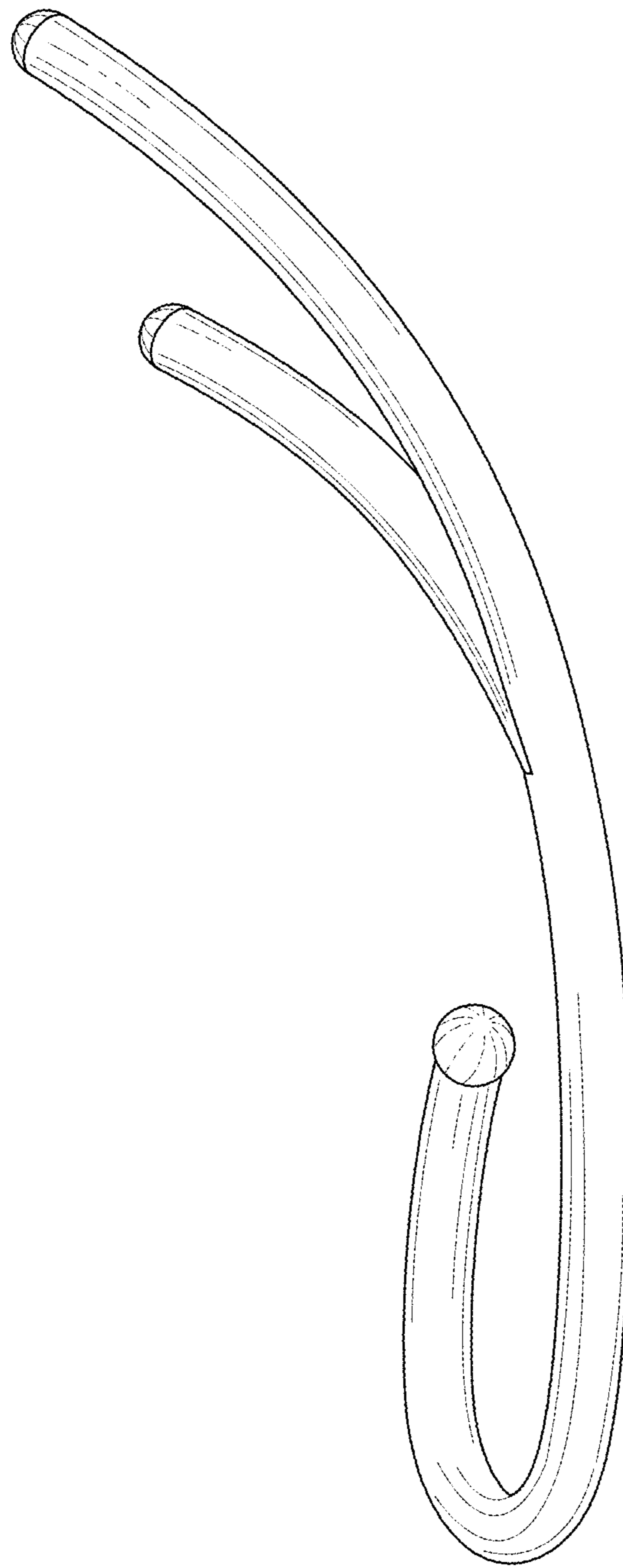


FIG.1

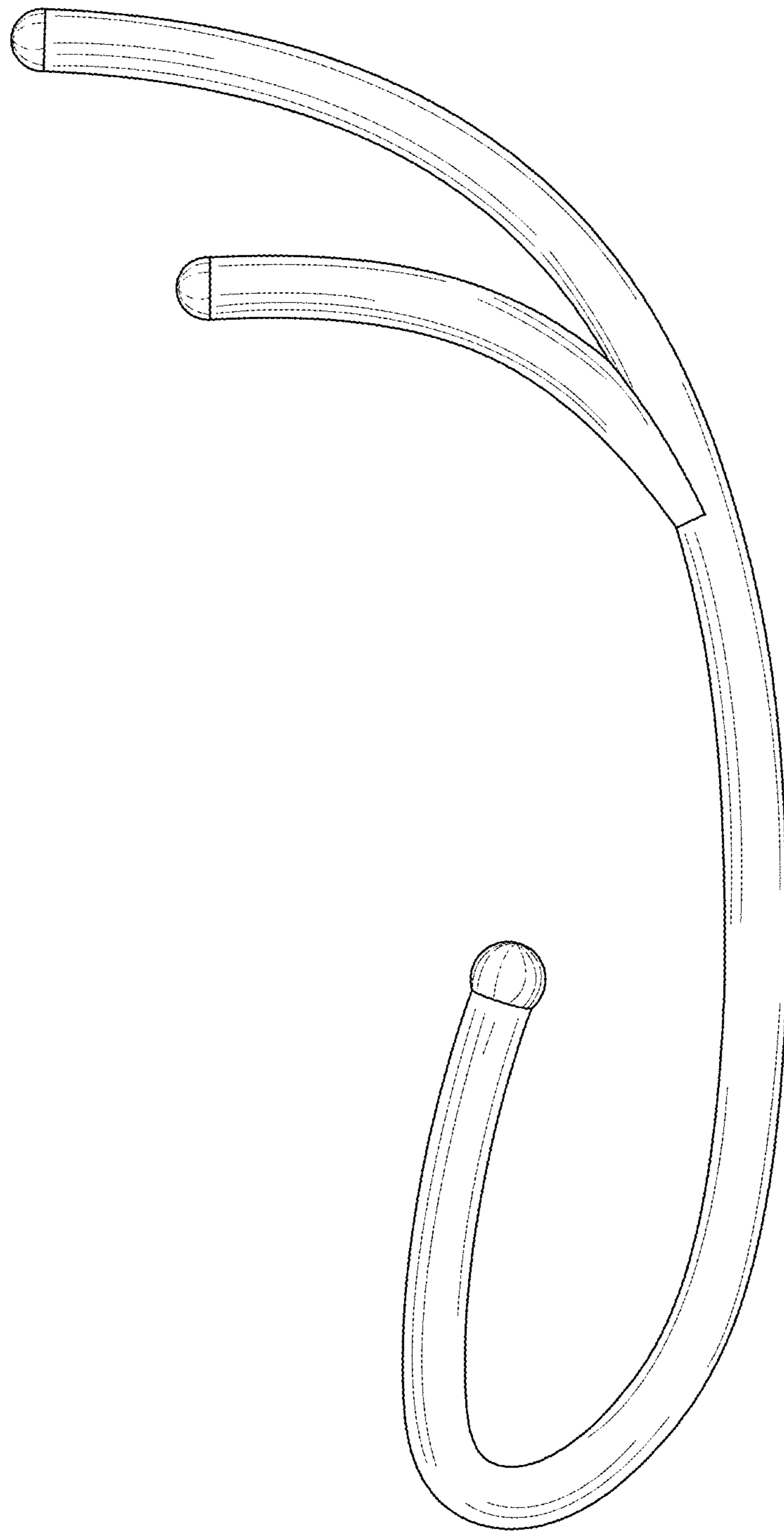


FIG. 2

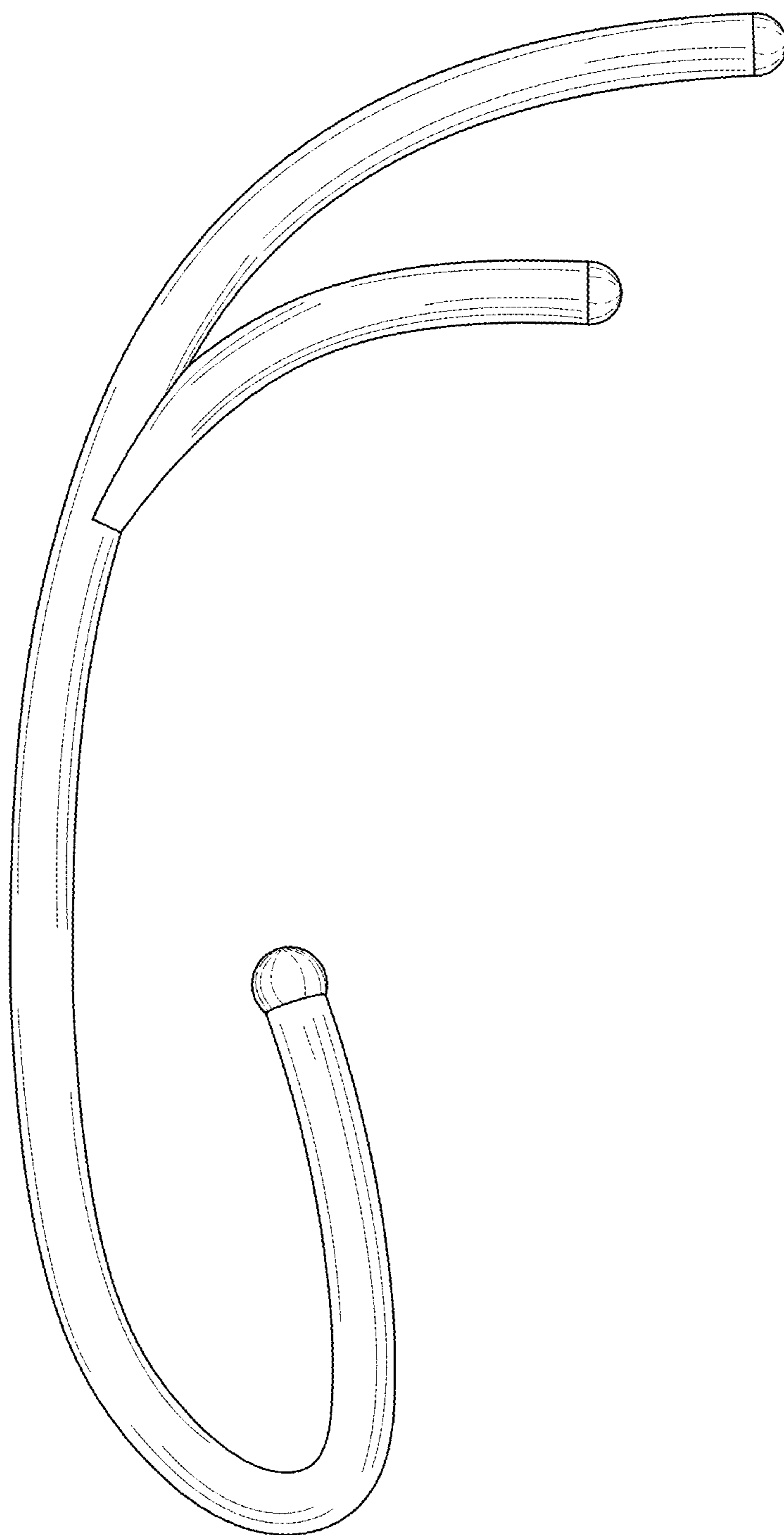


FIG. 3

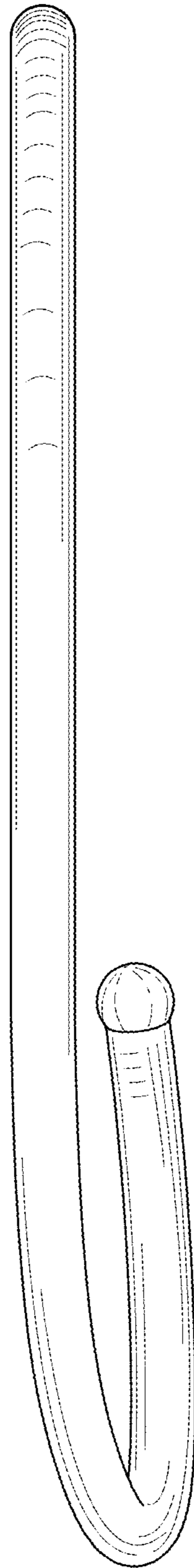


FIG. 4

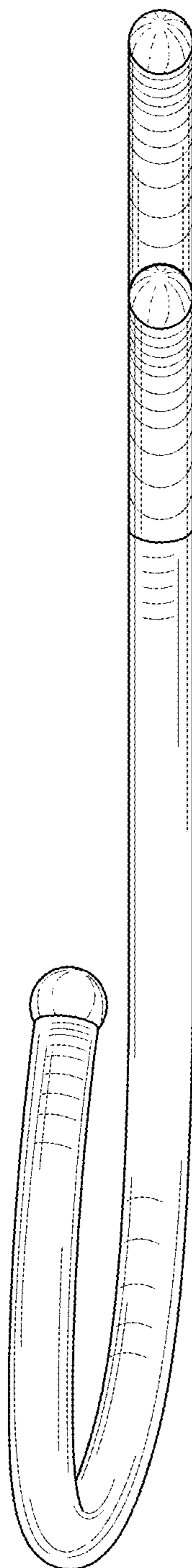


FIG. 5

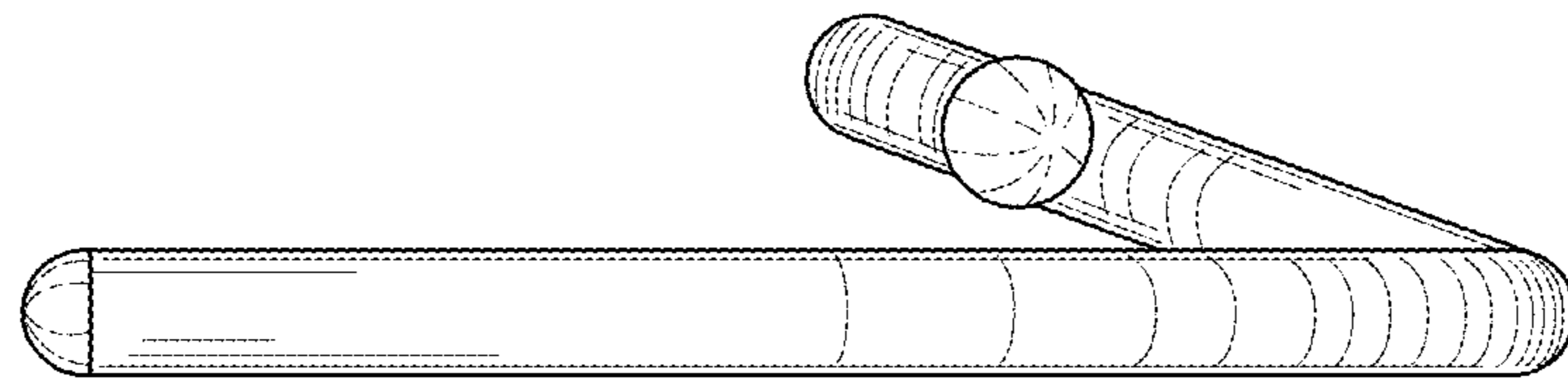


FIG. 6

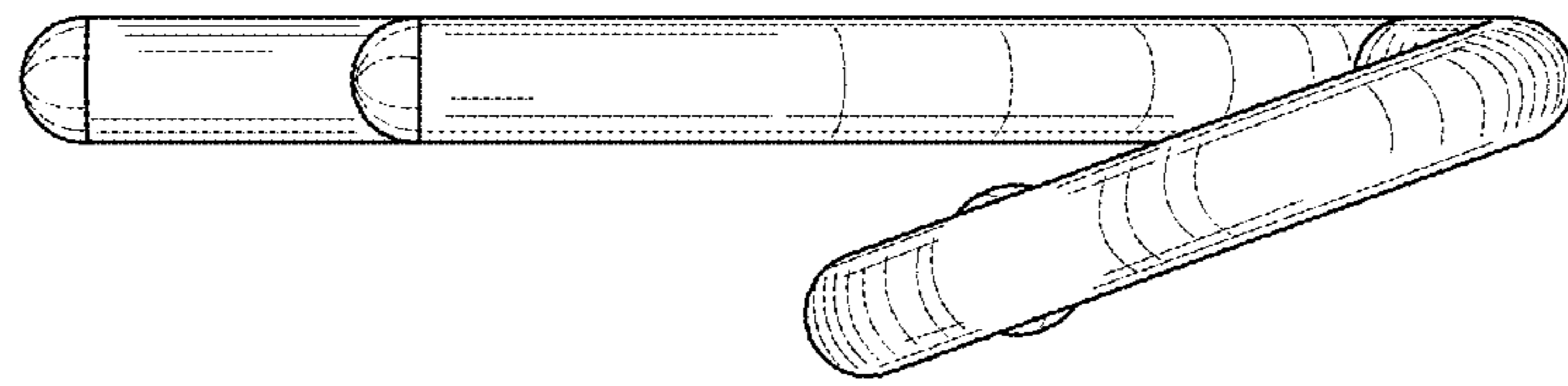


FIG. 7