



US00D719865S

(12) **United States Design Patent**  
**Yatsugi-Kang**

(10) **Patent No.:** **US D719,865 S**

(45) **Date of Patent:** **\*\* Dec. 23, 2014**

(54) **BRACELET**

(71) Applicant: **Harry Winston SA**, Plan-les-Ouates (CH)

(72) Inventor: **Rie Yatsugi-Kang**, Cresskill, NJ (US)

(73) Assignee: **Harry Winston SA**, Plan-les-Ouates (CH)

(\*\*) Term: **14 Years**

(21) Appl. No.: **29/490,919**

(22) Filed: **May 15, 2014**

(30) **Foreign Application Priority Data**

Nov. 15, 2013 (WO) ..... DM/082 237

(51) **LOC (10) Cl.** ..... **11-01**

(52) **U.S. Cl.**  
USPC ..... **D11/3**

(58) **Field of Classification Search**  
USPC ..... D11/1-30, 79, 81, 82, 84, 86, 89, 90,  
D11/162, 200, 213, 216, 220; 63/1.11, 1.13,  
63/1.14, 1.15, 1.16, 3, 3.1, 3.2, 4, 5.1, 7, 9,  
63/10, 11, 12, 15, 15.1, 15.2, 15.3, 15.45,  
63/15.5, 15.9, 24, 26, 33; D10/30-32, 38,  
D10/46; D30/151-153; D7/632, 633, 634  
See application file for complete search history.

(56) **References Cited**

**U.S. PATENT DOCUMENTS**

D84,297 S \* 6/1931 Naus ..... D11/89  
1,837,667 A \* 12/1931 Naus ..... D11/200

D146,854 S \* 6/1947 Forunier ..... D11/18  
D160,628 S \* 10/1950 Katz ..... D11/10  
D163,934 S \* 7/1951 Chernow ..... D11/8  
D166,607 S \* 4/1952 Katz ..... D11/6  
D166,710 S \* 5/1952 Philippe ..... D11/10  
D326,248 S \* 5/1992 Horita et al. .... D11/200  
D405,381 S \* 2/1999 Perrin et al. .... D11/4  
D407,035 S \* 3/1999 Ambar ..... D11/6  
D456,296 S \* 4/2002 Ambar ..... D11/4  
D515,450 S \* 2/2006 Schiesl-Griesinger ..... D11/4  
D637,936 S \* 5/2011 Modi ..... D11/3  
D642,489 S \* 8/2011 Modi ..... D11/1  
D651,930 S \* 1/2012 Marchand ..... D11/3  
D684,496 S \* 6/2013 Haimoff ..... D11/3  
D703,084 S \* 4/2014 Parvex ..... D11/1  
D708,984 S \* 7/2014 MacNeil ..... D11/200

\* cited by examiner

*Primary Examiner* — Cathron Brooks

*Assistant Examiner* — Llorellys Martinez-Rivera

(74) *Attorney, Agent, or Firm* — Donald J. Ranft; Collen IP

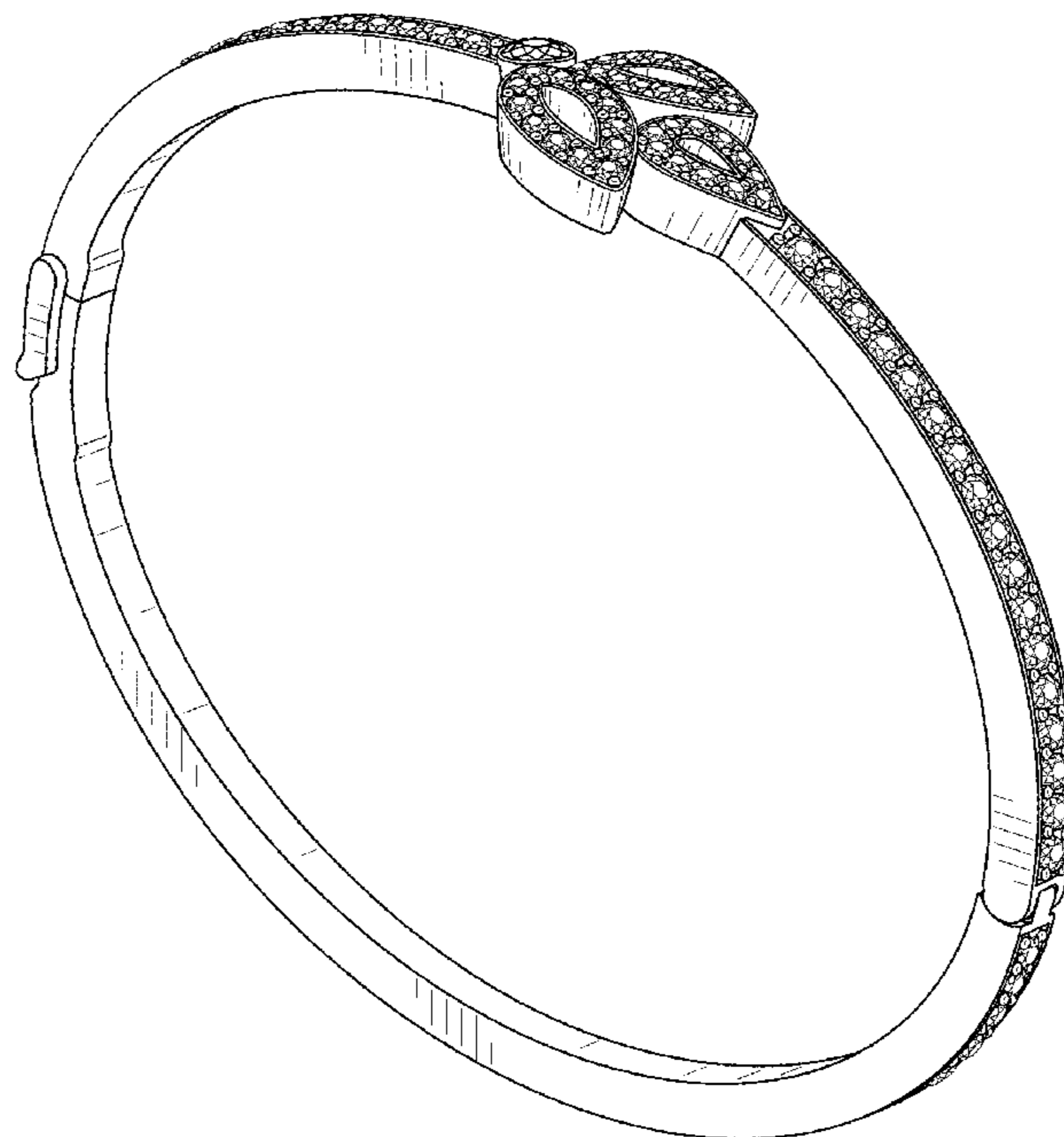
(57) **CLAIM**

The ornamental design for a bracelet, as shown.

**DESCRIPTION**

FIG. 1 is a front left perspective view of a bracelet showing my new design;  
FIG. 2 is a front view thereof;  
FIG. 3 is a rear view thereof;  
FIG. 4 is a left side view thereof;  
FIG. 5 is a right side view thereof;  
FIG. 6 is a top view thereof; and,  
FIG. 7 is a bottom view thereof.

**1 Claim, 4 Drawing Sheets**



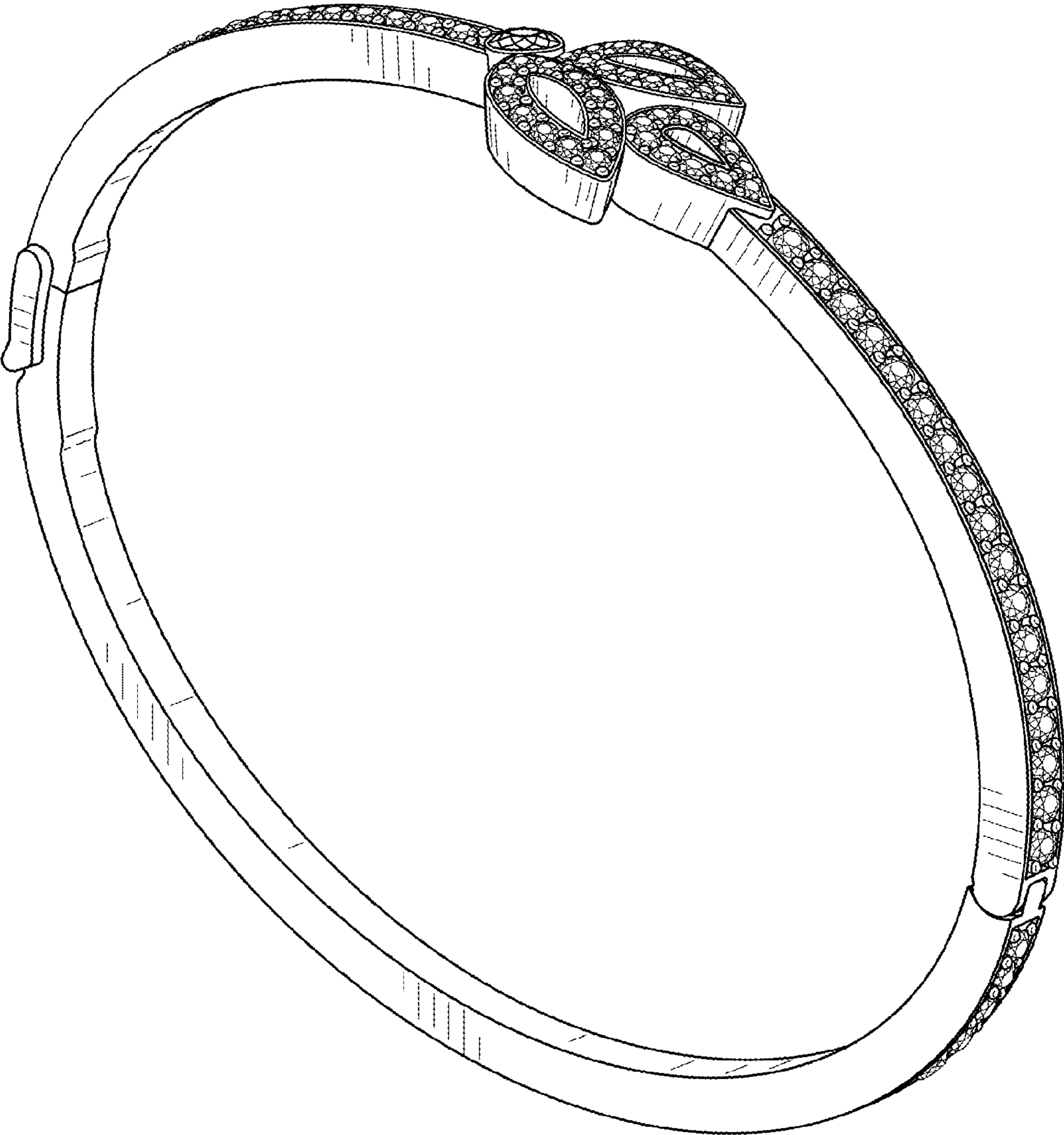


FIG. 1

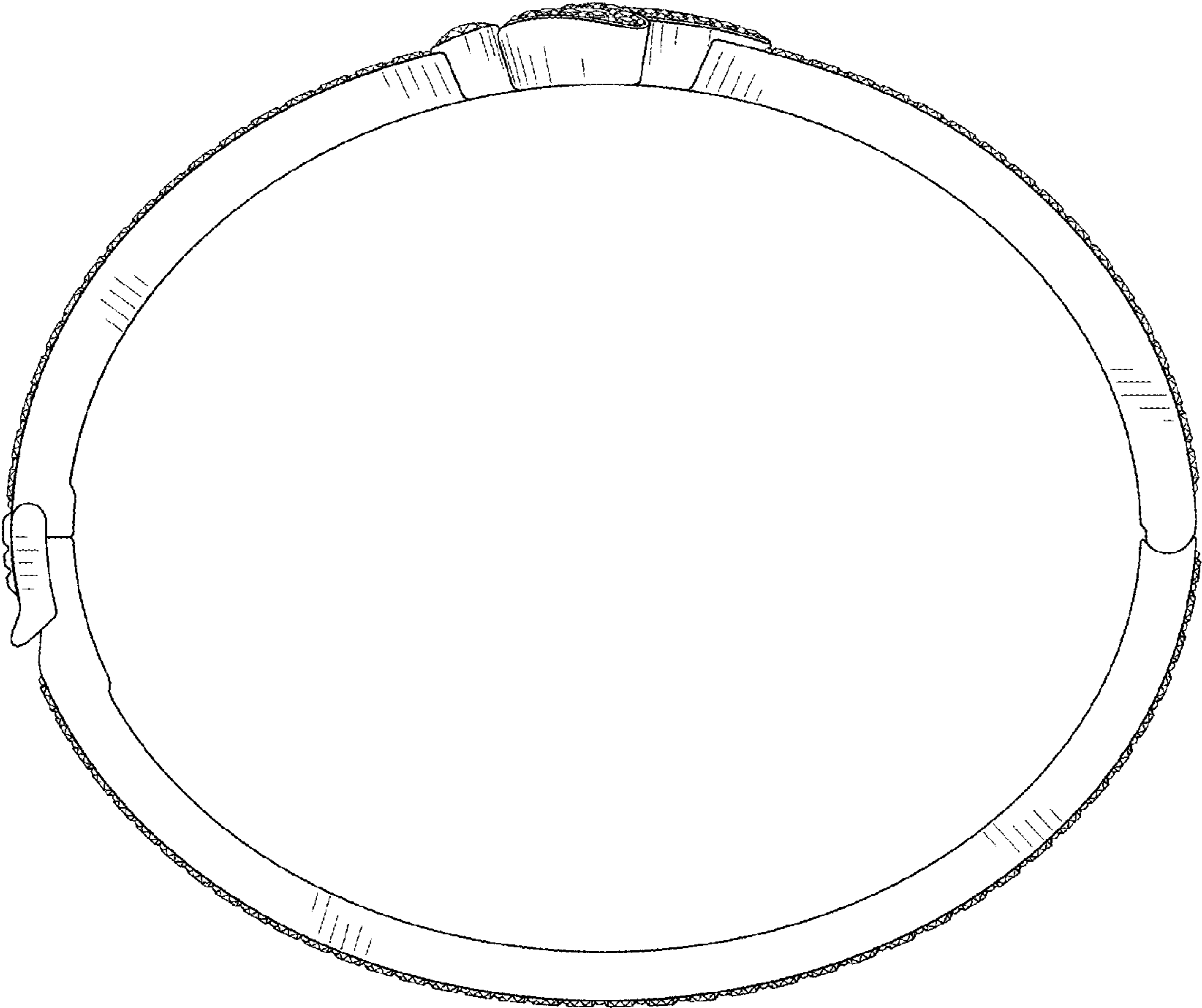


FIG. 2

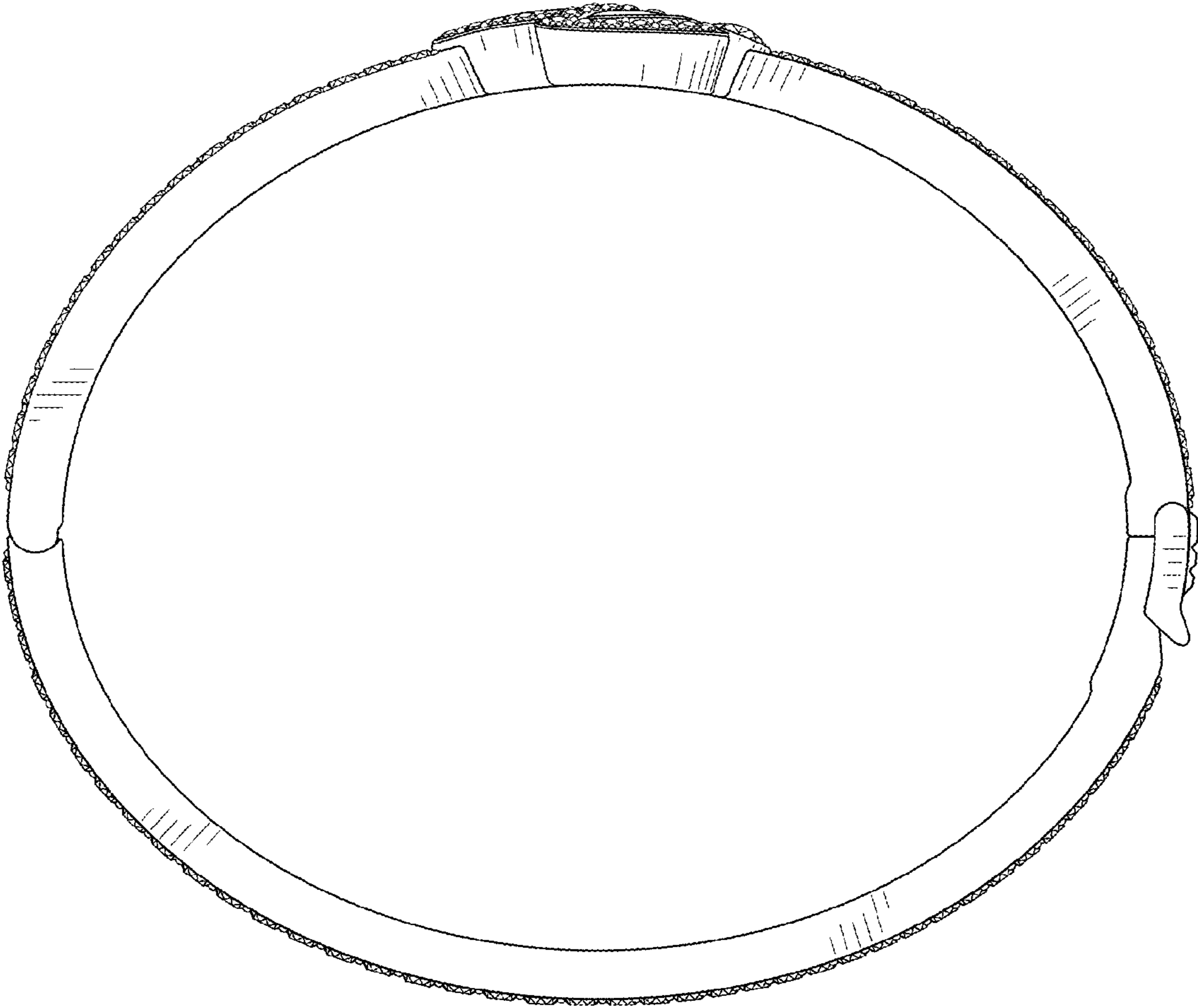


FIG. 3

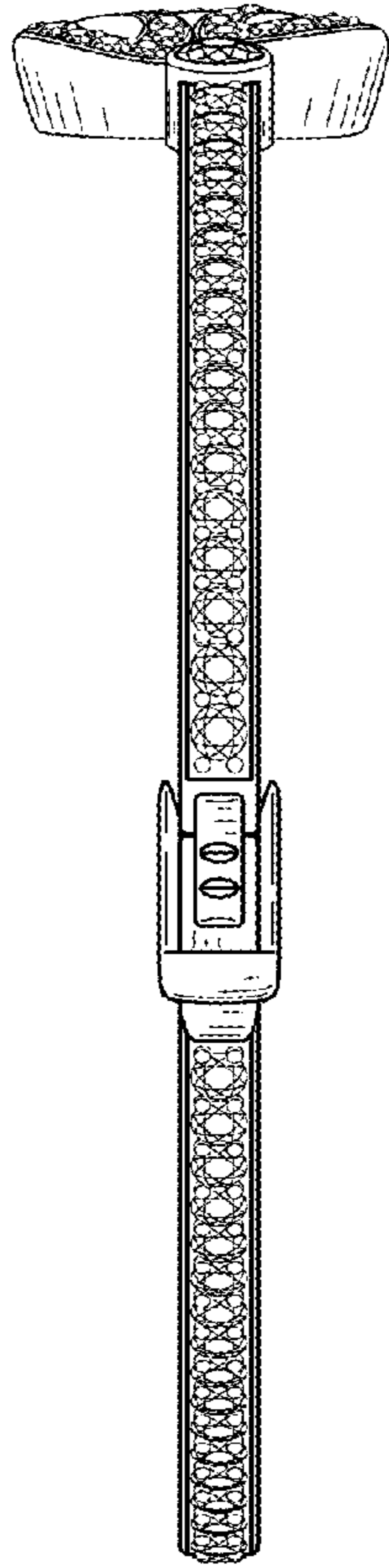


FIG. 4

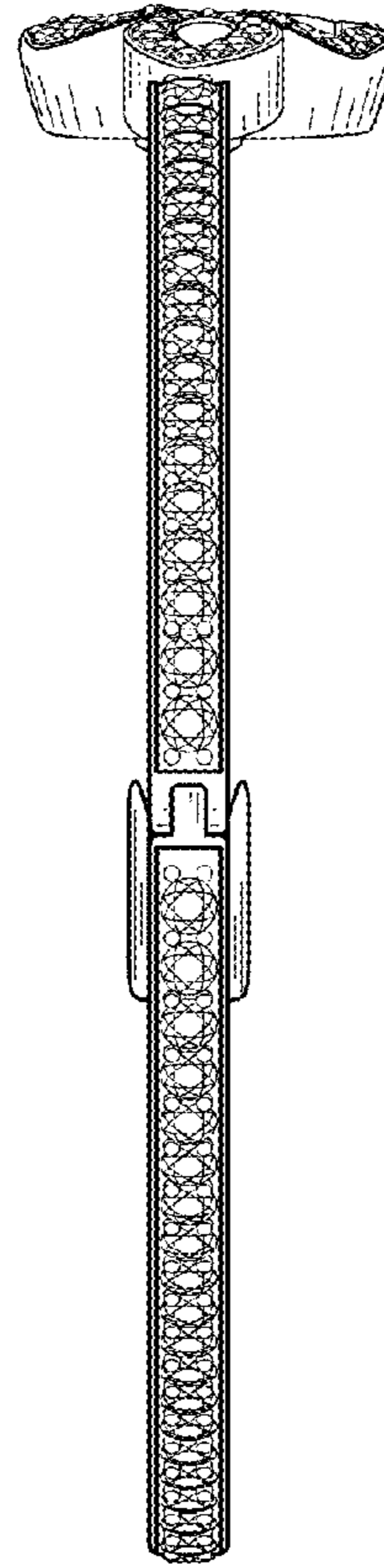


FIG. 5

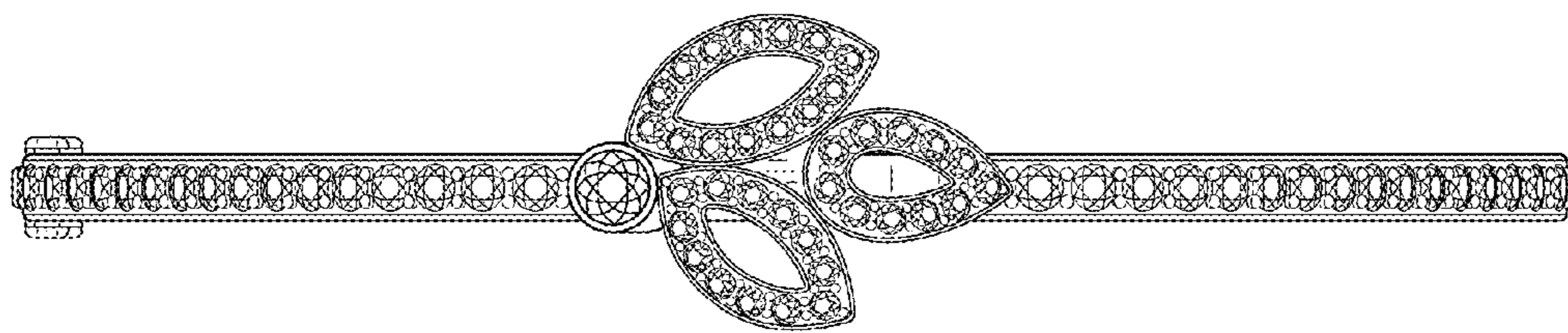


FIG. 6

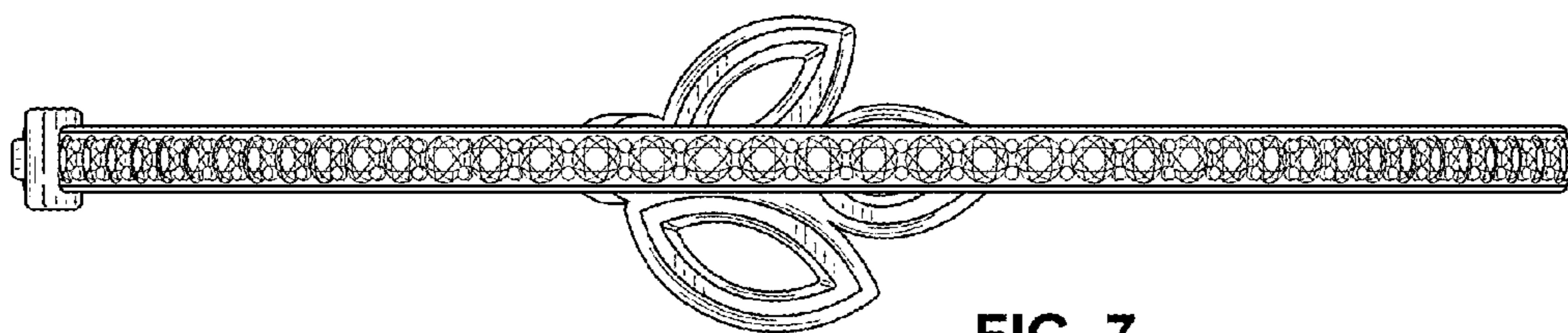


FIG. 7