



US00D719862S

(12) **United States Design Patent**  
**Fiedler et al.**

(10) **Patent No.:** **US D719,862 S**  
(45) **Date of Patent:** **\*\* Dec. 23, 2014**

(54) **HOME CENTER MANAGER**

(71) Applicant: **Fibar Group sp. z o.o.**, Poznań (PL)

(72) Inventors: **Maciej Fiedler**, Poznań (PL); **Lukasz Gdyk**, Dabrowka (PL); **Jakub Hermanski**, Wagrowiec (PL)

(73) Assignee: **Fibar Group sp. z o.o.** (PL)

(\*\*) Term: **14 Years**

(21) Appl. No.: **29/494,203**

(22) Filed: **Jun. 18, 2014**

(30) **Foreign Application Priority Data**

Jan. 7, 2014 (EP) ..... 002381137-0001

(51) **LOC (10) Cl.** ..... **10-05**

(52) **U.S. Cl.**  
USPC ..... **D10/106.95**

(58) **Field of Classification Search**  
USPC ..... D10/104.1, 106.1, 106.95; D14/137,  
D14/240; D19/2  
See application file for complete search history.

(56) **References Cited**

**U.S. PATENT DOCUMENTS**

D301,869 S	6/1989	Schwartz
D325,902 S	5/1992	Hudson et al.
D334,561 S	4/1993	Crater et al.
D349,687 S	8/1994	Khoo et al.
D359,043 S	6/1995	Althans
D381,633 S	7/1997	Hiyakumoto et al.
D396,471 S	7/1998	Kolinen

(Continued)

**FOREIGN PATENT DOCUMENTS**

CN	3274285	1/2003
CN	301936325 S	5/2012

(Continued)

**OTHER PUBLICATIONS**

Automated Home, Case Study: UK Z-Wave Home Automation Setup, [www.automatedhome.co.uk/installaton/case-study-uk-z-wave-home-automation-setup.html](http://www.automatedhome.co.uk/installaton/case-study-uk-z-wave-home-automation-setup.html) (13 pages), Jun. 17, 2014.

(Continued)

*Primary Examiner* — George D Kirschbaum

(74) *Attorney, Agent, or Firm* — McAndrews, Held & Malloy, Ltd.

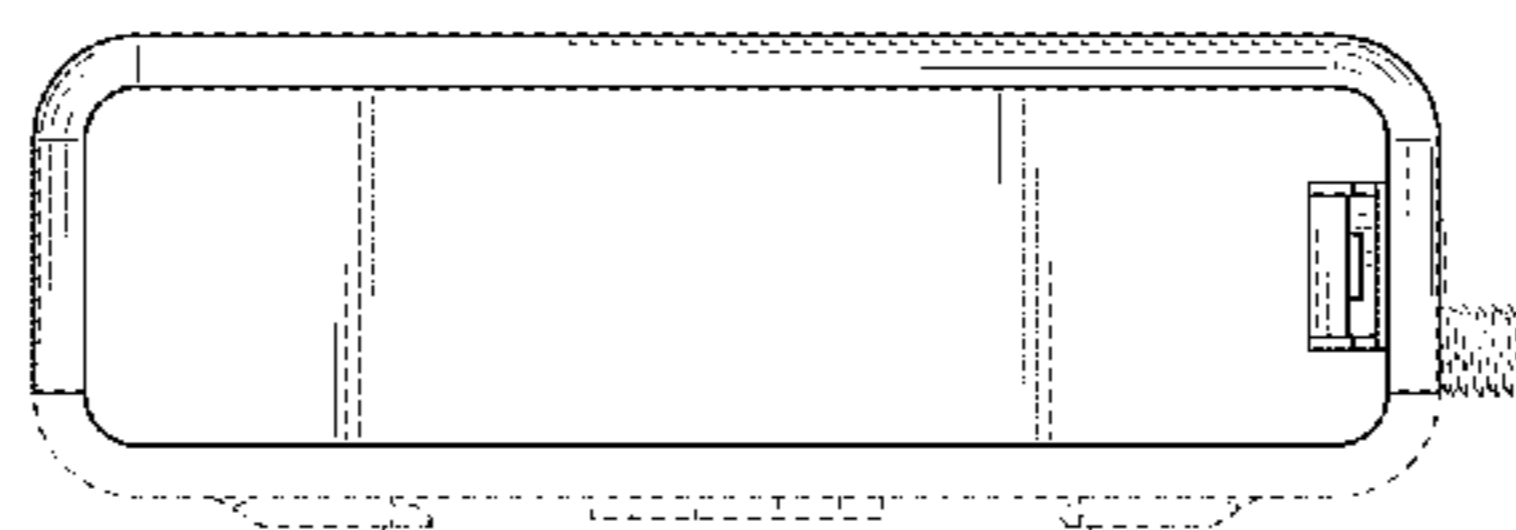
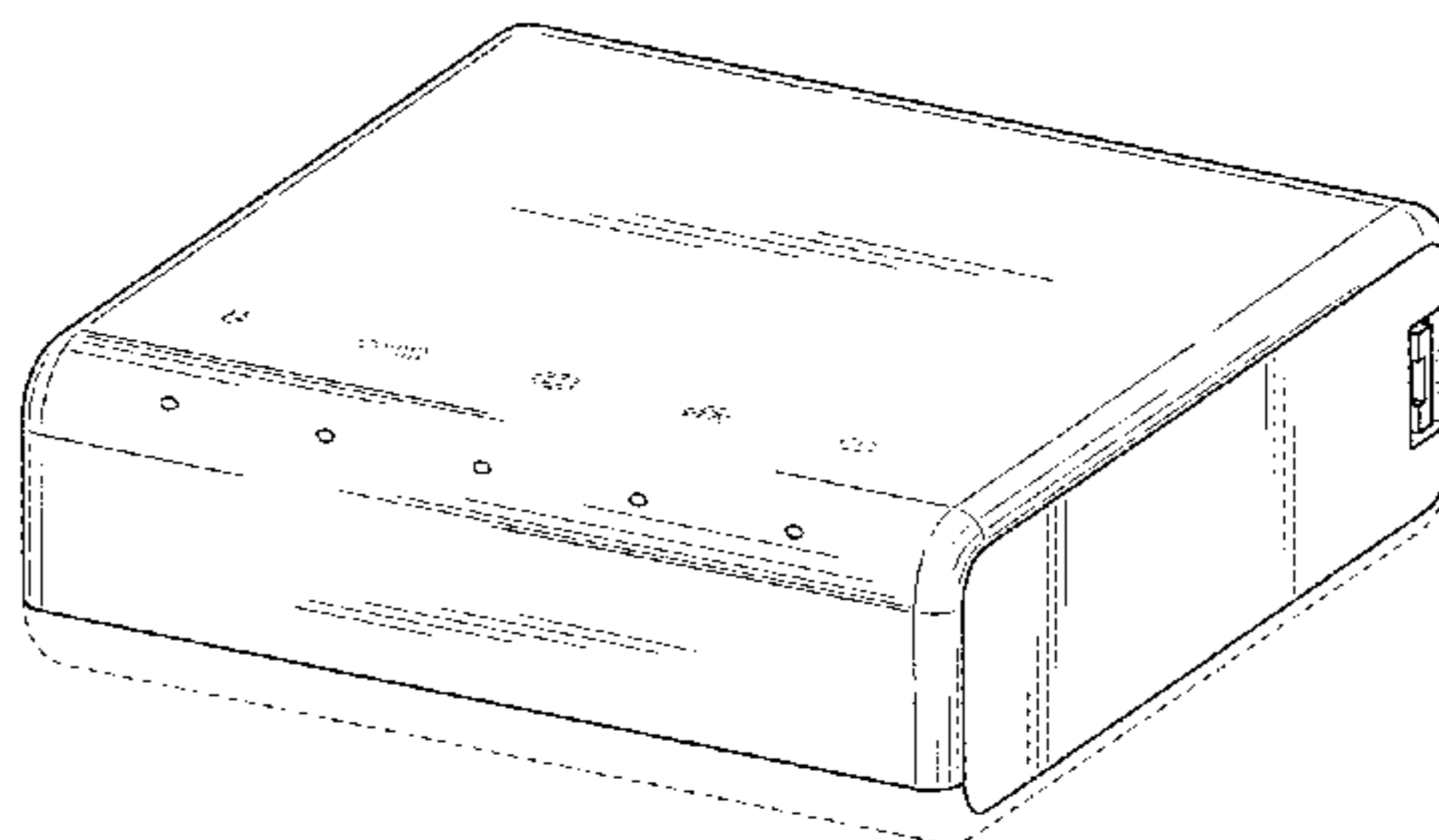
(57) **CLAIM**

The ornamental design for a home center manager, as shown and described.

**DESCRIPTION**

FIG. 1 is a top front right-side perspective view of an embodiment of a home center manager showing our new design; FIG. 2 is a front elevation view thereof; FIG. 3 is a back elevation view thereof; FIG. 4 is a right-side elevation view thereof; FIG. 5 is a left-side elevation view thereof; FIG. 6 is a top plan view thereof; FIG. 7 is a bottom plan view thereof; FIG. 8 is a top front right-side perspective view of another embodiment of a home center manager showing our new design; FIG. 9 is a front elevation view thereof; FIG. 10 is a back elevation view thereof; FIG. 11 is a right-side elevation view thereof; FIG. 12 is a left-side elevation view thereof; FIG. 13 is a top plan view thereof; and, FIG. 14 is a bottom plan view thereof. The broken line showing is included for the purpose of illustrating portions of the “article” and forms no part of the claimed design.

**1 Claim, 8 Drawing Sheets**



(56)

References Cited

U.S. PATENT DOCUMENTS

D405,424 S 2/1999 Winkler et al.  
 D408,812 S \* 4/1999 Danis ..... D14/137  
 D417,871 S 12/1999 Hisatsune  
 D445,705 S \* 7/2001 Kliegman et al. .... D10/104.1  
 D481,056 S 10/2003 Kawasaki et al.  
 D487,728 S 3/2004 Murray  
 D489,337 S 5/2004 Murray  
 D492,262 S 6/2004 Murray  
 D494,583 S 8/2004 Guerrero et al.  
 D513,497 S 1/2006 Whitehouse  
 D514,118 S 1/2006 Christianson  
 D515,527 S \* 2/2006 Swallow ..... D14/137  
 D520,500 S 5/2006 Storti et al.  
 D523,873 S 6/2006 Huang  
 D529,903 S \* 10/2006 McRae et al. .... D14/240  
 D533,186 S 12/2006 Chen et al.  
 D533,851 S 12/2006 Yoon  
 D540,752 S 4/2007 Hayes et al.  
 D541,762 S 5/2007 Nakagawa et al.  
 D548,702 S 8/2007 Girard  
 D559,233 S 1/2008 Tang  
 D567,187 S 4/2008 Oba et al.  
 D570,297 S 6/2008 Gibbons et al.  
 D596,626 S \* 7/2009 Andre et al. .... D14/240  
 D604,254 S 11/2009 Lanfear et al.  
 D604,725 S 11/2009 Chen  
 D609,701 S 2/2010 Hou  
 D631,165 S 1/2011 Fisher et al.  
 D631,446 S 1/2011 Lanfear et al.  
 D638,372 S 5/2011 Clymer et al.  
 D639,752 S 6/2011 Li et al.  
 D646,640 S 10/2011 Clymer et al.  
 D647,504 S 10/2011 Choi  
 D660,261 S 5/2012 Huang et al.  
 D660,809 S 5/2012 Kern Koskela et al.  
 D665,773 S 8/2012 Behringer et al.  
 D678,258 S 3/2013 Seto  
 D680,458 S \* 4/2013 Corso et al. .... D10/104.1  
 D682,777 S 5/2013 Gupta  
 D684,212 S \* 6/2013 Roth et al. .... D19/2  
 D689,441 S 9/2013 Kah, Jr. et al.  
 D693,311 S 11/2013 Biller et al.  
 D695,234 S 12/2013 Santiago et al.  
 D695,693 S 12/2013 Lee et al.  
 D699,177 S 2/2014 Higashi  
 D699,614 S \* 2/2014 Ke ..... D10/106.95  
 D703,156 S 4/2014 Parsons et al.  
 D704,625 S 5/2014 Tsutsumi et al.  
 D705,719 S 5/2014 Wong  
 D706,228 S 6/2014 Ishiura  
 D708,977 S \* 7/2014 Corso et al. .... D10/106.9  
 D710,341 S \* 8/2014 Cheng ..... D14/240

FOREIGN PATENT DOCUMENTS

CN 302767627 S 3/2014  
 EP 000137351-0008 2/2004  
 EP 000145644-0001 3/2004  
 EP 000166350-0001 4/2004  
 EP 000242888-0001 10/2004  
 EP 000253380-0002 11/2004  
 EP 000268032-0002 12/2004  
 EP 000321971-0007 4/2005

EP 000352943-0001 6/2005  
 EP 000481304-0001 2/2006  
 EP 000536438-0001 5/2006  
 EP 000603709-0002 10/2006  
 EP 000623608-0001 11/2006  
 EP 000779061-0001 8/2007  
 EP 000792791-0001 9/2007  
 EP 000827118-0001 11/2007  
 EP 000830542-0006 11/2007  
 EP 001032437-0001 11/2008  
 EP 001032437-0002 11/2008  
 EP 001057392-0001 12/2008  
 EP 001223457-0002 6/2010  
 EP 001720590-0001 6/2010  
 EP 001259204-0001 2/2011  
 EP 001295182-0001 9/2011  
 EP 001914029-0004 9/2011  
 EP 001920018-0004 9/2011  
 EP 002041764-0001 5/2012  
 EP 002074989-0001 7/2012  
 EP 002079673-0001 7/2012  
 EP 002163360-0001 1/2013  
 EP 002177667-0001 2/2013  
 EP 002242800-0001 5/2013  
 EP 002278887-0001 7/2013  
 EP 002293415-0002 8/2013  
 EP 002440198-0001 4/2014  
 EP 002465476-0002 5/2014  
 JP 1463123 S 2/2013  
 JP 1491697 S 3/2013  
 JP 1477025 S 8/2013  
 JP 1477336 S 8/2013  
 WO DM053972 11/2000  
 WO DM059634 3/2002  
 WO DM066764 5/2005  
 WO DM074708 11/2010  
 WO DM075611 12/2010  
 WO DM075517 2/2011  
 WO DM076583 5/2011  
 WO DM078408 11/2011  
 WO DM079061 2/2012  
 WO DM078643 6/2012  
 WO DM078737 7/2012  
 WO DM079877 12/2012  
 WO DM081654 8/2013  
 WO DM082066 10/2013  
 WO DM083551 2/2014

OTHER PUBLICATIONS

The Online Architecture and Design Exhibition, Interface Module for Home Automation System—EXB-REL8—AMX—Videos, [www.archiexpo.com/prod/amx/interface-module-home-automation-systems-51274-1065061.html](http://www.archiexpo.com/prod/amx/interface-module-home-automation-systems-51274-1065061.html) (18 pages), Jun. 17, 2014.  
 Graves On SOHO Technology, Vera Home Automation, Michael Graves, Oct. 23, 2008, [www.mgraves.org/2008/10/vera-home-automation/](http://www.mgraves.org/2008/10/vera-home-automation/) (6 pages), Jun. 17, 2014.  
 TaHomA—Home Motion by Somfy, Somfy Systems, Creator of TaHomA, the New Home Control System, [www.somfytahoma.com/home-automation-products/home-automation-controllers-products/home-automation-somfy--tahoma-controller](http://www.somfytahoma.com/home-automation-products/home-automation-controllers-products/home-automation-somfy--tahoma-controller) (3 pages), Jun. 17, 2014.  
 Introduction to X10 Home Automation Technology, by Tony Northrup, Jan. 10, 2005, [www.oreillynet.com/pub/a/network/2005/01/10/x10\\_hmhck.html](http://www.oreillynet.com/pub/a/network/2005/01/10/x10_hmhck.html) (5 pages), Jun. 17, 2014.

\* cited by examiner

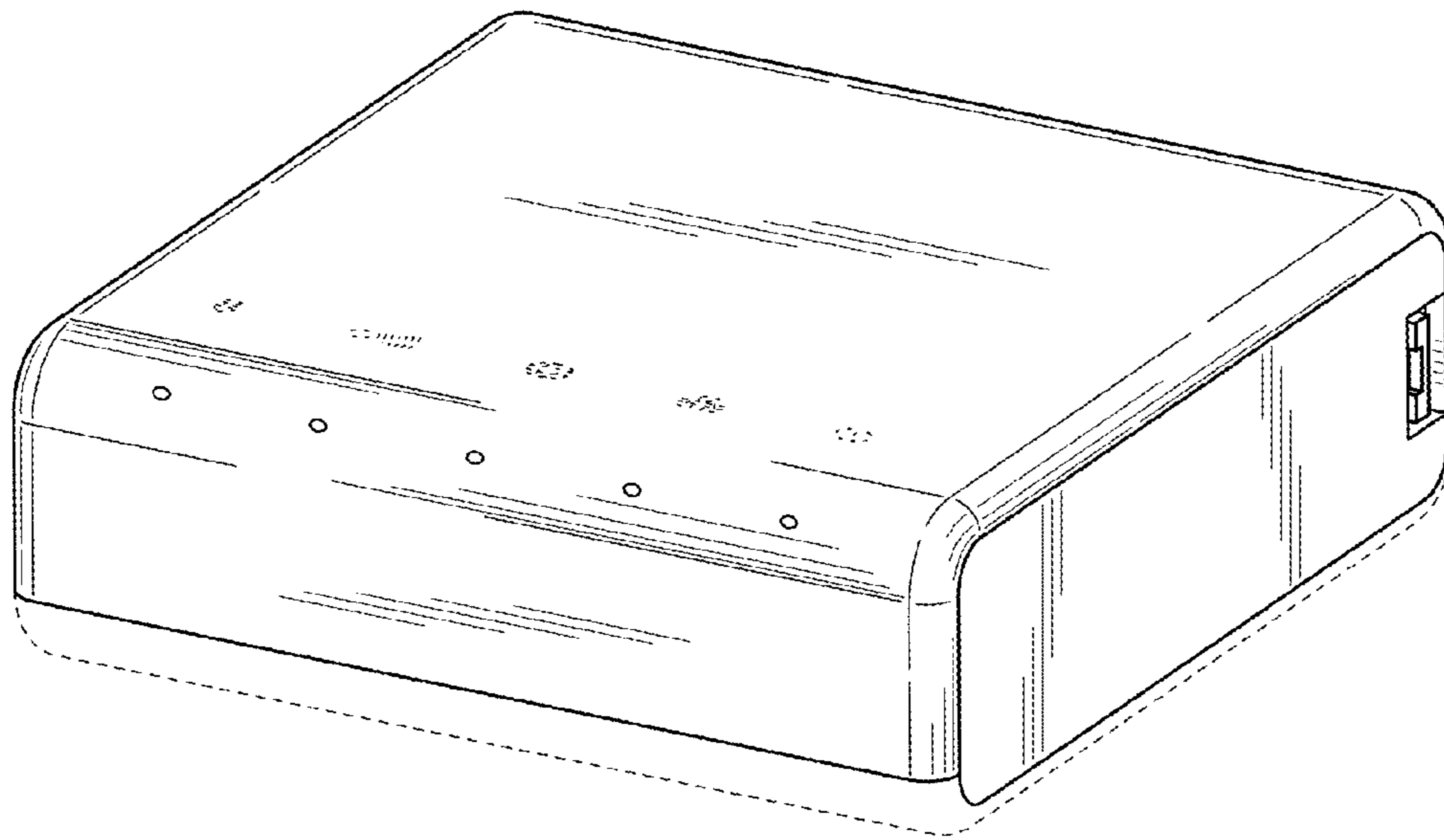


FIG. 1

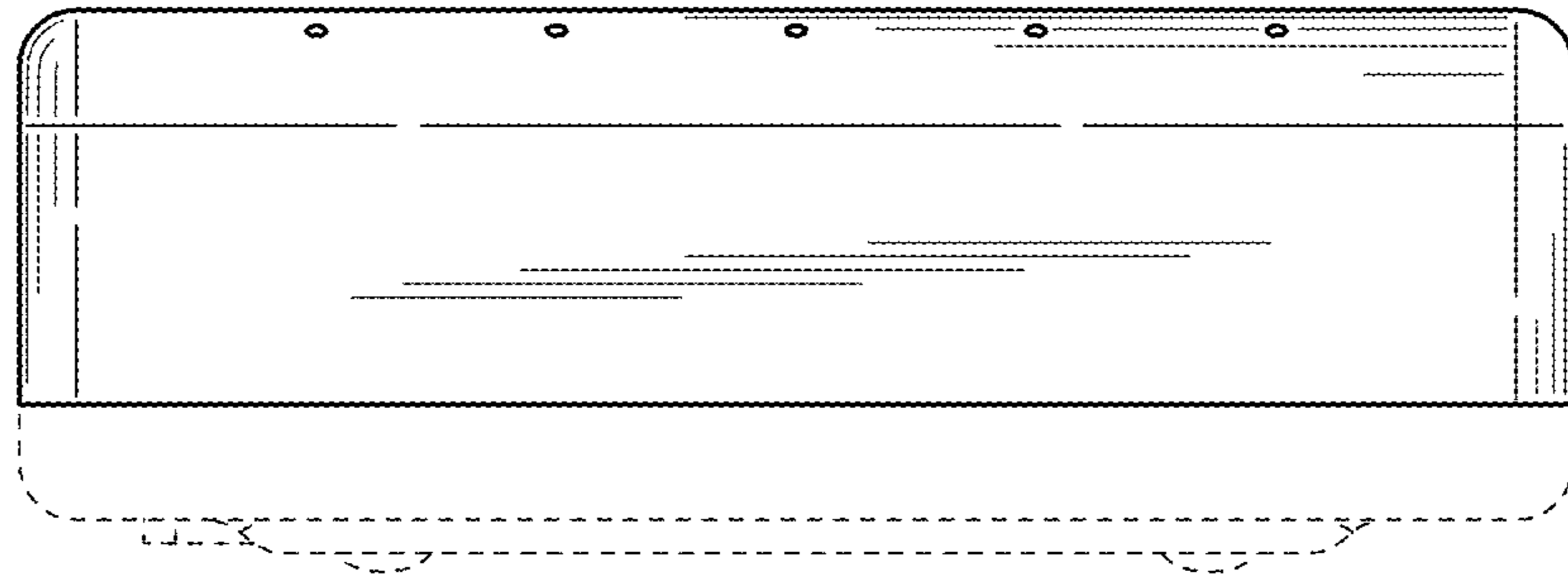


FIG. 2

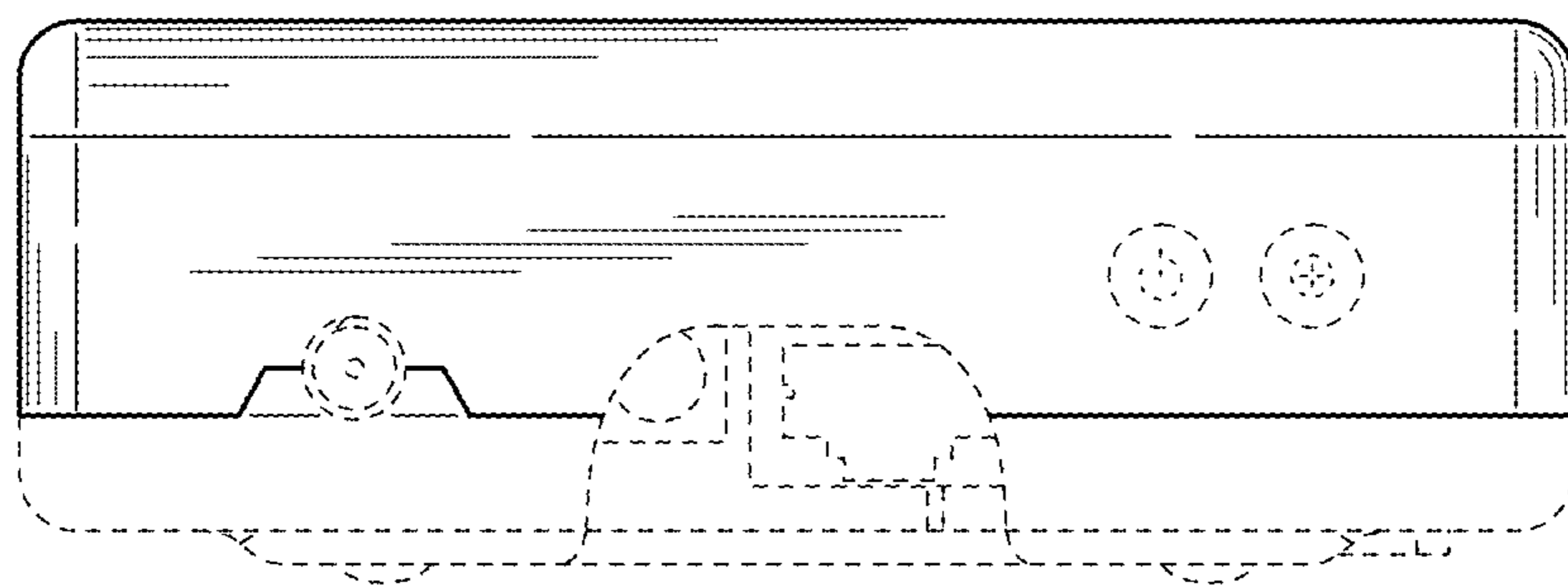


FIG. 3

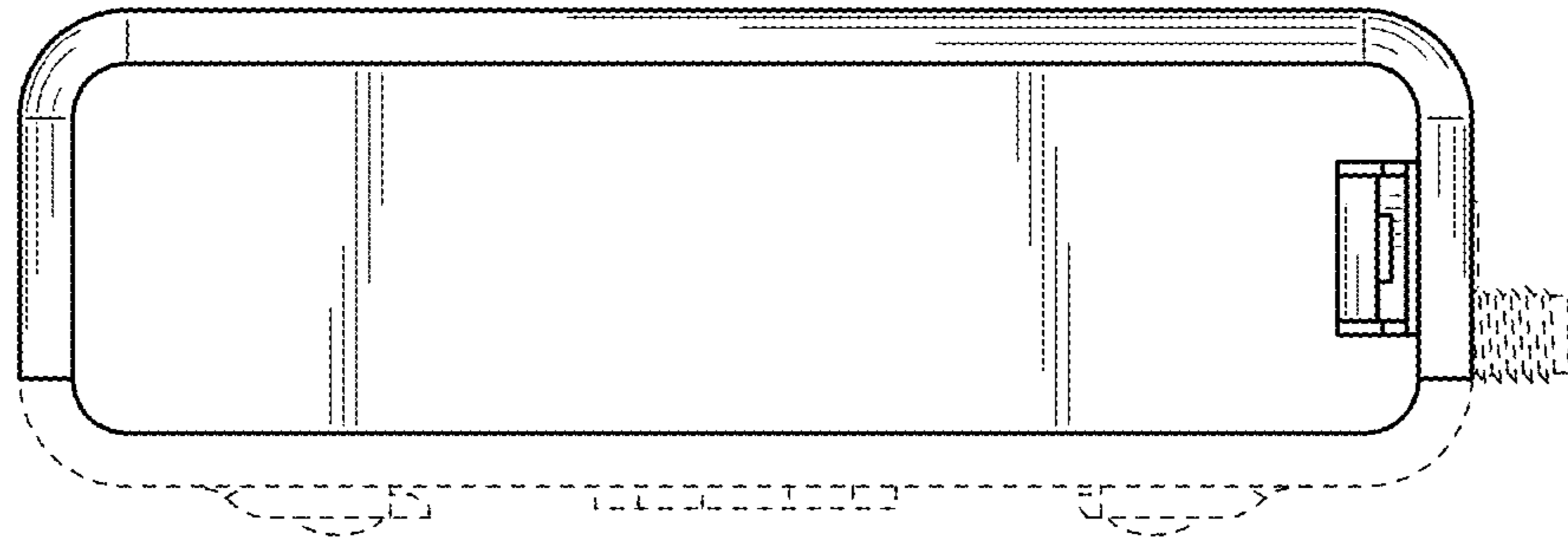


FIG. 4

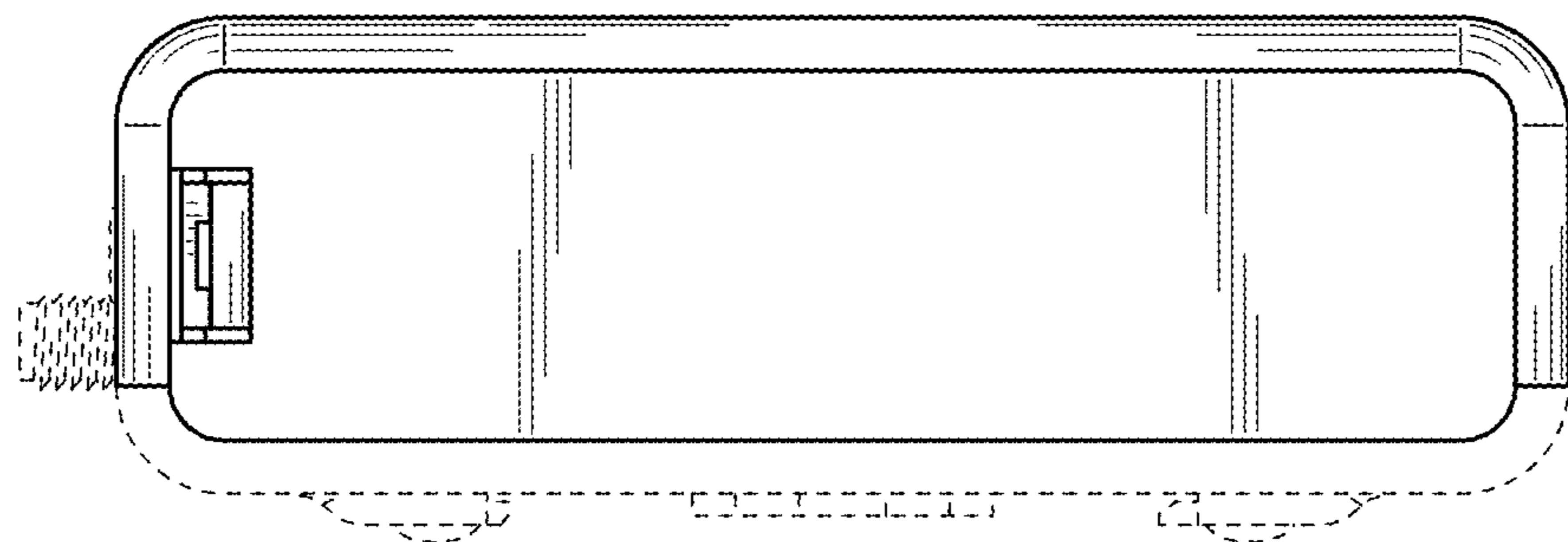


FIG. 5

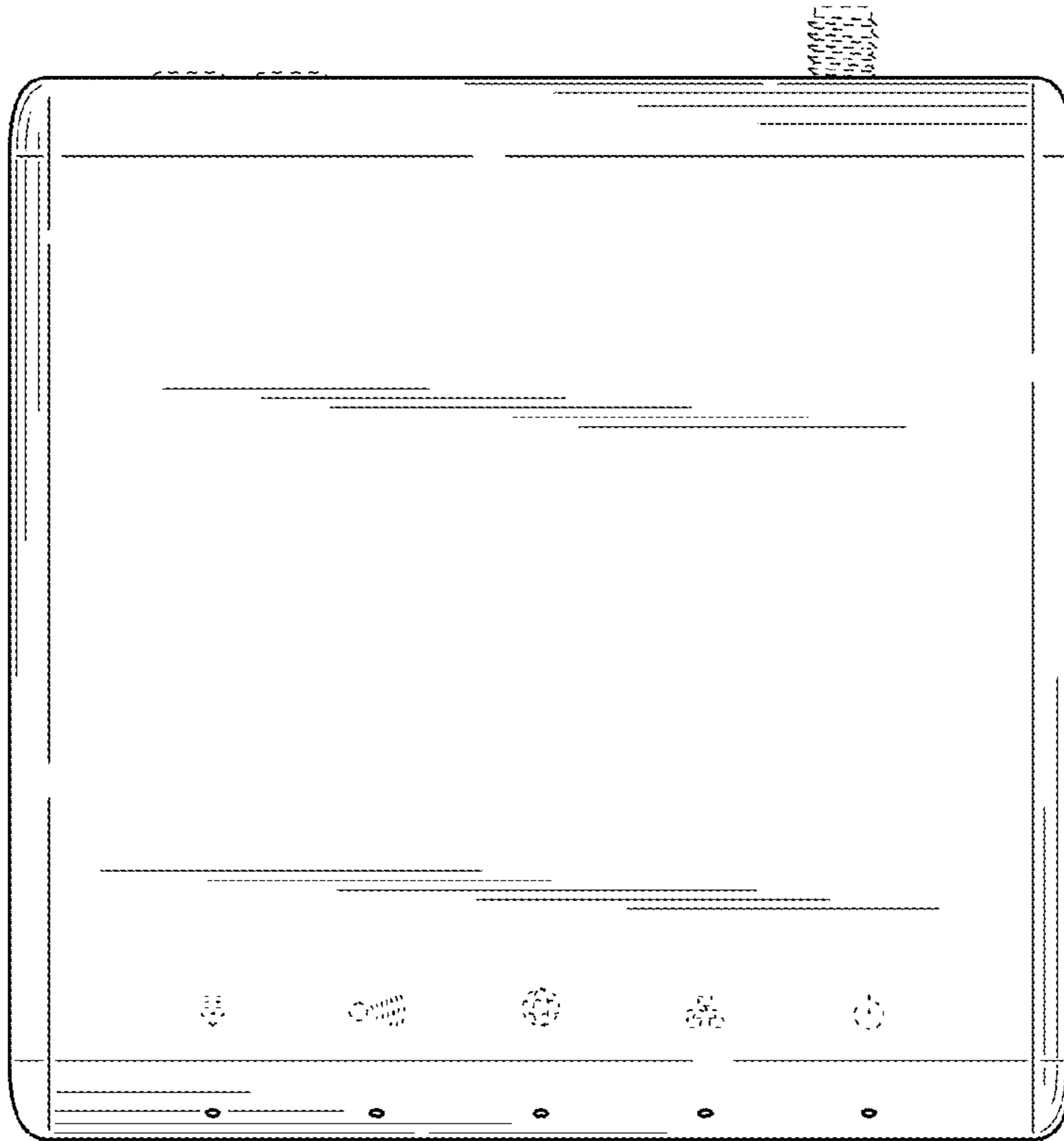


FIG. 6

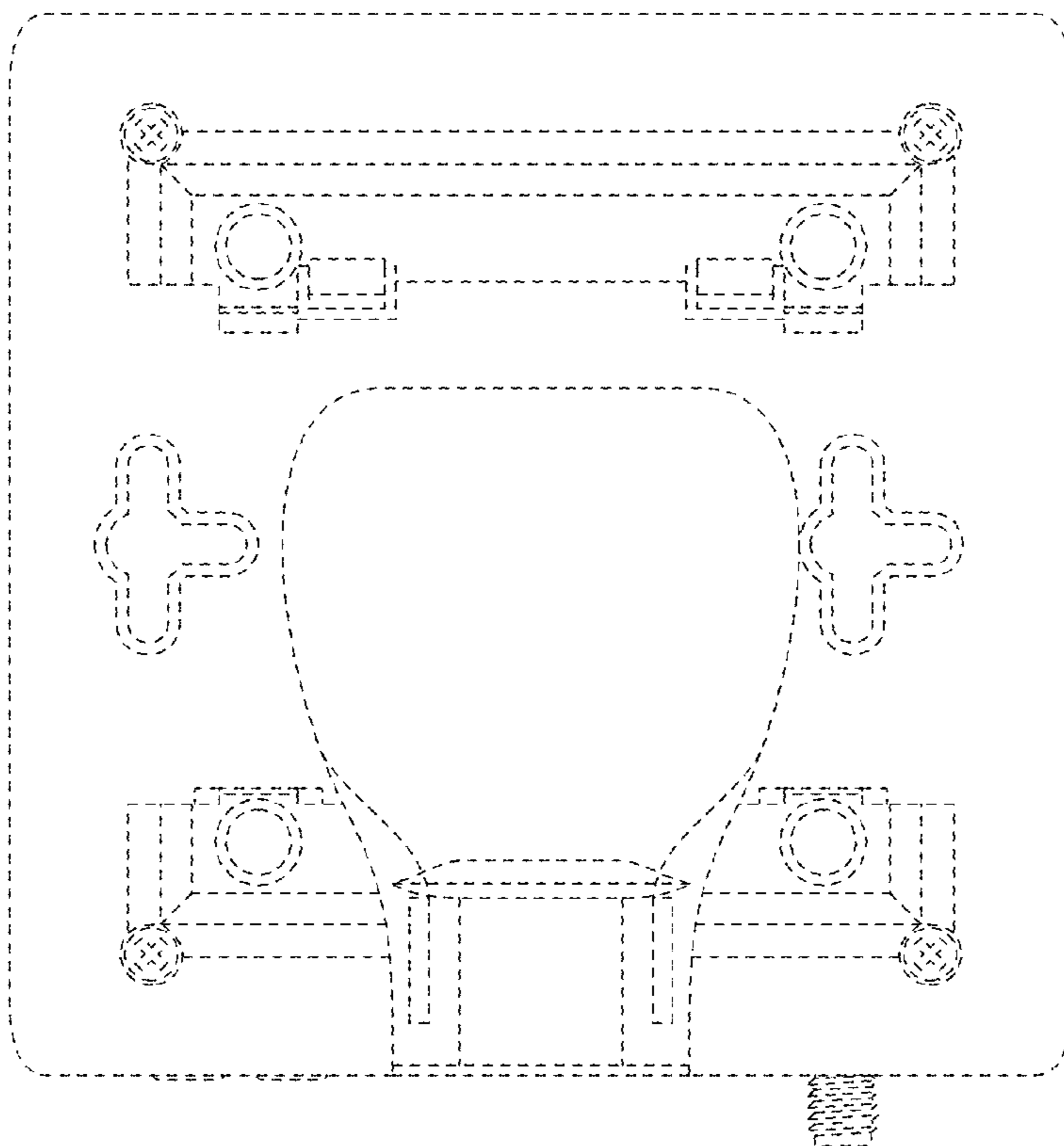


FIG. 7

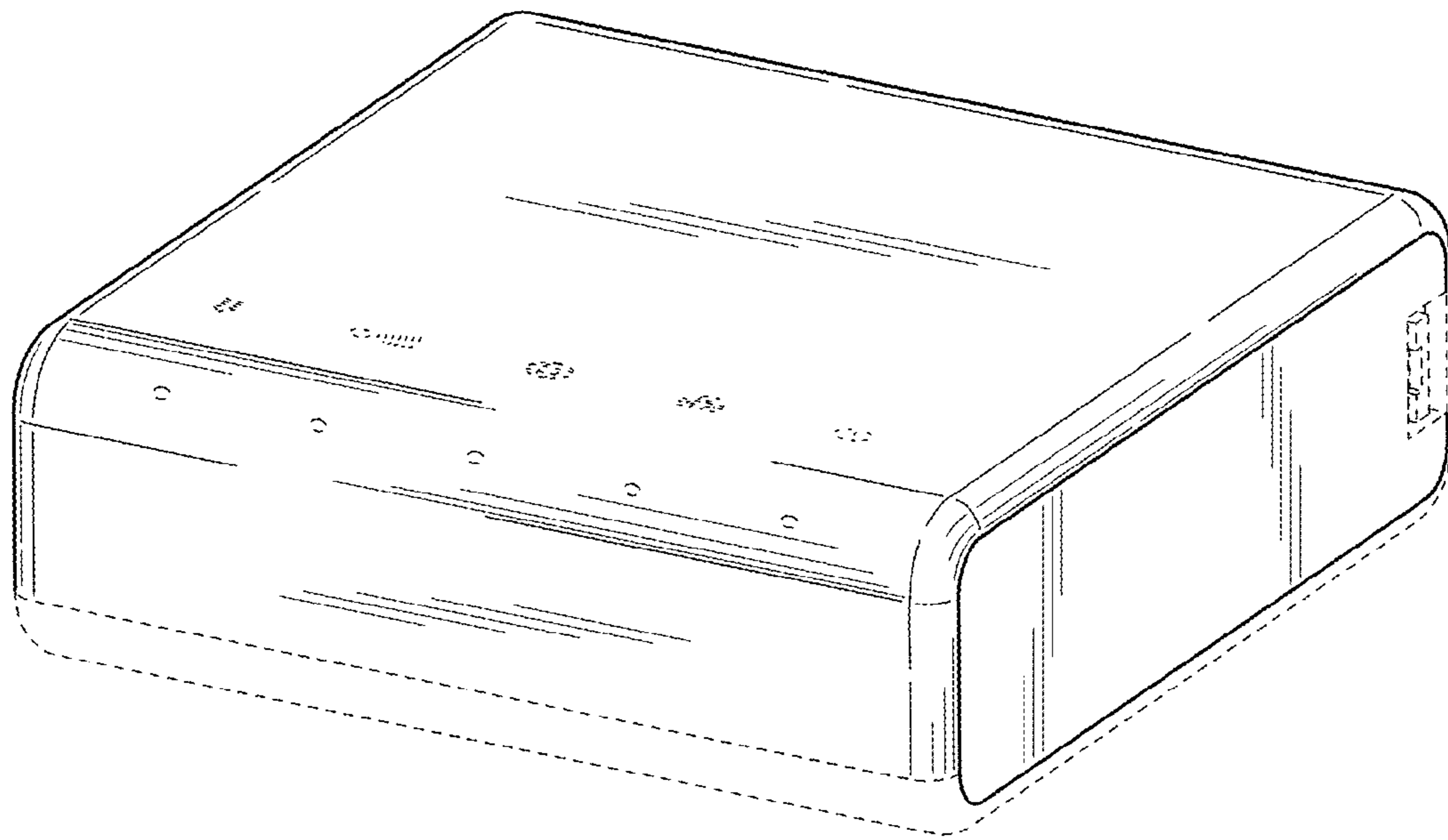


FIG. 8

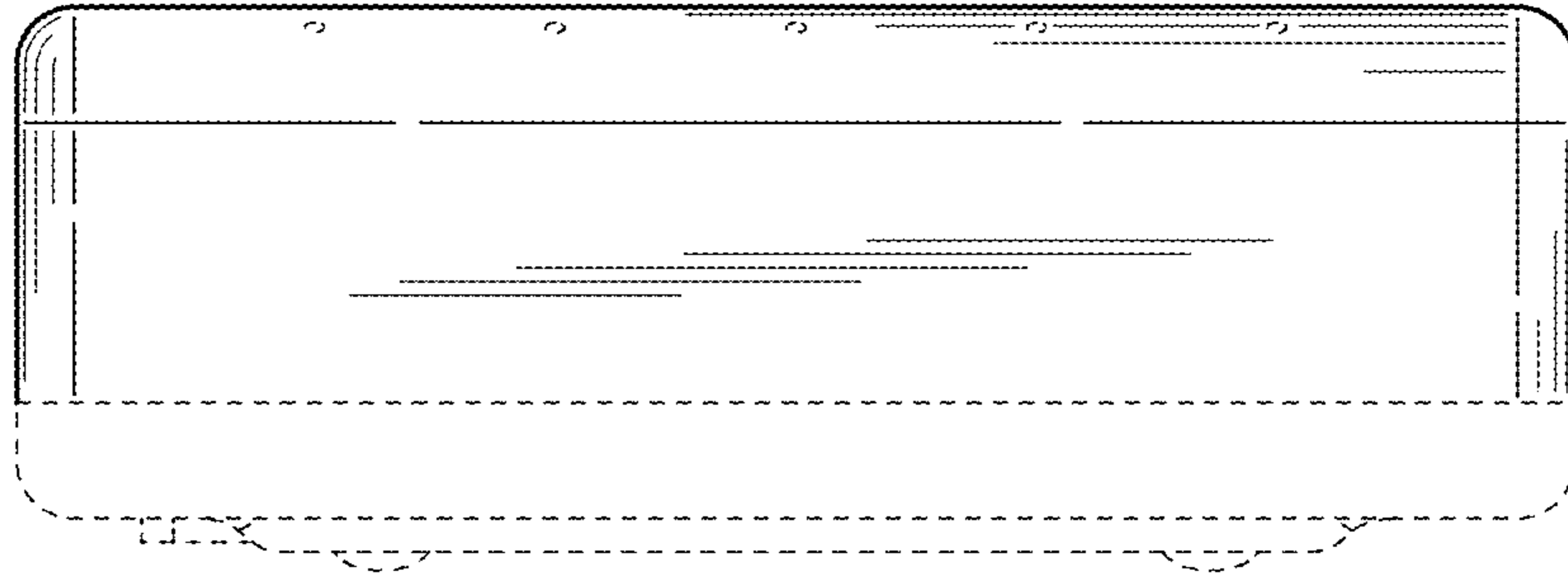


FIG. 9

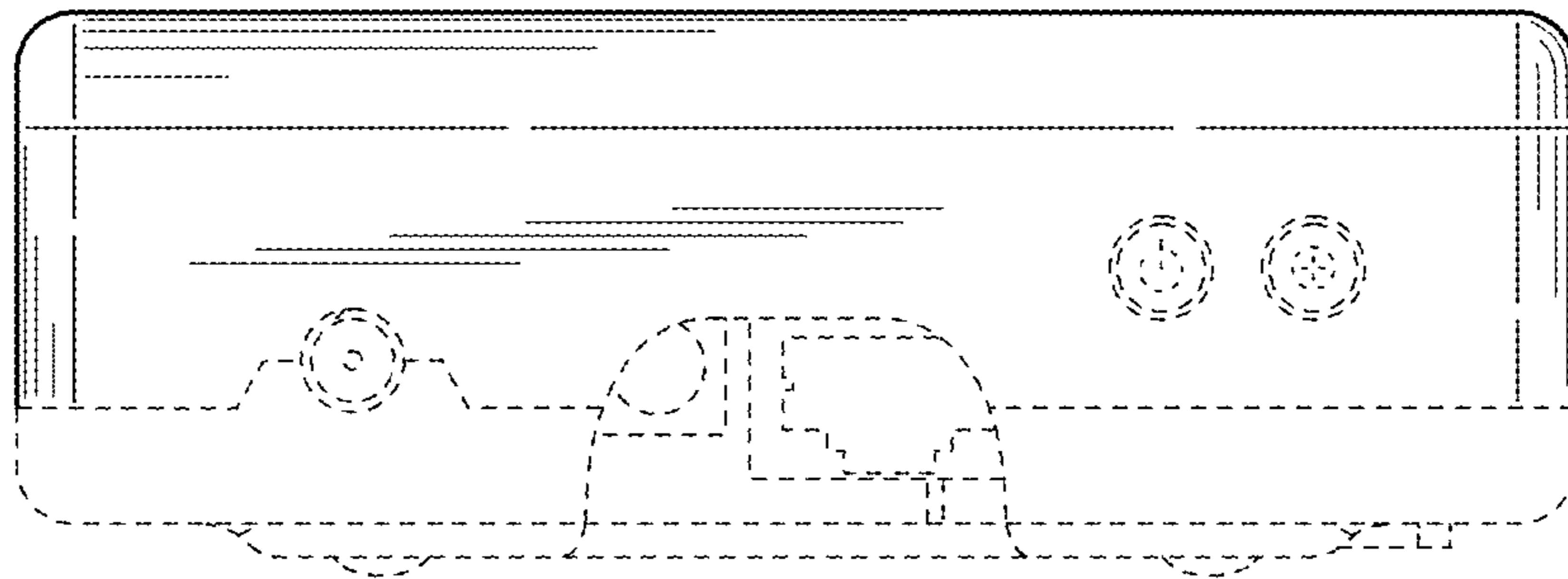


FIG. 10



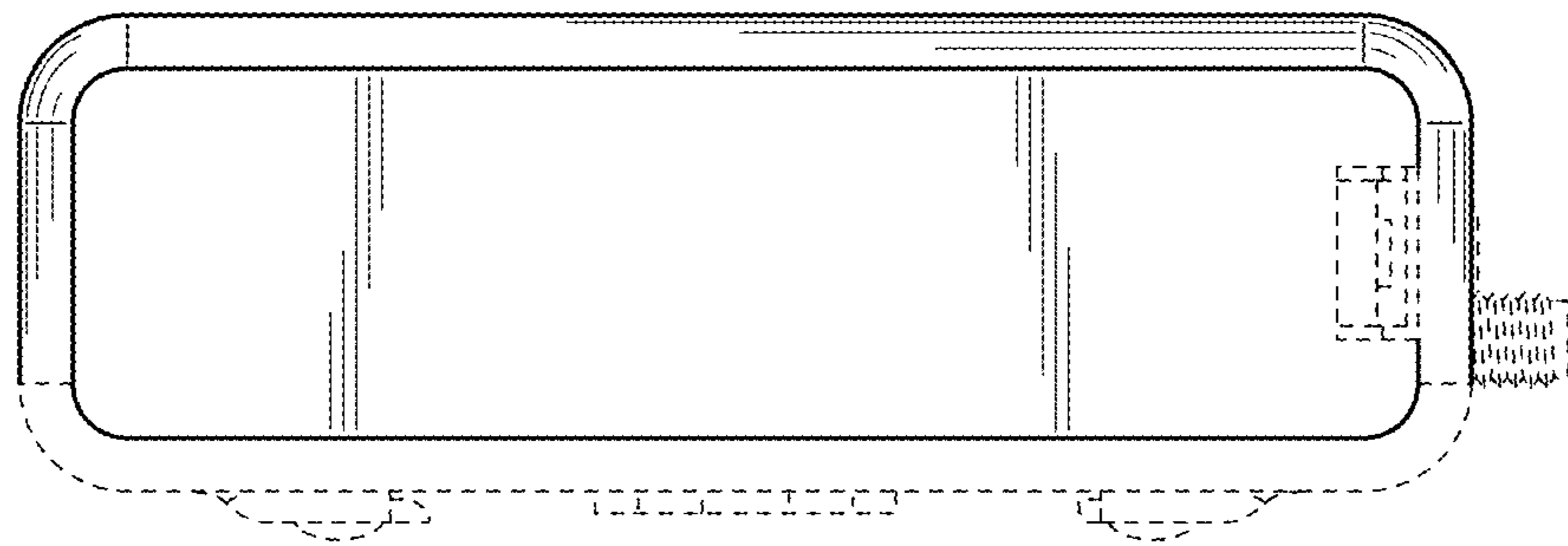


FIG. 11

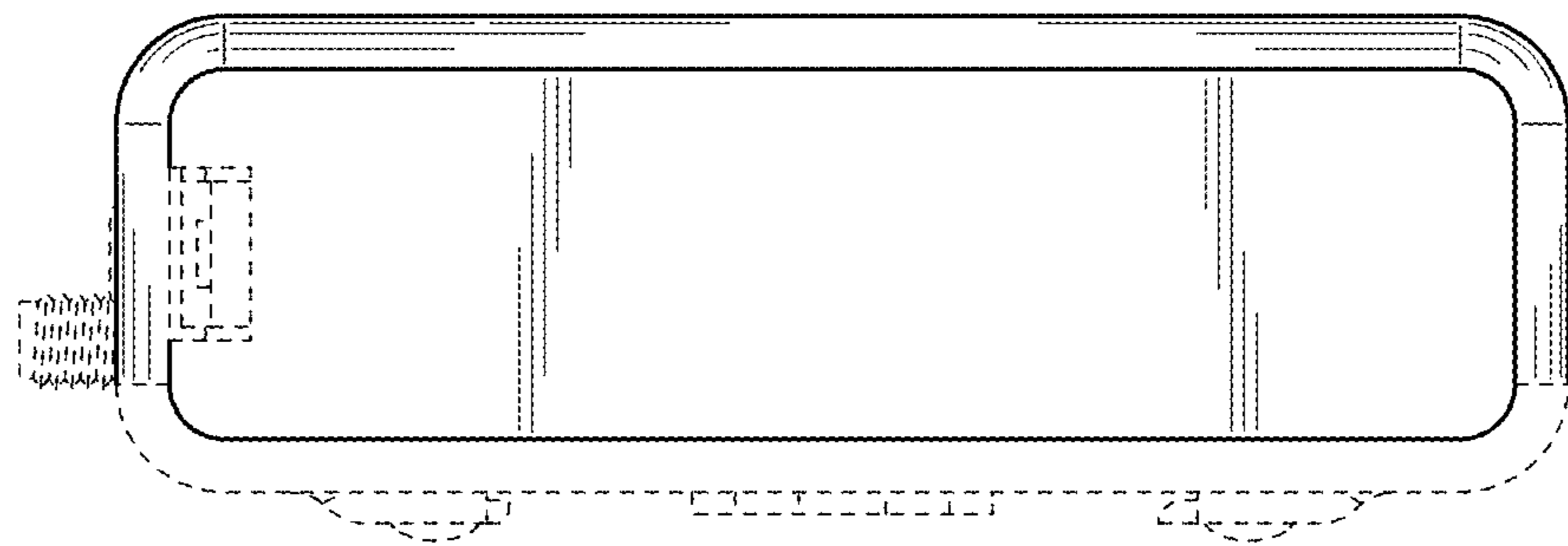


FIG. 12

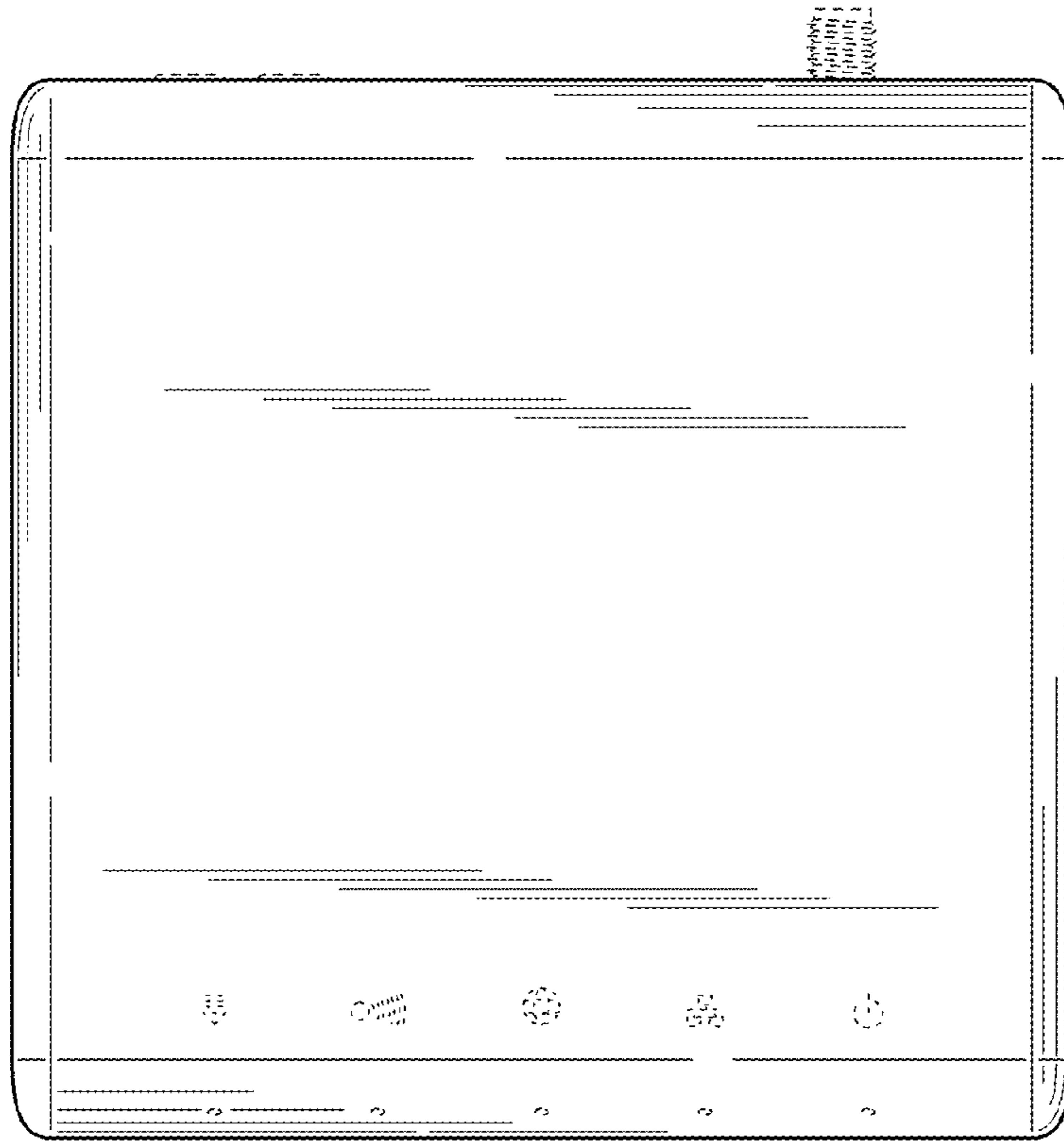


FIG. 13

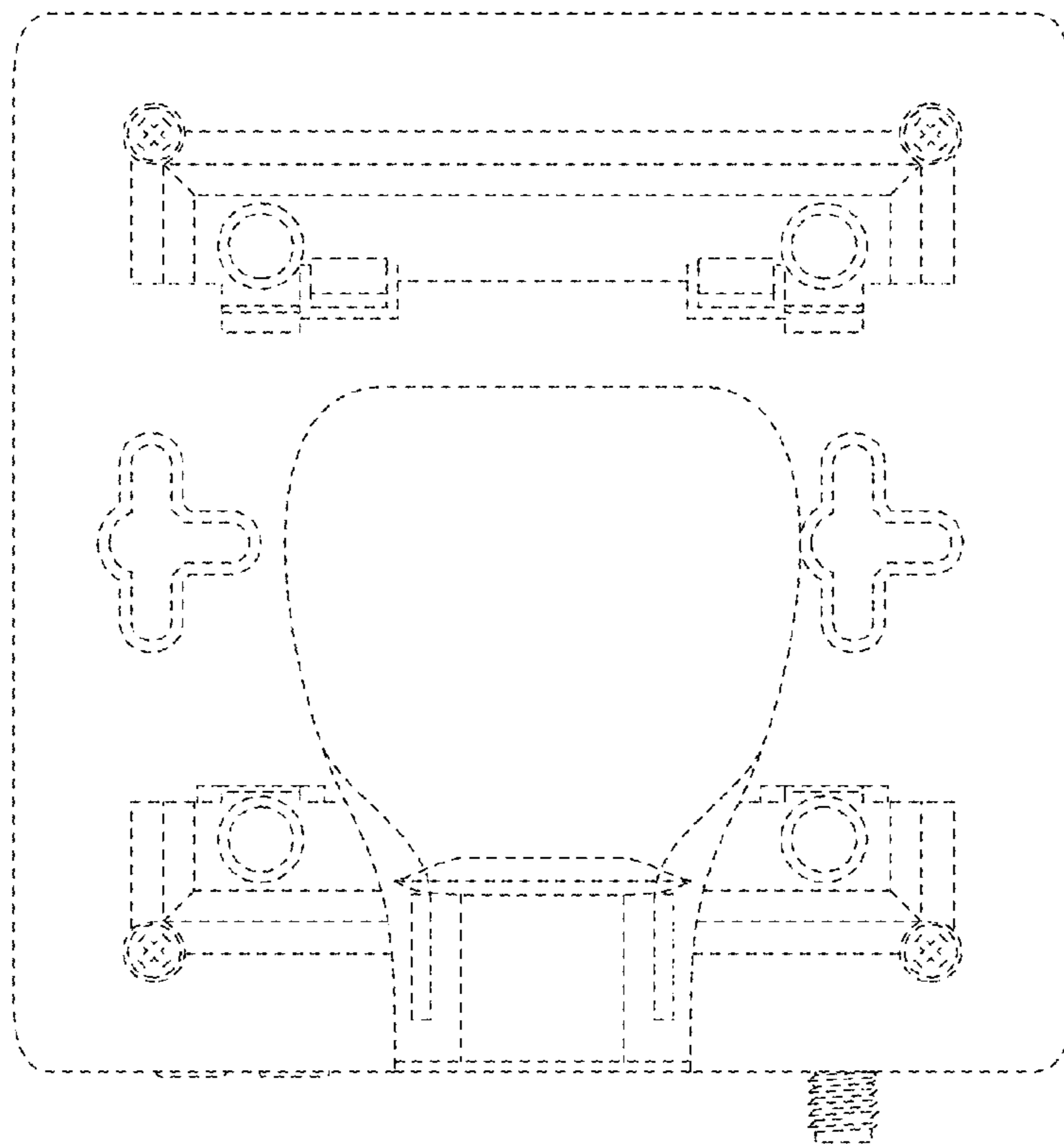


FIG. 14