



US00D719859S

(12) **United States Design Patent**
Koeniger et al.

(10) **Patent No.:** **US D719,859 S**

(45) **Date of Patent:** **** Dec. 23, 2014**

(54) **TRIPOD FOR MEASURING INSTRUMENTS**

(56) **References Cited**

(71) Applicant: **Hilti Aktiengesellschaft**, Schaan (LI)

U.S. PATENT DOCUMENTS

(72) Inventors: **Tobias Koeniger**, Bregenz (AT);
Christoph Schindler, Wolfurt (AT)

D276,622	S	12/1984	Mooney	
7,654,494	B2	2/2010	Cartoni et al.	
8,398,037	B2 *	3/2013	Johnson et al.	248/163.2
8,567,731	B2 *	10/2013	Nakaniwa	248/163.1
2012/0298829	A1 *	11/2012	Johnson et al.	248/440.1
2013/0270405	A1 *	10/2013	Hunter et al.	248/125.8

(73) Assignee: **Hilti Aktiengesellschaft**, Schaan (LI)

(**) Term: **14 Years**

* cited by examiner

(21) Appl. No.: **29/469,046**

Primary Examiner — Antoine D Davis

(22) Filed: **Oct. 7, 2013**

(74) *Attorney, Agent, or Firm* — Crowell & Moring LLP

Related U.S. Application Data

(62) Division of application No. 29/426,954, filed on Jul. 12, 2012, now Pat. No. Des. 694,139.

(57) **CLAIM**

The ornamental design for a tripod for measuring instruments, as shown and described.

DESCRIPTION

(30) **Foreign Application Priority Data**

Jan. 20, 2012 (WO) DM/077 611

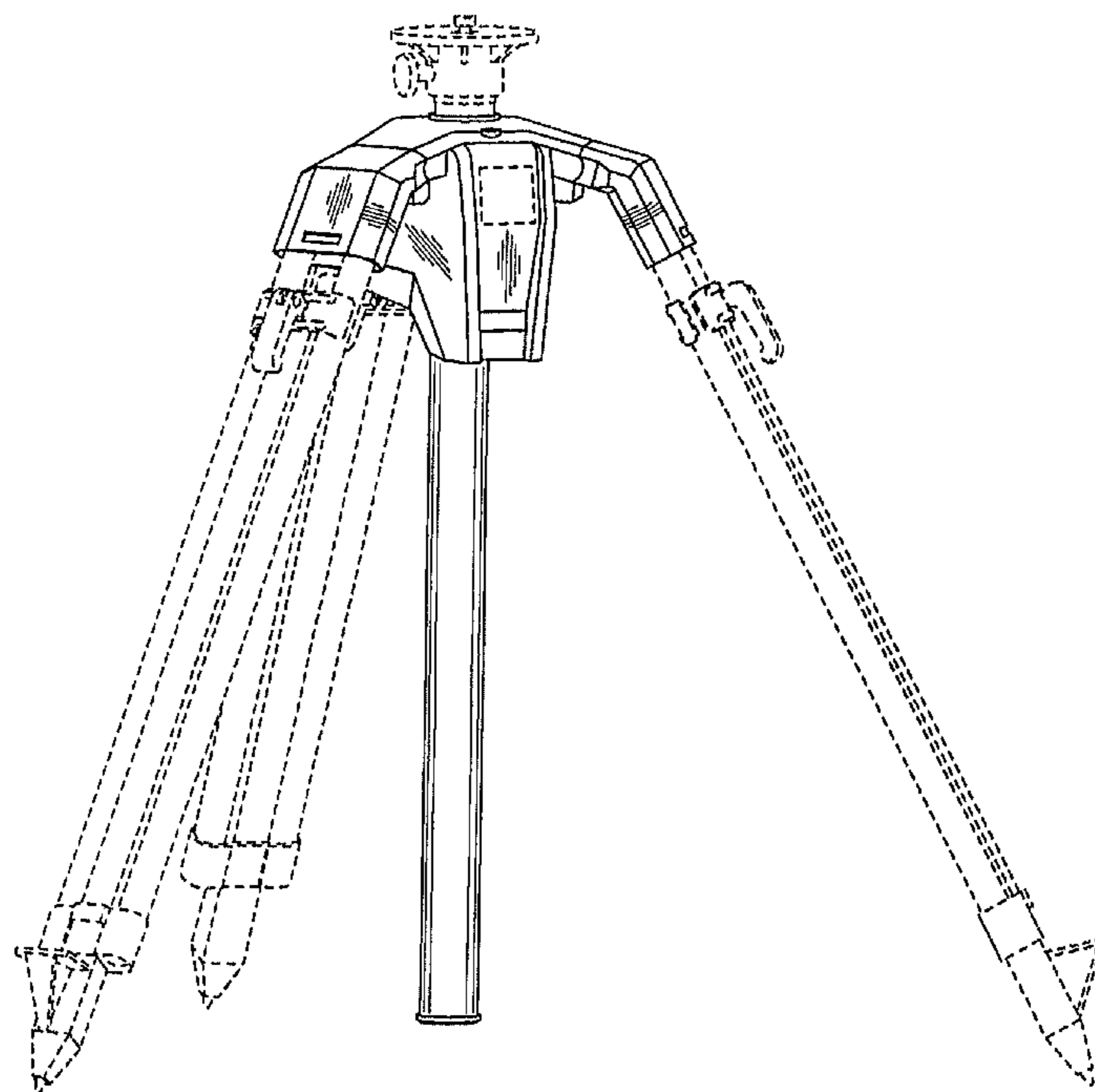
(51) **LOC (10) Cl.** **10-04**

(52) **U.S. Cl.**
USPC **D10/74; D16/244**

(58) **Field of Classification Search**
CPC F16M 11/16; F16M 11/32; F16M 11/36;
F16M 2200/08; G01C 15/00
USPC D10/74; D16/244; 248/163.1-440;
396/427, 428
See application file for complete search history.

FIG. 1 is a front, left perspective view of a tripod for measuring instruments according to the design;
FIG. 2 is a front view thereof;
FIG. 3 is a rear view thereof;
FIG. 4 is a right side view thereof;
FIG. 5 is a left side view thereof;
FIG. 6 is a top view thereof;
FIG. 7 is a bottom view thereof;
FIG. 8 is a top, front, right perspective view thereof;
FIG. 9 is a bottom, rear, left perspective view thereof; and,
FIG. 10 is a bottom, front, right perspective view thereof.
The broken lines are for illustrative purposes only and form no part of the claimed design.

1 Claim, 10 Drawing Sheets



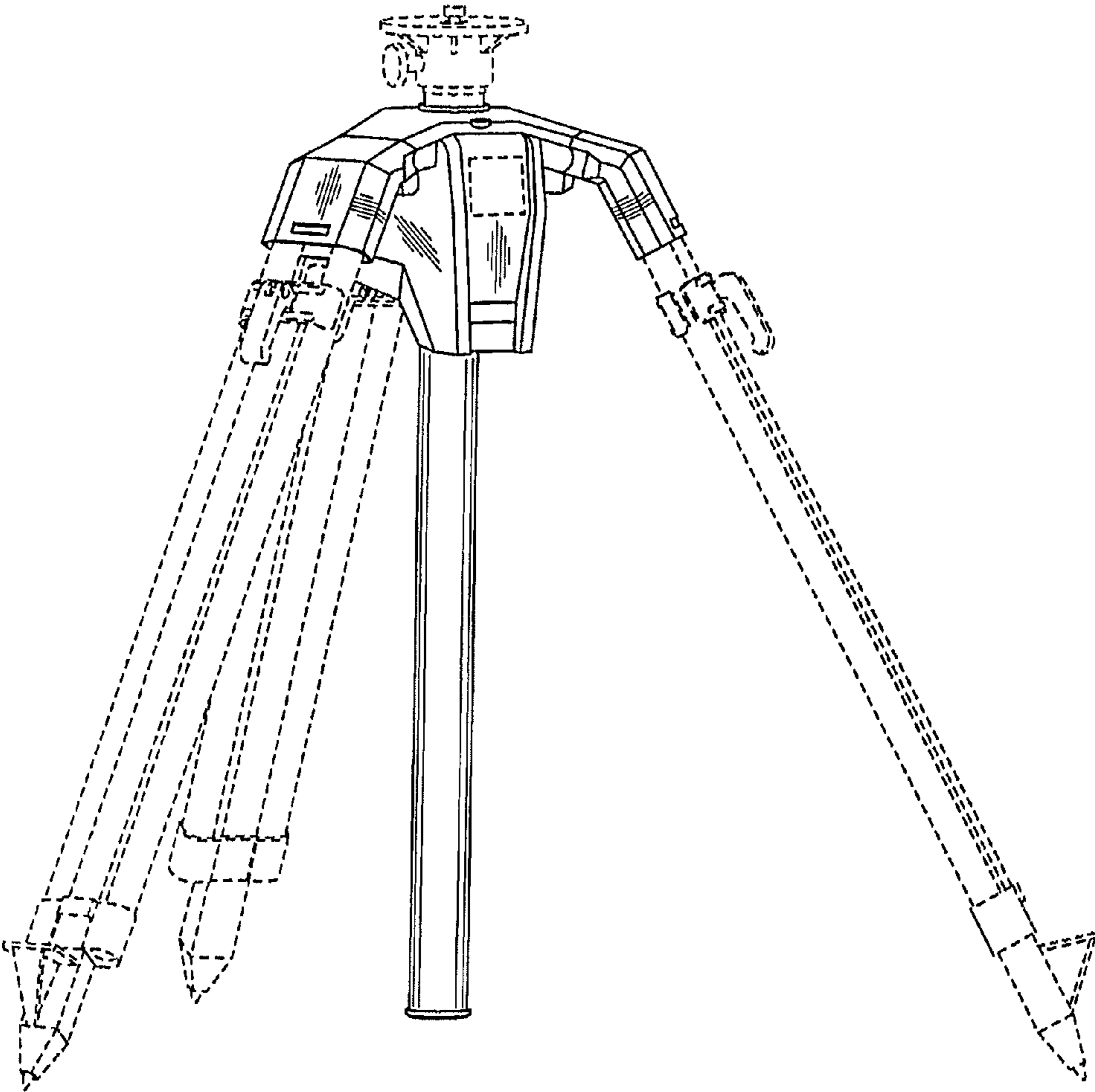


FIG. 1

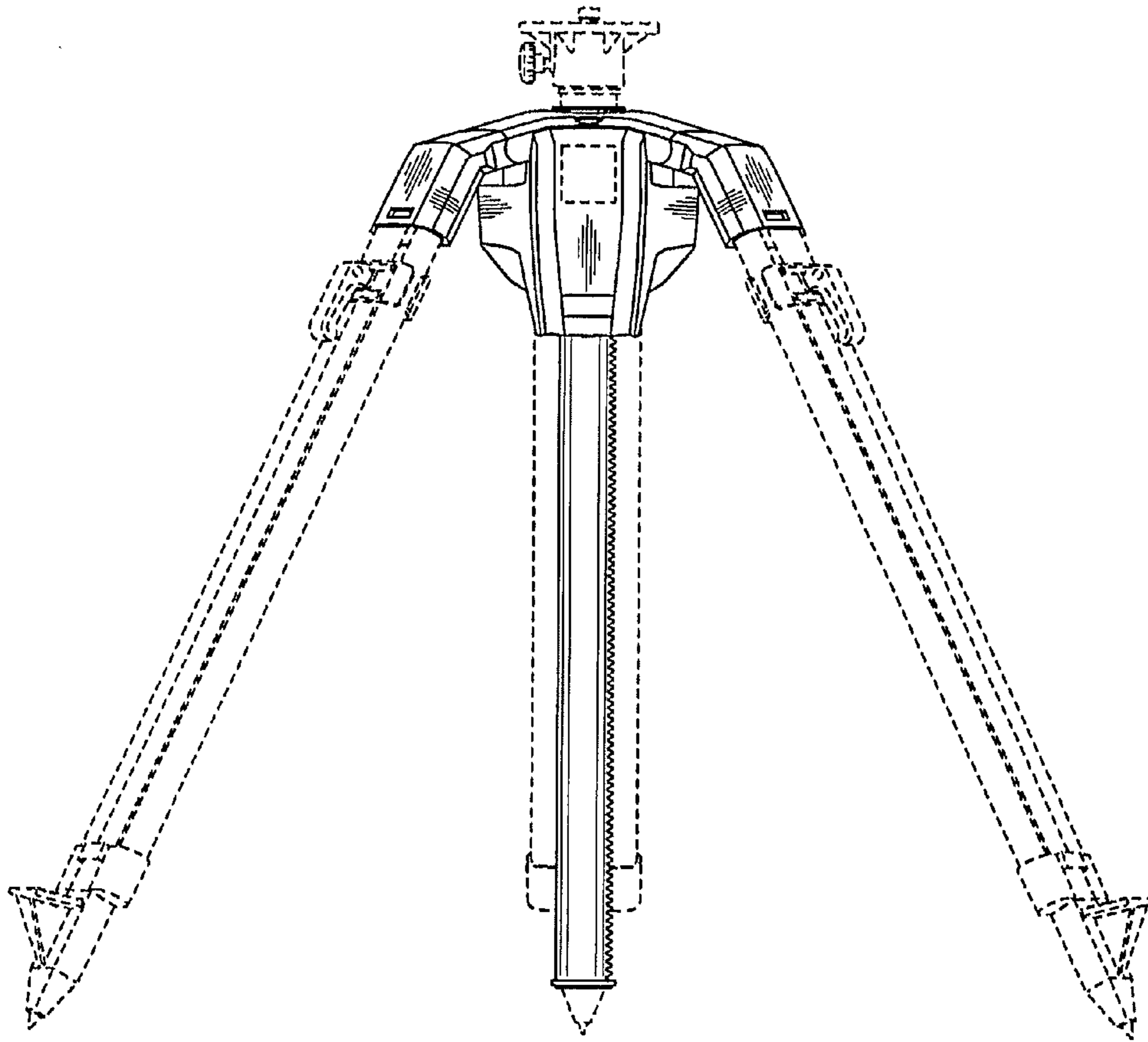


FIG. 2

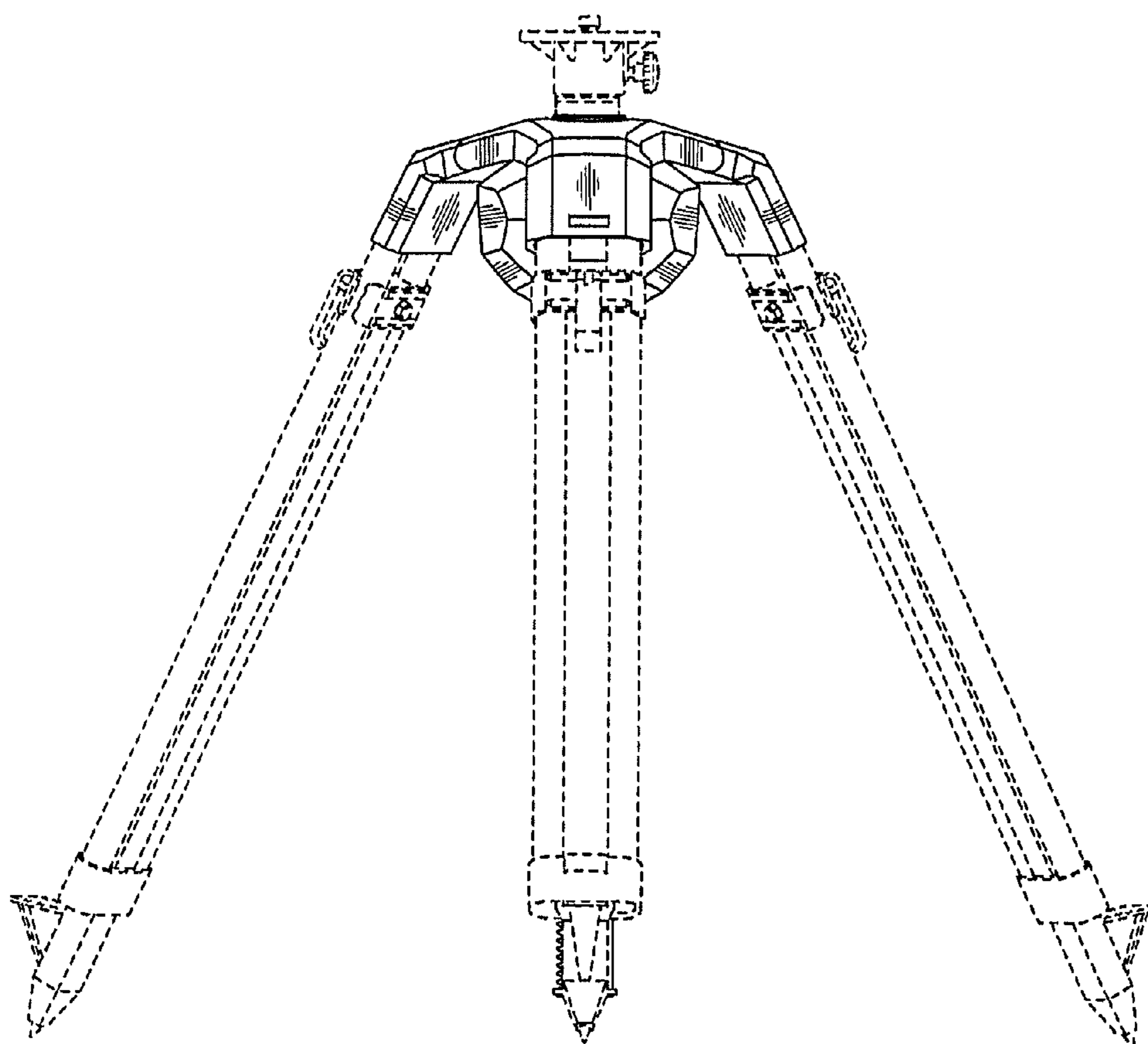


FIG. 3

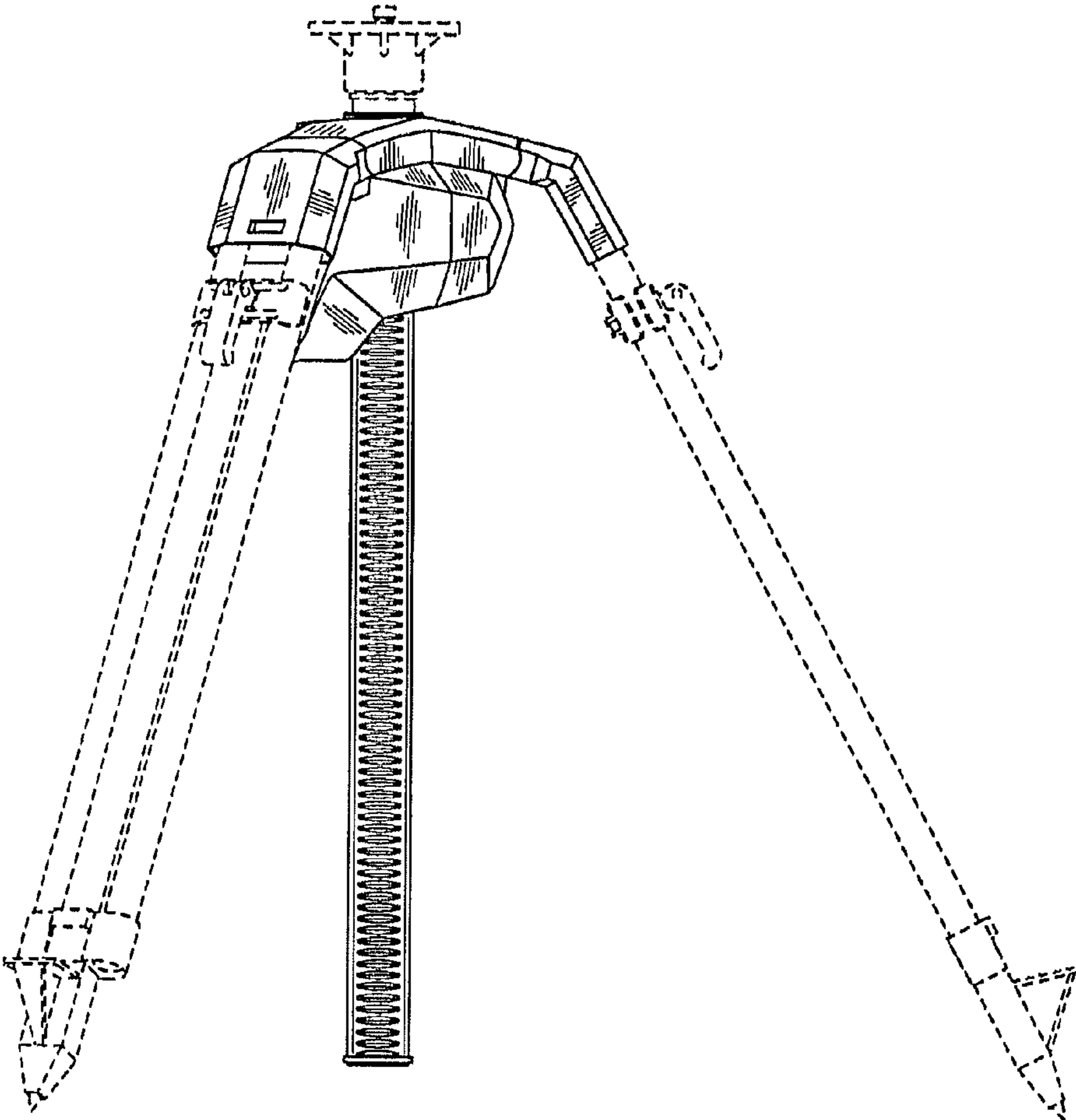


FIG. 4

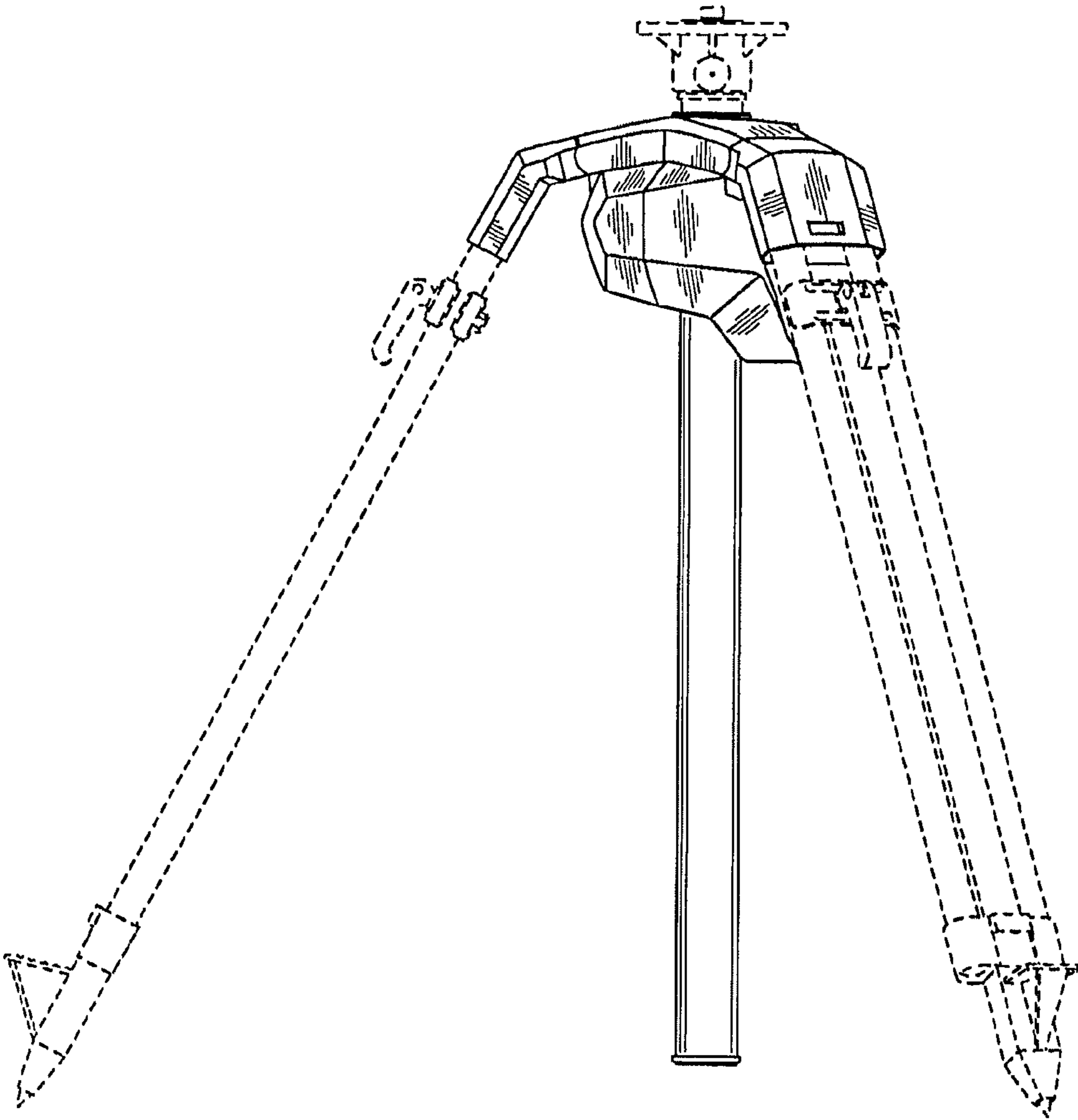


FIG. 5

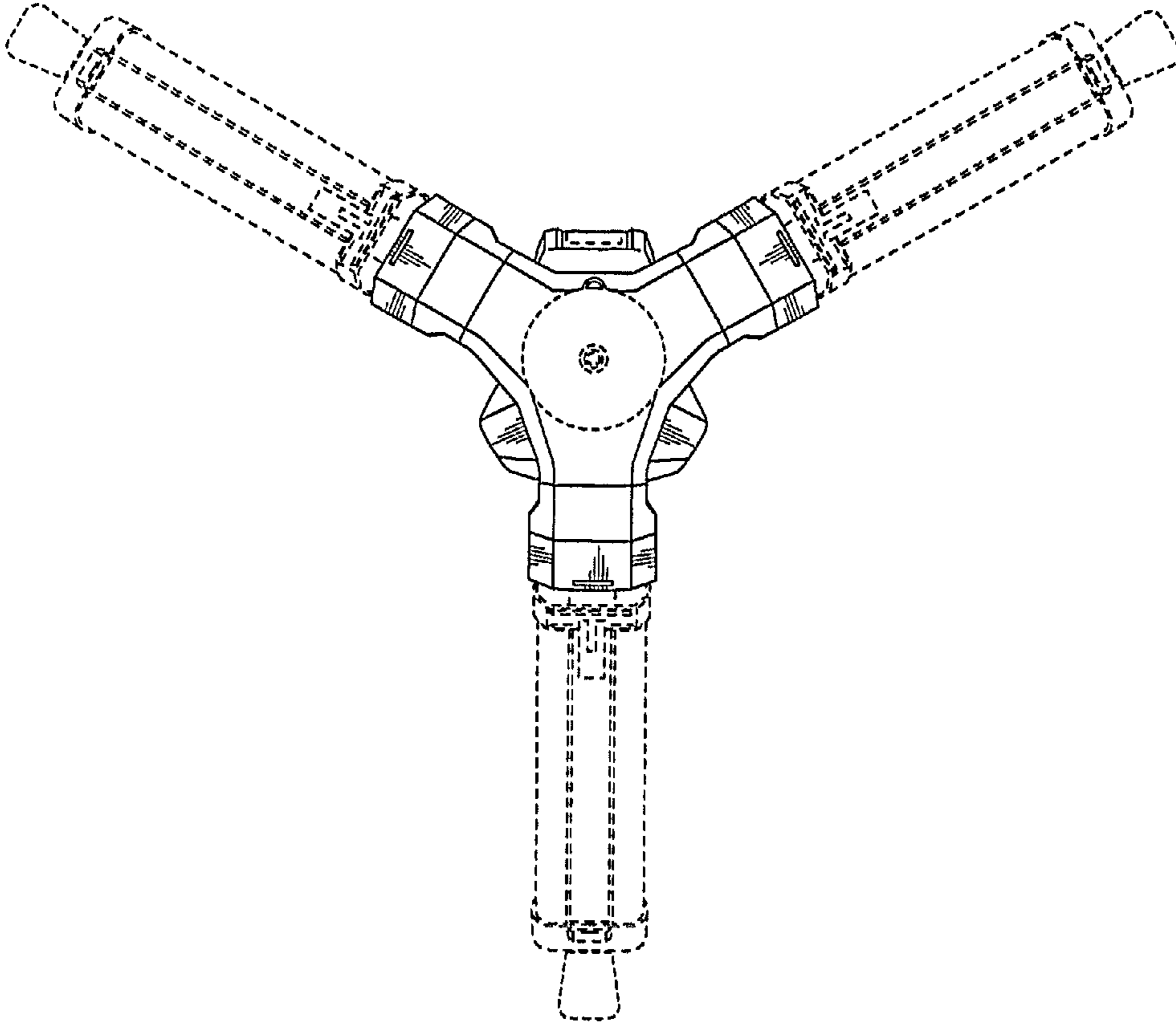


FIG. 6

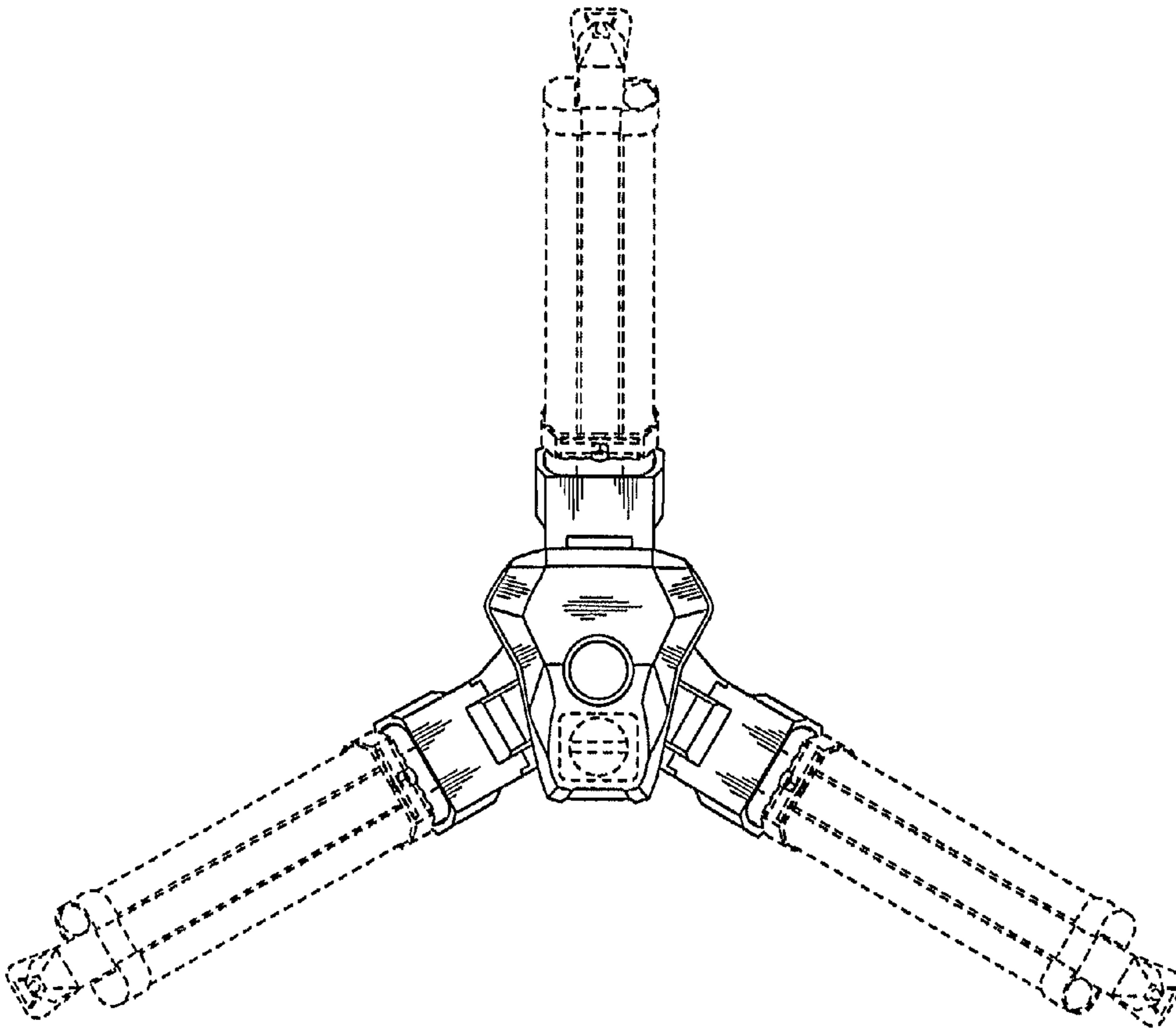


FIG. 7

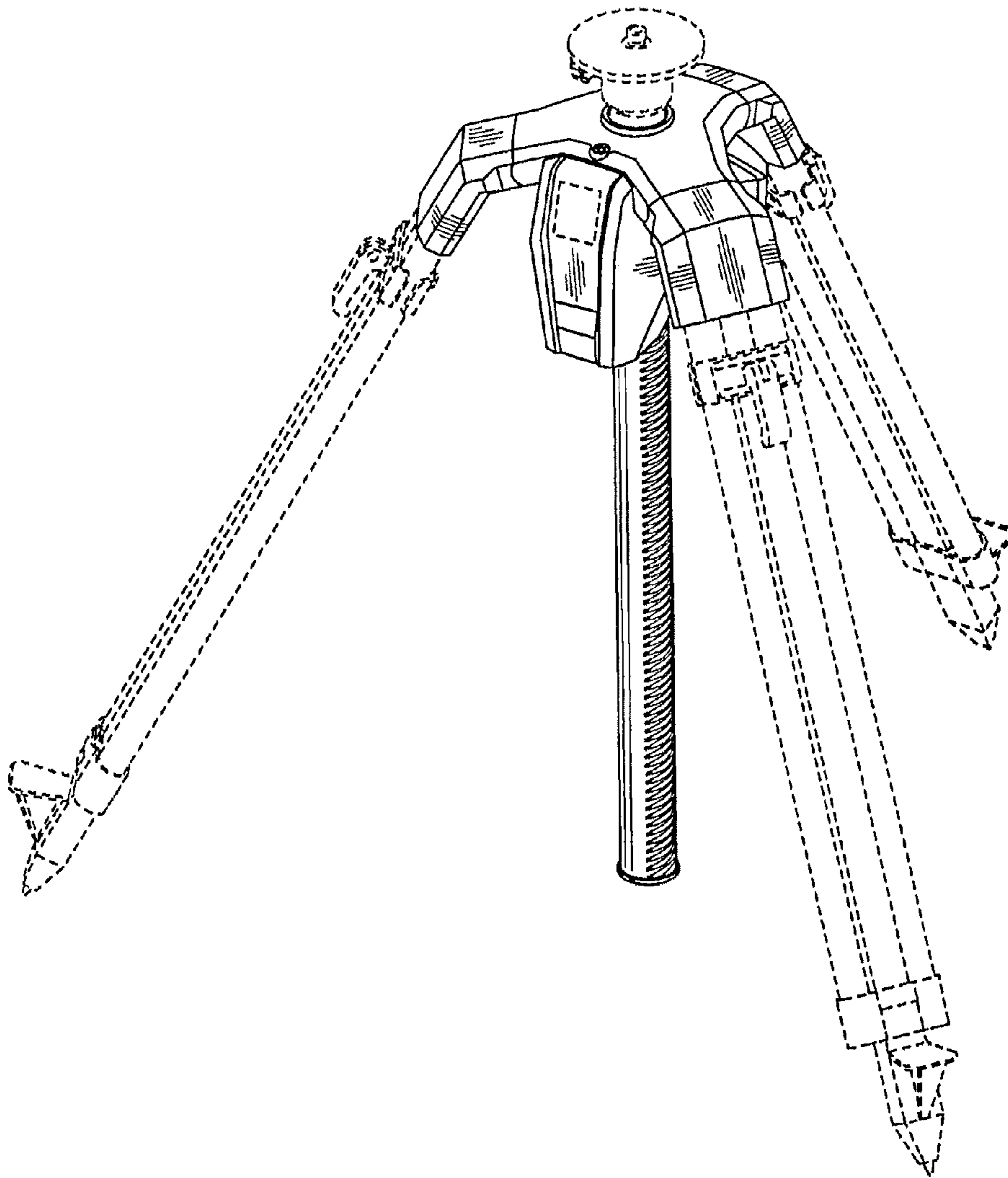


FIG. 8

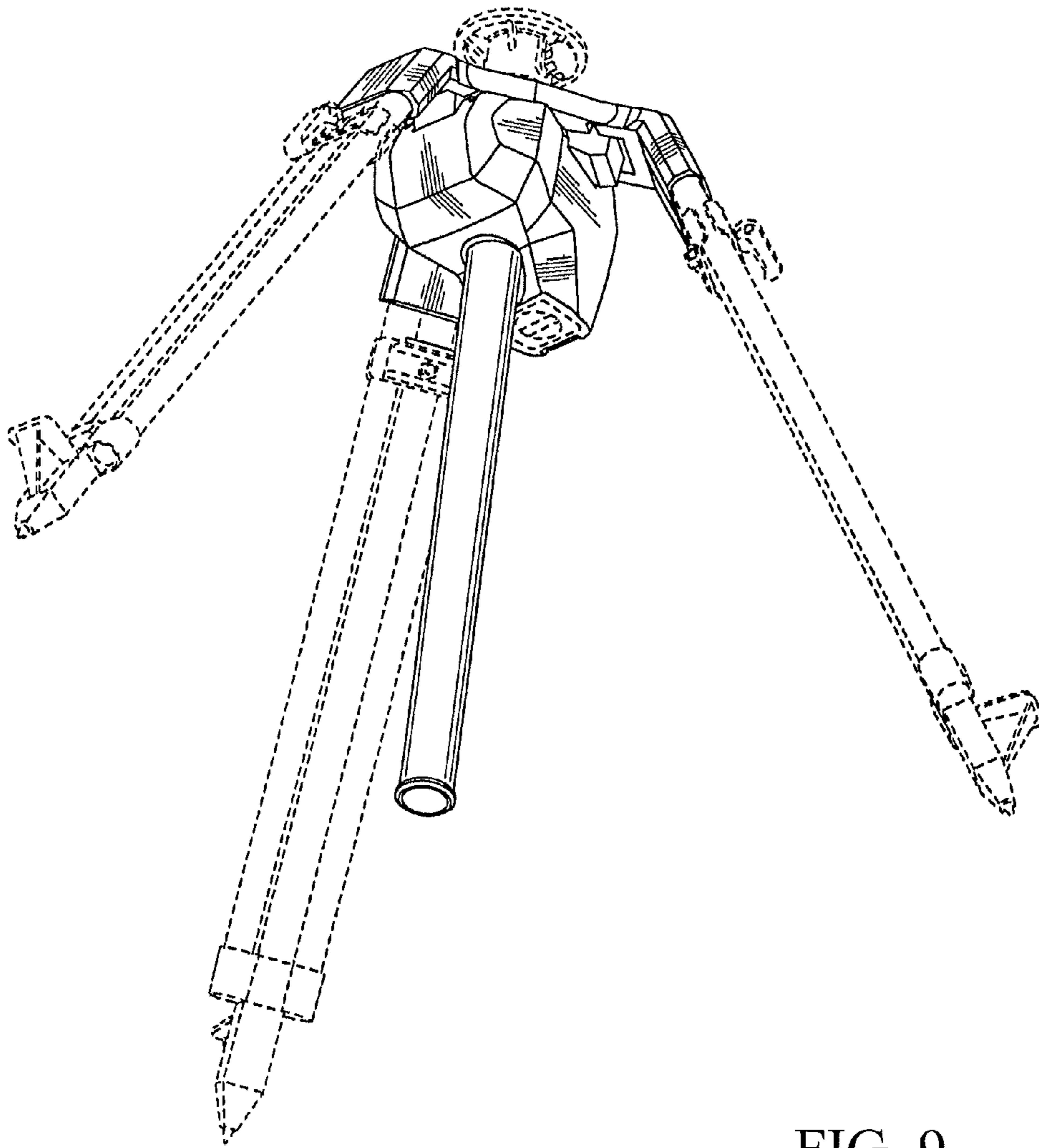


FIG. 9

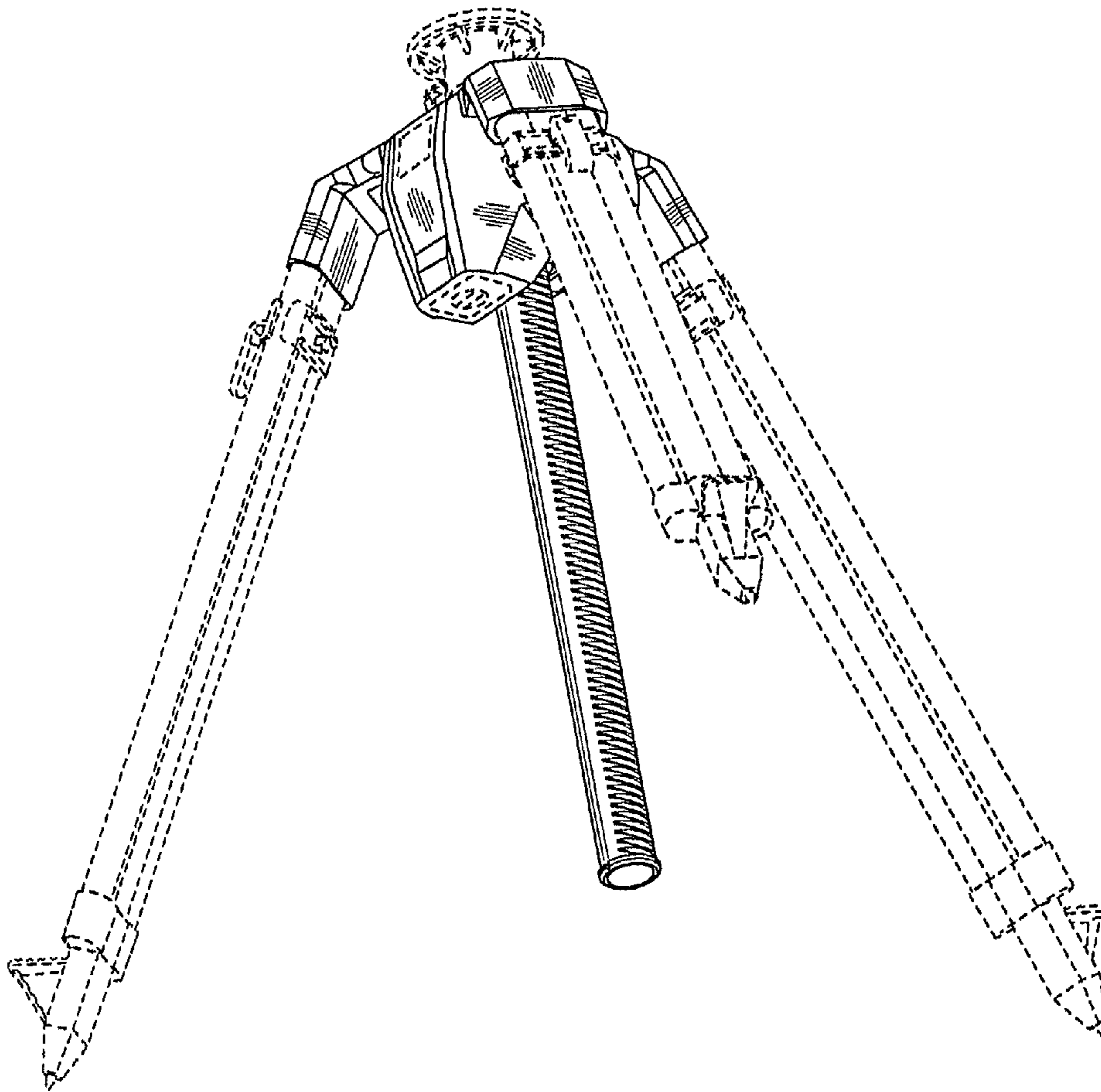


FIG. 10