



US00D719857S

(12) **United States Design Patent**  
**Groener et al.**

(10) **Patent No.:** **US D719,857 S**  
(45) **Date of Patent:** **\*\* Dec. 23, 2014**

(54) **ELECTRONIC DEVICE**

(71) Applicant: **Garmin Switzerland GmbH**,  
Schaffhausen (CH)

(72) Inventors: **Gregory M. Groener**, Prairie Village,  
KS (US); **Mark B. Emge**, Olathe, KS  
(US); **Shawn R. Harvill**, Kansas City,  
KS (US); **Troy D. Simonton**, Paola, KS  
(US)

(73) Assignee: **Garmin Switzerland GmbH (CH)**

(\*\*) Term: **14 Years**

(21) Appl. No.: **29/471,947**

(22) Filed: **Nov. 6, 2013**

(51) **LOC (10) Cl.** ..... **10-04**

(52) **U.S. Cl.**  
USPC ..... **D10/70; D10/65**

(58) **Field of Classification Search**

CPC ..... G08G 1/096883; G08G 1/096872;  
G08G 1/096775; G01C 21/16; G01C 21/3688;  
G01C 21/30; G01C 21/265; G01C 21/26;  
G01C 21/00; G01C 21/3632; G01C 21/3617;  
G01C 25/005; G01C 21/3664; G01P 3/22;  
G01P 3/50; G01P 15/18; G06F 3/04  
USPC ..... D10/65, 70; D14/138 R, 138 AA,  
D14/138 AB, 138 AC, 138 AD, 341-347,  
D14/507-510, 136, 167, 168, 496, 498, 499,  
D14/500, 125-134, 239, 371, 374-377, 440,  
D14/450, 448, 336, 342; 343/702; 345/87,  
345/104, 133, 156, 168, 173, 901-905,  
345/165; 348/180, 184, 315, 739, 836, 838,  
348/325; 364/444, 499; 701/408-418, 431,  
701/432, 537, 1, 454, 428, 440, 400, 491,  
701/526, 455, 444, 36, 541, 487; 312/7.2;  
341/12; 720/605, 669, 600, 655;  
369/99, 197; 455/344, 347, 575.1;  
250/221, 338.3, 340, 239, 342, 341,  
250/DIG. 1, 353, 338.1; 307/116, 117, 9.1,  
307/10.1; 340/521, 527, 541, 567, 540,  
340/568.2, 539.23, 635, 687, 425.5, 815.4,  
340/901, 988, 989, 990, 992, 995.1, 562,  
340/815.45; 315/159; 324/72.5, 556, 133,  
324/149, 503, 543, 555, 66, 72, 754, 115,

324/141, 522; 73/615, 624, 627, 644,  
73/514.33, 514.34, 510, 513, 527, 530

See application file for complete search history.

(56) **References Cited**

U.S. PATENT DOCUMENTS

D461,133 S \* 8/2002 Lam et al. .... D10/65  
D549,116 S \* 8/2007 Rhine et al. .... D10/65  
D611,847 S \* 3/2010 Fraser et al. .... D10/65  
D700,081 S \* 2/2014 Balschweit et al. .... D10/65

OTHER PUBLICATIONS

Printout from <http://www.lowrance.com/en-US/Products/Sonar/Lowrance-StructureScan-HD-en-us.aspx>; published prior to Nov. 6, 2013.

Printout from <https://buy.garmin.com/en-US/US/on-the-water/sounders/gsd-24-digital-remote-sounder/prod86233.html> published prior to Nov. 6, 2013.

\* cited by examiner

*Primary Examiner* — Antoine D Davis

(74) *Attorney, Agent, or Firm* — Samuel M. Korte;  
Mohammad M. Ali

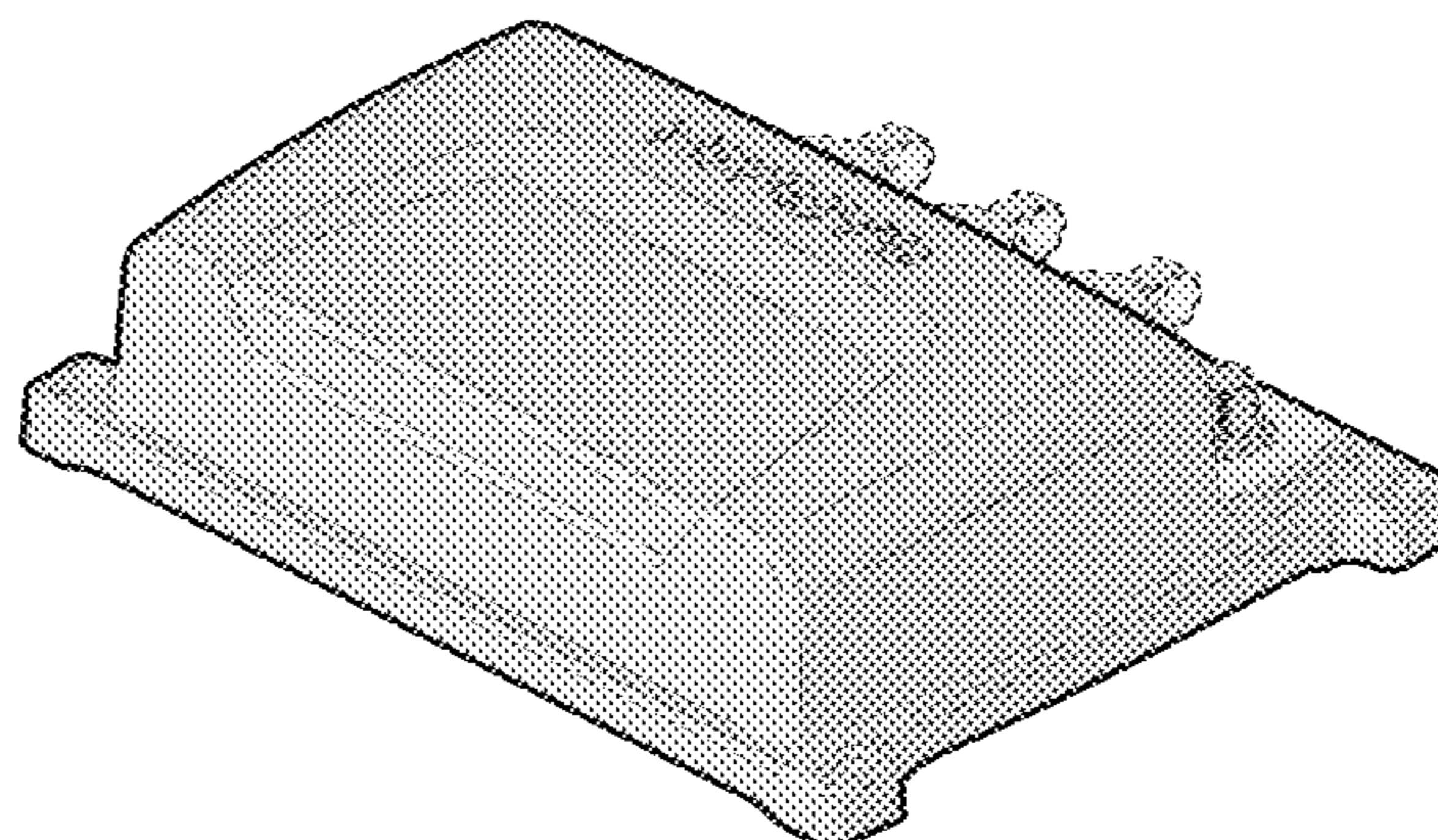
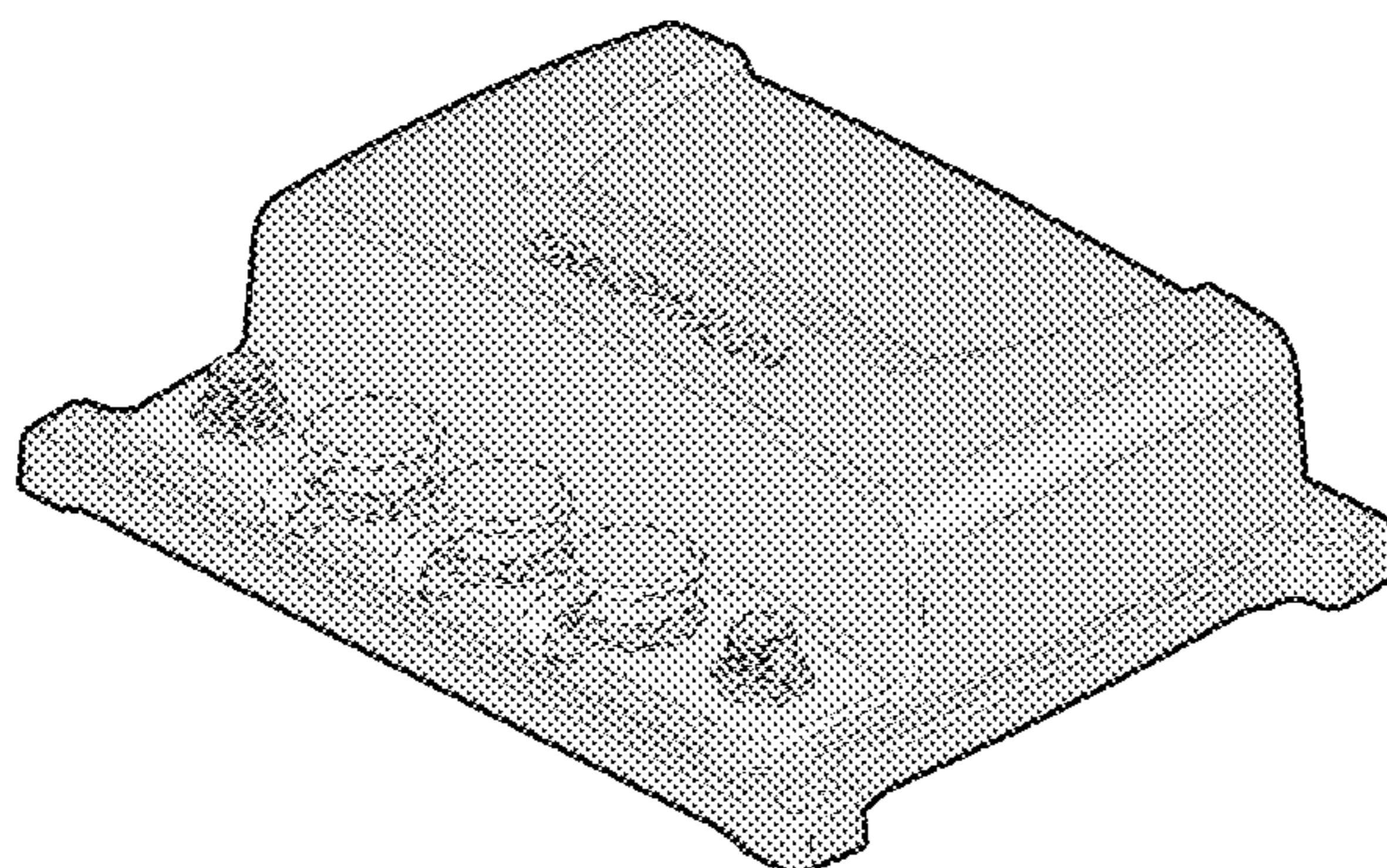
(57) **CLAIM**

The ornamental design for an electronic device, as shown and described.

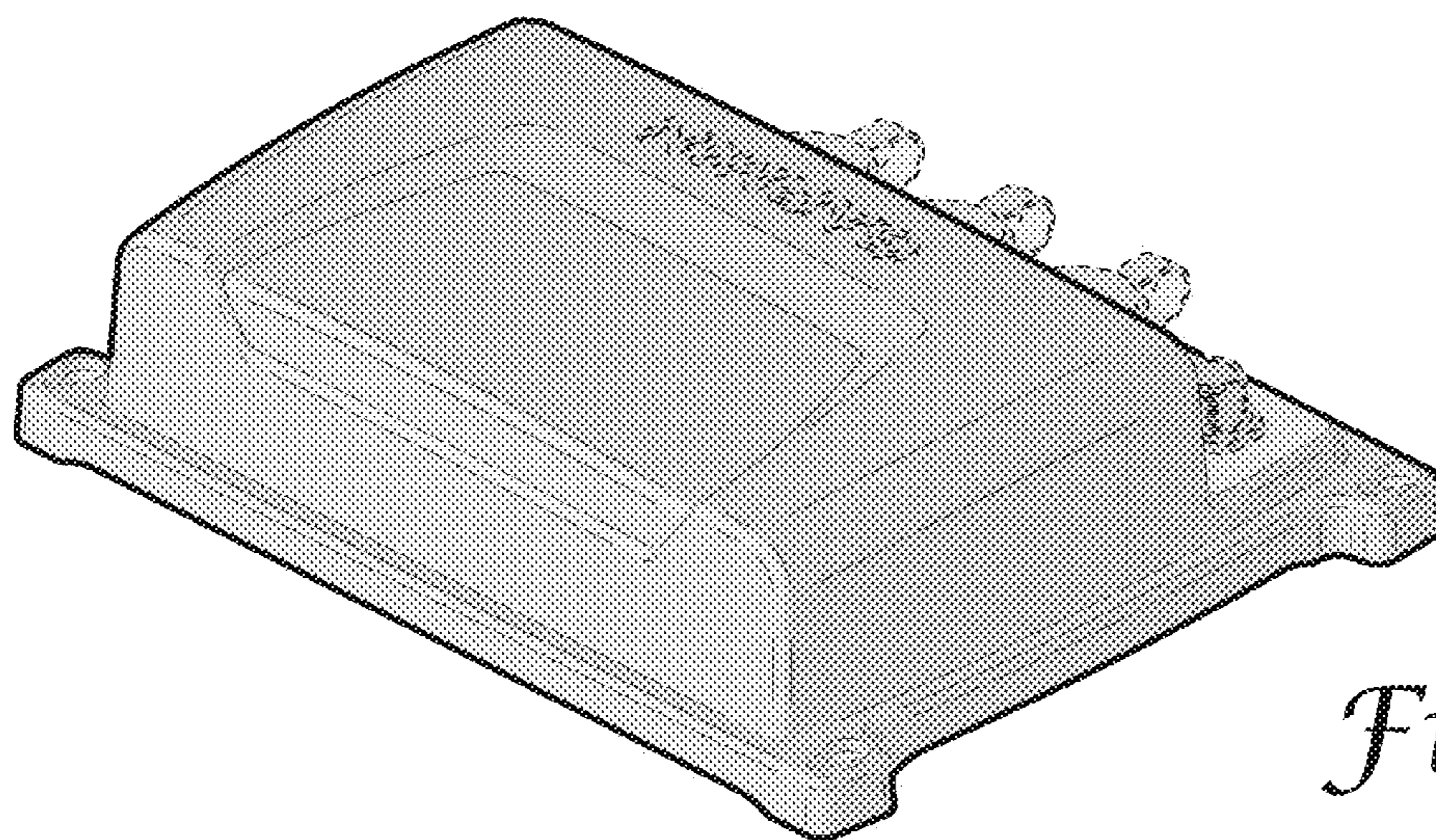
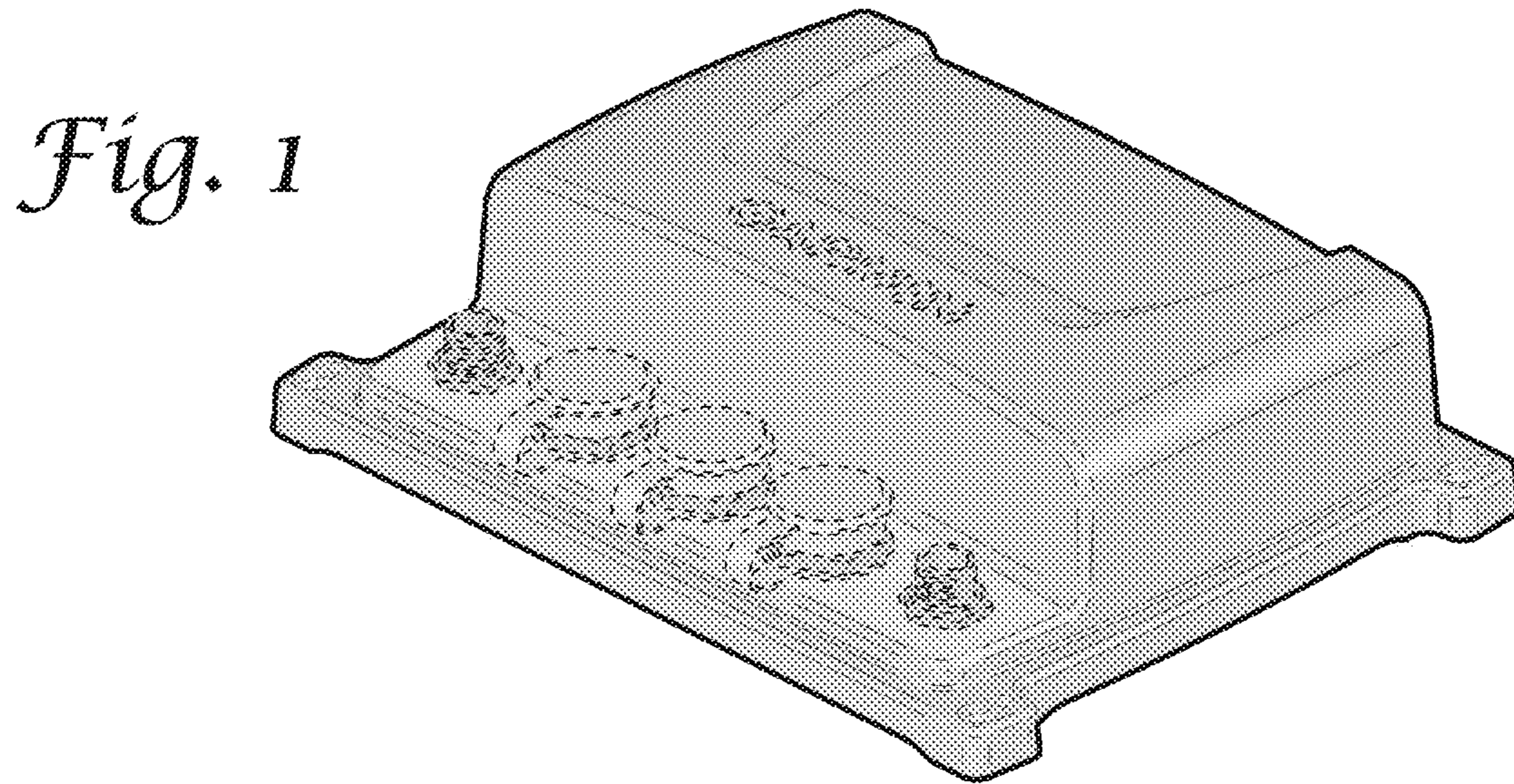
**DESCRIPTION**

FIG. 1 is a front perspective view of an electronic device according to embodiments of the present invention; FIG. 2 is a rear perspective view of the electronic device; FIG. 3 is a front view of the electronic device; FIG. 4 is a top view of the electronic device; FIG. 5 is a rear view of the electronic device; FIG. 6 is a bottom view of the electronic device; FIG. 7 is a left side view of the electronic device; and, FIG. 8 is a right side view of the electronic device. Portions of FIGS. 1 through 8 are shown in dashed lines for illustrative purposes only and form no part of the claimed design.

**1 Claim, 3 Drawing Sheets**

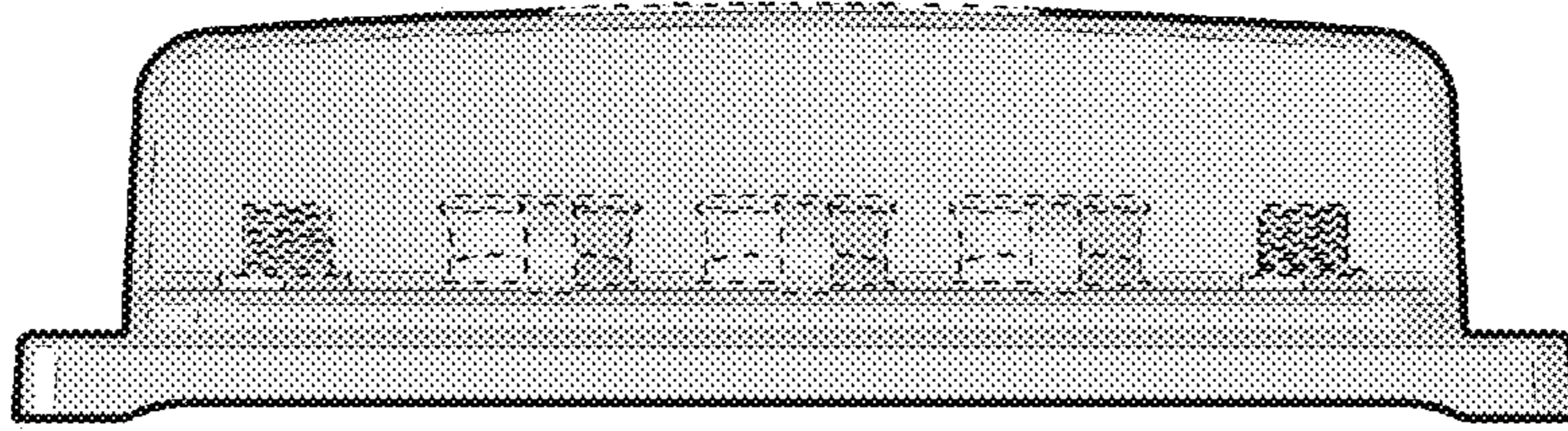




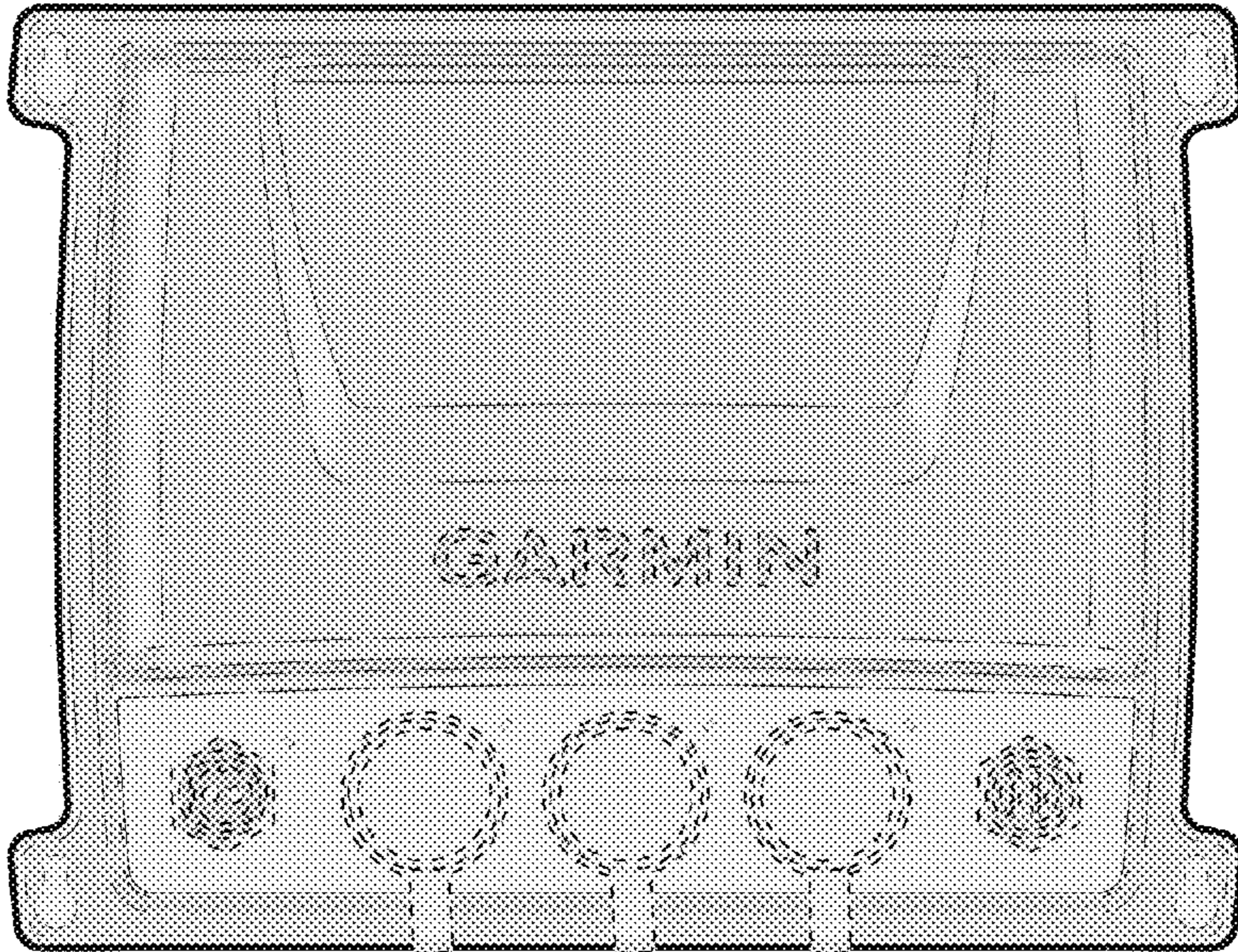


*Fig. 2*

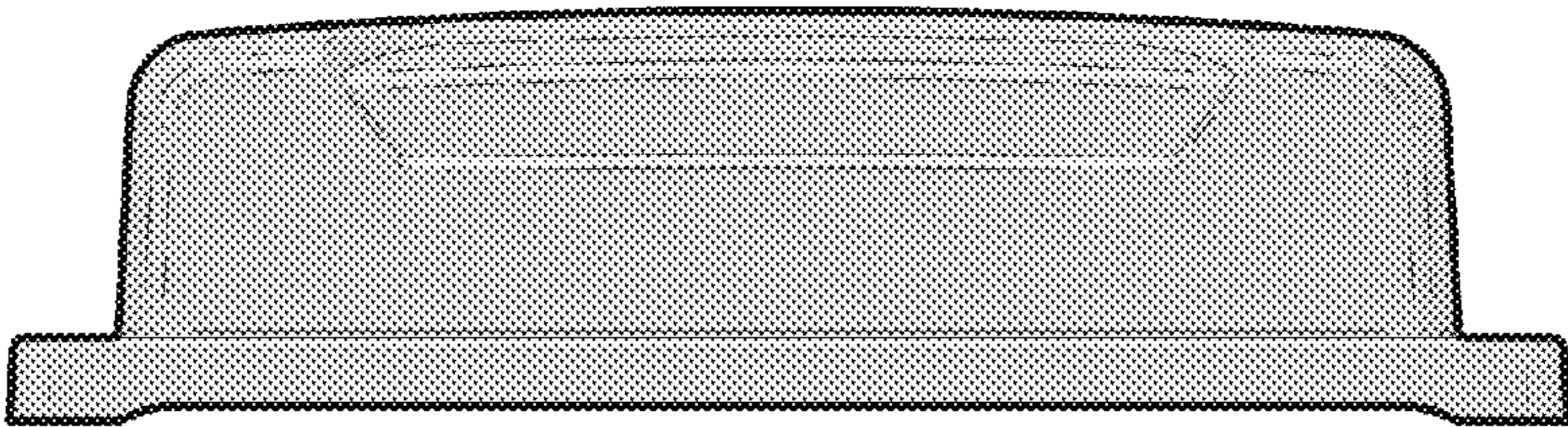




*Fig. 3*

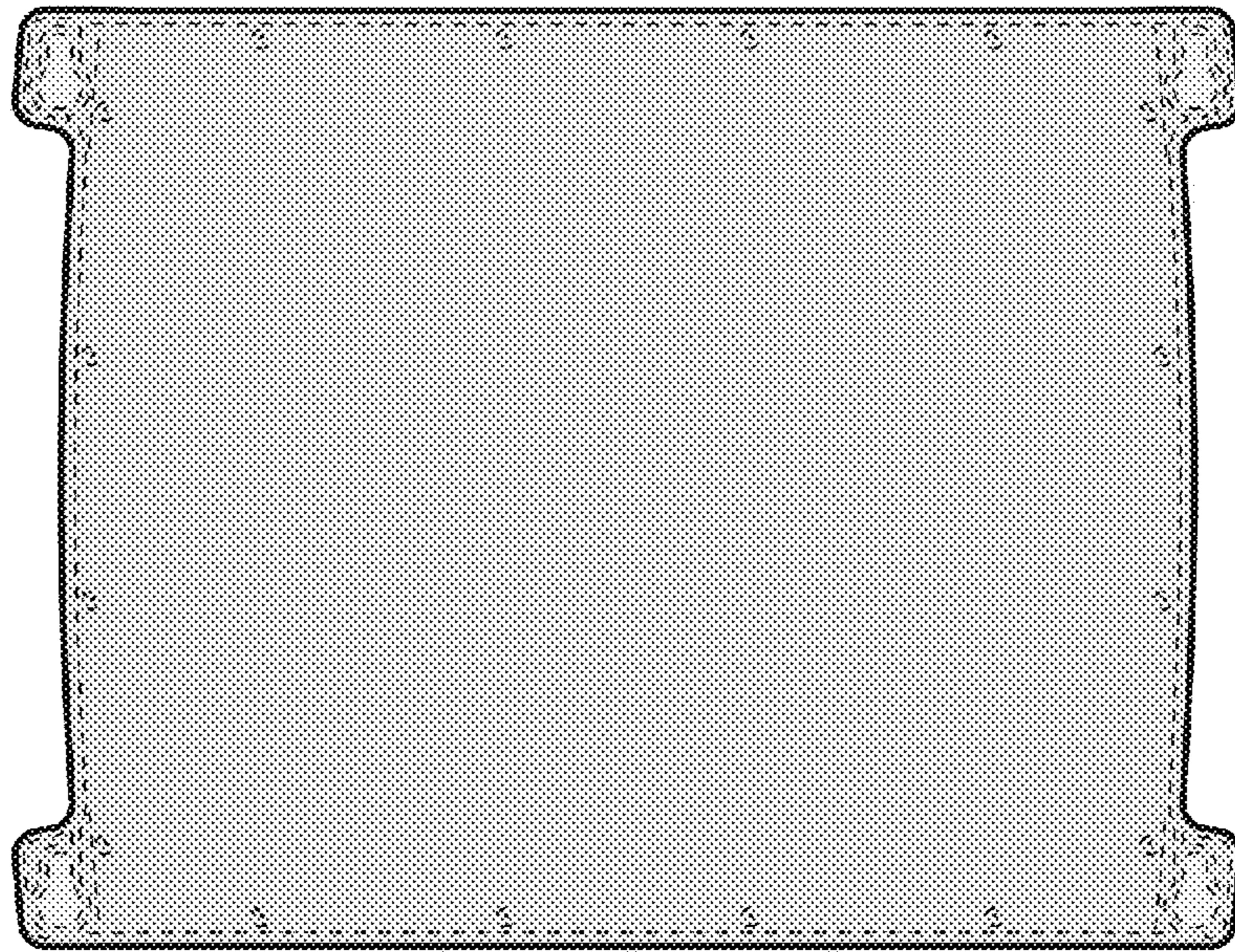


*Fig. 4*

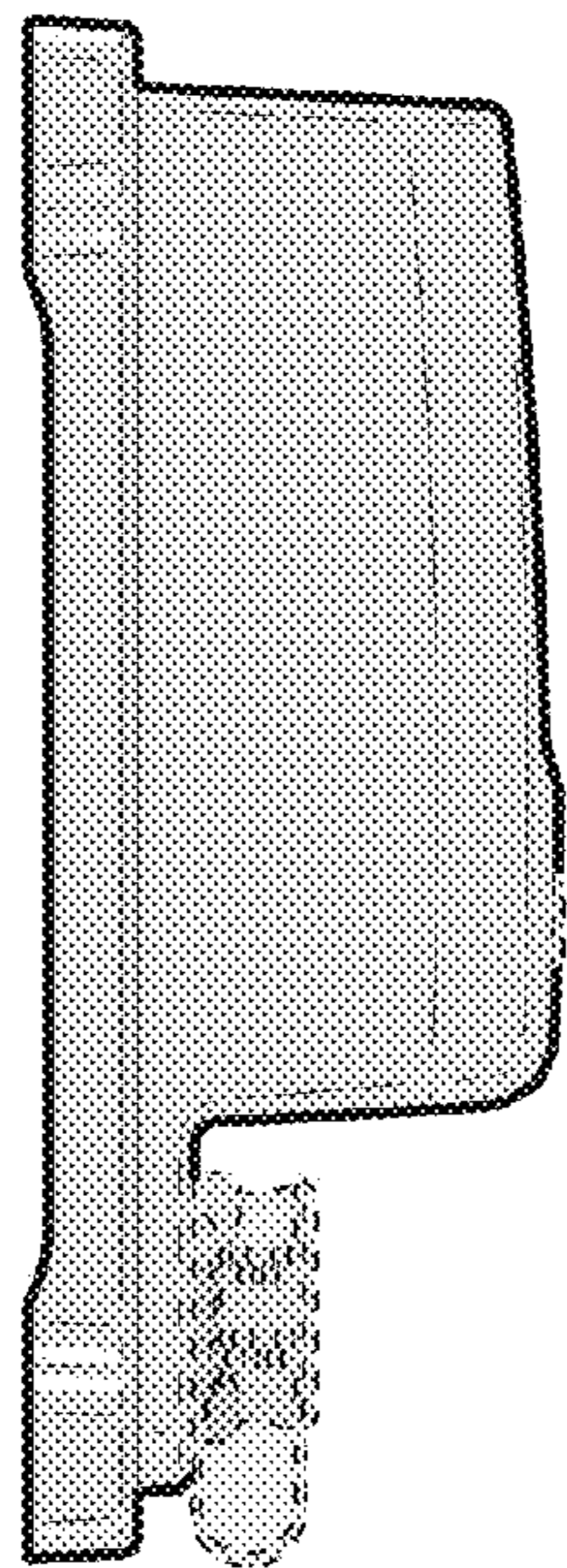


*Fig. 5*

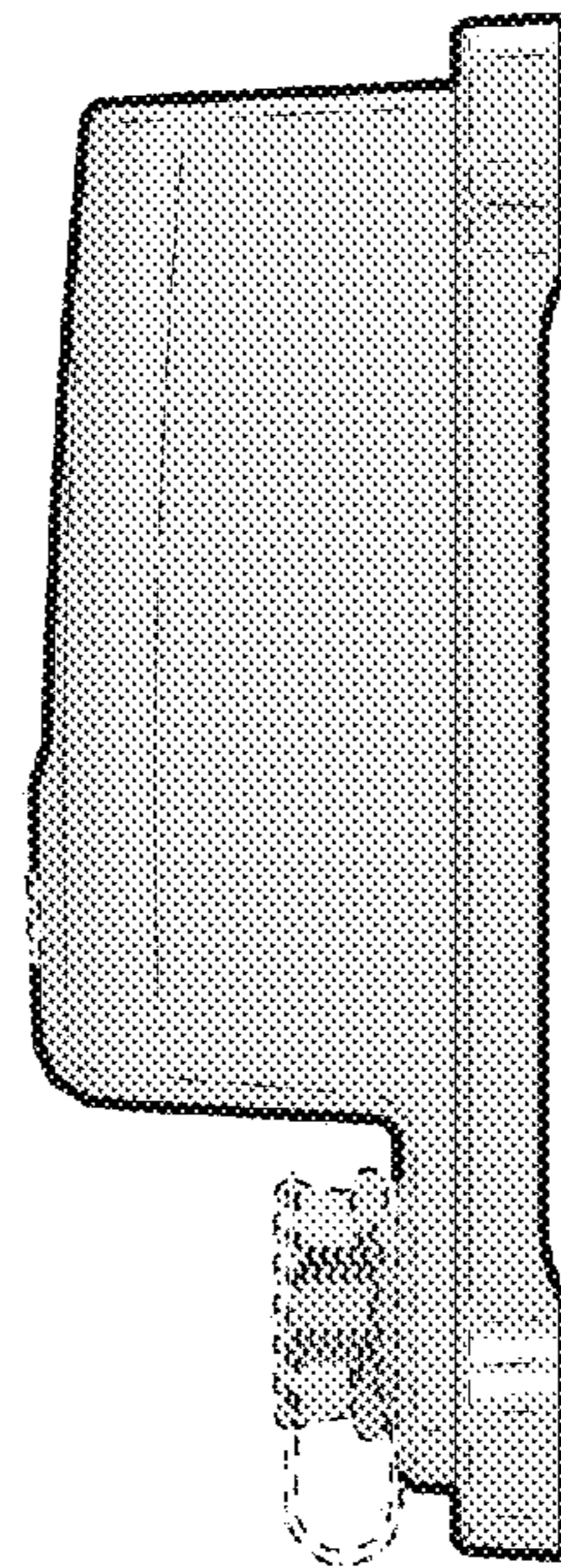




*Fig. 6*



*Fig. 7*



*Fig. 8*