



US00D719856S

(12) **United States Design Patent**
Dressel et al.

(10) **Patent No.:** **US D719,856 S**
(45) **Date of Patent:** **** Dec. 23, 2014**

(54) **MARKING DEVICE**

(71) Applicant: **Dressel Designs, LLC**, Everson, WA
(US)

(72) Inventors: **Bruce B. Dressel**, Aylett, VA (US);
Marshall V. C. Dressel, Everson, WA
(US)

(73) Assignee: **Dressel Designs, LLC**, Everson, WA
(US)

(**) Term: **14 Years**

(21) Appl. No.: **29/448,798**

(22) Filed: **Mar. 13, 2013**

Related U.S. Application Data

(62) Division of application No. 29/388,831, filed on Apr. 1, 2011, now Pat. No. Des. 680,887.

(51) **LOC (10) Cl.** **10-04**

(52) **U.S. Cl.**
USPC **D10/64**

(58) **Field of Classification Search**
CPC B25H 7/00; B25H 7/04; B25H 7/045;
B67B 7/24; B67B 7/28; E04C 2/52; E04F
21/00; E04F 21/003; E04F 21/185; H02G
1/00; H02G 3/00; H02G 3/10; H02G 3/12;
H02G 3/123; H02G 3/126; H02G 3/14;
H02G 2200/30
USPC D8/14, 45, 499; D10/61, 64-65;
33/528, 562, 565-566, 574-579, 644,
33/669

See application file for complete search history.

(56) **References Cited**

U.S. PATENT DOCUMENTS

D31,796 S 11/1899 Morgan

1,222,961 A 4/1917 Maker
1,260,226 A 3/1918 Maker
1,904,242 A 4/1933 Kieckhefer
2,775,812 A 1/1957 Mohr
2,788,151 A 4/1957 Shore
2,809,440 A 10/1957 Schlage
2,887,776 A 5/1959 Eisner

(Continued)

OTHER PUBLICATIONS

HandyMark Drywall Tool, retrieved Apr. 1, 2011, from URL=<http://www.handymark.net/>, 1 page.

(Continued)

Primary Examiner — Philip S Hyder

Assistant Examiner — Roselynn Cody

(74) *Attorney, Agent, or Firm* — Seed IP Law Group PLLC

(57) **CLAIM**

The ornamental design for a marking device, as shown and described.

DESCRIPTION

FIG. 1 is a top isometric view of an embodiment of a marking device.

FIG. 2 is a bottom isometric view of the marking device of FIG. 1.

FIG. 3 is a top plan view of the marking device of FIG. 1.

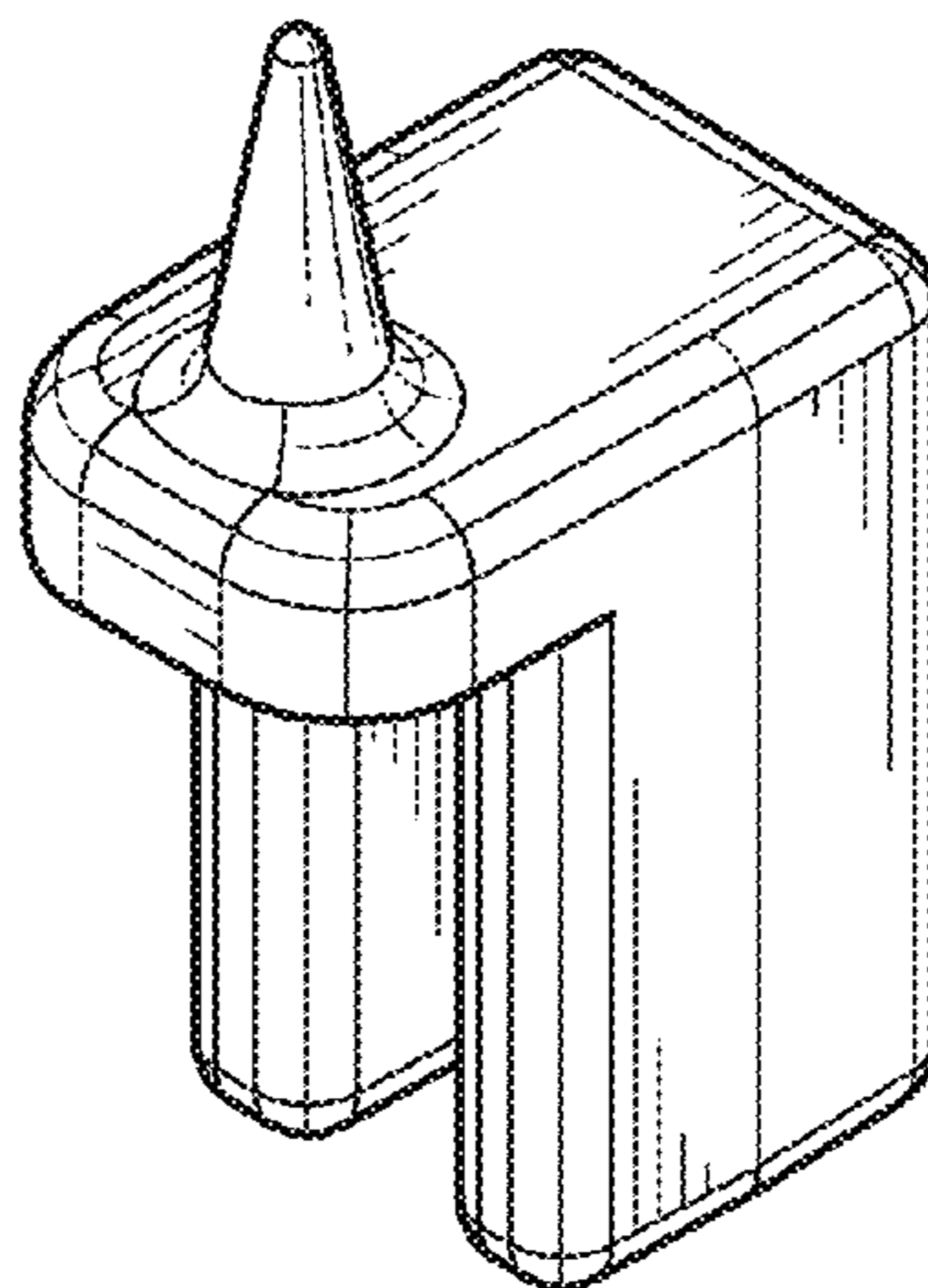
FIG. 4 is a bottom plan view of the marking device of FIG. 1.

FIG. 5 is a front elevational view of the marking device of FIG. 1.

FIG. 6 is a rear elevational view of the marking device of FIG. 1; and,

FIG. 7 is a right side elevational view of the marking device of FIG. 1. The left side elevational view is substantially a mirror image of the right side elevational view.

1 Claim, 2 Drawing Sheets



(56)

References Cited

U.S. PATENT DOCUMENTS

2,898,688 A 8/1959 Cottar
 3,888,013 A 6/1975 Benoit
 3,924,331 A 12/1975 Goosen
 3,940,857 A 3/1976 Giordano
 3,943,631 A 3/1976 Smugor
 D242,903 S 1/1977 Benoit
 D242,904 S 1/1977 Benoit
 4,059,905 A 11/1977 Wieting
 4,096,964 A 6/1978 Glick
 4,202,388 A 5/1980 Wieting
 4,209,103 A 6/1980 Glovier
 4,259,785 A 4/1981 Wortham
 4,589,211 A 5/1986 Policka
 4,605,139 A 8/1986 Dacar
 4,802,284 A 2/1989 Jackson
 4,837,942 A 6/1989 Watts
 4,907,711 A 3/1990 Stuchlik, III
 4,953,733 A 9/1990 Loscuito
 D315,316 S 3/1991 Reynolds et al.
 5,040,304 A 8/1991 Jackson
 5,103,695 A 4/1992 Dolle et al.
 5,136,788 A 8/1992 Jackson
 5,152,073 A 10/1992 Sloan
 5,157,844 A 10/1992 Mallison et al.
 5,172,483 A 12/1992 Yocono, Sr. et al.
 D374,320 S 10/1996 Grande
 6,055,736 A 5/2000 Gaston
 6,101,731 A 8/2000 Mesa

6,124,935 A 9/2000 Matthews
 6,289,594 B1 9/2001 Wrobbel
 D456,287 S 4/2002 Ferruggia
 6,403,883 B1 6/2002 Morgan et al.
 6,463,668 B1 10/2002 Williams
 6,467,174 B1 10/2002 Kotori
 6,511,269 B1 1/2003 Smasne
 6,643,019 B1 11/2003 Jeanneret
 D484,013 S 12/2003 Alverson, Jr.
 6,938,354 B2 9/2005 Worthington
 6,944,962 B2 9/2005 Tessel et al.
 6,952,887 B2 10/2005 Muchnik
 7,010,861 B2 * 3/2006 Nicholson 33/42
 7,210,241 B1 5/2007 Bree
 7,234,245 B2 6/2007 Tatum
 7,572,978 B1 8/2009 Keith, Jr.
 7,891,108 B1 2/2011 Cordobes
 D636,645 S 4/2011 Bell
 8,561,312 B2 * 10/2013 Dressel et al. 33/528
 2006/0010704 A1 1/2006 Galbreth
 2007/0283588 A1 12/2007 Gardner et al.
 2009/0057303 A1 3/2009 Oddsen et al.

OTHER PUBLICATIONS

Dressel Designs, Rocker's Spiked Box, Rocker's Stub-out Clip, Rocker's Corner Clip, Rocker's Spike and Rocker's Straight Clip, retrieved on Sep. 8, 2012, from URL=<http://www.dressel designs.com/Products.html>, 1 page.

* cited by examiner

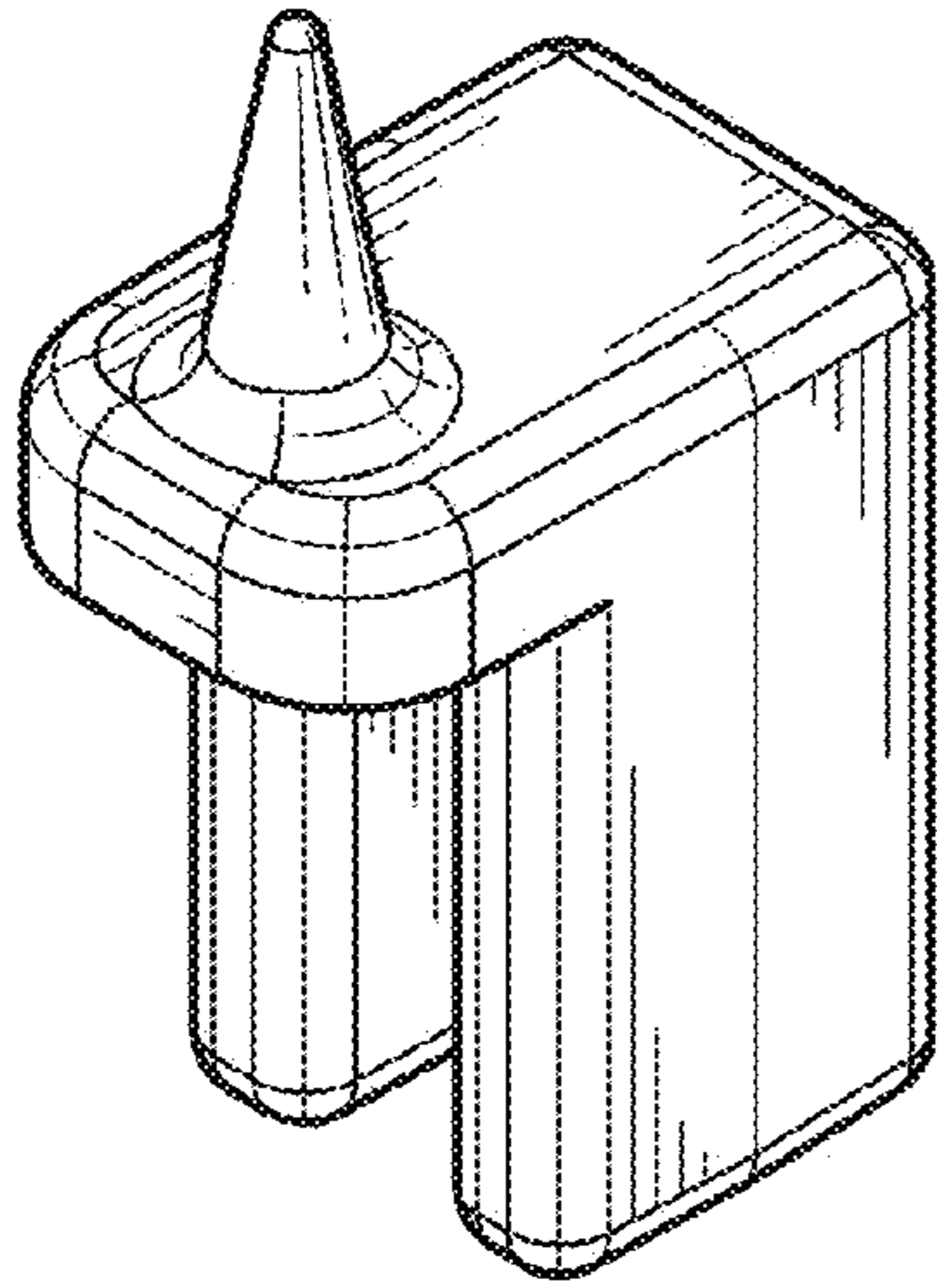


FIG. 1

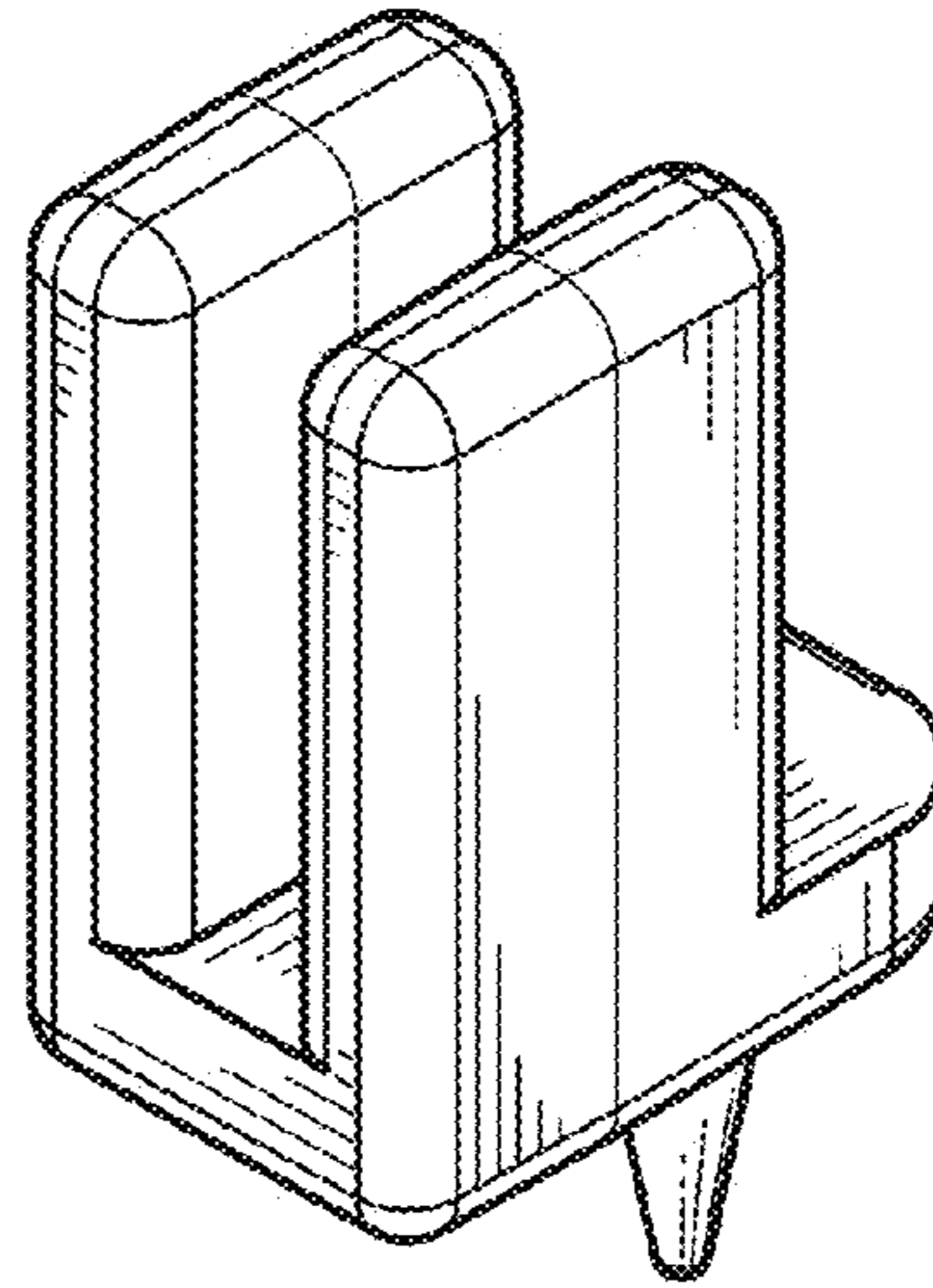


FIG. 2

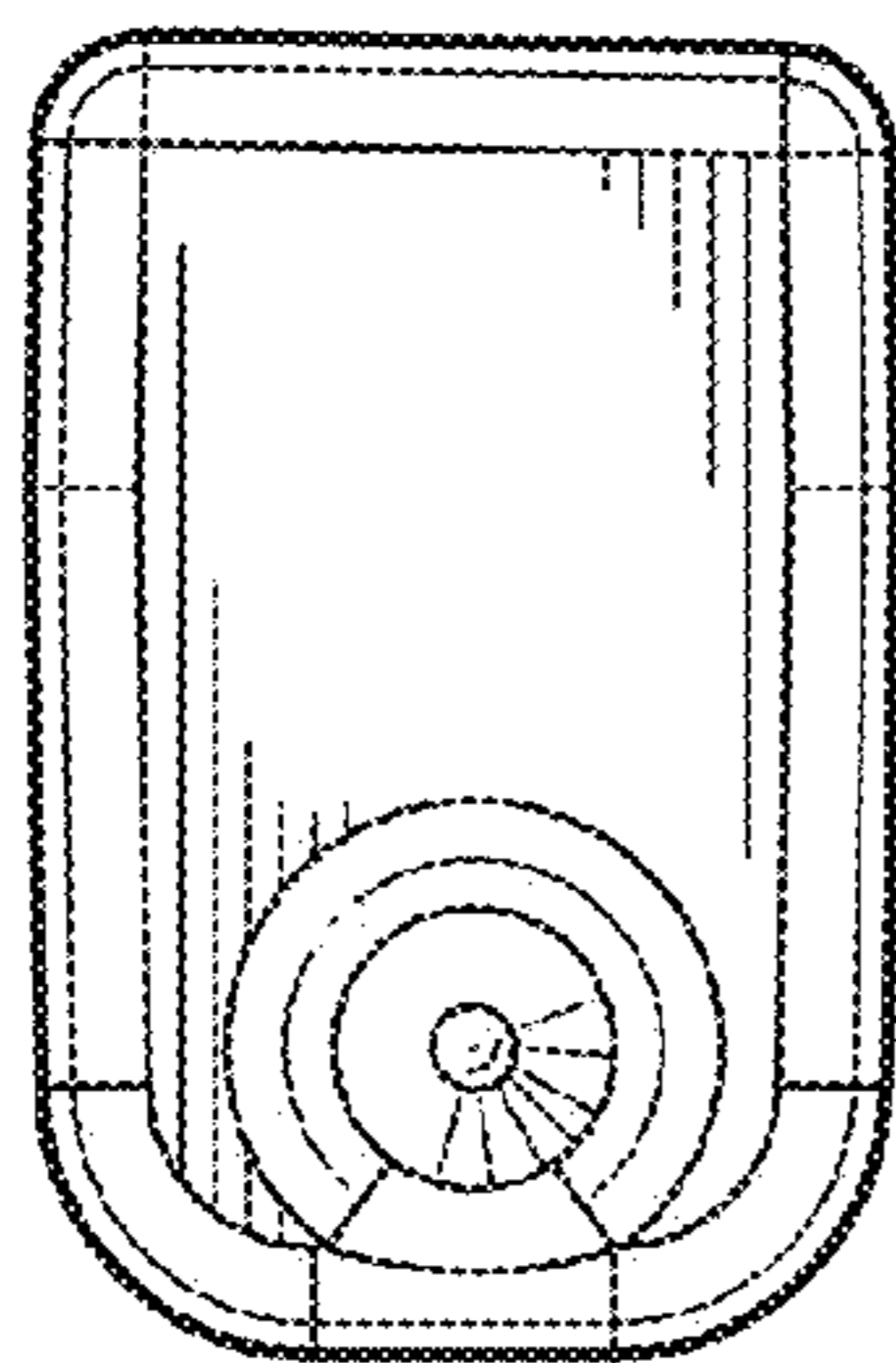


FIG. 3

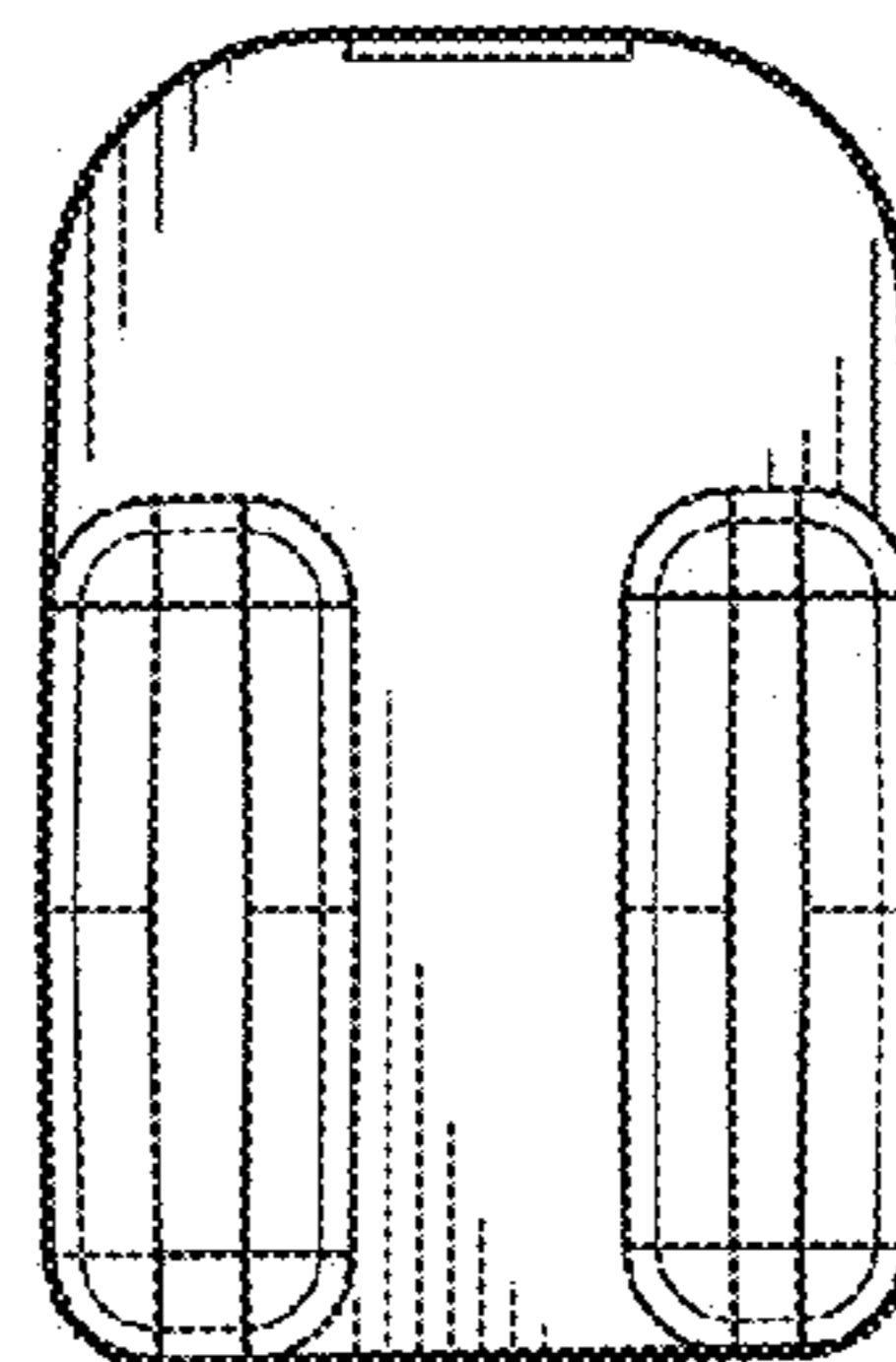


FIG. 4

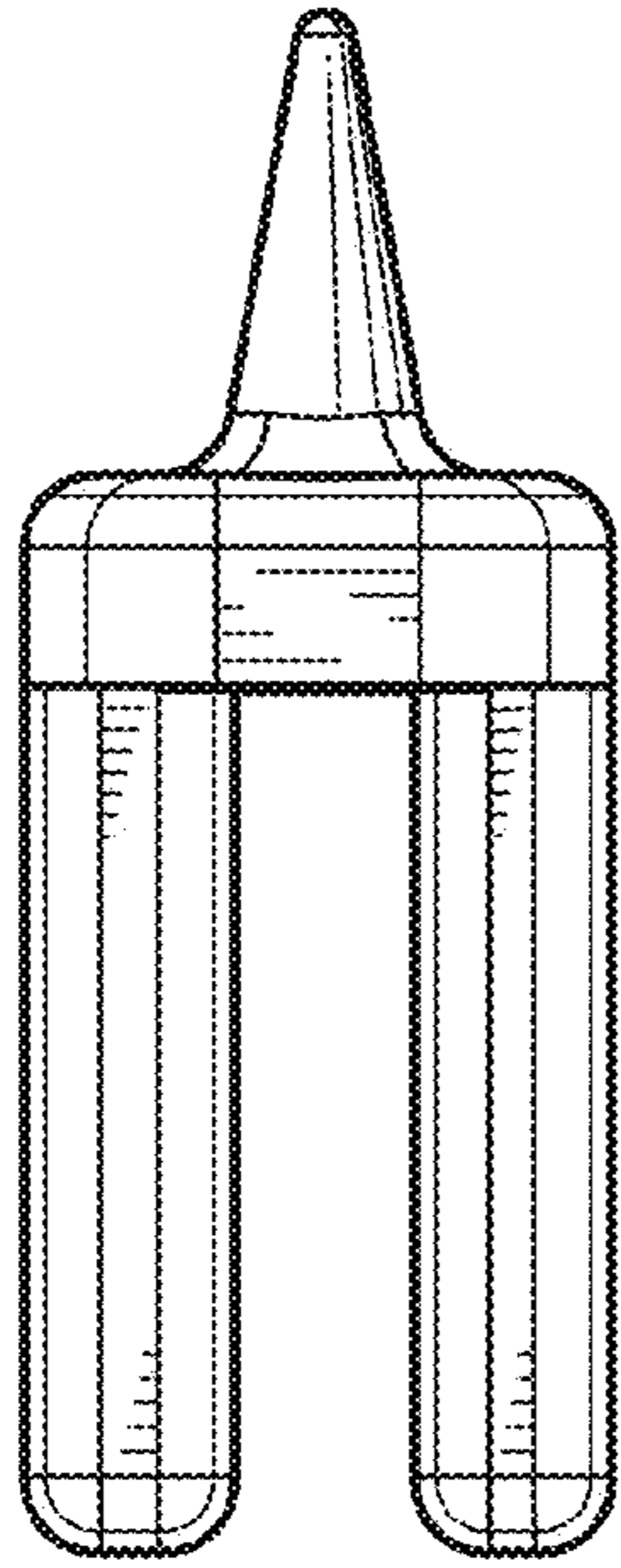


FIG. 5

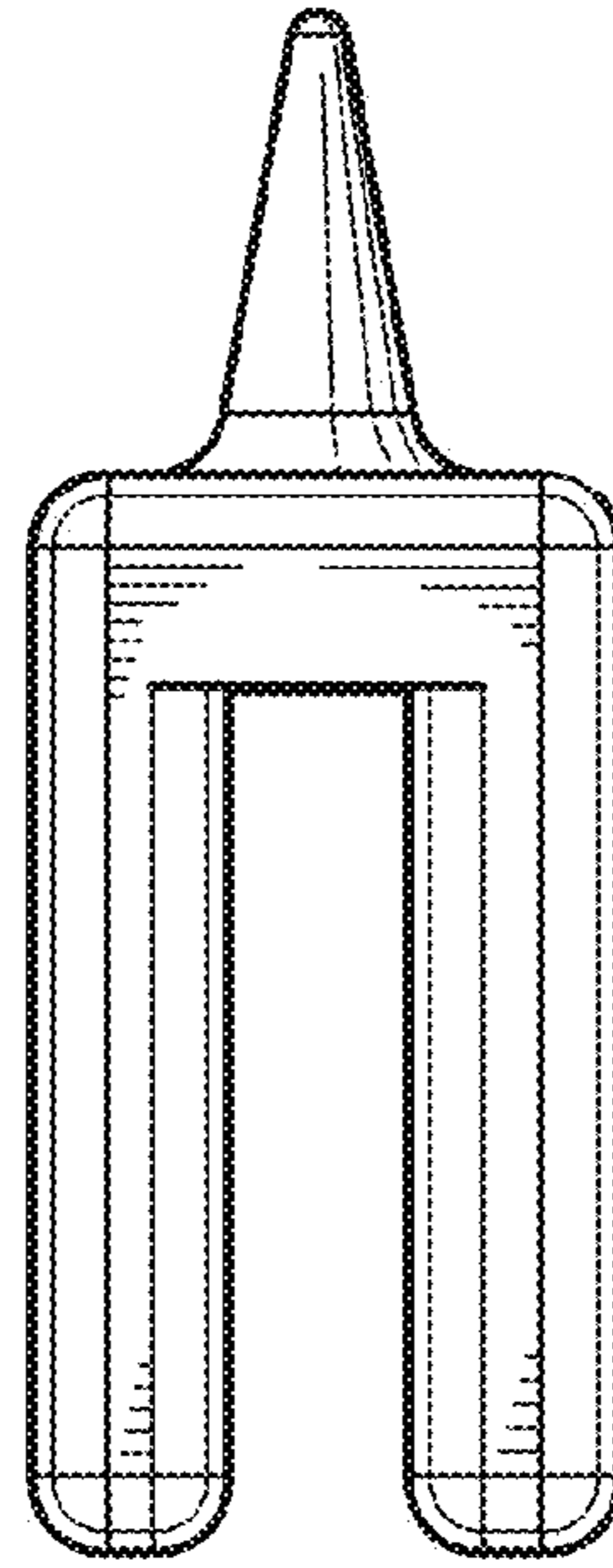


FIG. 6

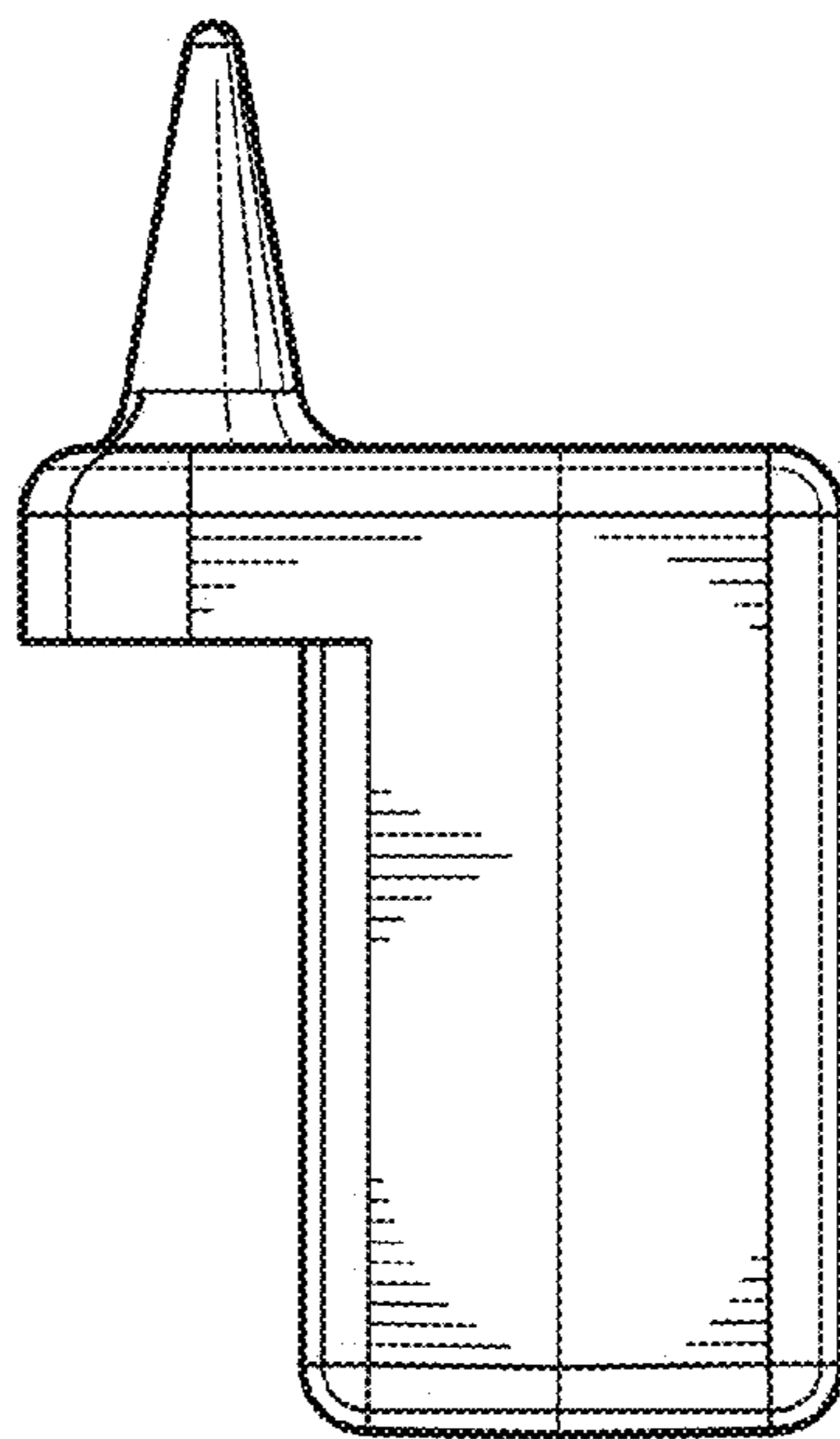


FIG. 7

UNITED STATES PATENT AND TRADEMARK OFFICE
CERTIFICATE OF CORRECTION

PATENT NO. : D719,856 S
APPLICATION NO. : 29/448798
DATED : December 23, 2014
INVENTOR(S) : Bruce B. Dressel et al.

Page 1 of 1

It is certified that error appears in the above-identified patent and that said Letters Patent is hereby corrected as shown below:

On the title page under Description, Figure 7, line 11:

“FIG. 7 is a right side elevational view of the marking device of FIG. 1. The left side elevational view is substantially a mirror image of the right side elevational view.” should read, --FIG. 7 is a right side elevational view of the marking device of FIG. 1.--.

Signed and Sealed this
Seventeenth Day of May, 2016



Michelle K. Lee
Director of the United States Patent and Trademark Office